



US00D658984S

(12) **United States Design Patent**
Pauser et al.

(10) **Patent No.:** **US D658,984 S**

(45) **Date of Patent:** **** May 8, 2012**

(54) **CLOSING CAP**

(75) Inventors: **Helmut Pauser**, Diessen (DE); **Stefan Eckstein**, Munich (DE)

(73) Assignee: **3M Innovative Properties Company**, Saint Paul, MN (US)

(**) Term: **14 Years**

(21) Appl. No.: **29/380,765**

(22) Filed: **Dec. 10, 2010**

(30) **Foreign Application Priority Data**

Jun. 14, 2010 (EM) 1219414-1/6

(51) **LOC (9) Cl.** **09-07**

(52) **U.S. Cl.** **D9/435; D9/454**

(58) **Field of Classification Search** D9/695,
D9/659, 529, 504, 503, 454, 452, 451, 447,
D9/445, 444, 443, 441, 439, 435; D8/310,
D8/307, 7; D24/224, 222; D21/388, 389;
220/915, 376, 288, 212, 22; 215/329, 316,
215/228, 218, 200

See application file for complete search history.

(56) **References Cited**

U.S. PATENT DOCUMENTS

D19,835 S *	5/1890	Hawn	D9/454
D56,108 S *	8/1920	Rustant	D9/439
D321,829 S *	11/1991	Iazzetta	D9/452
D358,294 S *	5/1995	Letica	D9/445
D407,977 S *	4/1999	Farris	D9/452
D467,769 S *	12/2002	Riendeau	D9/447

* cited by examiner

Primary Examiner — Susan Bennett Hattan

(74) *Attorney, Agent, or Firm* — Pamela L. Stewart

(57) **CLAIM**

The ornamental design for a closing cap, as shown and described.

DESCRIPTION

FIG. 1 is a perspective view of the new design for a closing cap.

FIG. 2 is a front view thereof;

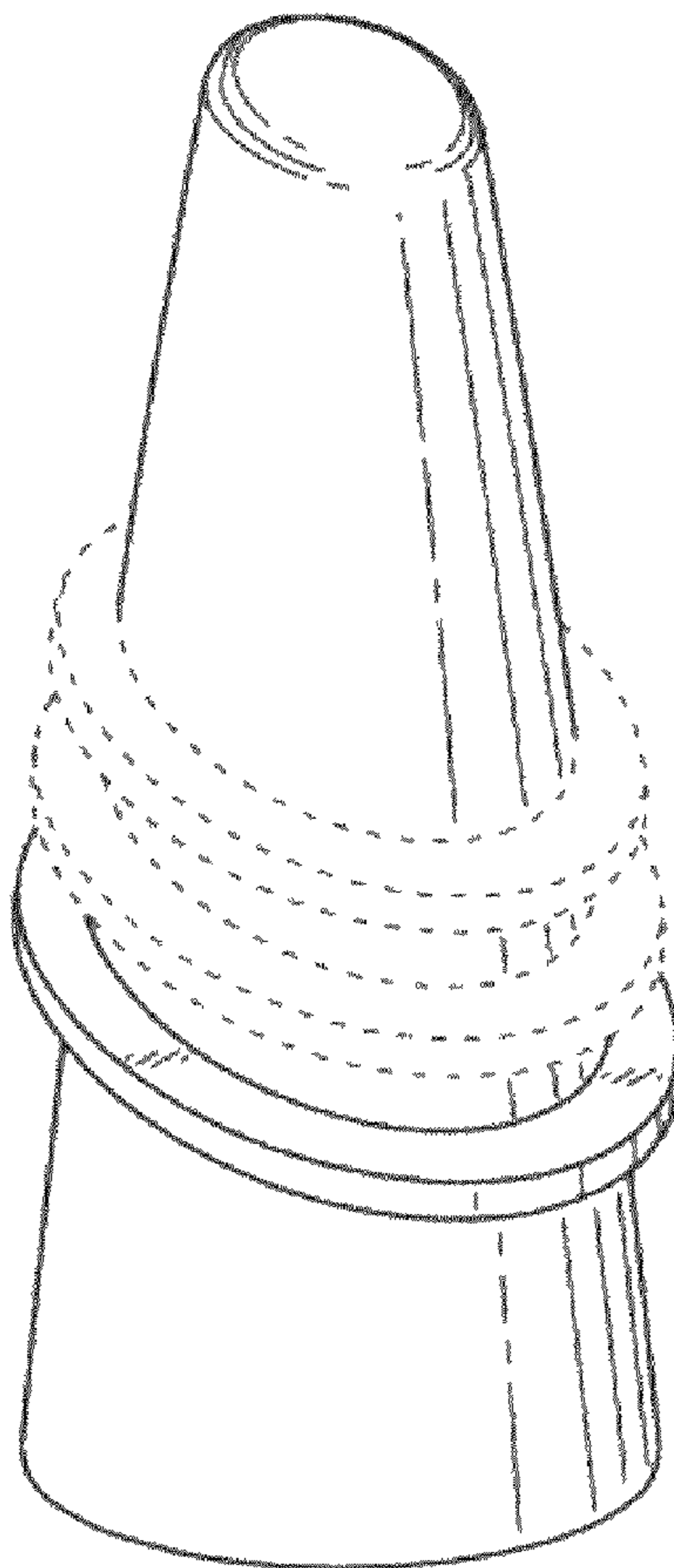
FIG. 3 is a back view thereof;

FIG. 4 is a side view thereof;

FIG. 5 is a top view thereof; and,

FIG. 6 is a bottom view thereof.

1 Claim, 2 Drawing Sheets



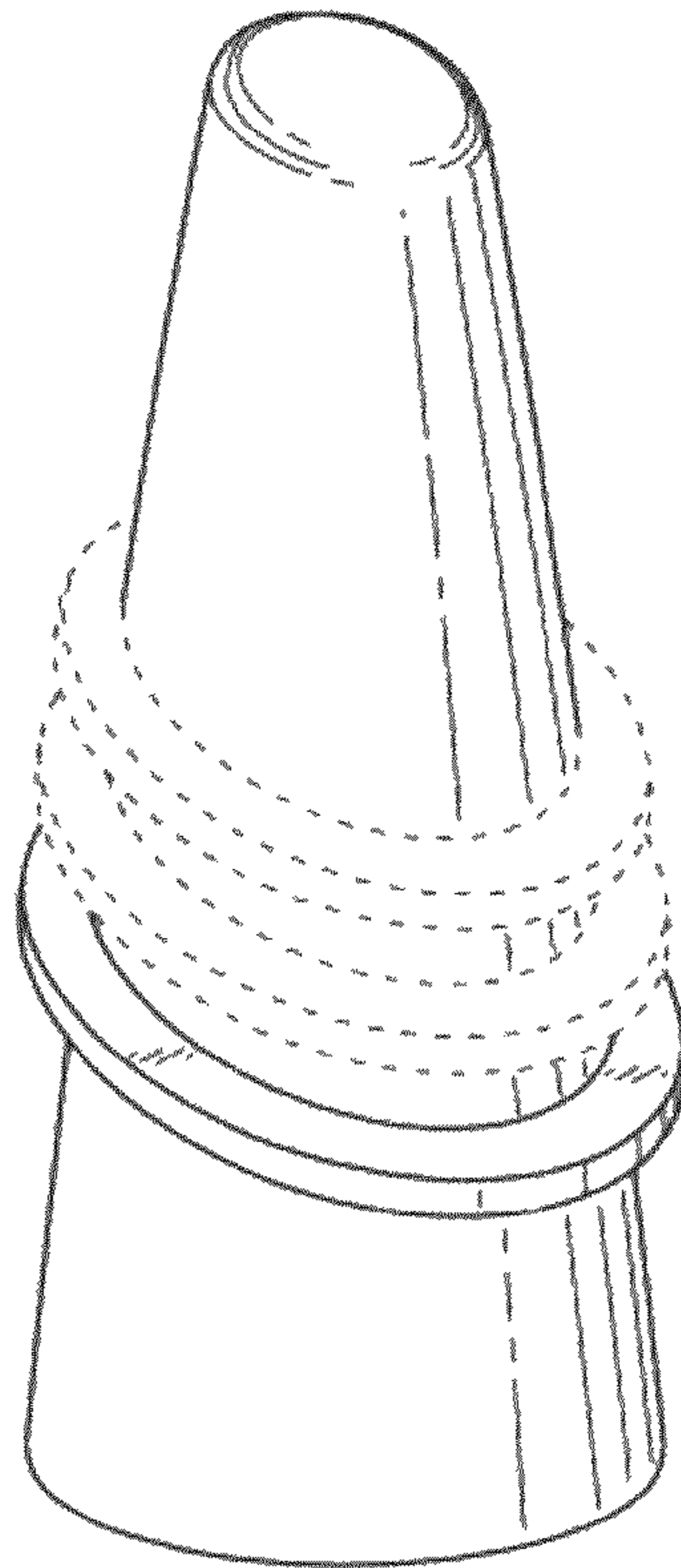


Fig. 1

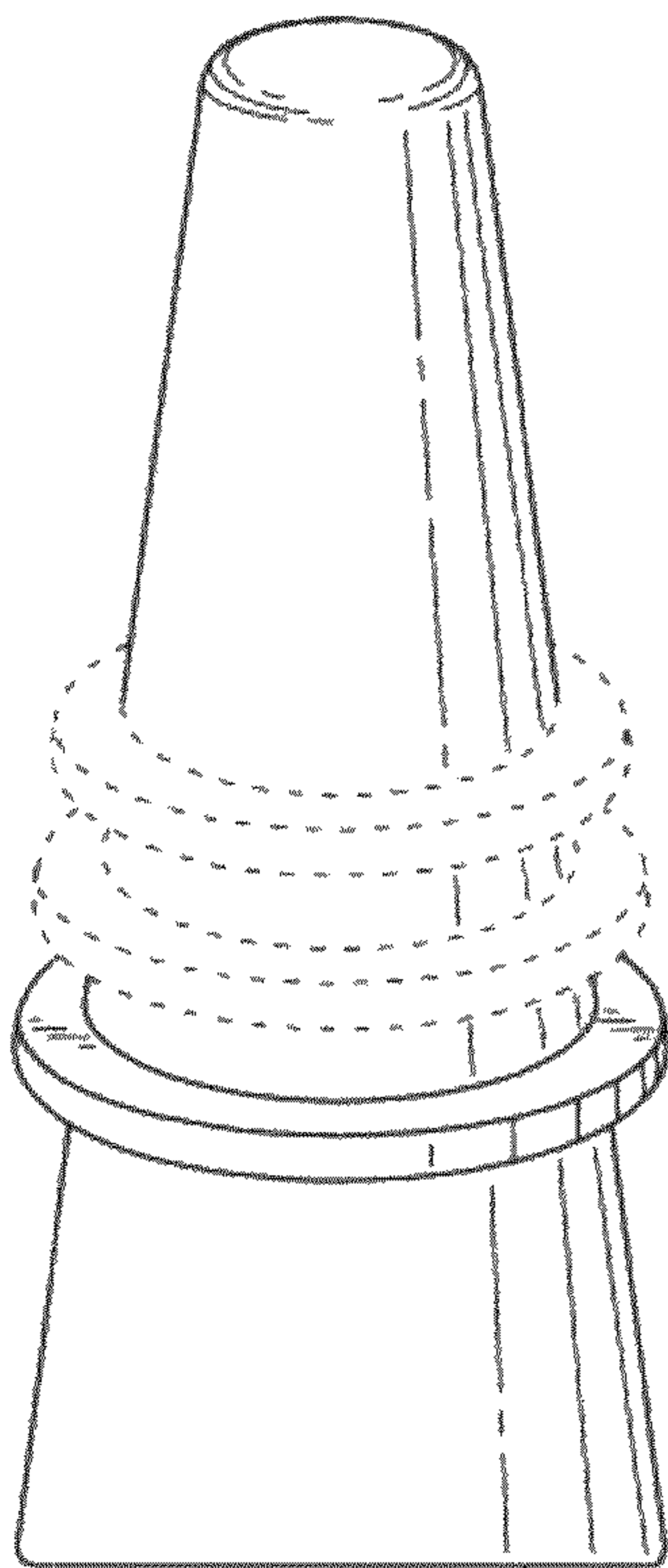


Fig. 2

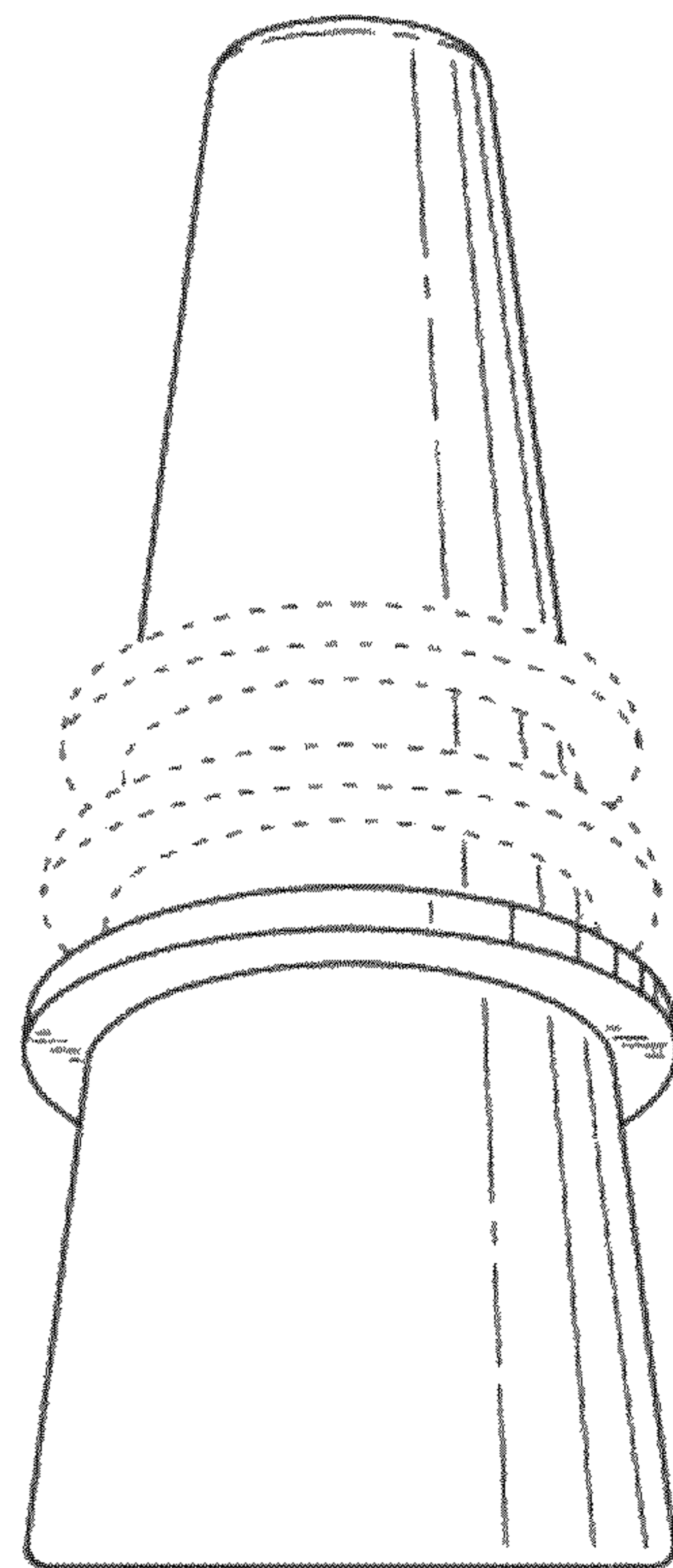


Fig. 3

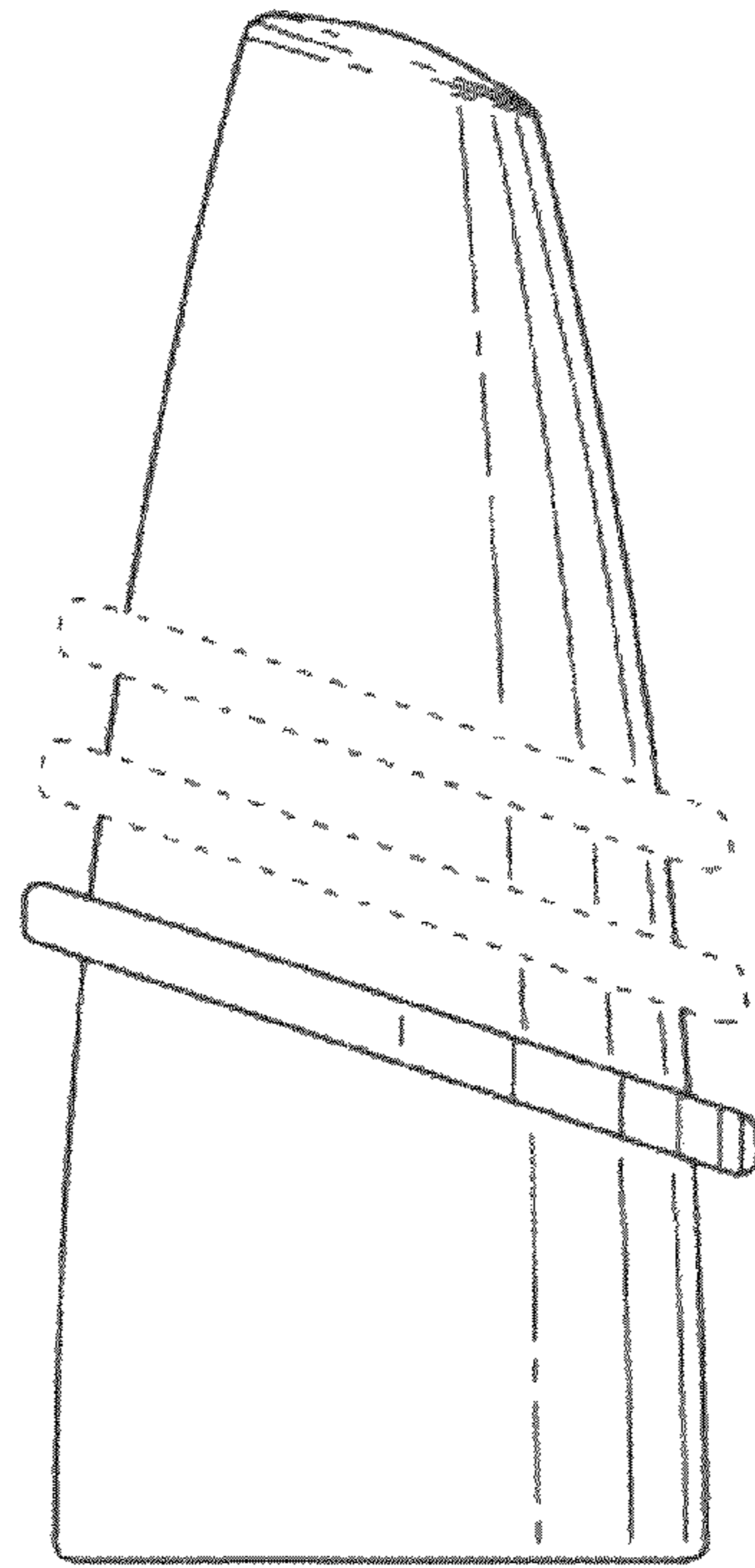


Fig. 4

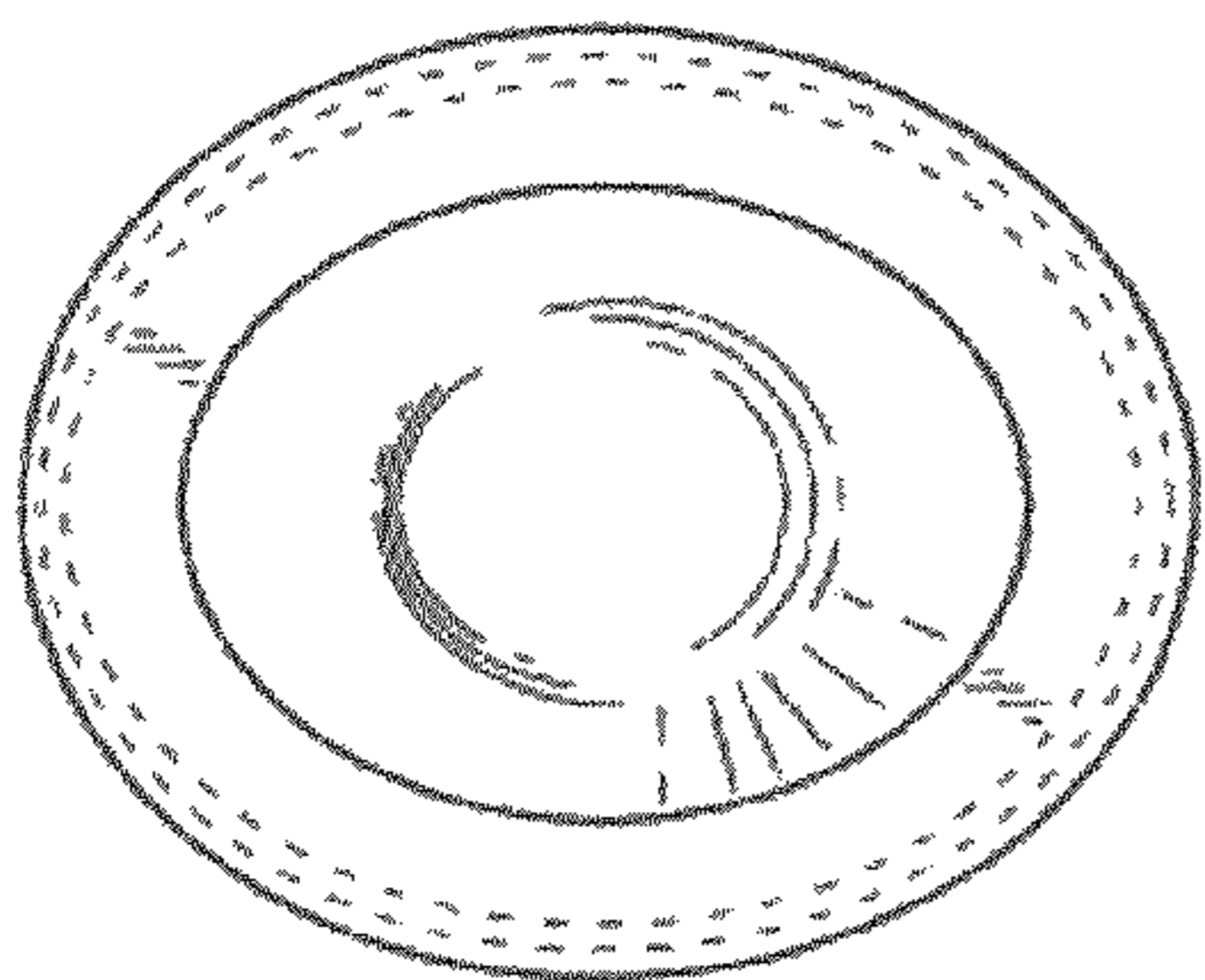


Fig. 5

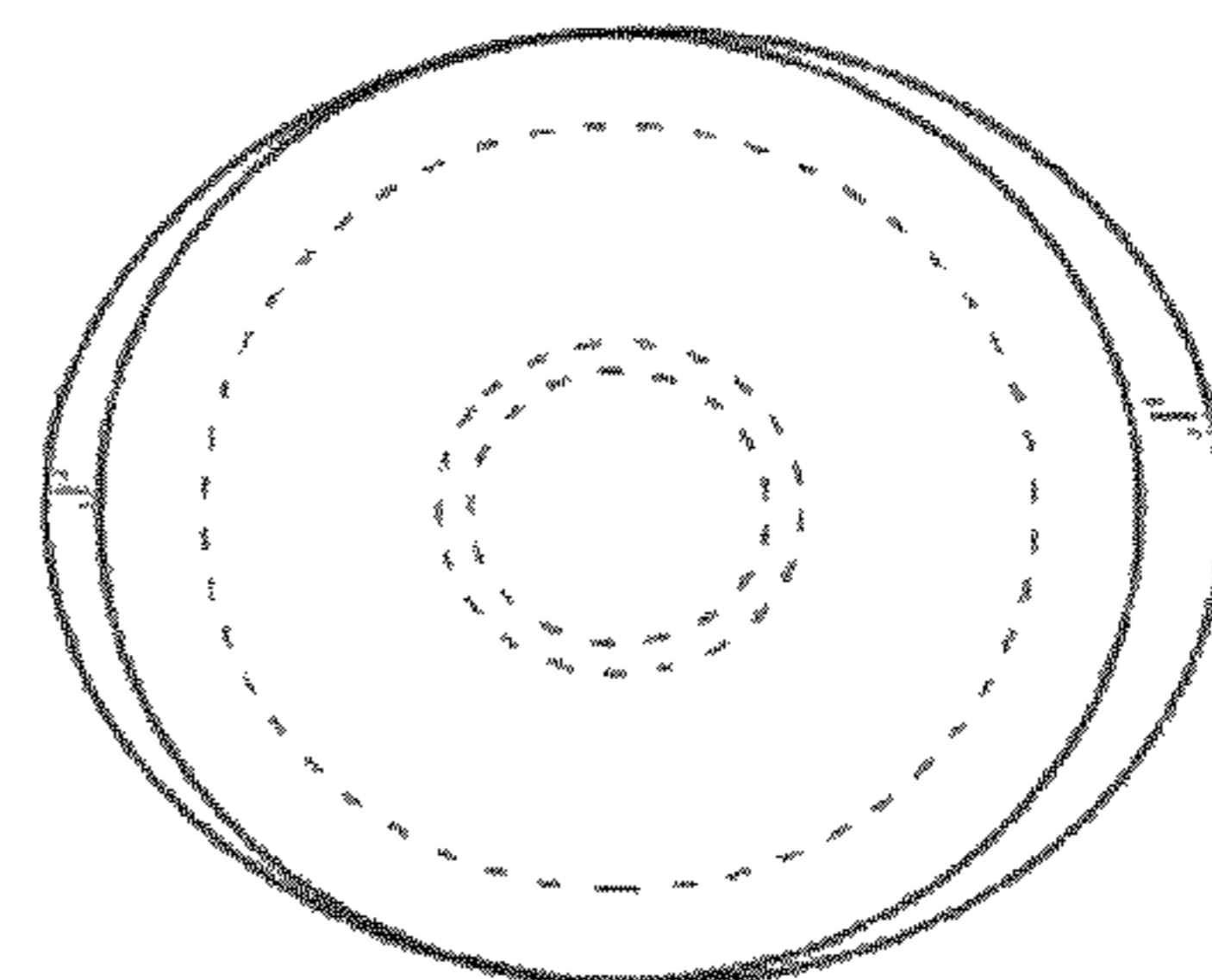


Fig. 6