



US00D658979S

(12) **United States Design Patent**  
**Gordon et al.**

(10) **Patent No.:** **US D658,979 S**  
(45) **Date of Patent:** **\*\* May 8, 2012**

(54) **CONSUMER GOODS BASKET**

(75) Inventors: **Andrew D. Gordon**, Cincinnati, OH (US); **Dennis C. Heydorn**, Cincinnati, OH (US); **John W. Stevie**, Taylor Mill, KY (US); **Allie M. Riley**, Hebron, KY (US); **Tami Wallace**, Union, KY (US)

(73) Assignee: **Fresh Express Incorporated**, Salinas, CA (US)

(\*\*) Term: **14 Years**

(21) Appl. No.: **29/380,425**

(22) Filed: **Dec. 3, 2010**

(51) **LOC (9) Cl.** ..... **09-03**

(52) **U.S. Cl.** ..... **D9/418; D9/426; D9/414**

(58) **Field of Classification Search** ..... D9/681, D9/414-434, 456, 499; D3/272, 302, 306; 206/550, 551, 521, 521.1, 521.2, 591, 423; 220/4.21-4.24, 4.26, 485, 491, 494, 495, 220/604, 607, 660, 668, 669, 675, 676, 913; 229/106, 114, 119, 120, 182.1, 406, 407, 229/901, 902, 906, 927, 938, 125.13, 125.19, 229/125.26, 125.29, 160.2, 164; 217/122-124  
See application file for complete search history.

(56) **References Cited**

**U.S. PATENT DOCUMENTS**

170,920	A	*	12/1875	Tuck	.....	229/114
1,982,912	A	*	12/1934	Graves	.....	217/122
D103,666	S	*	3/1937	Brogden	.....	D9/431
D158,479	S	*	5/1950	Long	.....	D3/314
D158,827	S	*	5/1950	Woock	.....	D3/272
D165,610	S	*	1/1952	Sandberg	.....	D32/55
D175,138	S	*	7/1955	Wright	.....	D9/424
D234,456	S	*	3/1975	Dearth et al.	.....	D9/423
3,900,129	A	*	8/1975	Scholz	.....	220/784
D241,723	S	*	10/1976	Sharp	.....	D3/272
D241,820	S	*	10/1976	Jewell	.....	D9/423
D253,456	S	*	11/1979	Payne	.....	D9/426
4,723,700	A	*	2/1988	Wischusen, III	.....	229/117.33
D302,620	S		8/1989	Quong		

D304,908	S	*	12/1989	Natori	.....	D9/423
D323,114	S	*	1/1992	Sheehan	.....	D9/420
D425,704	S		5/2000	Zamecnik		
D450,925	S		11/2001	Zamecnik		
D608,073	S		1/2010	Alves		
D611,709	S		3/2010	Ceravolo		
D616,201	S		5/2010	Bui		
D616,255	S		5/2010	Goodman		

**FOREIGN PATENT DOCUMENTS**

EM 000935358-0001 \* 8/2008

\* cited by examiner

*Primary Examiner* — Catherine Tuttle

(74) *Attorney, Agent, or Firm* — Kilpatrick Townsend & Stockton LLP

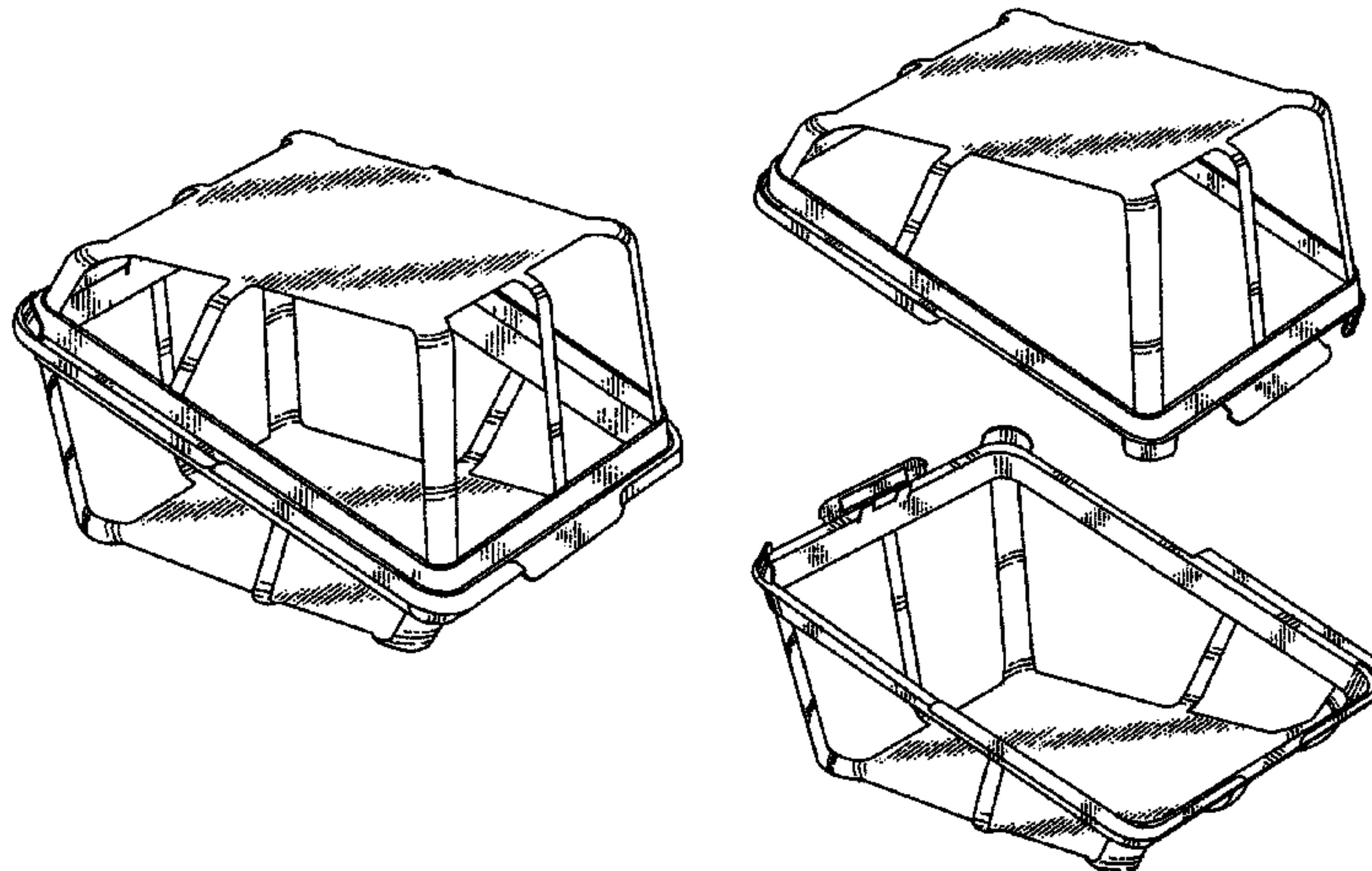
(57) **CLAIM**

The ornamental design for a consumer goods basket, as shown and described.

**DESCRIPTION**

FIG. 1 is a perspective view of a consumer goods basket showing our new design;  
 FIG. 2 is a left side elevational view thereof;  
 FIG. 3 is a right side elevational view thereof;  
 FIG. 4 is a top plan view thereof;  
 FIG. 5 is a bottom plan view thereof;  
 FIG. 6 is a front elevational view thereof;  
 FIG. 7 is a rear elevational view thereof;  
 FIG. 8 is an exploded view of the consumer goods basket of FIG. 1;  
 FIG. 9 is a perspective view of one of the twin portions of the consumer goods basket of FIG. 1, shown separately for separately for clarity and completeness of disclosure;  
 FIG. 10 is a left side elevational view thereof;  
 FIG. 11 is a right side elevational view thereof;  
 FIG. 12 is a top plan view thereof;  
 FIG. 13 is a bottom plan view thereof;  
 FIG. 14 is a front elevational view thereof; and,  
 FIG. 15 is a rear elevational view thereof.

**1 Claim, 9 Drawing Sheets**



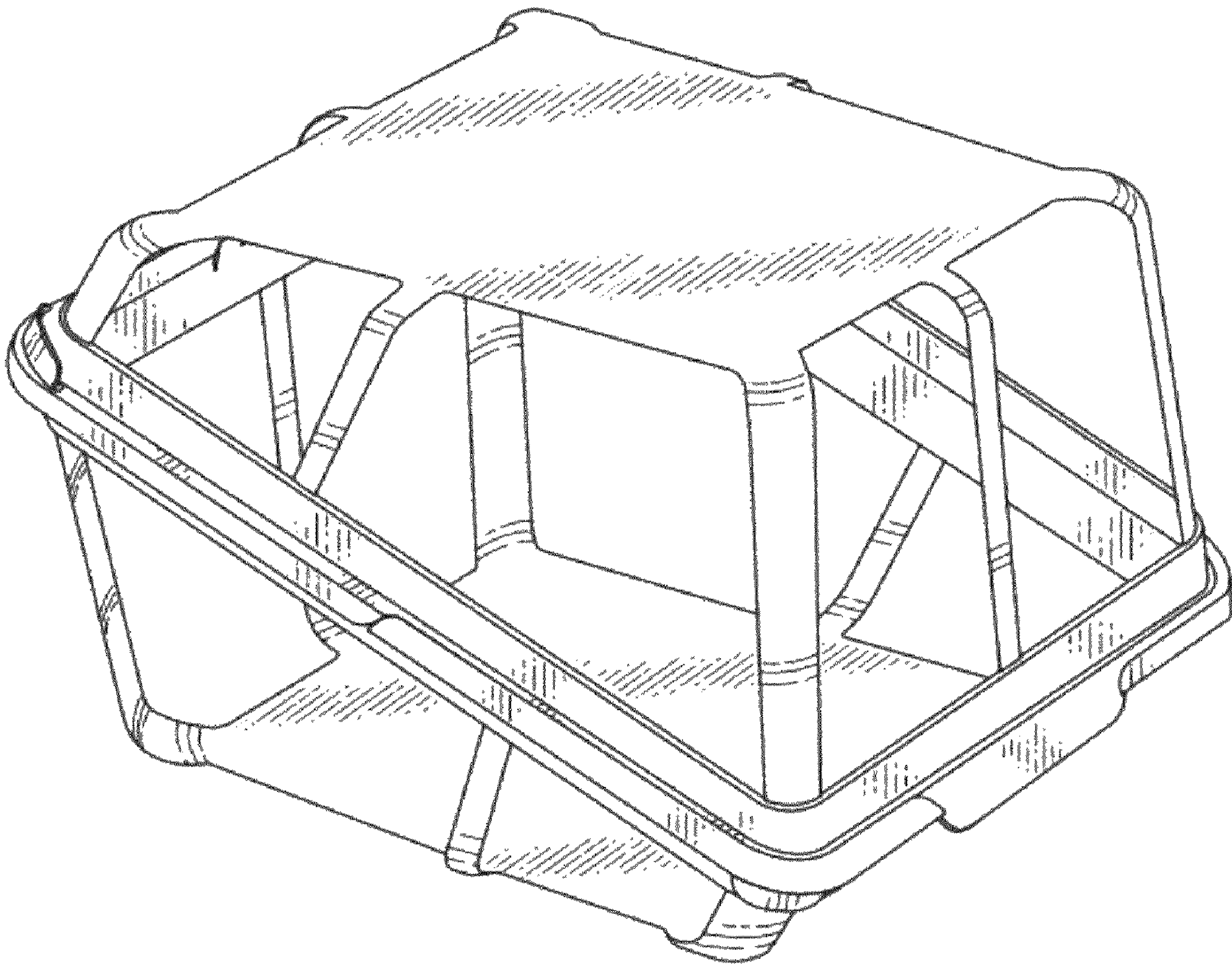


FIG. 1



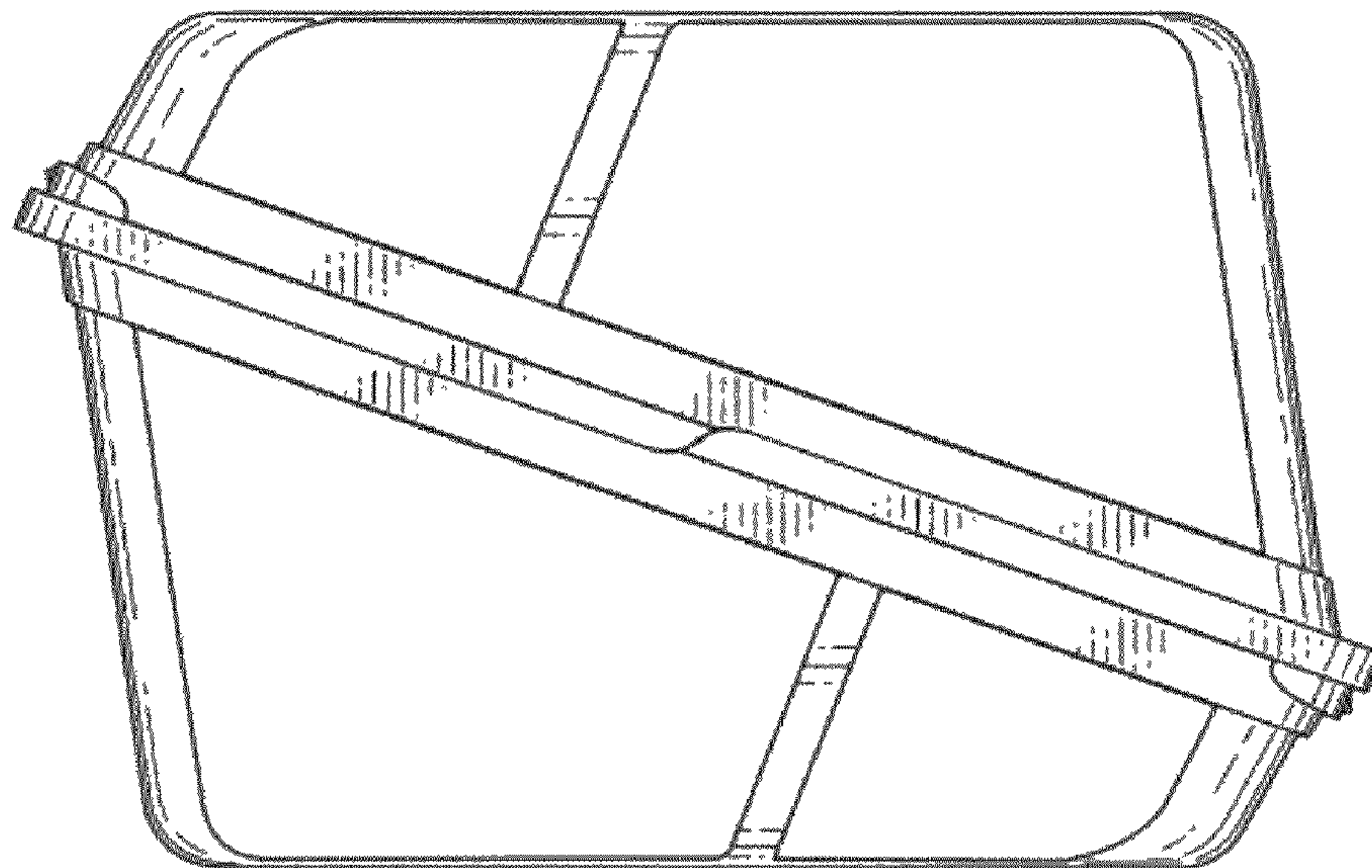


FIG. 2

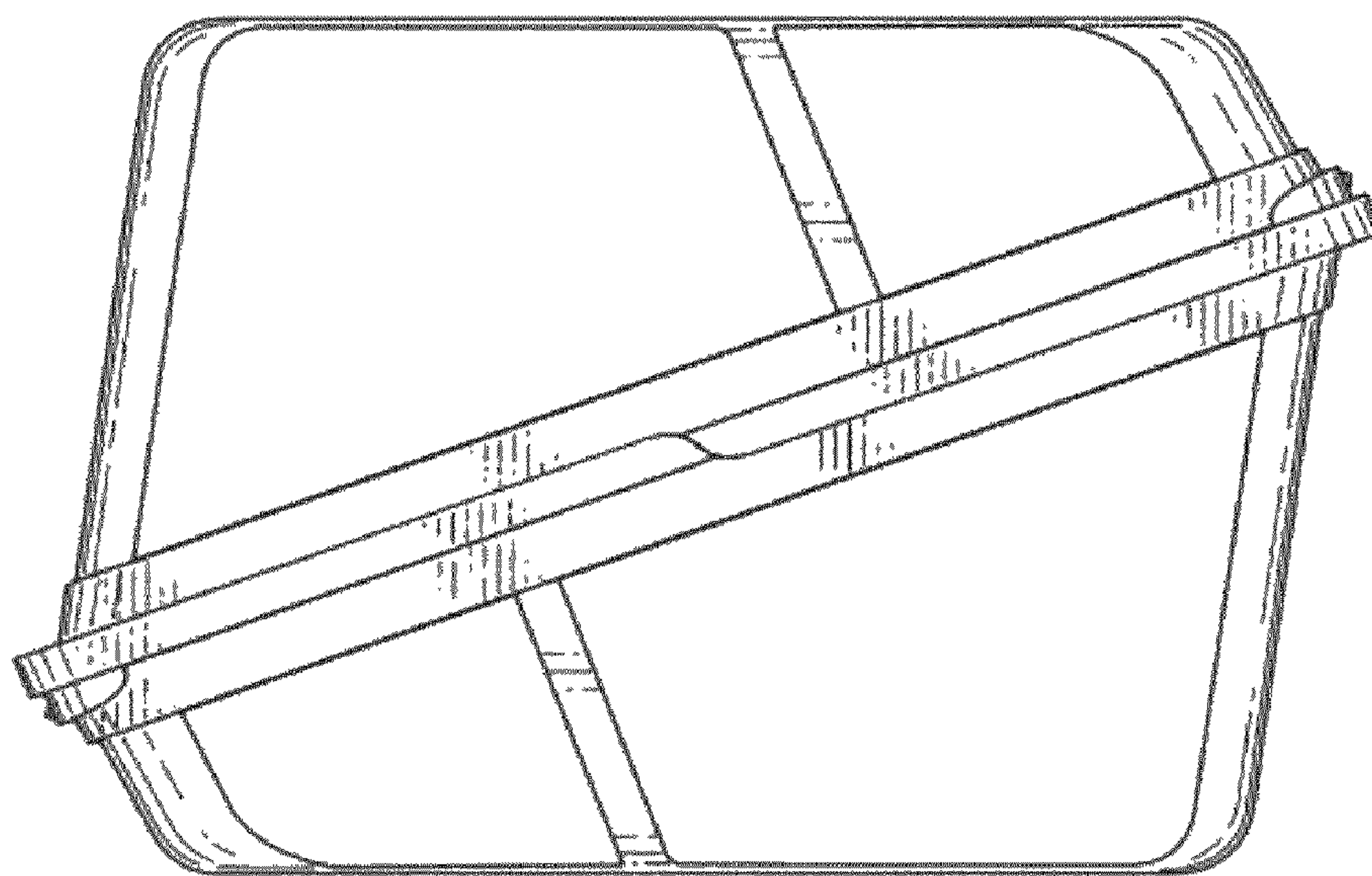


FIG. 3

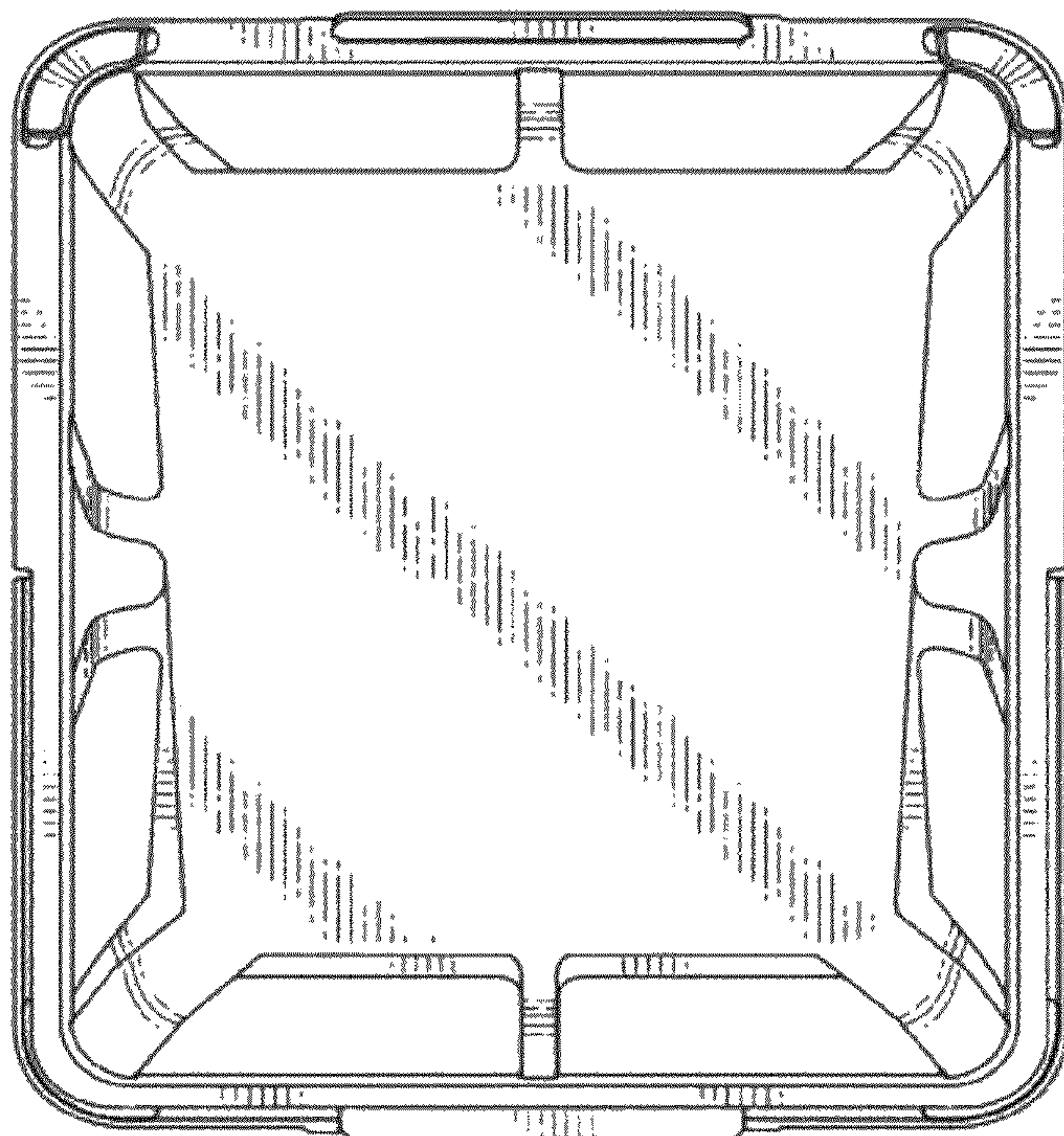


FIG. 4

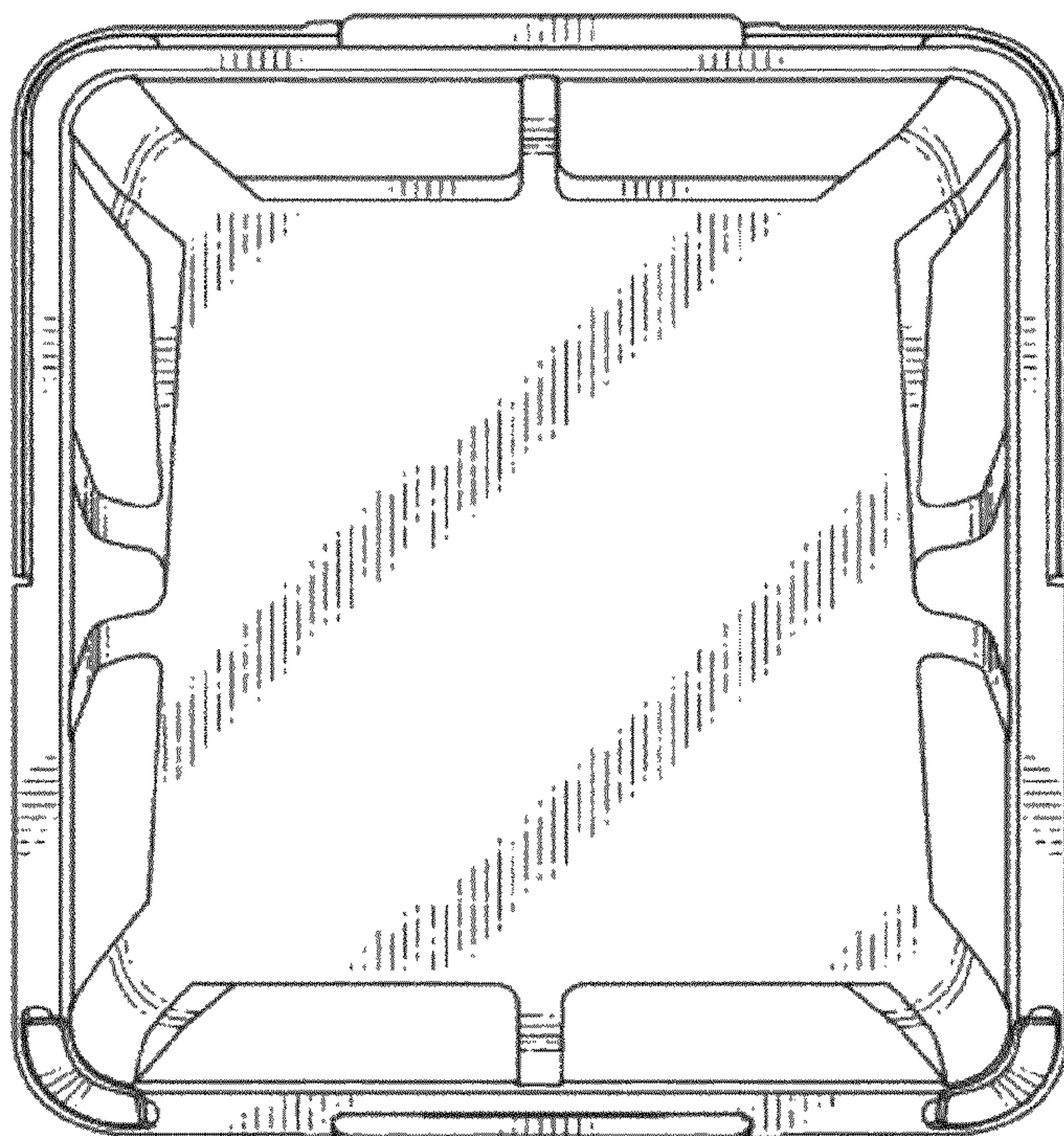


FIG. 5



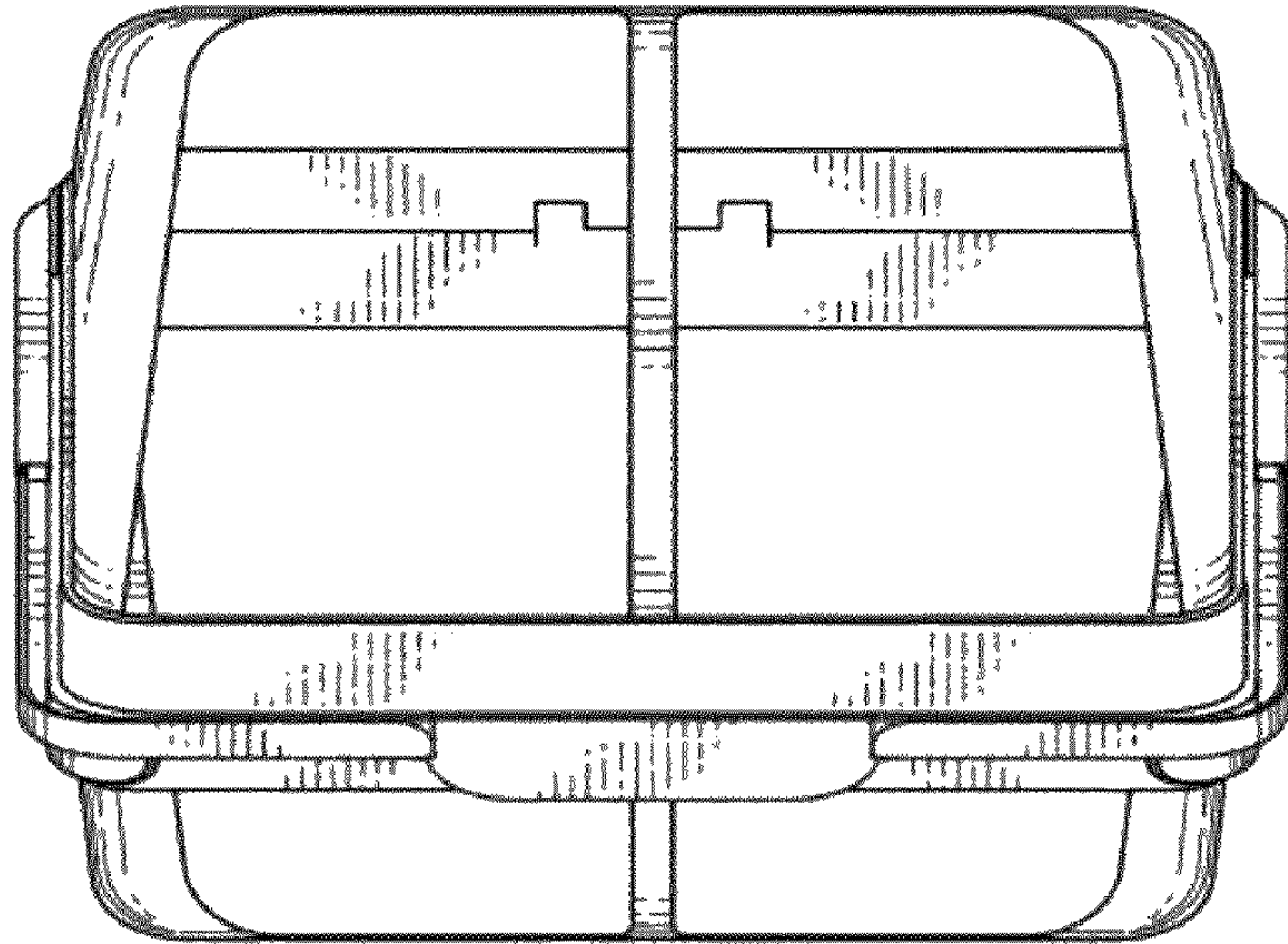


FIG. 6

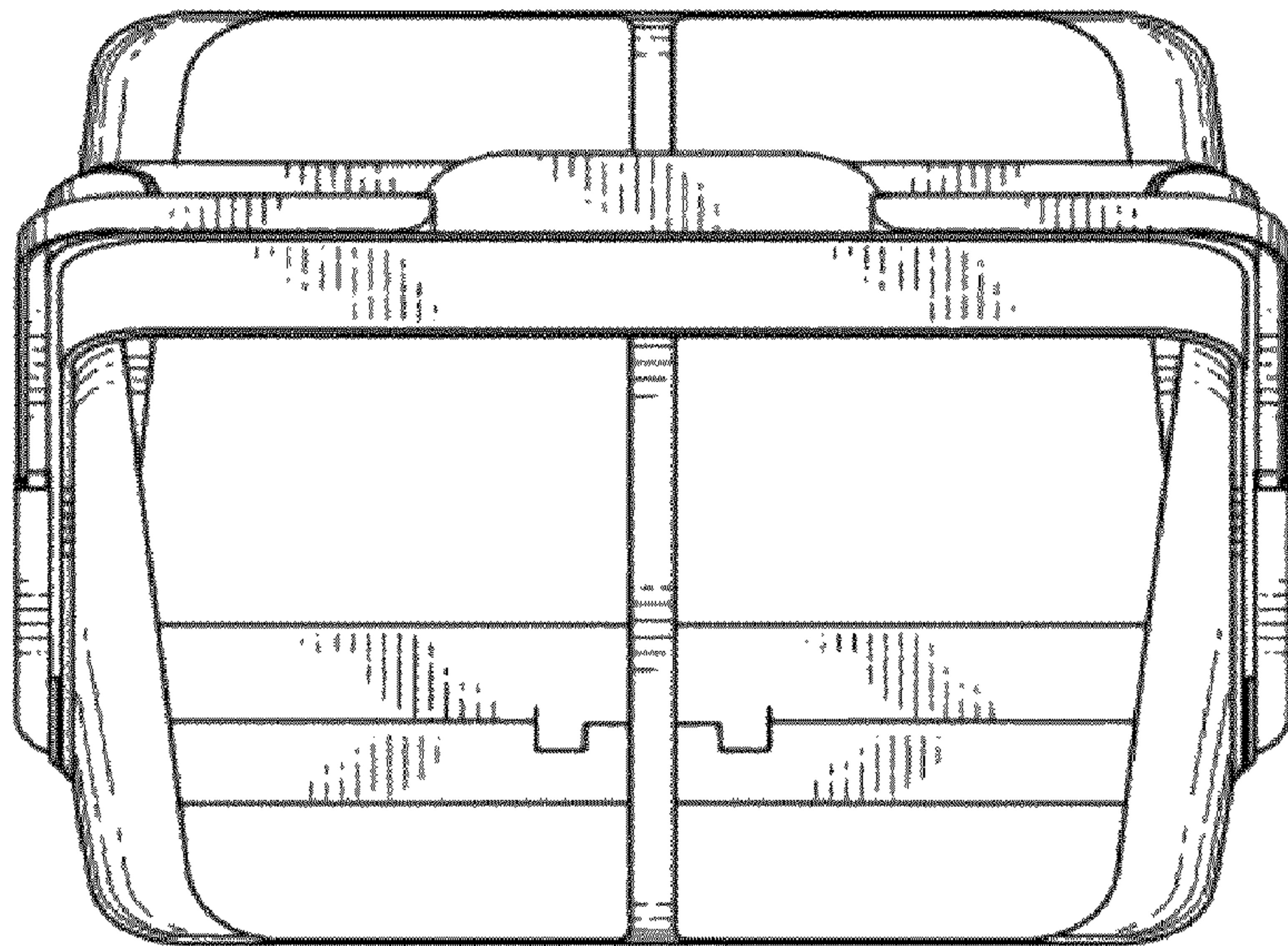


FIG. 7

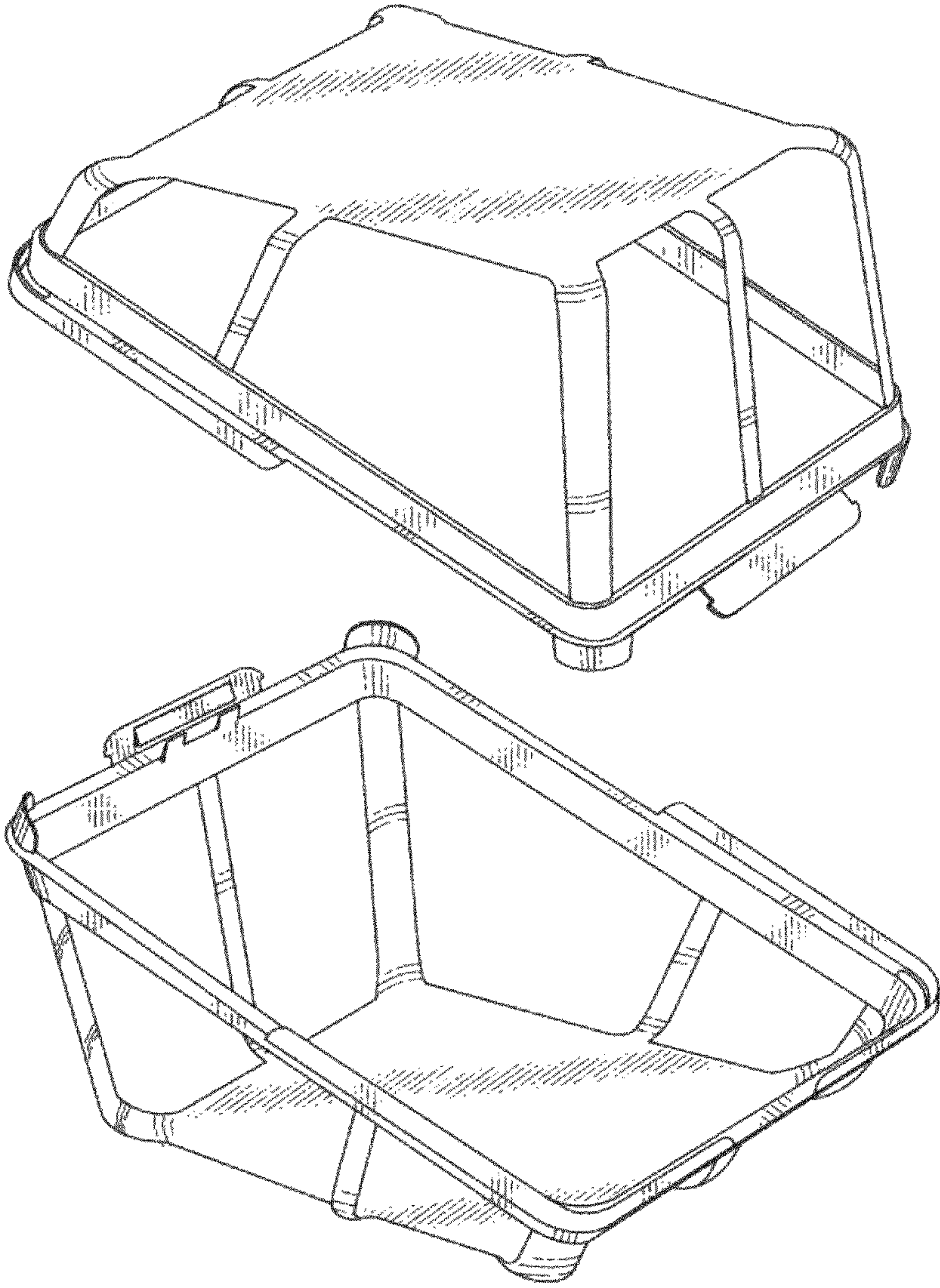


FIG. 8



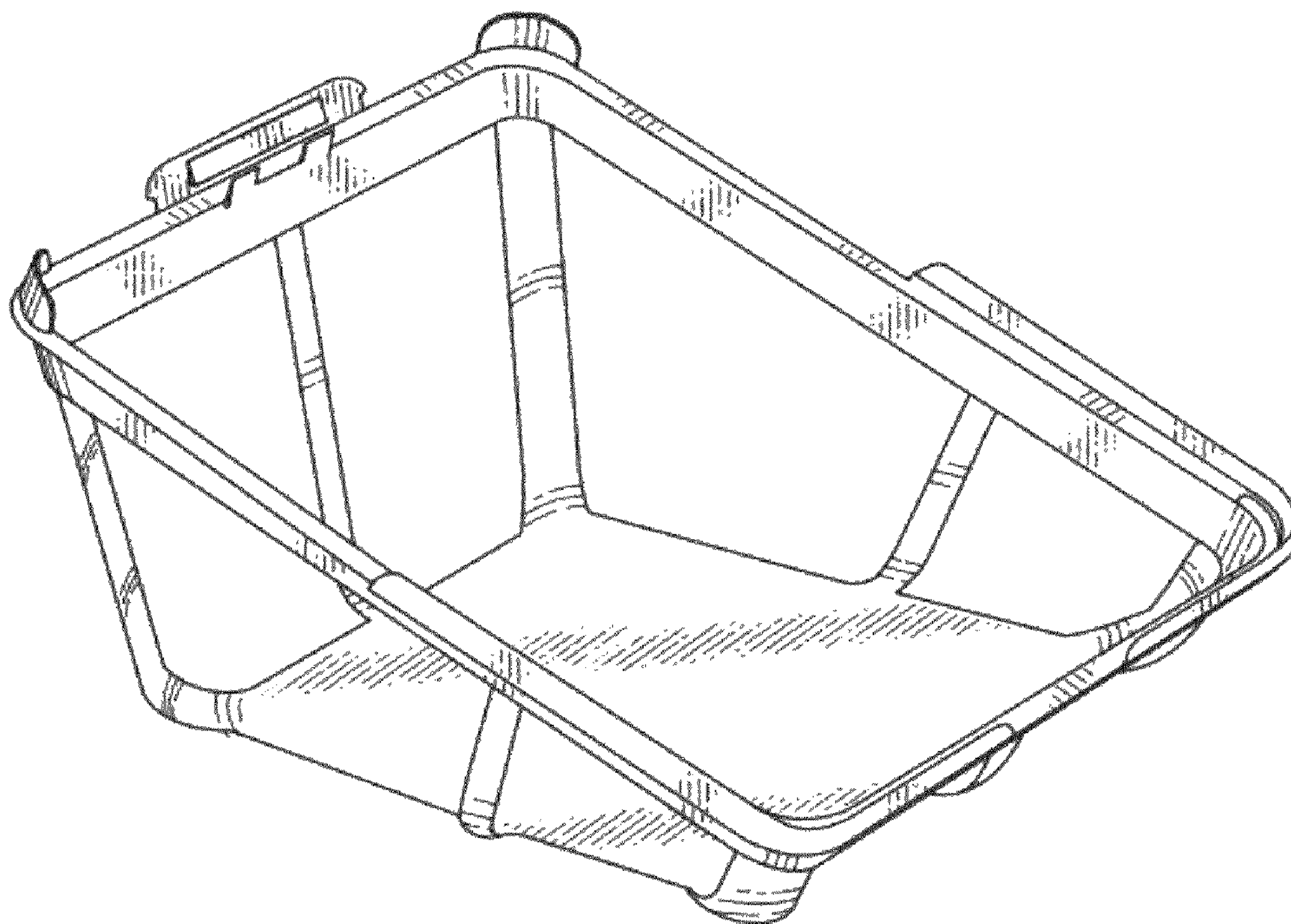


FIG. 9

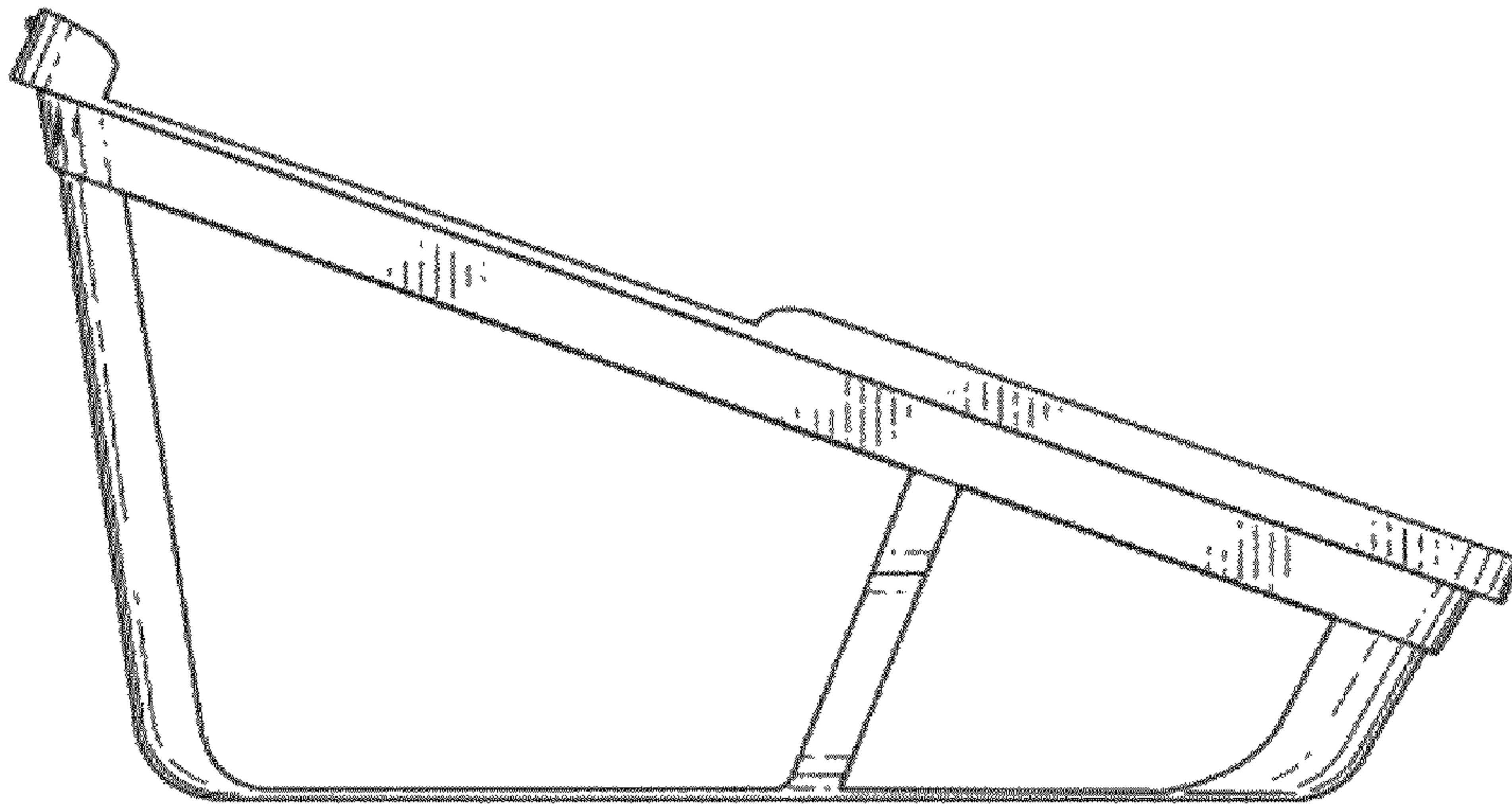


FIG. 10

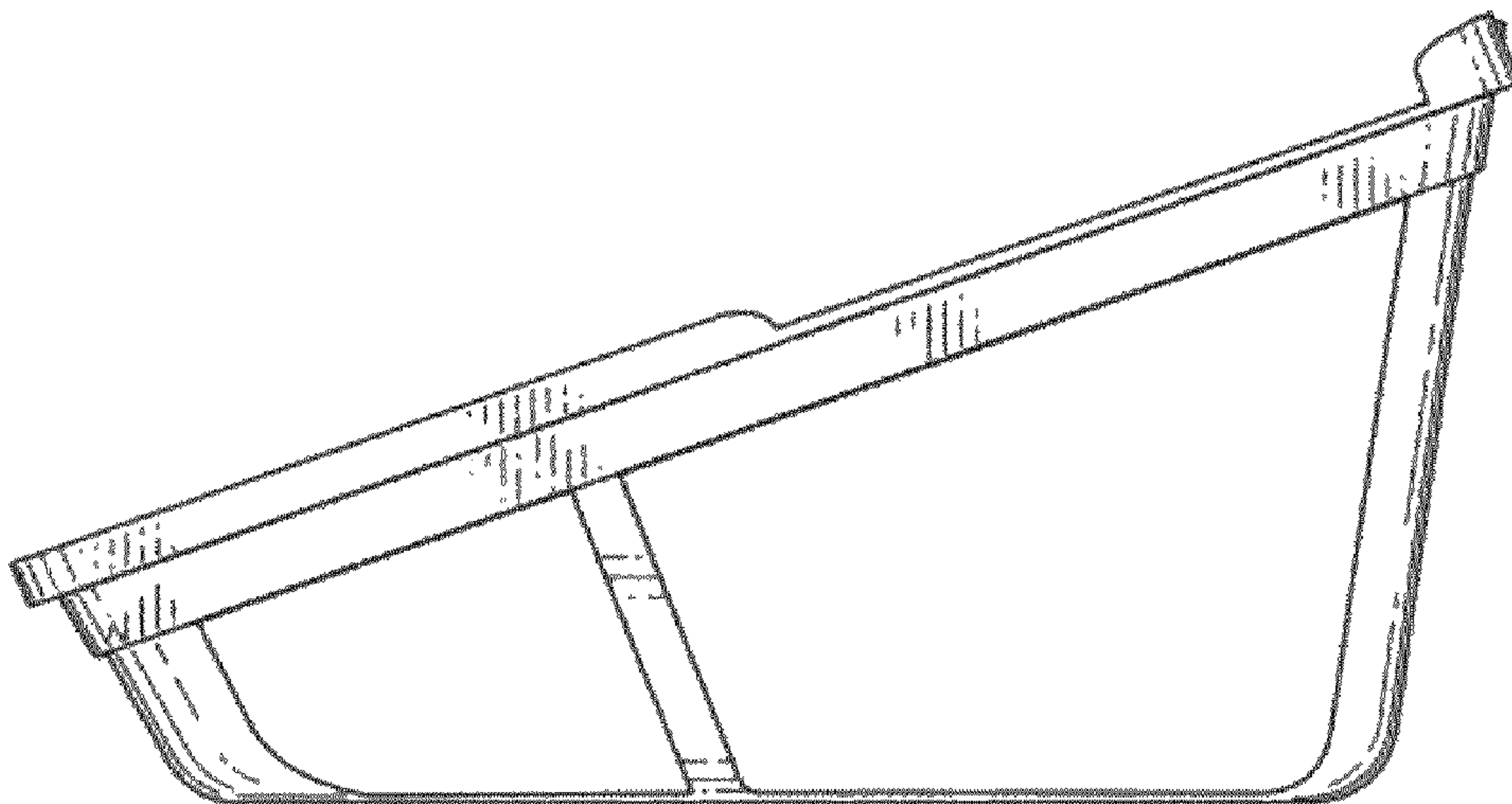


FIG. 11



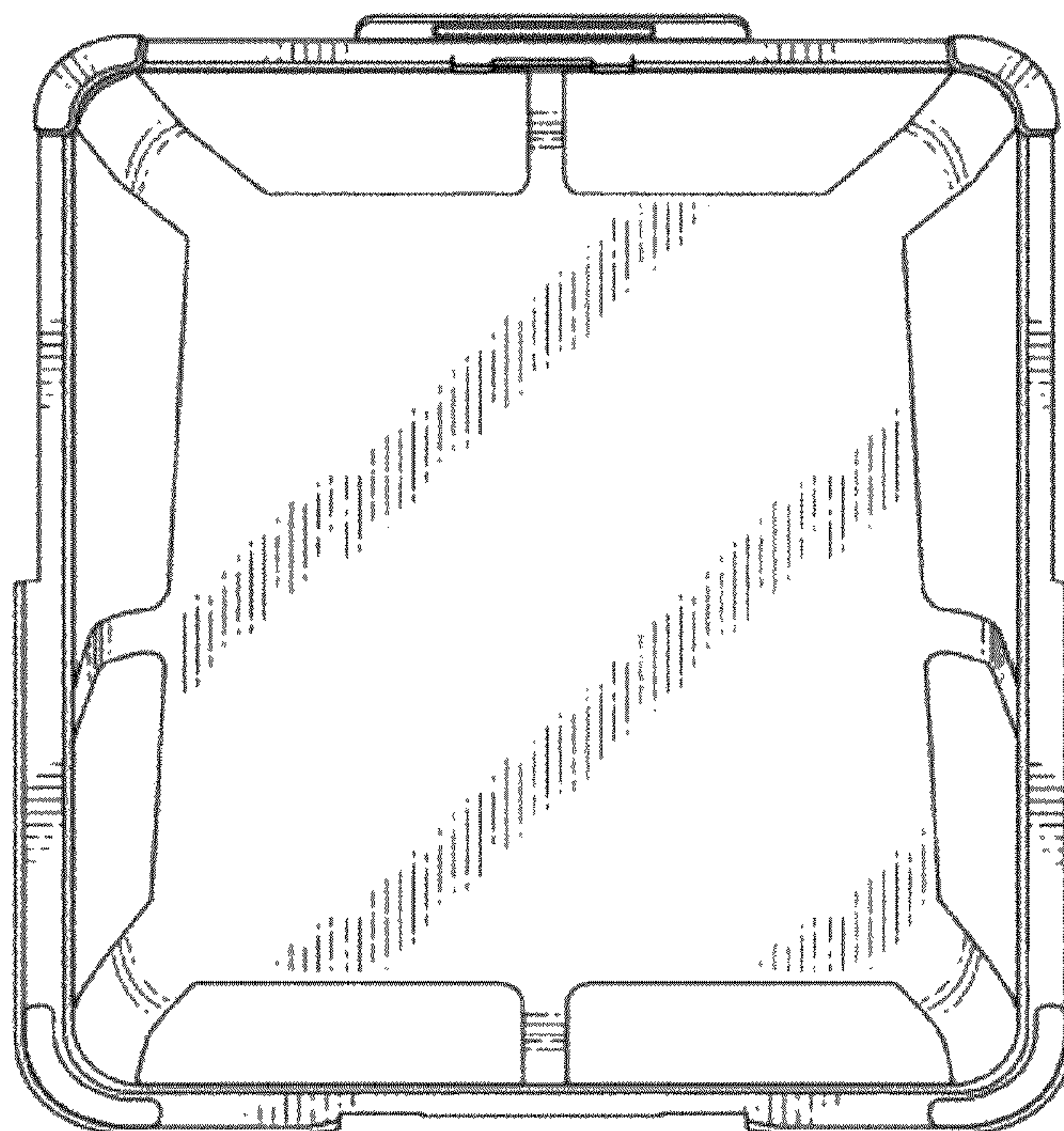


FIG. 12

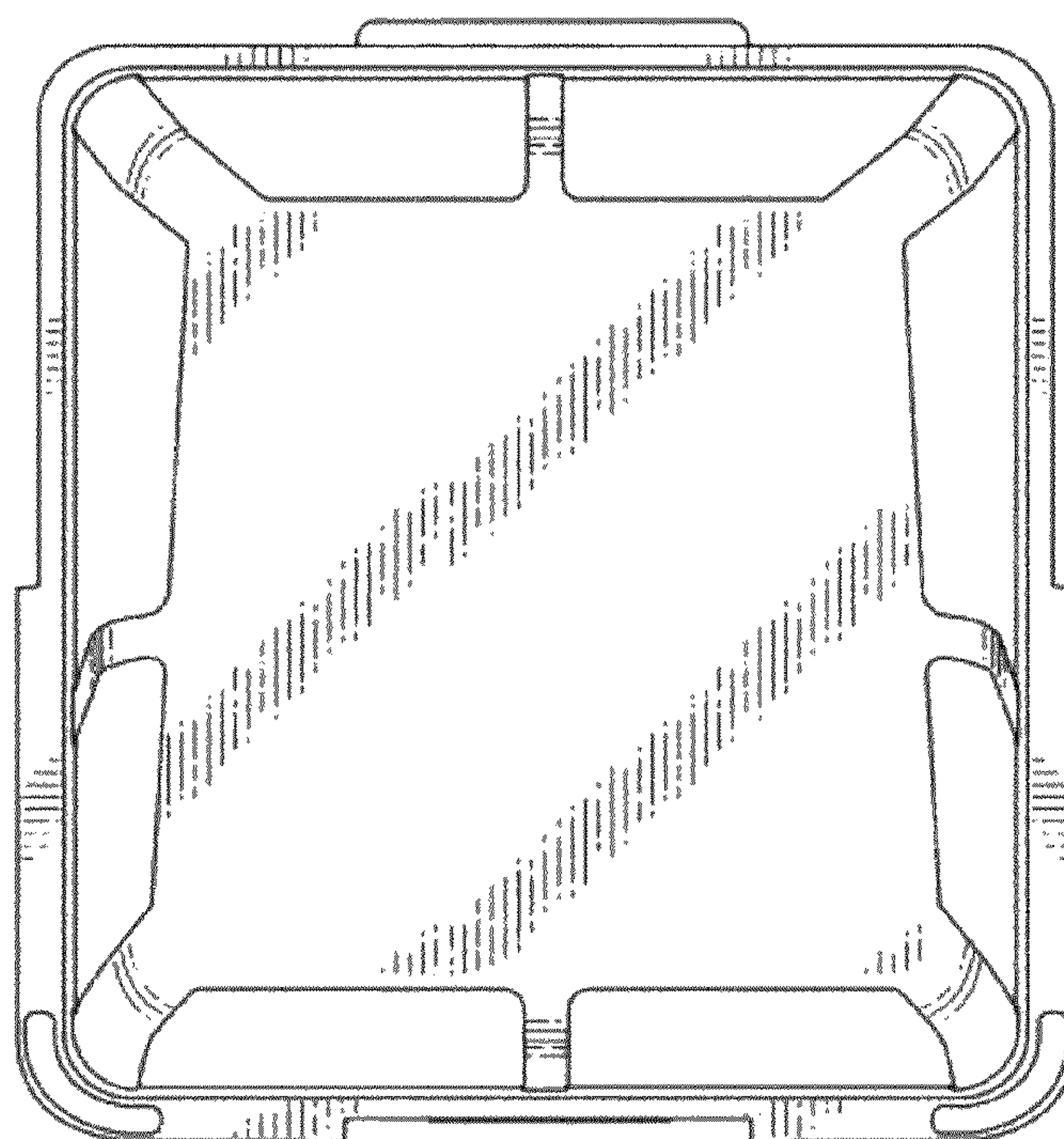


FIG. 13

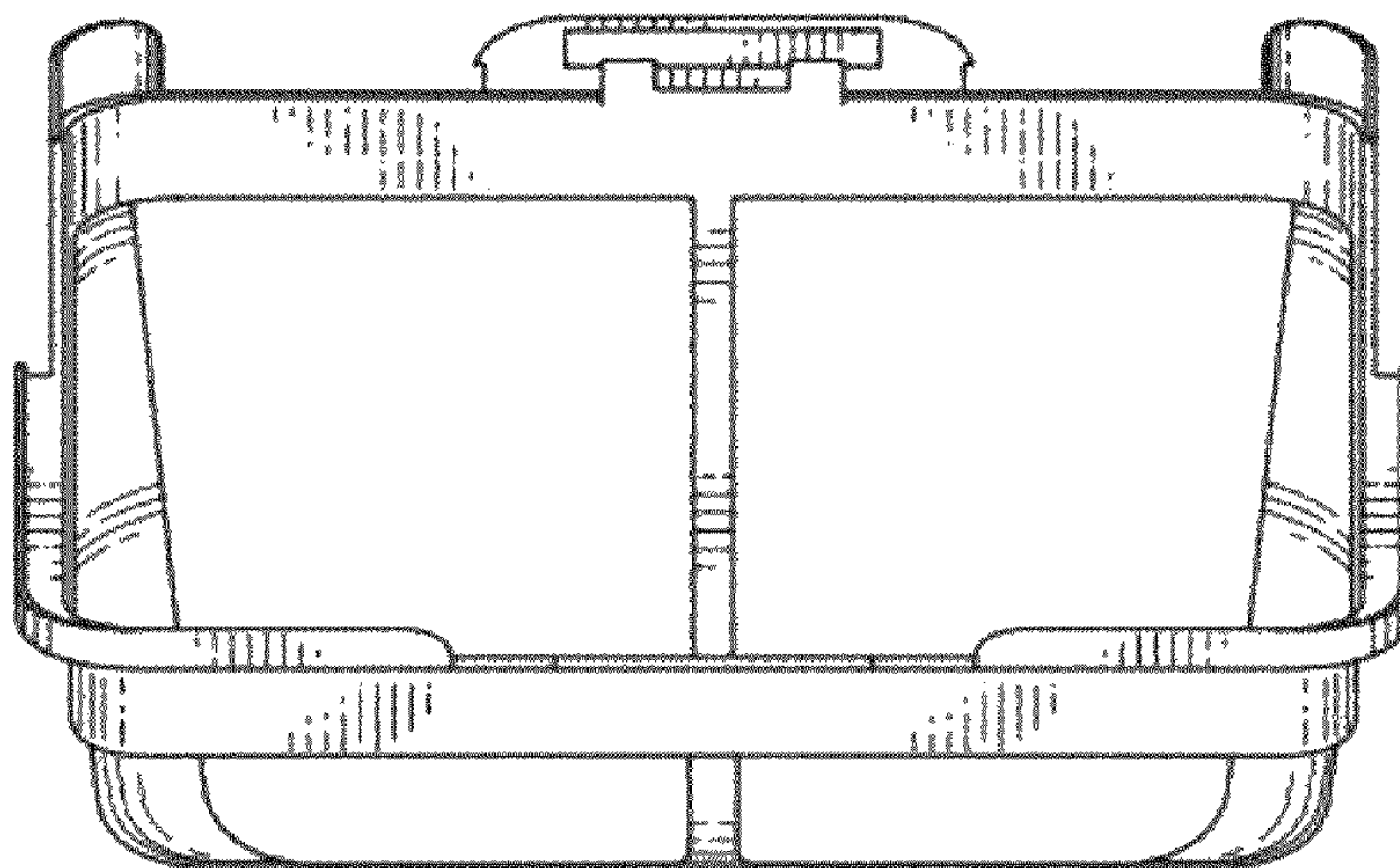


FIG. 14

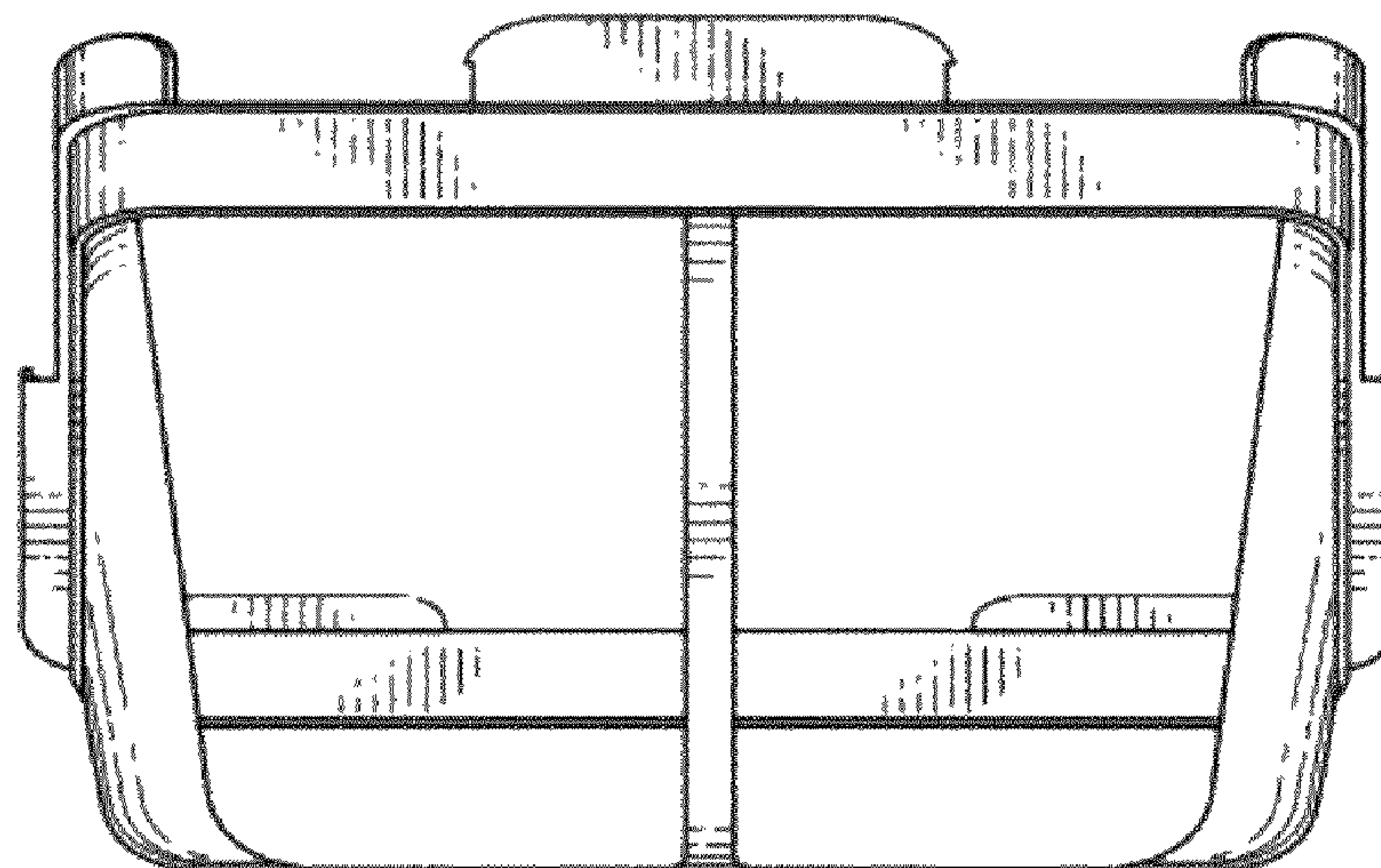


FIG. 15