



US00D658978S

(12) **United States Design Patent**
Linares

(10) **Patent No.:** **US D658,978 S**

(45) **Date of Patent:** **** May 8, 2012**

(54) **DETENT WASHER**

(75) Inventor: **Rodolfo Linares**, Whittier, CA (US)

(73) Assignee: **Rodolfo Linares**, Whittier, CA (US)

(**) Term: **14 Years**

(21) Appl. No.: **29/398,818**

(22) Filed: **Aug. 4, 2011**

(51) **LOC (9) Cl.** **08-08**

(52) **U.S. Cl.** **D8/399**

(58) **Field of Classification Search** D8/399,
D8/323, 328, 329, 324, 330, 325, 327, 331,
D8/336, 353, 338, 334, 57; D16/334; D23/302,
D23/303; D10/69; D3/903; 4/302, 303;
16/309, 235, 275, 244, 379, 390, 430, 241,
16/238, 245, 236, 243, 242, 385, 225, 250
See application file for complete search history.

(56) **References Cited**

U.S. PATENT DOCUMENTS

D26,801 S * 3/1897 Spear D8/399
D452,140 S * 12/2001 Shinjo et al. D8/397

D483,660 S * 12/2003 Cheng D8/399
D500,664 S * 1/2005 Myers et al. D8/343
D513,471 S * 1/2006 Sato et al. D8/382
D622,576 S * 8/2010 Farkas et al. D8/328
D646,145 S * 10/2011 Stuckey D8/331
D646,147 S * 10/2011 Stuckey D8/331
2003/0220146 A1 * 11/2003 Bonninger et al. 464/73

* cited by examiner

Primary Examiner — Cynthia Underwood

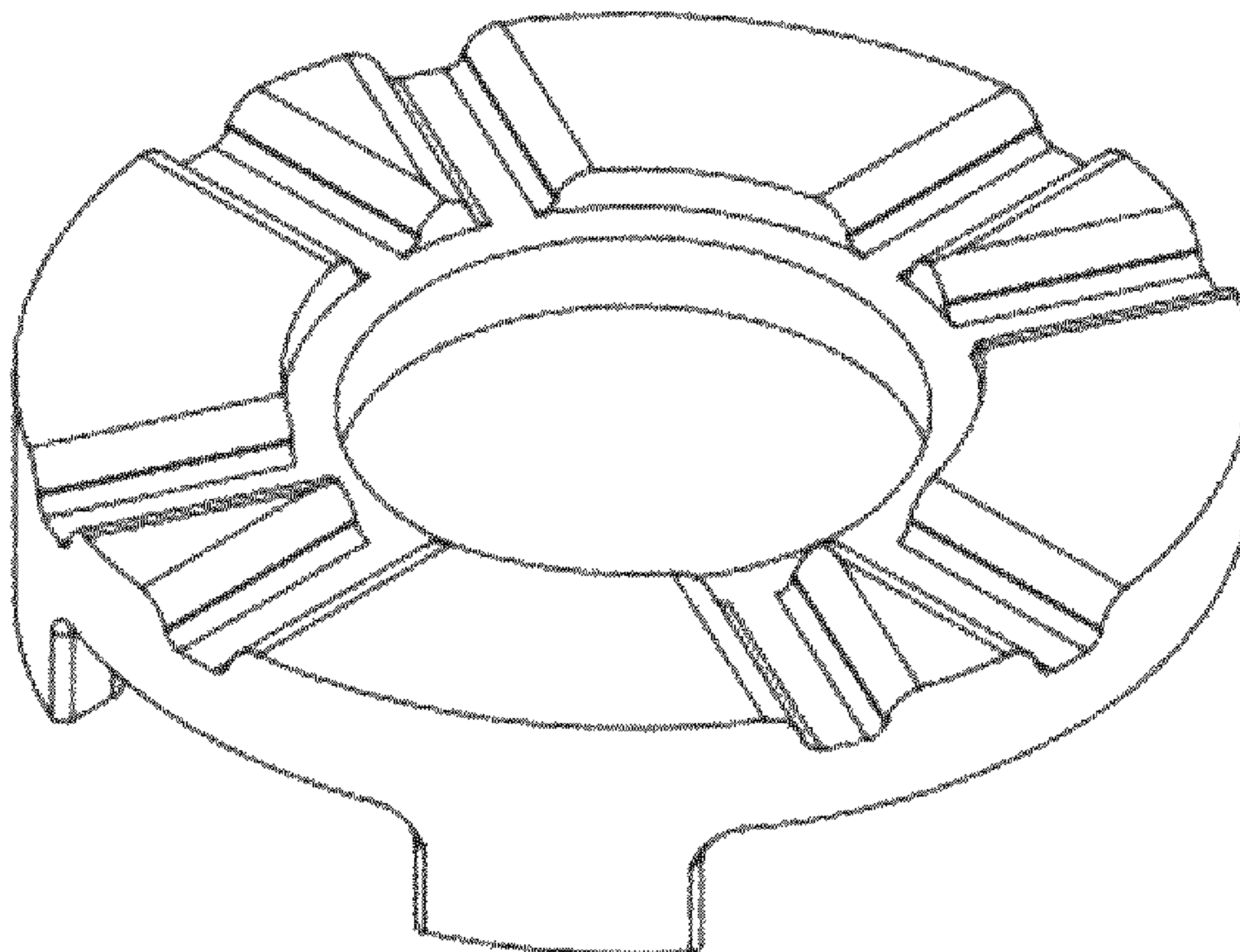
(57) **CLAIM**

The ornamental design for a detent washer, as shown and described.

DESCRIPTION

FIG. 1 is a front perspective view of my detent washer;
FIG. 2 is a top view thereof;
FIG. 3 is a bottom view thereof,
FIG. 4 is a left side elevation view thereof;
FIG. 5 is a right view thereof;
FIG. 6 is a front view thereof; and,
FIG. 7 is a back view thereof.

1 Claim, 4 Drawing Sheets



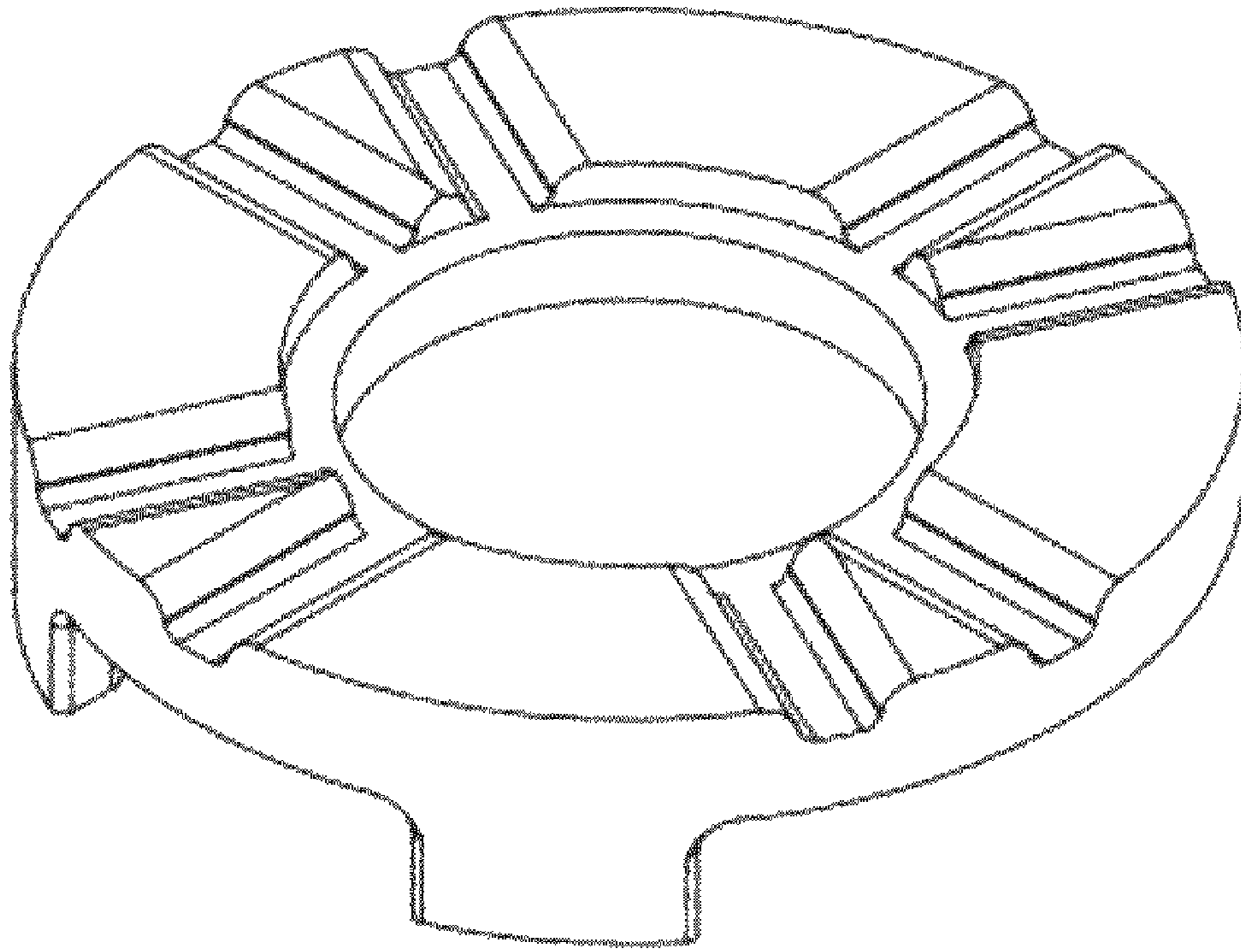


Fig. 1

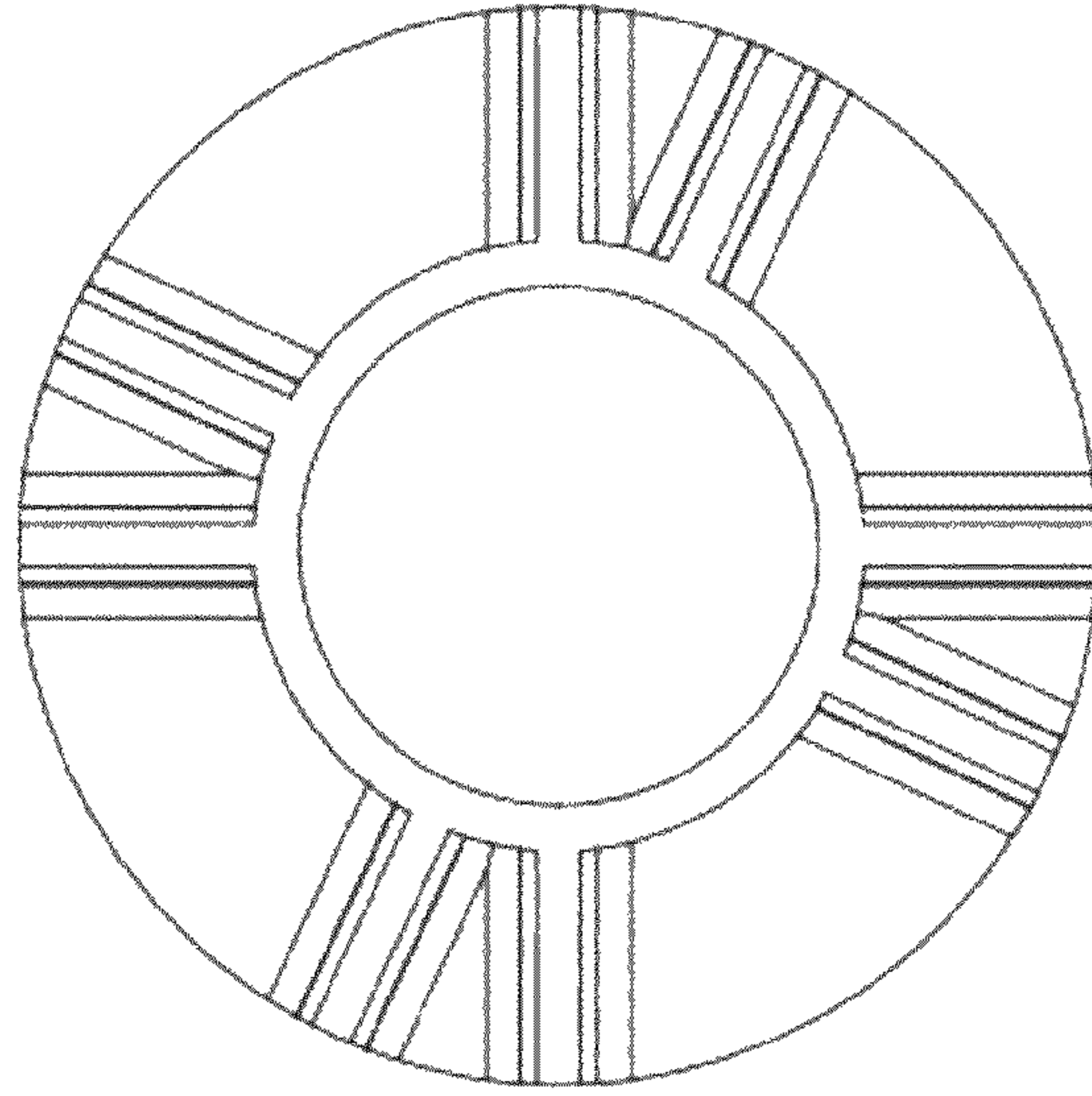


Fig. 2

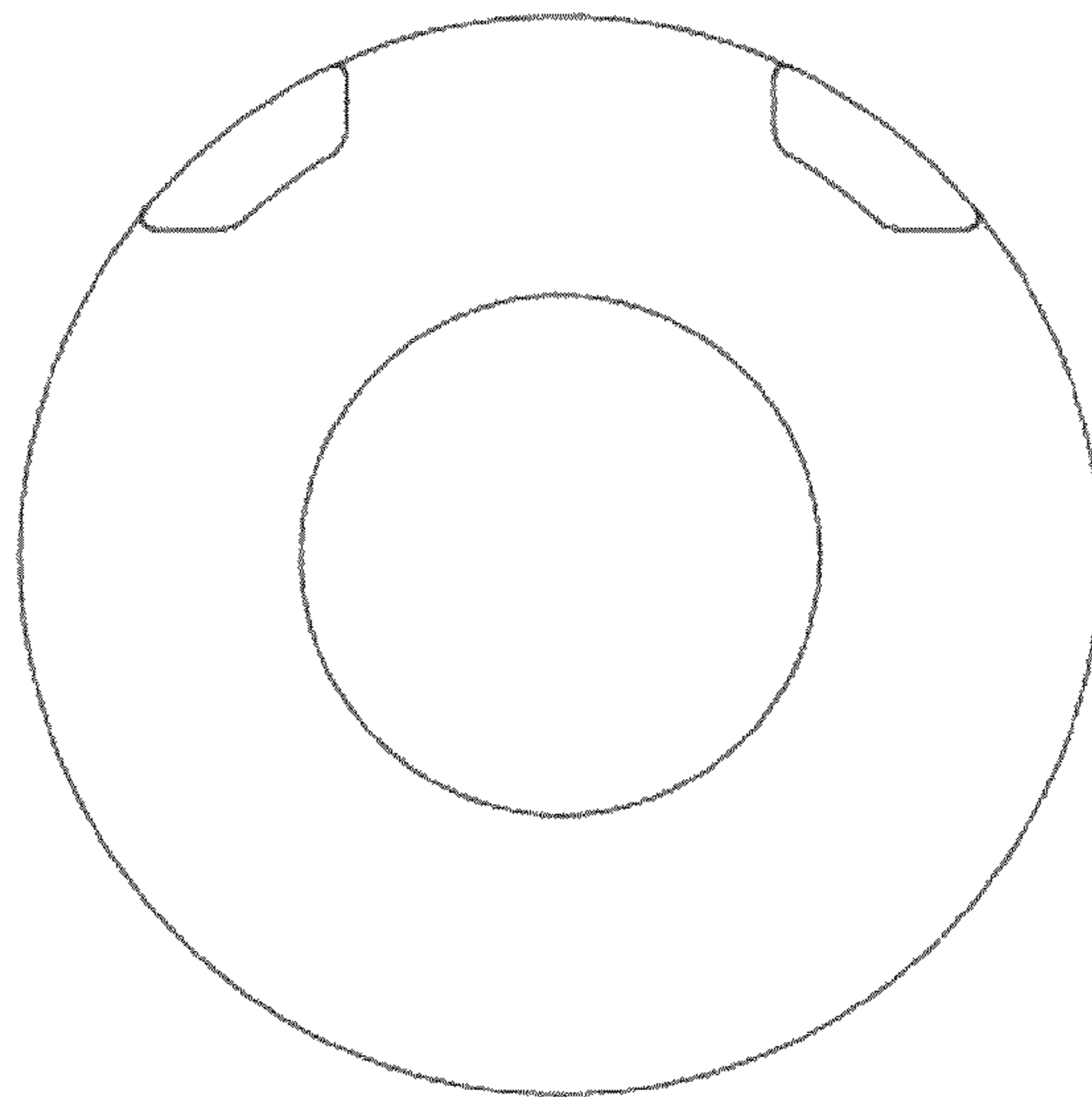


Fig. 3

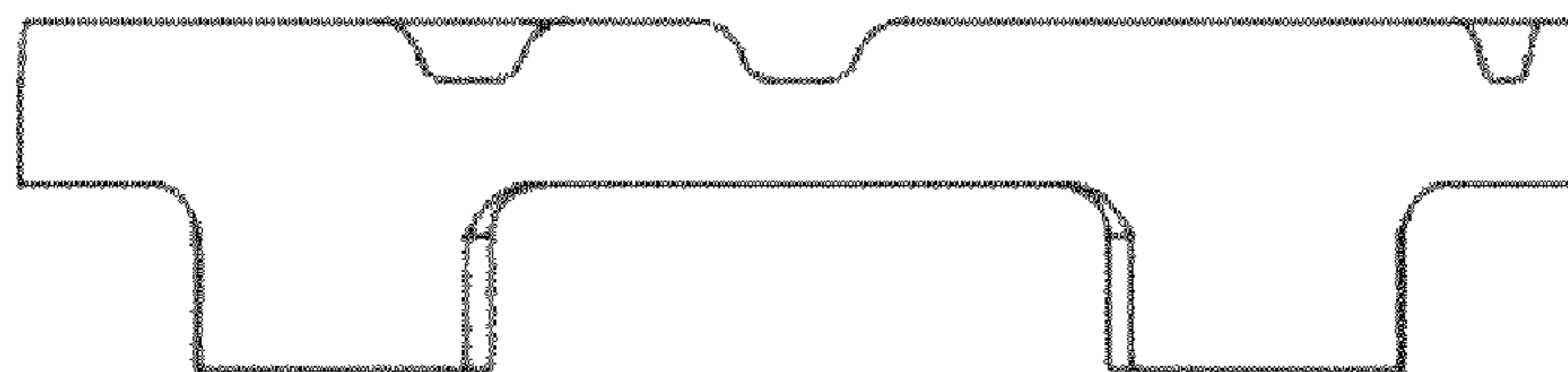


Fig. 4

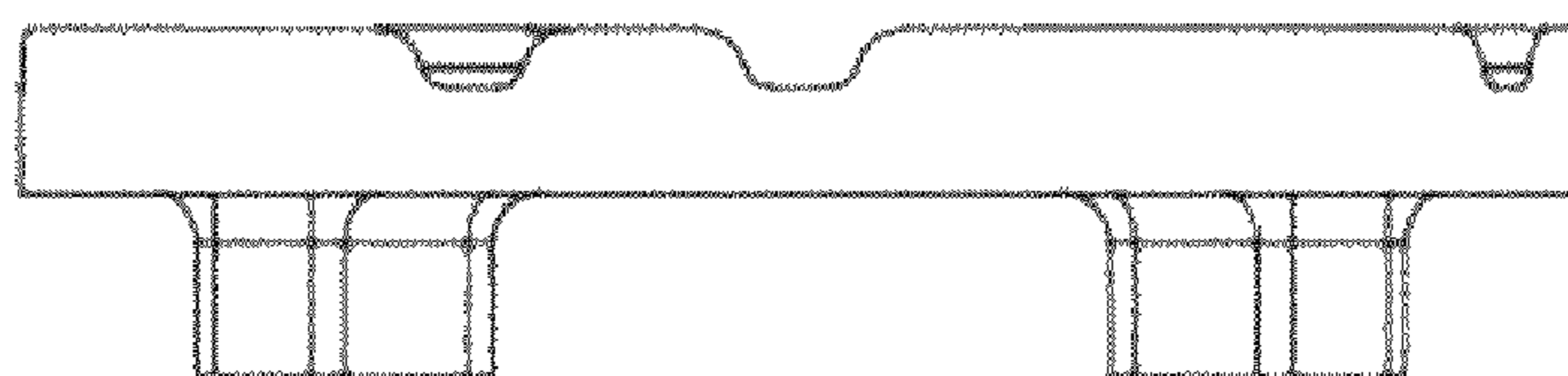


Fig. 5

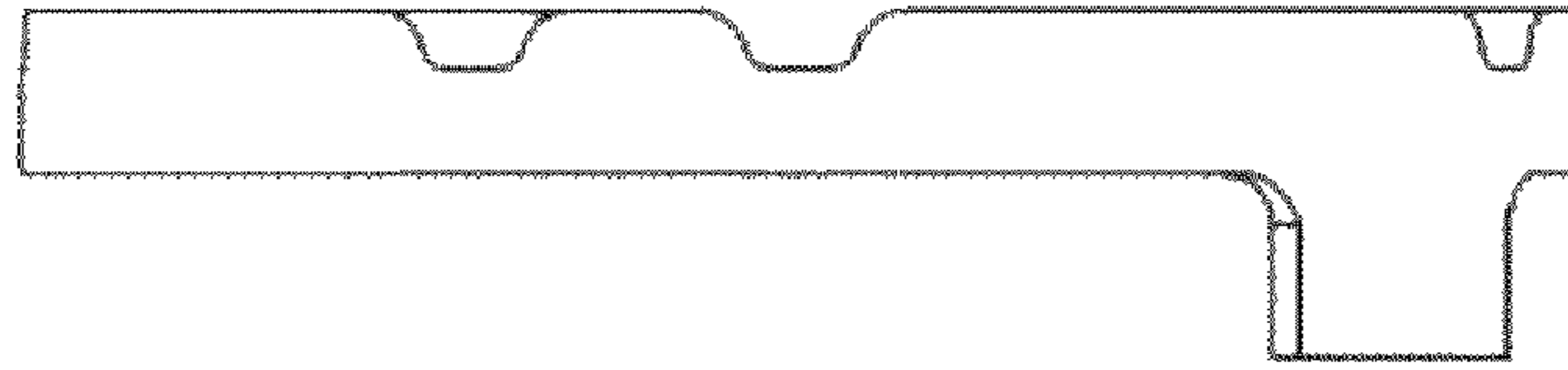


Fig. 6

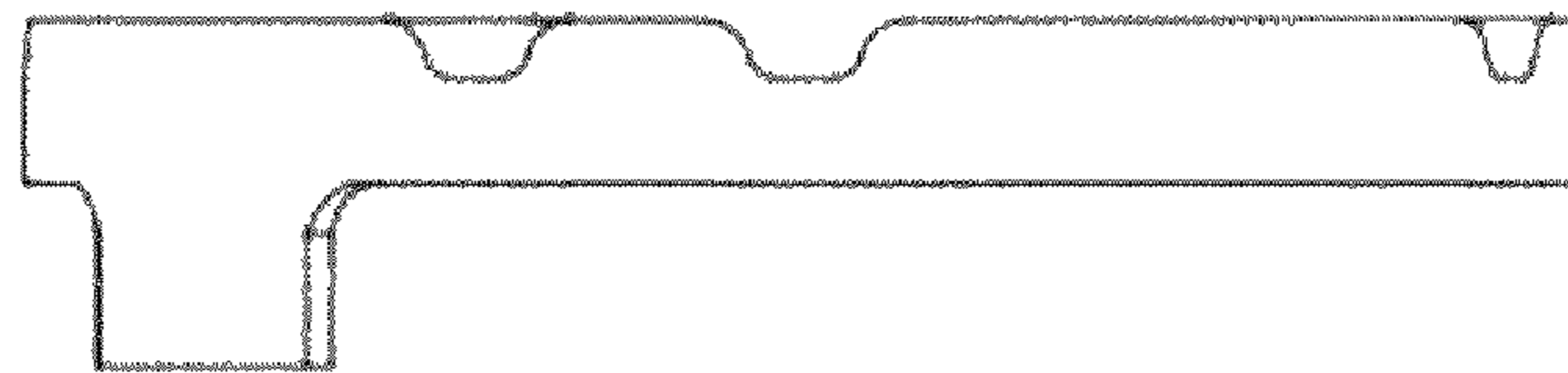


Fig. 7