



US00D658977S

(12) **United States Design Patent**  
**Riddell et al.**

(10) **Patent No.:** **US D658,977 S**

(45) **Date of Patent:** **\*\* \*May 8, 2012**

(54) **WIDE ROOF CLAMP**

(75) Inventors: **Paul A. Riddell**, Castle Rock, CO (US);  
**Jason T. Nagaki**, Castle Rock, CO (US)

(73) Assignee: **Action Manufacturing, LLC**,  
Englewood, CO (US)

(\*) Notice: This patent is subject to a terminal disclaimer.

(\*\*) Term: **14 Years**

(21) Appl. No.: **29/364,416**

(22) Filed: **Jun. 23, 2010**

(51) **LOC (9) Cl.** ..... **08-08**

(52) **U.S. Cl.** ..... **D8/394**

(58) **Field of Classification Search** ..... D8/394-396,  
D8/72; D19/56, 65; D32/60-64; D28/40;  
24/67.3; 269/6, 147, 149; D25/119, 121,  
D25/122

See application file for complete search history.

(56) **References Cited**

U.S. PATENT DOCUMENTS

507,776	A	10/1893	Berger et al.	
579,735	A	10/1896	Bower	
1,054,091	A	8/1912	Darnall	
1,330,309	A	3/1919	Dixon	
2,201,320	A	1/1940	Place	
D140,862	S *	4/1945	Conlan	D13/161
D140,863	S *	4/1945	Conlan	D13/178
2,495,083	A *	1/1950	Welch	289/13
2,890,845	A	5/1955	Kiekhaefer	
3,341,909	A *	9/1967	Havener	24/486
3,389,931	A *	6/1968	St John	403/345
4,190,224	A *	2/1980	LeBlanc et al.	248/227.3
4,351,140	A	9/1982	Simpson	
D277,168	S *	1/1985	Clausen et al.	D8/394
4,546,586	A	10/1985	Knudson	
D297,303	S *	8/1988	Finklestein	D8/382
D297,616	S *	9/1988	Doty et al.	D8/395

4,903,929	A	2/1990	Hoffman	
D312,567	S *	12/1990	Gilman	D8/394
D314,503	S *	2/1991	Gilman	D8/394
5,137,243	A *	8/1992	Stevens et al.	248/316.7
5,228,248	A	7/1993	Haddock	
5,271,194	A	12/1993	Drew	
D366,609	S *	1/1996	McDonald	D8/397
5,522,185	A	6/1996	Cline	
D372,420	S *	8/1996	Mendez	D8/383
5,609,326	A	3/1997	Stearns et al.	
5,613,328	A	3/1997	Alley	
D379,299	S *	5/1997	Fitzgibbons	D8/402
5,715,640	A	2/1998	Haddock	
D392,555	S *	3/1998	Glickman et al.	D8/382
5,732,513	A	3/1998	Alley	
D393,201	S *	4/1998	Hearidge et al.	D8/395
D393,417	S *	4/1998	Glickman et al.	D8/382
5,983,588	A	11/1999	Haddock	

(Continued)

Primary Examiner — John Windmuller

(74) *Attorney, Agent, or Firm* — Patent Law Offices of Rick Martin, P.C.

(57) **CLAIM**

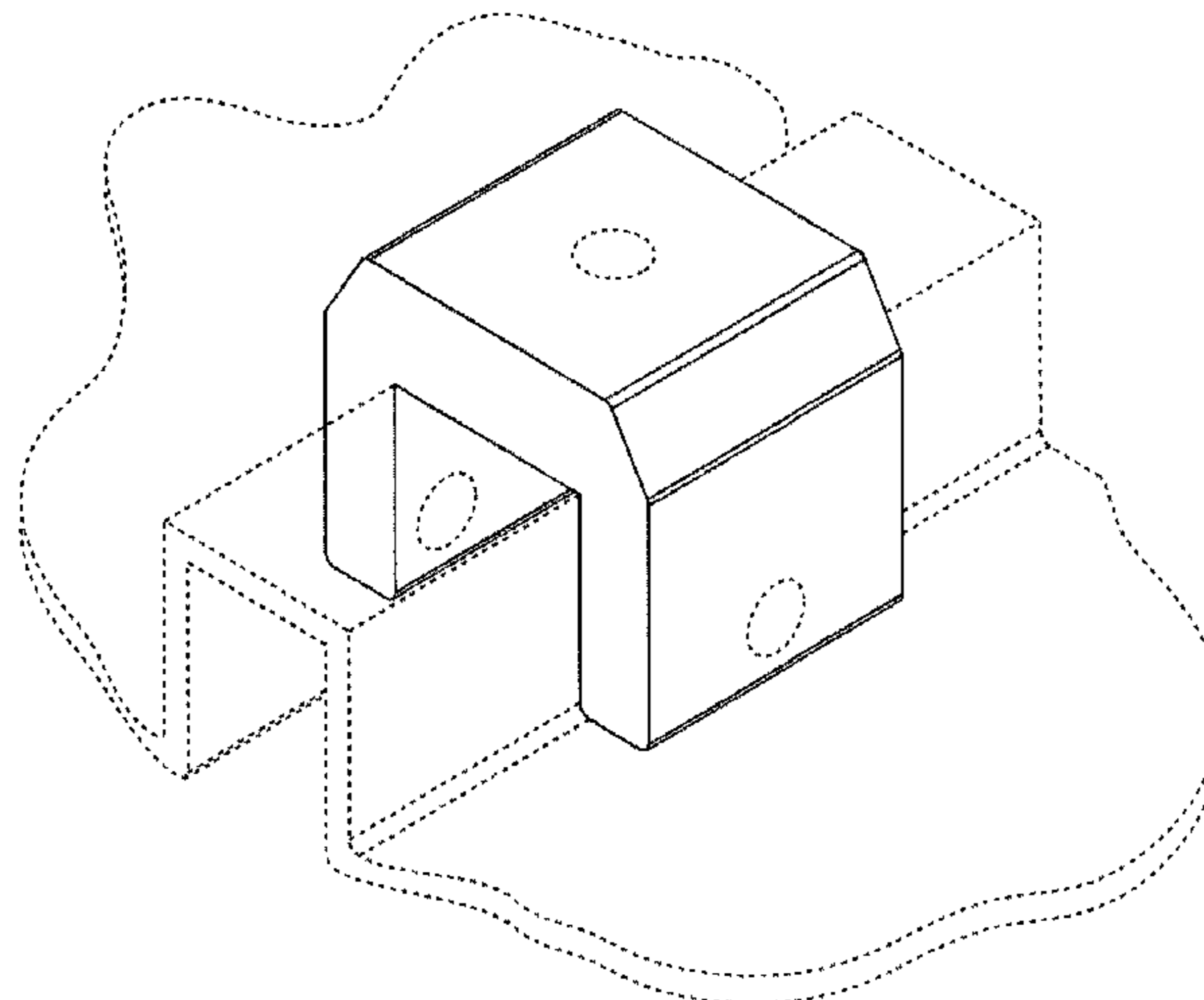
The ornamental design for a wide roof clamp, as shown and described.

**DESCRIPTION**

FIG. 1 is a front perspective view of a wide roof clamp showing our new design in use on a roof;  
 FIG. 2 is a front elevational view thereof, the rear elevational view being identical;  
 FIG. 3 is a left side elevational view thereof;  
 FIG. 4 is a top plan view thereof;  
 FIG. 5 is a bottom plan view thereof; and,  
 FIG. 6 is a right side elevational view thereof.

The broken line showing of circles in the figures depicts portions of the clamp that form no part of the claimed design. The broken line showing of a portion of a roof in FIG. 1 depicts environmental subject matter only and forms no part of the claimed design.

**1 Claim, 3 Drawing Sheets**



# US D658,977 S

Page 2

## U.S. PATENT DOCUMENTS

6,164,033	A	12/2000	Haddock				
6,233,900	B1	5/2001	Gill				
6,385,914	B2	5/2002	Alley				
6,443,402	B1 *	9/2002	Ferrill et al.	.....	248/65		
6,470,629	B1	10/2002	Haddock				
6,494,411	B1 *	12/2002	Bjorklund	.....	248/49		
6,499,259	B1	12/2002	Hockman				
D471,794	S *	3/2003	Wall	.....	D8/382		
D476,555	S *	7/2003	Niwa	.....	D8/395		
D479,797	S *	9/2003	Wall	.....	D8/382		
D483,650	S *	12/2003	Squillante et al.	.....	D8/349		
6,688,047	B1	2/2004	McNichol				
6,718,718	B2	4/2004	Haddock				
6,725,623	B1 *	4/2004	Riddell et al.	.....	52/750		
6,834,466	B2	12/2004	Trevorrow et al.				
D513,171	S *	12/2005	Richardson	.....	D8/394		
7,013,612	B2	3/2006	Haddock				
7,100,338	B2	9/2006	Haddock				
D543,841	S *	6/2007	Heindl et al.	.....	D8/382		
D544,565	S *	6/2007	Campbell et al.	.....	D22/110		
D551,528	S *	9/2007	Vautour	.....	D8/72		
7,386,922	B1	6/2008	Taylor et al.				
7,513,080	B1 *	4/2009	Showalter	.....	52/24		
D606,379	S *	12/2009	Hughes	.....	D8/72		
2009/0080097	A1 *	3/2009	Bring et al.	.....	359/871		
2010/0058701	A1	3/2010	Yao et al.				

\* cited by examiner

Fig 1

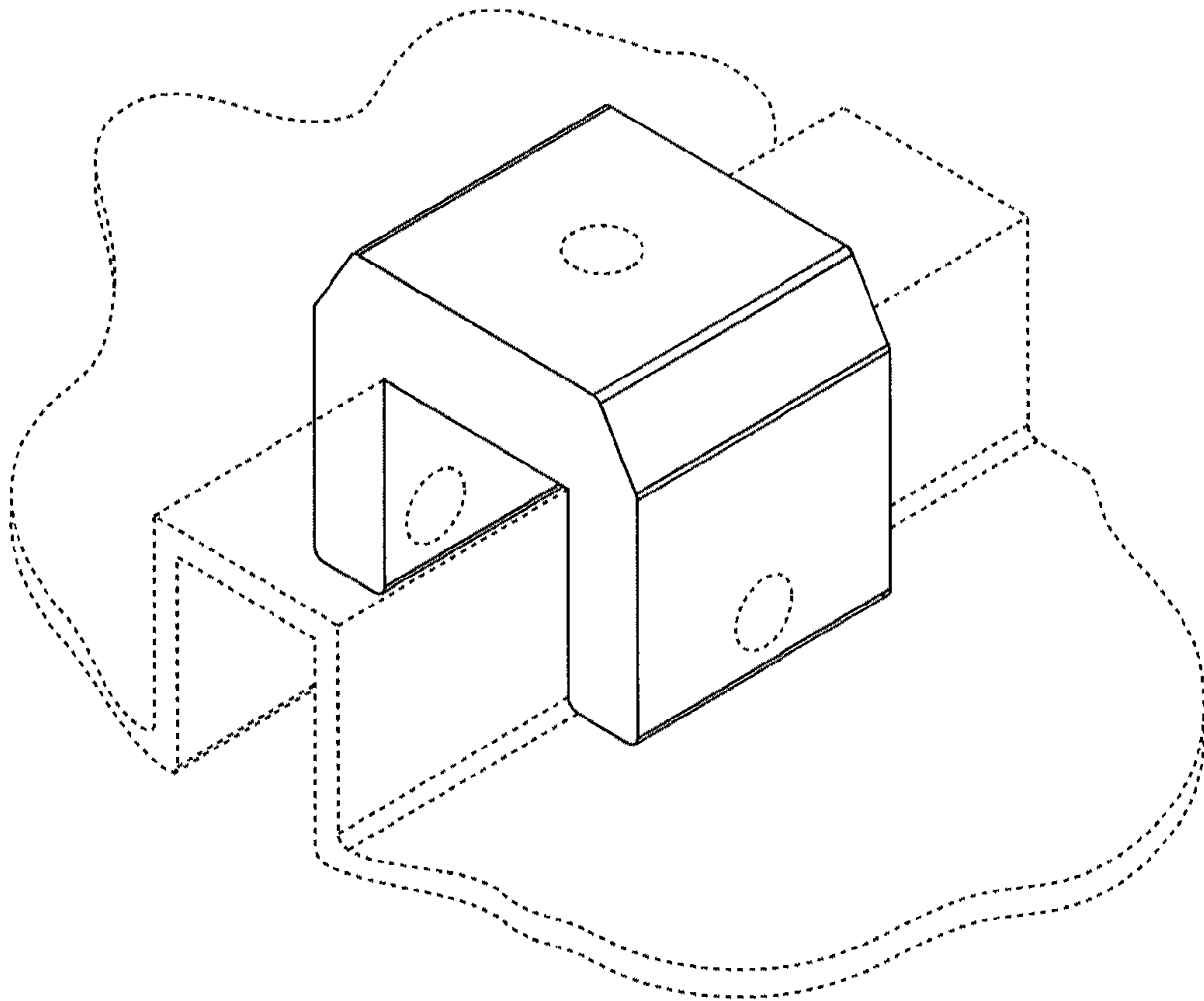


Fig 2

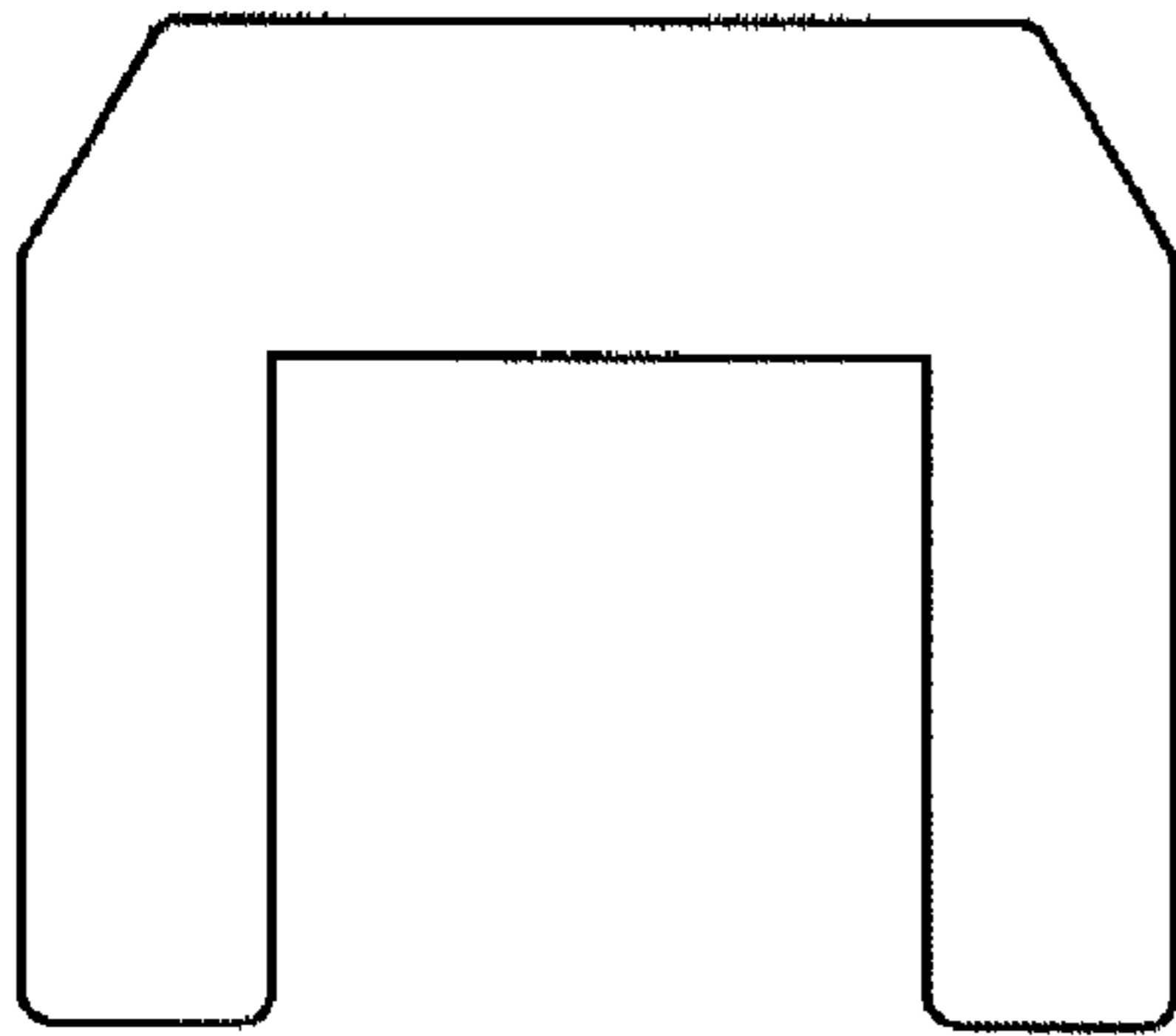


Fig 3

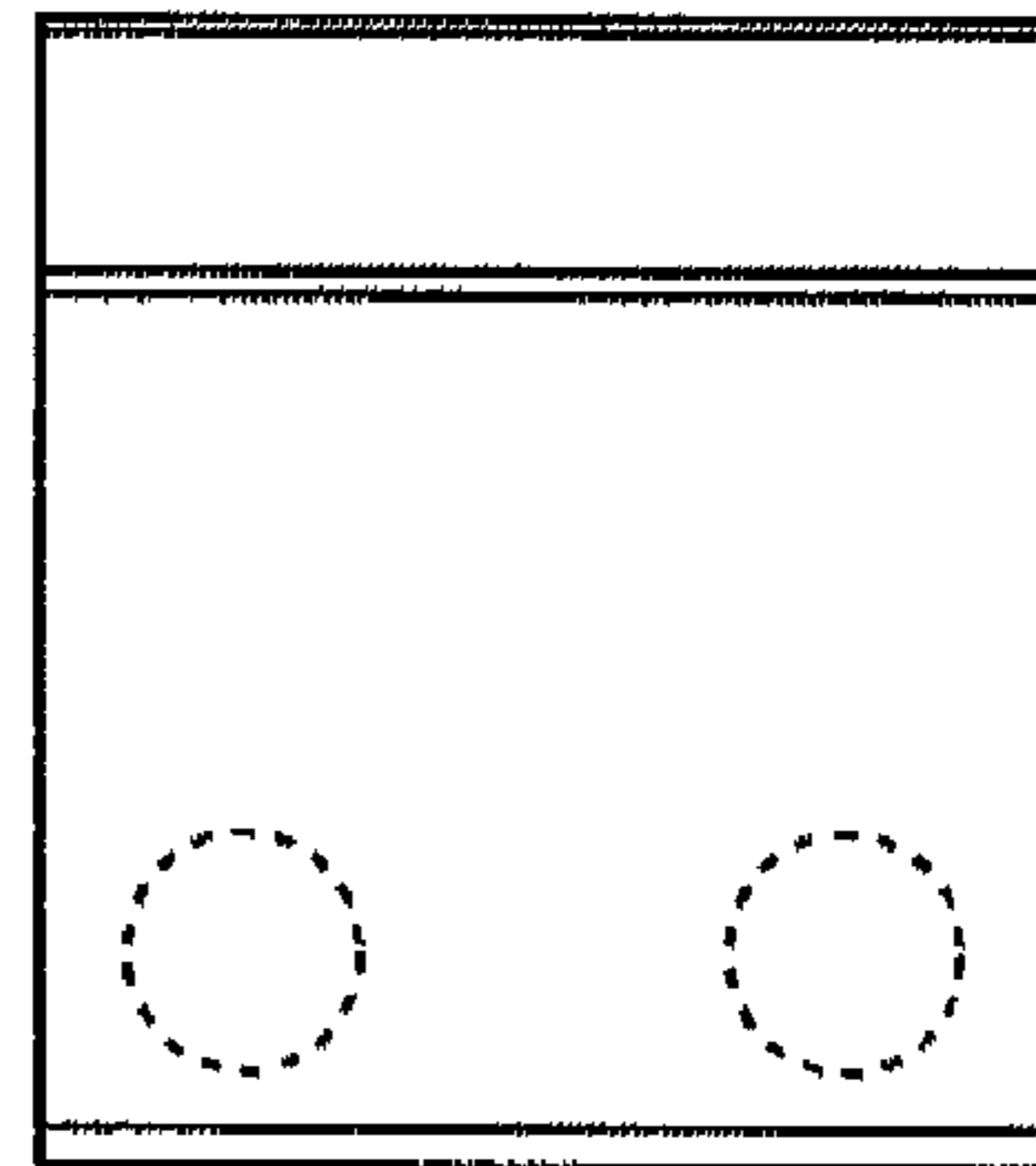


Fig 4

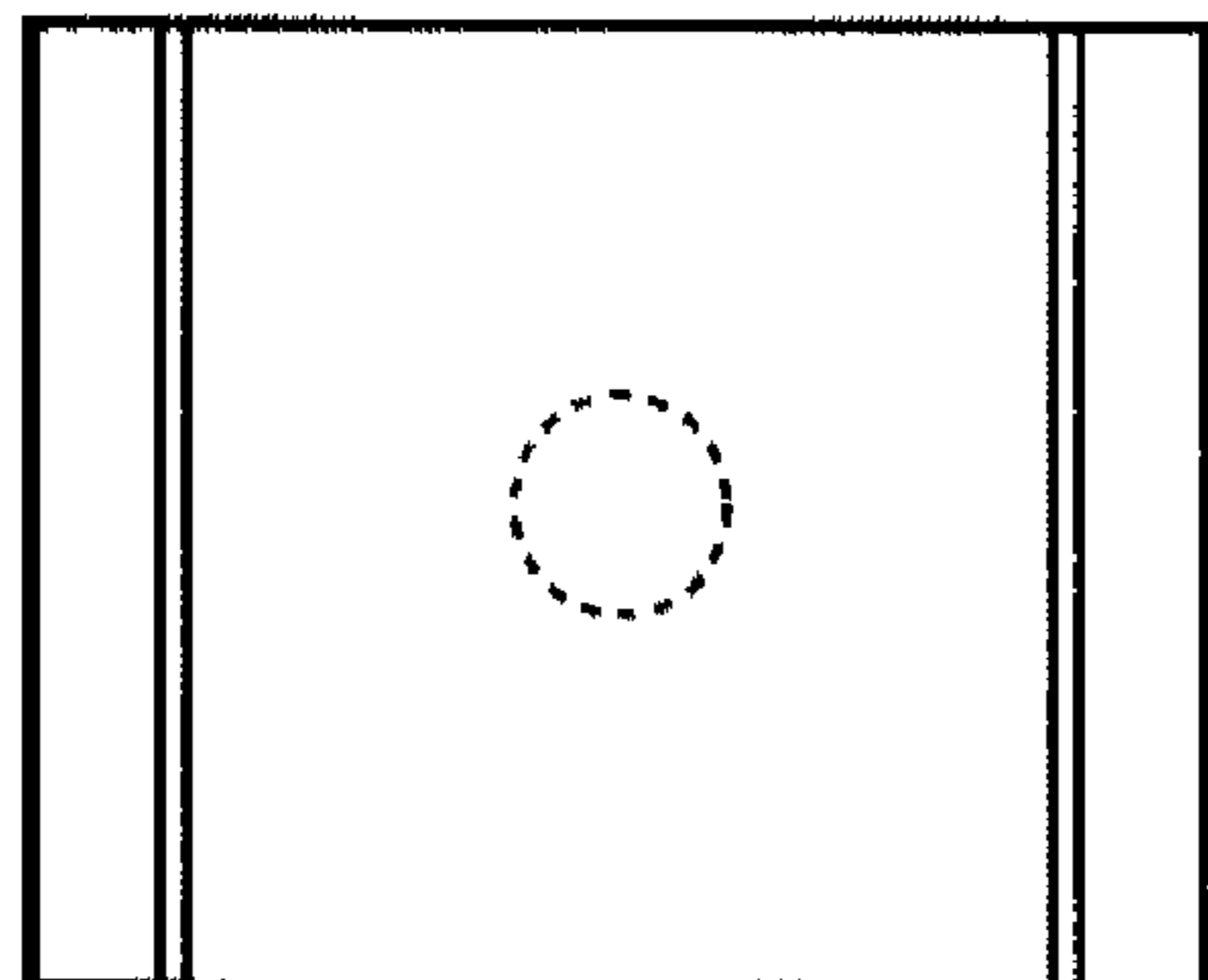


Fig 5

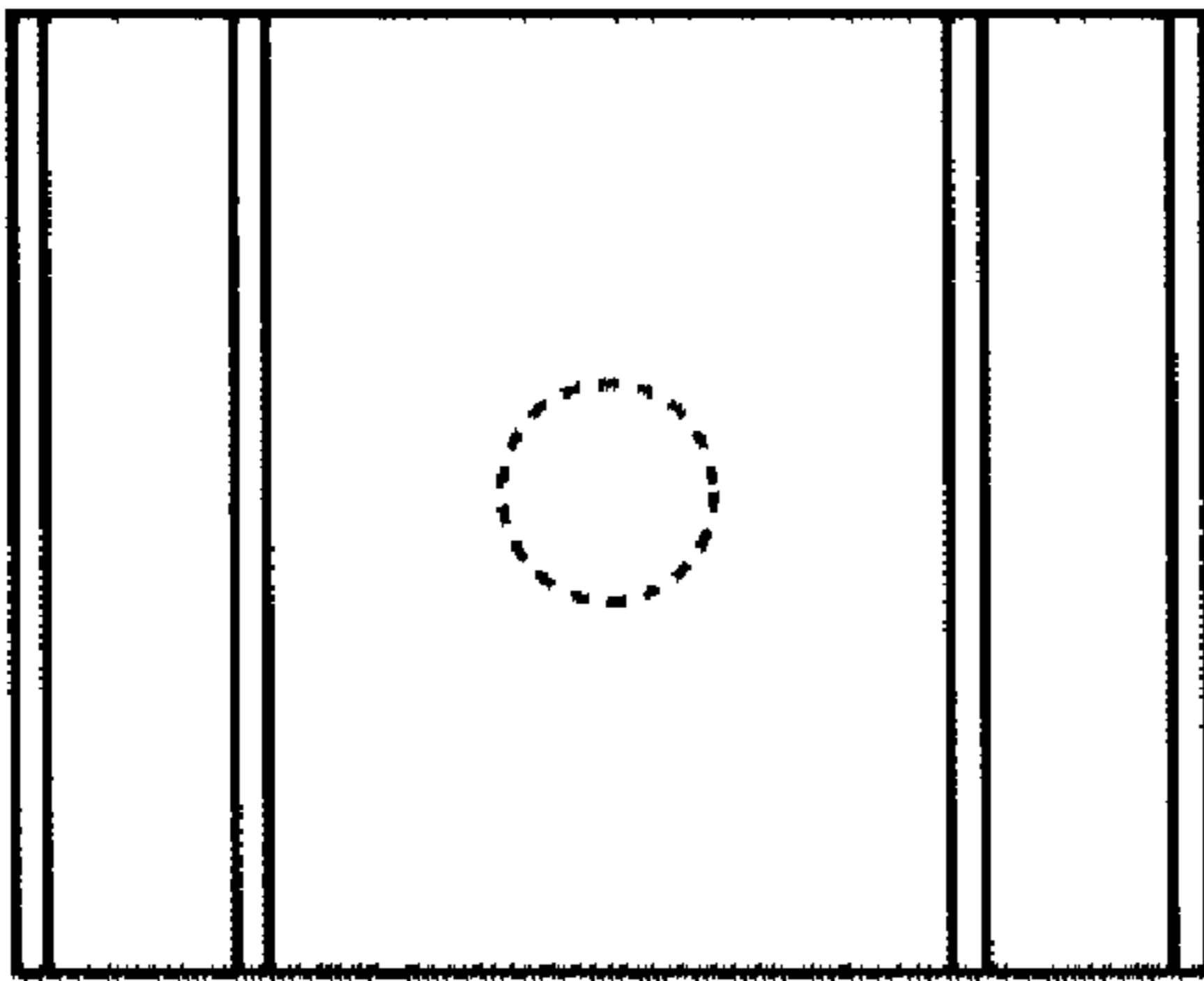


Fig 6

