



US00D658976S

(12) **United States Design Patent**
Morrow, Jr.

(10) **Patent No.:** **US D658,976 S**

(45) **Date of Patent:** **** May 8, 2012**

(54) **ROOF SAFETY ANCHOR**

(76) Inventor: **Sidney Owen Morrow, Jr.**, Red Bluff,
CA (US)

(**) Term: **14 Years**

(21) Appl. No.: **29/374,558**

(22) Filed: **Sep. 1, 2011**

(51) **LOC (9) Cl.** **08-05**

(52) **U.S. Cl.** **D8/367; D25/133**

(58) **Field of Classification Search** D8/367,
D8/371, 373, 354, 349, 355, 356, 330, 383;
D6/323; 248/215, 301, 339; 160/349.1,
160/349.2; 24/265 H, 265 R, 599.1, 599.8,
24/113 R, 573.5; 294/82.18; 29/525.1, 45.3;
D3/24; 223/106; 439/501; 70/421, 371,
70/369, 208; D25/68, 133, 102

See application file for complete search history.

(56) **References Cited**

U.S. PATENT DOCUMENTS

D32,320 S *	3/1900	Knapp	D8/367
D40,369 S *	11/1909	McBride	D8/367
D175,302 S *	8/1955	Gale	D8/367
D246,859 S *	1/1978	Schmitz	D25/68
D247,722 S *	4/1978	Lehto	D25/68
4,085,818 A *	4/1978	Swager	182/48
D247,950 S *	5/1978	Bottcher	D8/367
D270,476 S *	9/1983	Black	D25/68

D272,857 S *	2/1984	Leach	D25/68
D273,445 S *	4/1984	Lohman	D6/531
D374,558 S *	10/1996	Kain	D6/333
5,694,720 A *	12/1997	Walcher et al.	52/111
D397,453 S *	8/1998	Dahlin et al.	D25/131
D430,314 S *	8/2000	Shaw	D25/133
D534,792 S *	1/2007	Cooper	D8/382
D610,718 S *	2/2010	Ringus et al.	D25/133
D613,589 S *	4/2010	Goodman et al.	D8/367
D645,572 S *	9/2011	Von Handorf	D25/102

* cited by examiner

Primary Examiner — Cynthia Underwood

(74) *Attorney, Agent, or Firm* — Grant's Law Firm; Allan Howard Grant

(57) **CLAIM**

I claim the ornamental design for a roof safety anchor, as shown and as described.

DESCRIPTION

FIG. 1 is a perspective view of the roof safety anchor shown in use positioned over a beam on a roof, the broken lines forming no part of the claim;

FIG. 2 is a perspective view of the roof safety anchor.

FIG. 3 is the front view of the roof safety anchor.

FIG. 4 is a back view of the roof safety anchor.

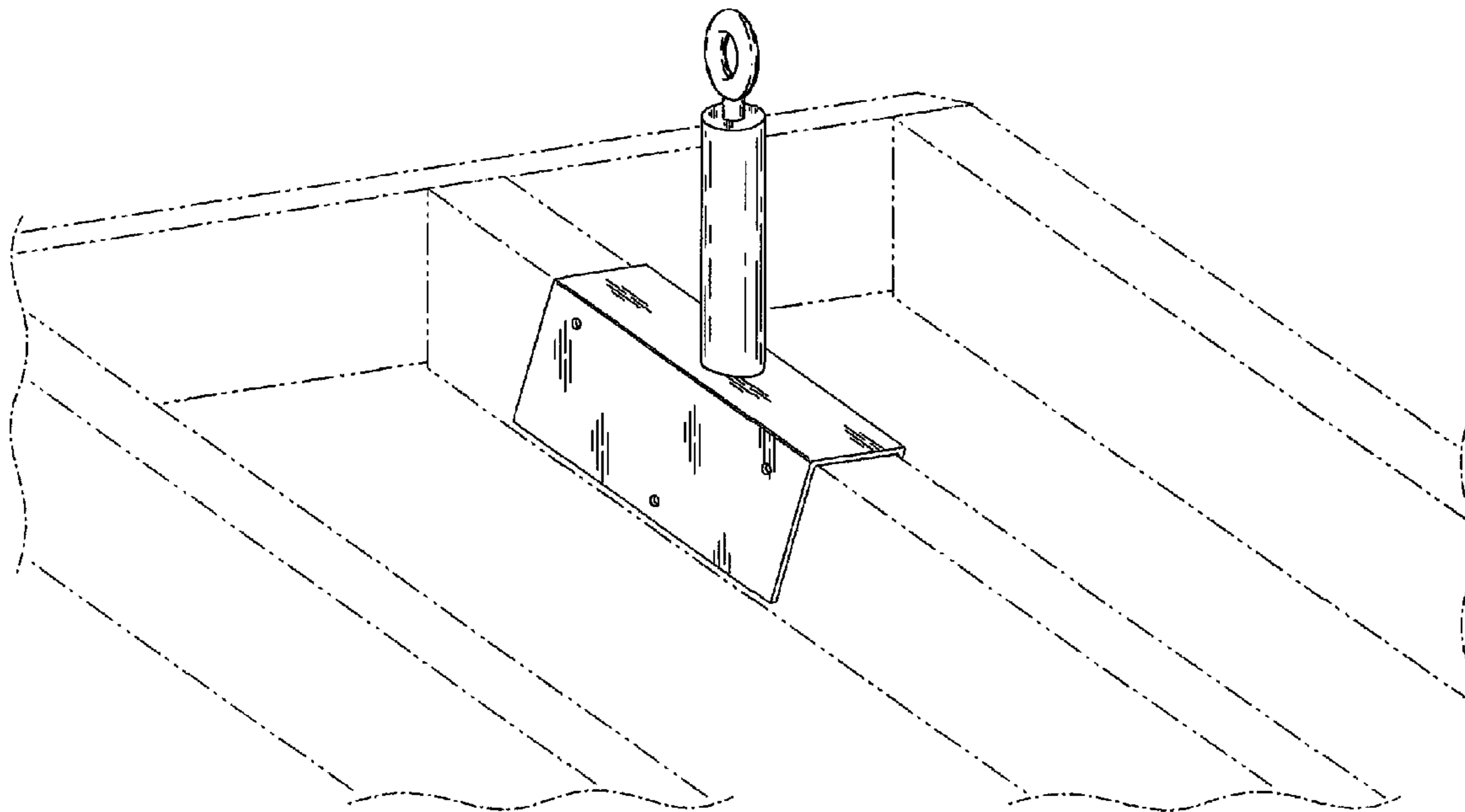
FIG. 5 is a side view of the roof safety anchor.

FIG. 6 is the other side view of the roof safety anchor.

FIG. 7 is a top view of the roof safety anchor; and,

FIG. 8 is bottom view of the roof safety anchor.

1 Claim, 4 Drawing Sheets



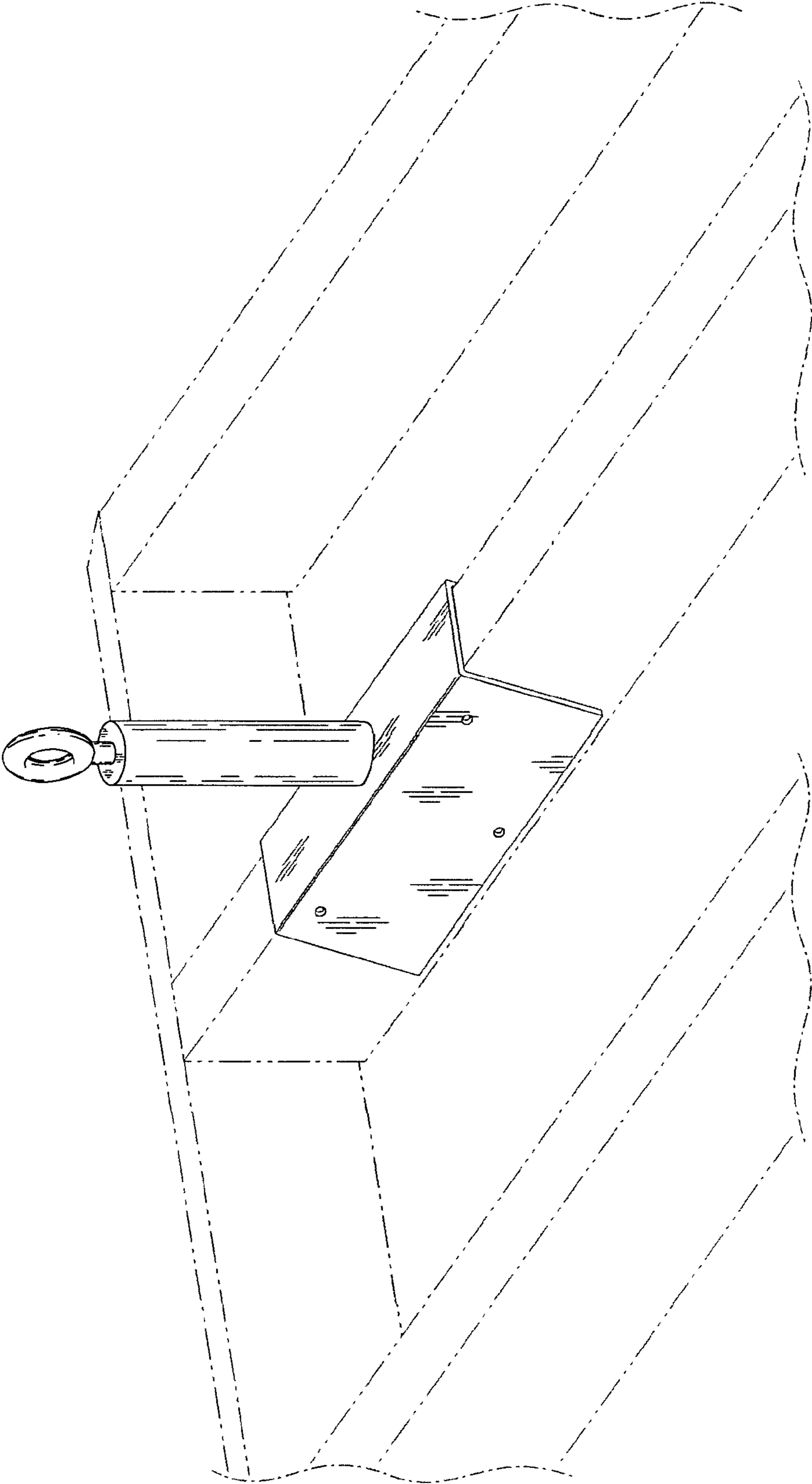


Fig. 1

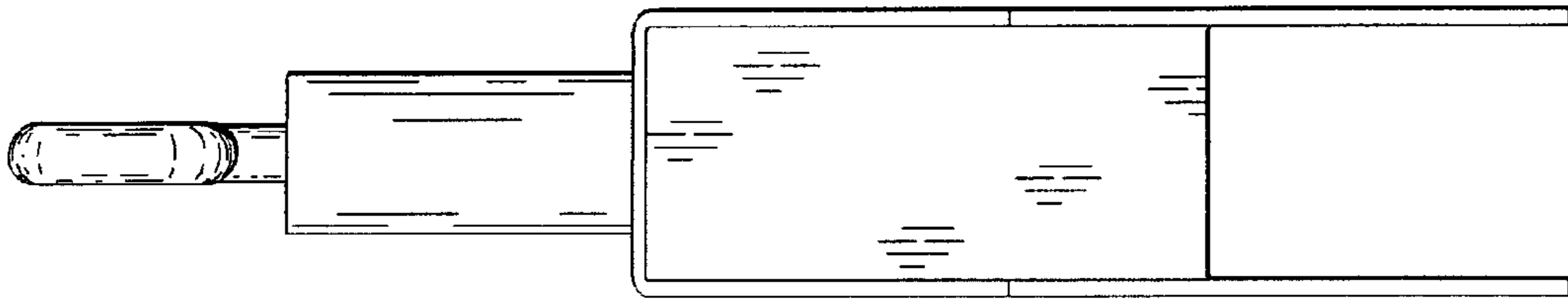


Fig. 4

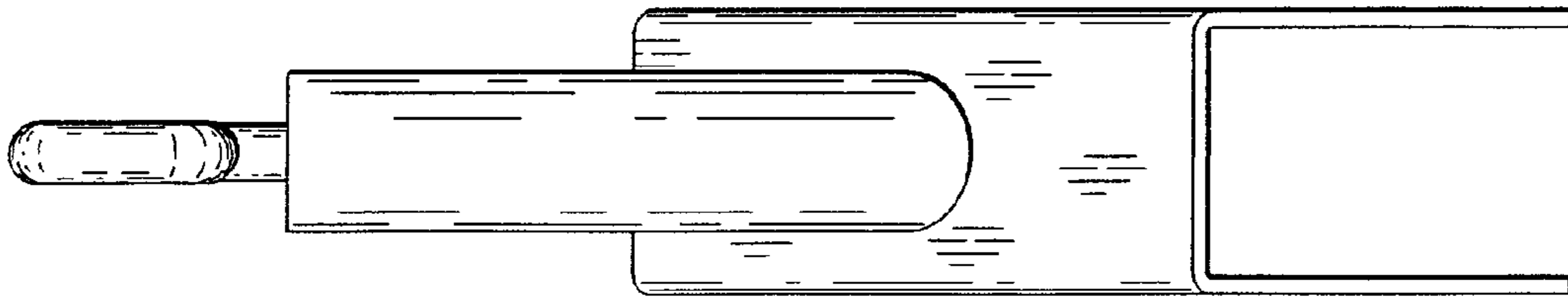


Fig. 3

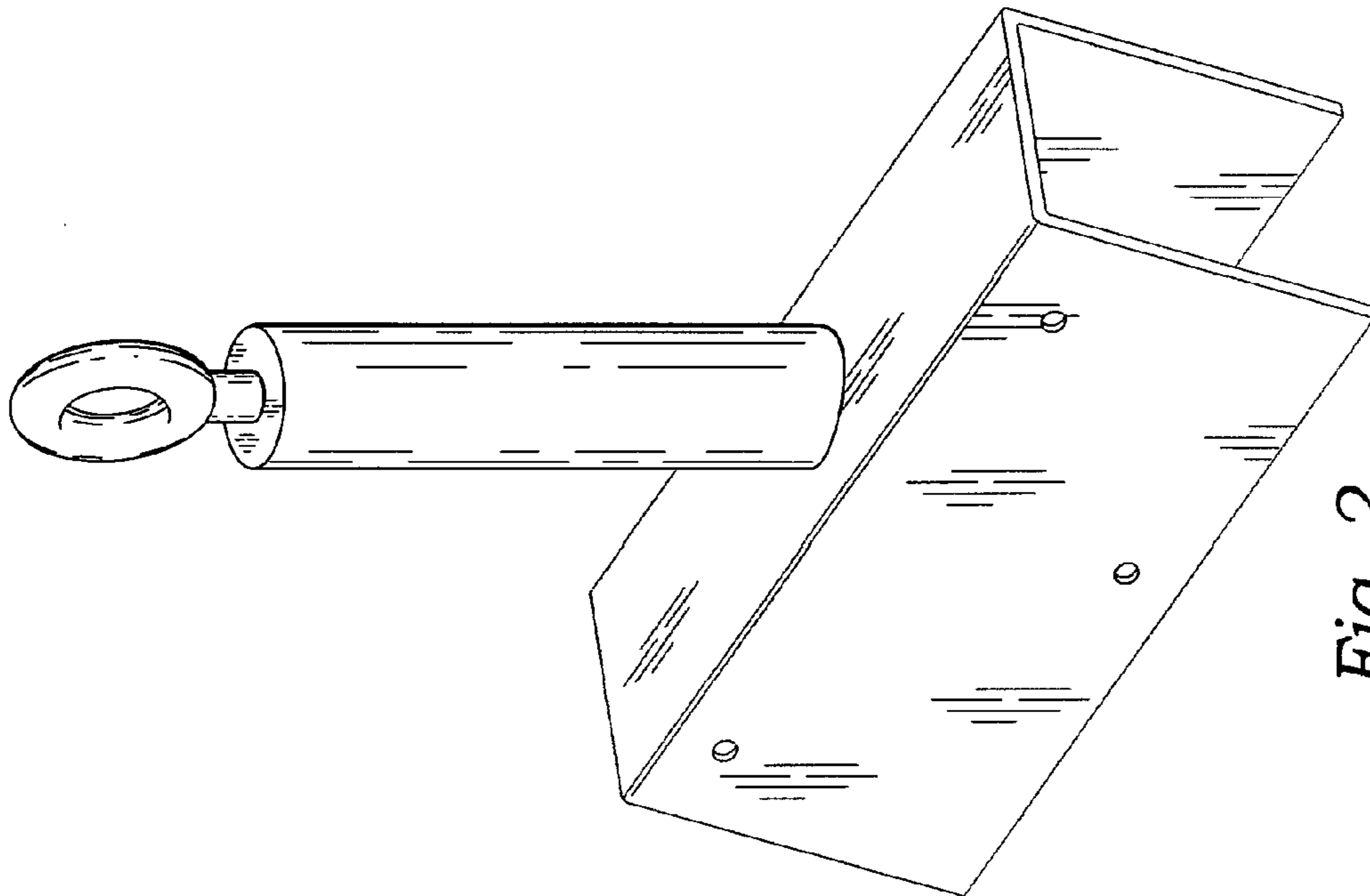


Fig. 2

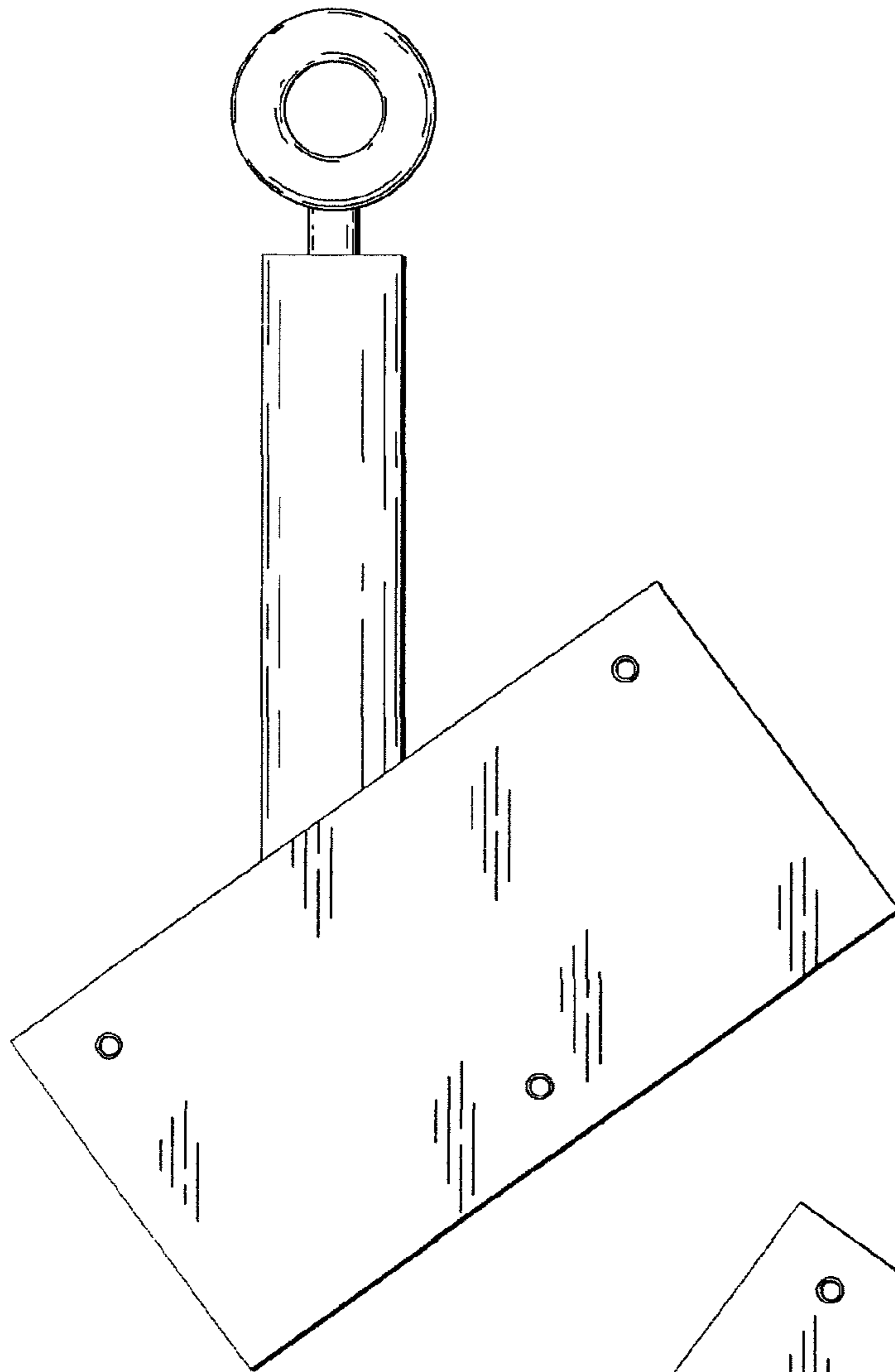


Fig. 5

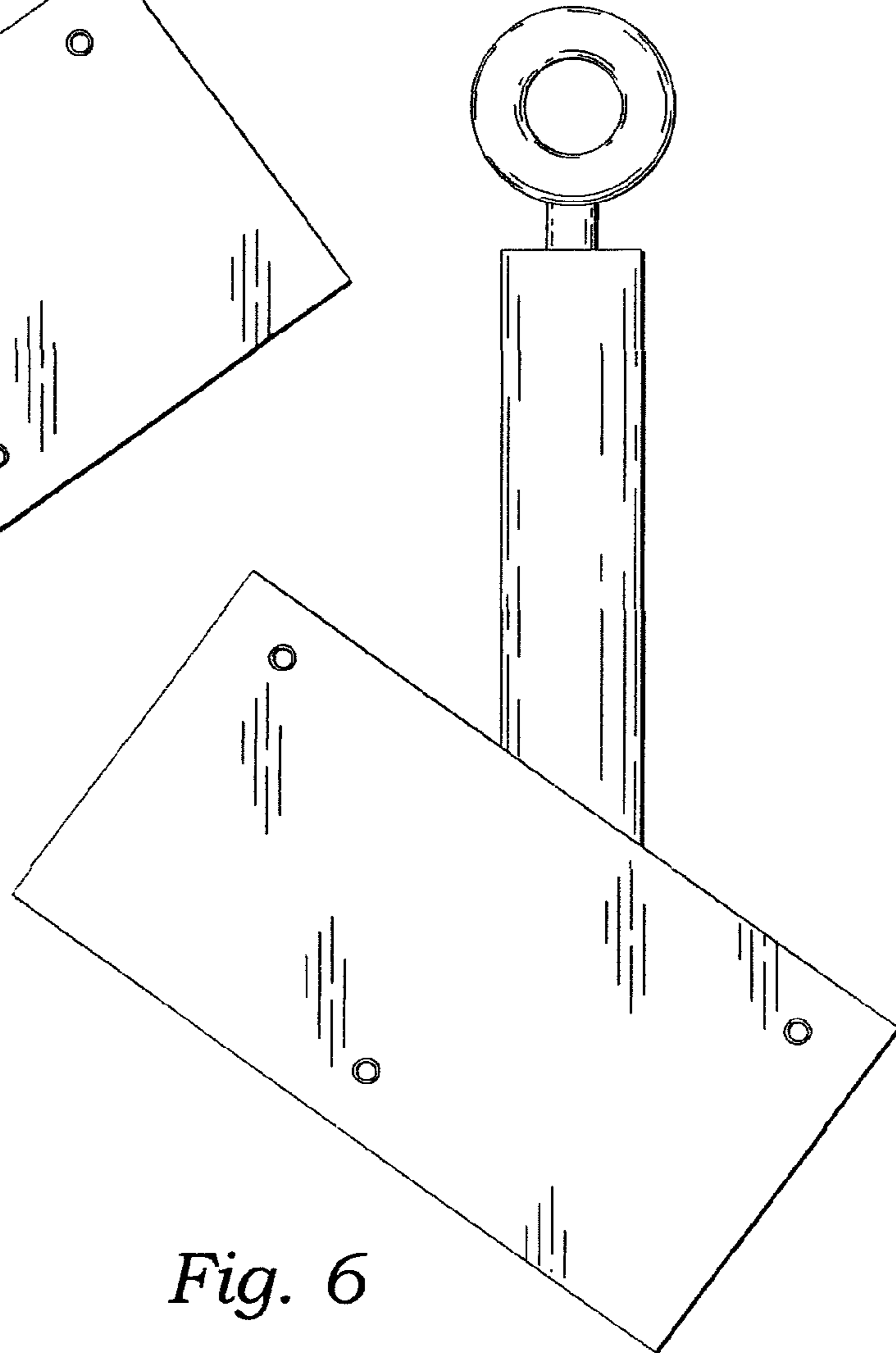


Fig. 6

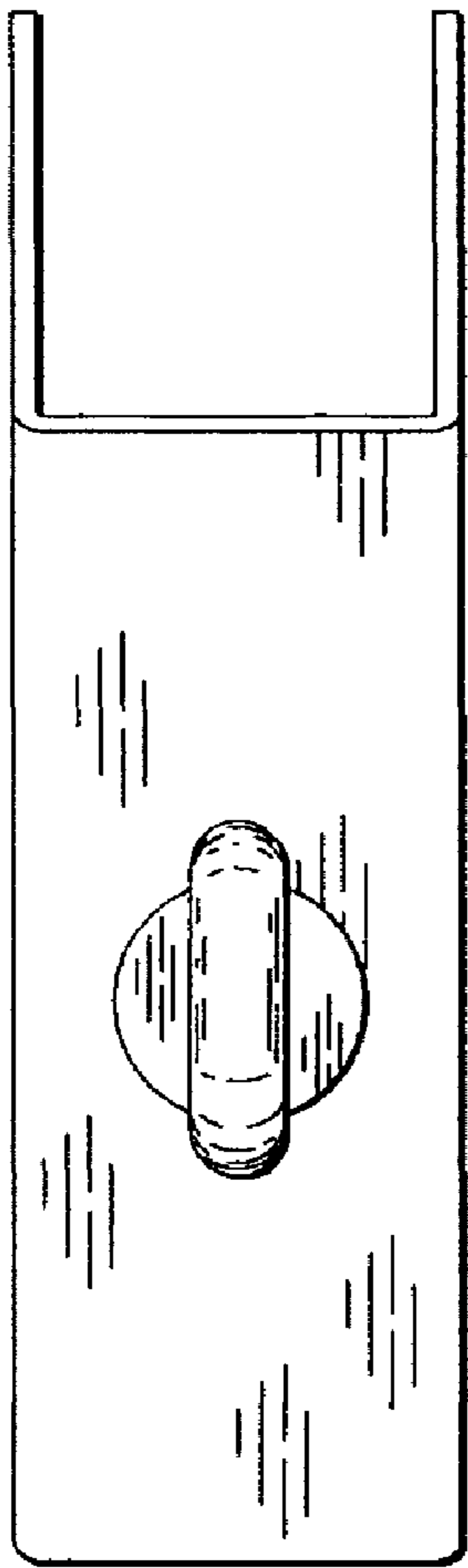


Fig. 7

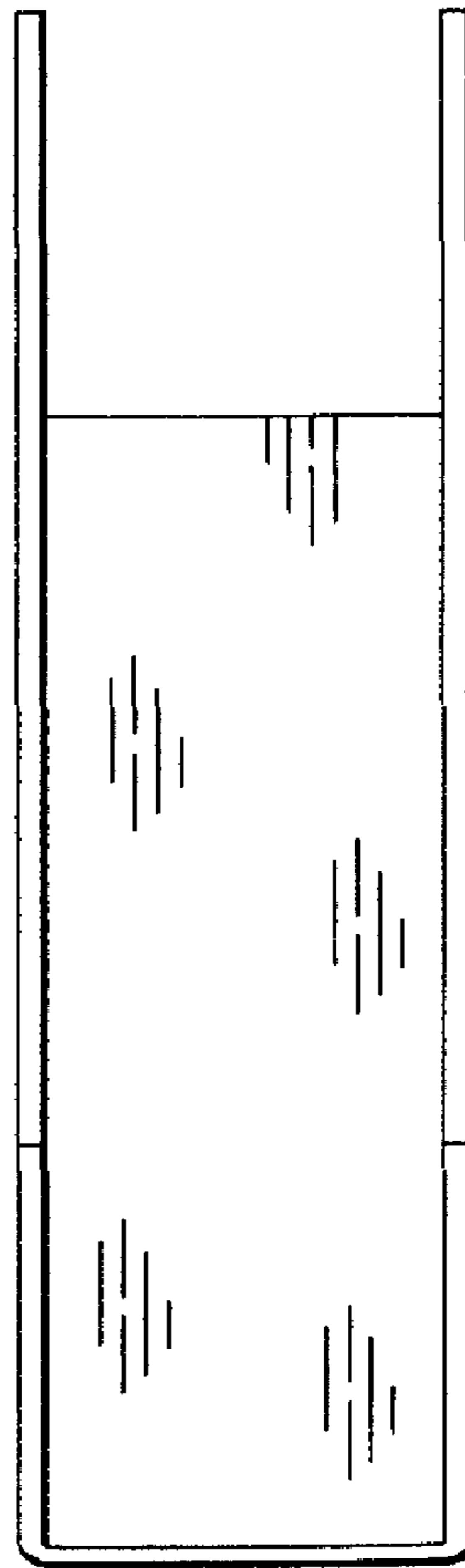


Fig. 8