



US00D658975S

(12) **United States Design Patent**
Cordova et al.

(10) **Patent No.:** **US D658,975 S**

(45) **Date of Patent:** **** May 8, 2012**

(54) **SAFETY ANCHOR**

(75) Inventors: **Tina Cordova**, Albuquerque, NM (US);
Russ Steward, Albuquerque, NM (US);
Bill Cordova, Albuquerque, NM (US)

(73) Assignee: **Queston Construction**, Albuquerque,
NM (US)

(**) Term: **14 Years**

(21) Appl. No.: **29/369,868**

(22) Filed: **Sep. 14, 2010**

Related U.S. Application Data

(63) Continuation of application No. 11/249,294, filed on
Oct. 12, 2005, now abandoned.

(60) Provisional application No. 60/617,773, filed on Oct.
12, 2004.

(51) **LOC (9) Cl.** **08-05**

(52) **U.S. Cl.** **D8/367; D8/354**

(58) **Field of Classification Search** D8/354,
D8/367; D25/199; 182/3, 113, 45; 52/713,
52/27, 749.12; 248/505, 37, 237
See application file for complete search history.

(56) **References Cited**

U.S. PATENT DOCUMENTS

D209,172	S	*	11/1967	Brock	D8/367
D314,133	S		1/1991	Issard		
5,011,106	A		4/1991	Cody		
5,054,576	A		10/1991	Glynn		
D329,196	S	*	9/1992	Schor	D8/373
5,143,171	A		9/1992	Glynn et al.		
5,287,944	A		2/1994	Woodyard		
5,307,897	A		5/1994	Turner et al.		
5,320,193	A		6/1994	Bongiovanni et al.		
5,363,610	A	*	11/1994	Thomas et al.	52/167.8
5,687,535	A	*	11/1997	Rohlf	52/713
5,730,407	A	*	3/1998	Ostrobrod	248/237

5,850,889	A	*	12/1998	Rexroad et al.	182/3
6,173,809	B1		1/2001	Cole et al.		
6,227,329	B1	*	5/2001	Ador	182/3
D446,442	S	*	8/2001	Simpson	D8/354
D452,424	S	*	12/2001	Simpson, Sr.	D8/107
6,439,344	B1		8/2002	Cole		
6,688,427	B2		2/2004	Cole		
6,691,826	B1		2/2004	Dean		
6,695,095	B1	*	2/2004	Franke	182/3
D492,576	S	*	7/2004	Fiorentino et al.	D8/354
D515,910	S	*	2/2006	Gates et al.	D8/354
D531,486	S		11/2006	Ferris		
D533,441	S	*	12/2006	Mastenbroek	D8/354
7,163,083	B2	*	1/2007	Argoud	182/113
D537,085	S	*	2/2007	Armstrong et al.	D14/489
D565,206	S	*	3/2008	Nelson et al.	D25/199
D594,314	S	*	6/2009	Hutter, III	D8/354
D619,879	S	*	7/2010	McCarthy et al.	D8/354
2001/0032435	A1		10/2001	Austin		
2002/0066417	A1		6/2002	Frazer et al.		
2003/0051429	A1		3/2003	Hovenier		
2005/0169735	A1		8/2005	Pelsue		
2005/0189171	A1		9/2005	Bos		

* cited by examiner

Primary Examiner — Cynthia Underwood

(74) *Attorney, Agent, or Firm* — Deborah A. Peacock; Justin
R. Jackson; Peacock Myers, P.C.

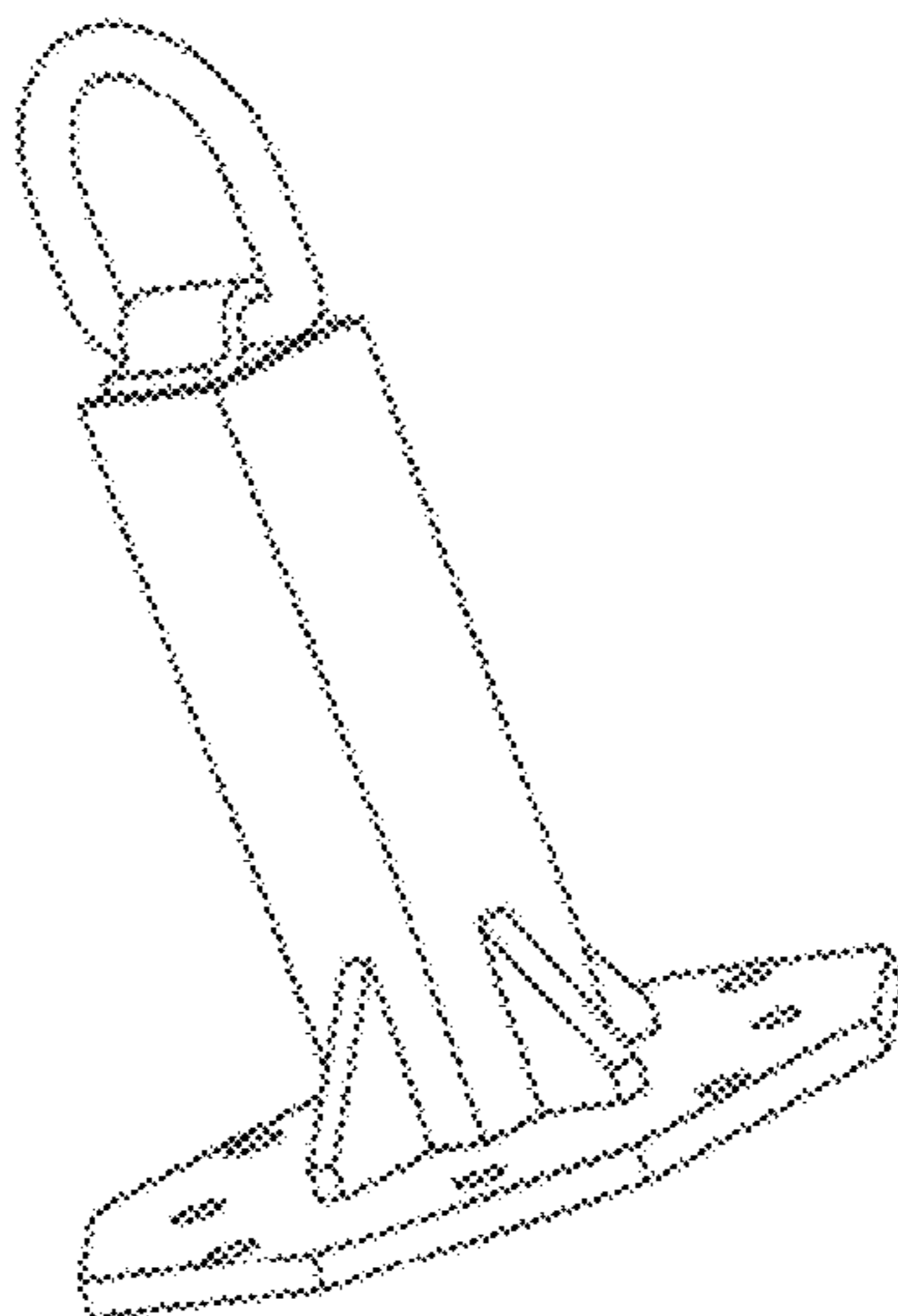
(57) **CLAIM**

The ornamental design for a safety anchor, as shown and
described.

DESCRIPTION

FIG. 1 is a perspective view of a safety anchor;
FIG. 2 is a top view thereof;
FIG. 3 is a bottom view thereof;
FIG. 4 is a front view thereof; and,
FIG. 5 is a left side view thereof, the right side view being
identical thereto
In the drawings, the back view would be a mirror image of the
front view. The right side view would be a mirror image of the
left side view.

1 Claim, 4 Drawing Sheets



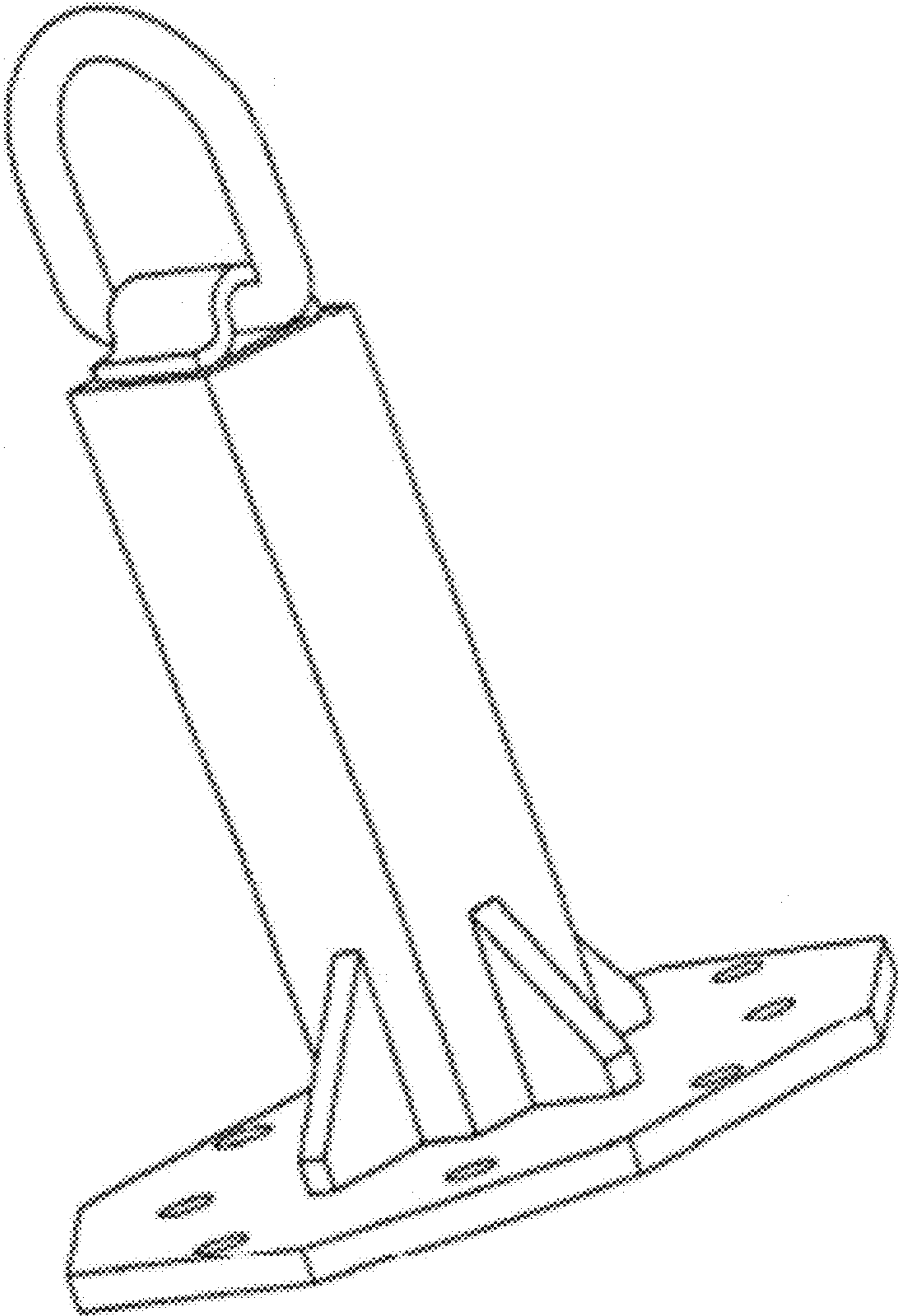


Fig. 1

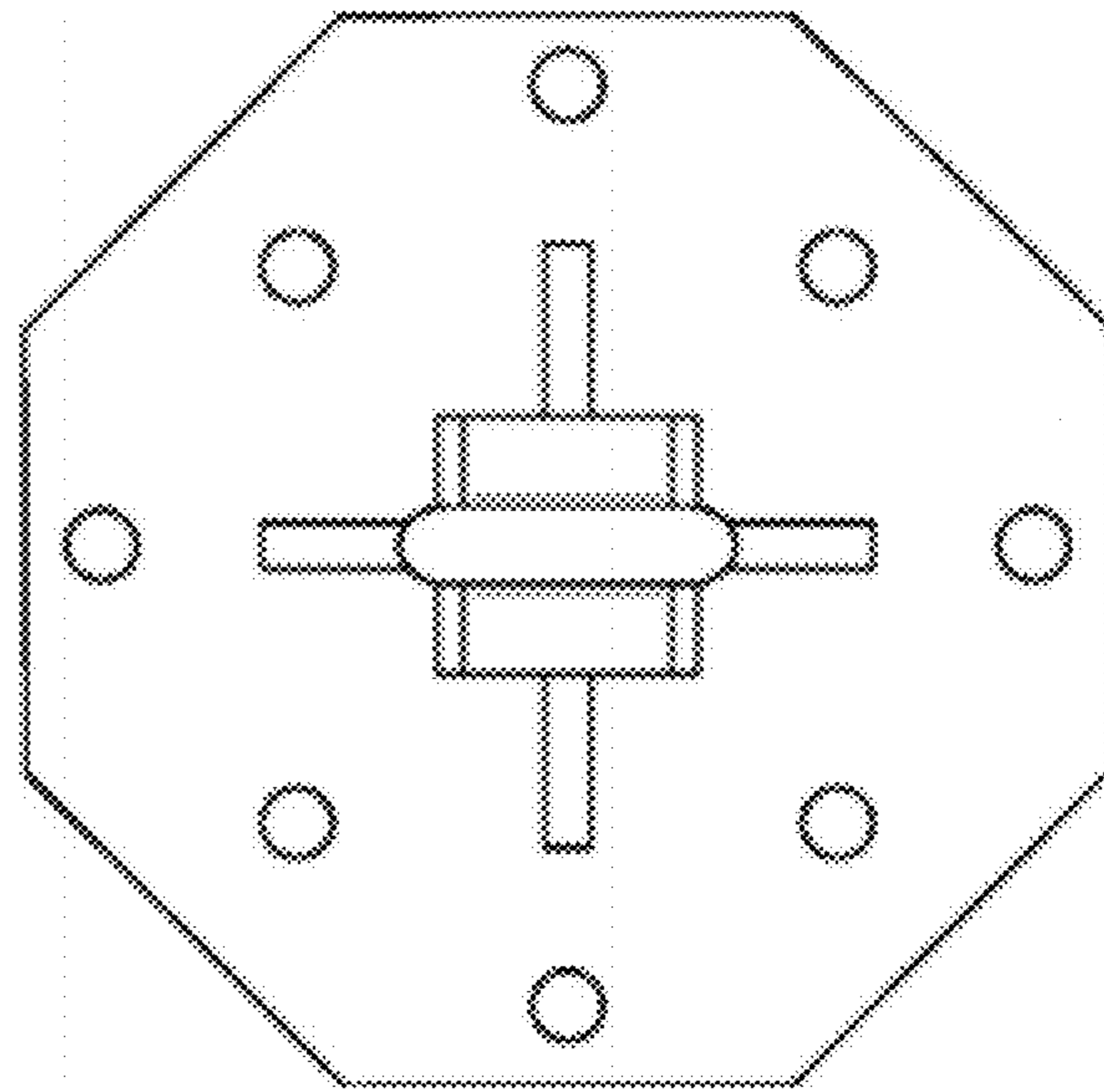


Fig. 2

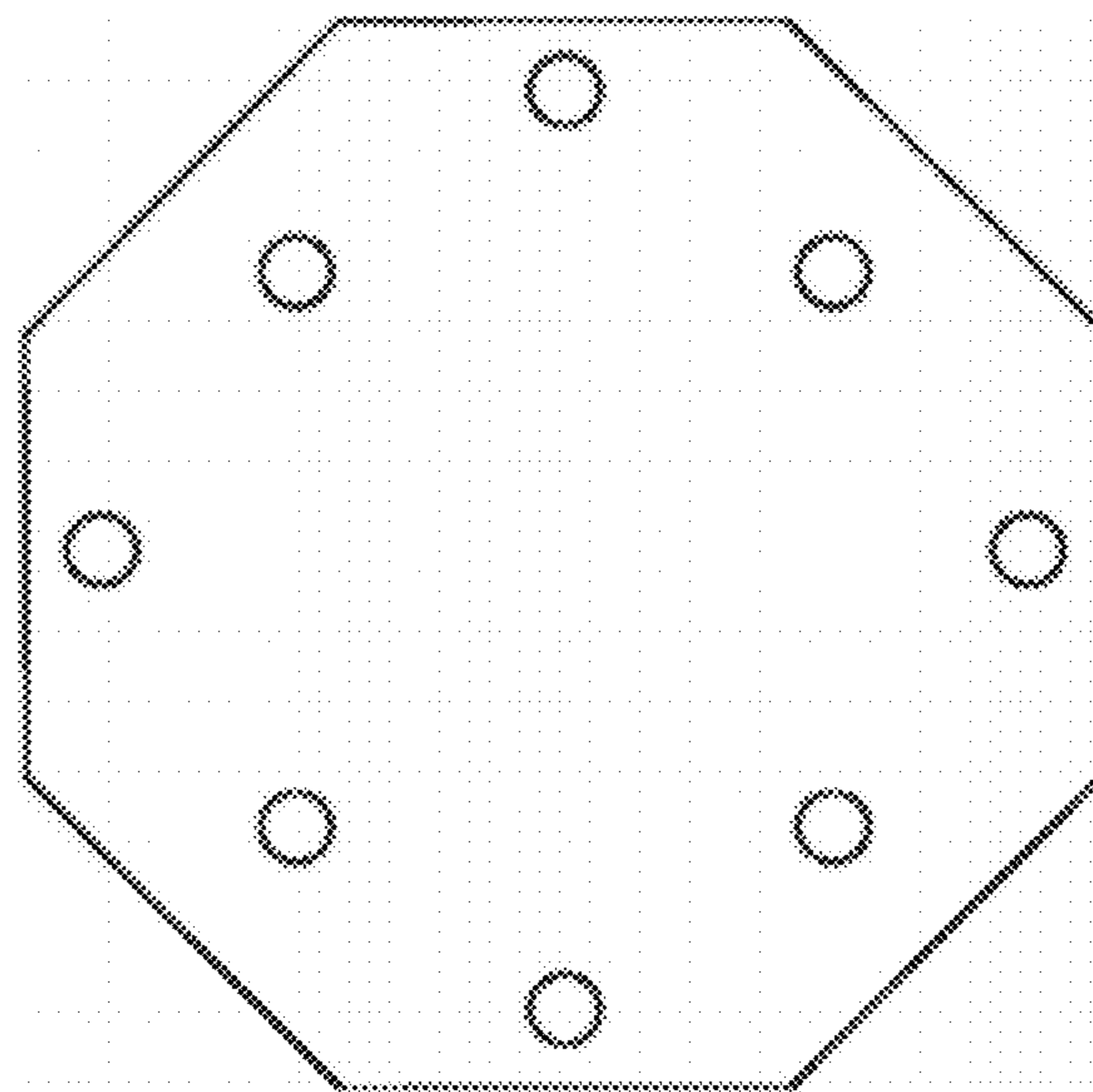


Fig. 3

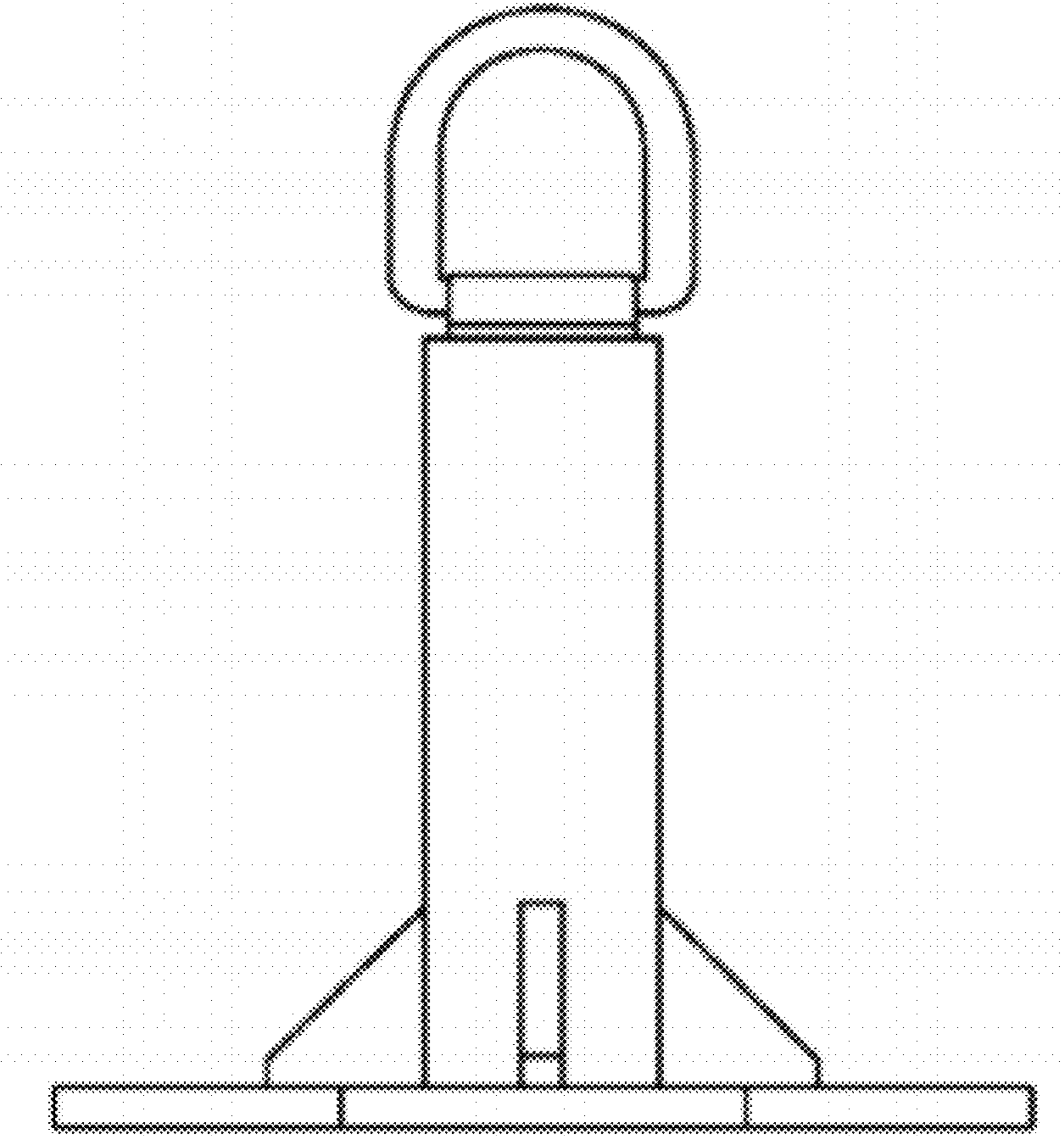


Fig. 4

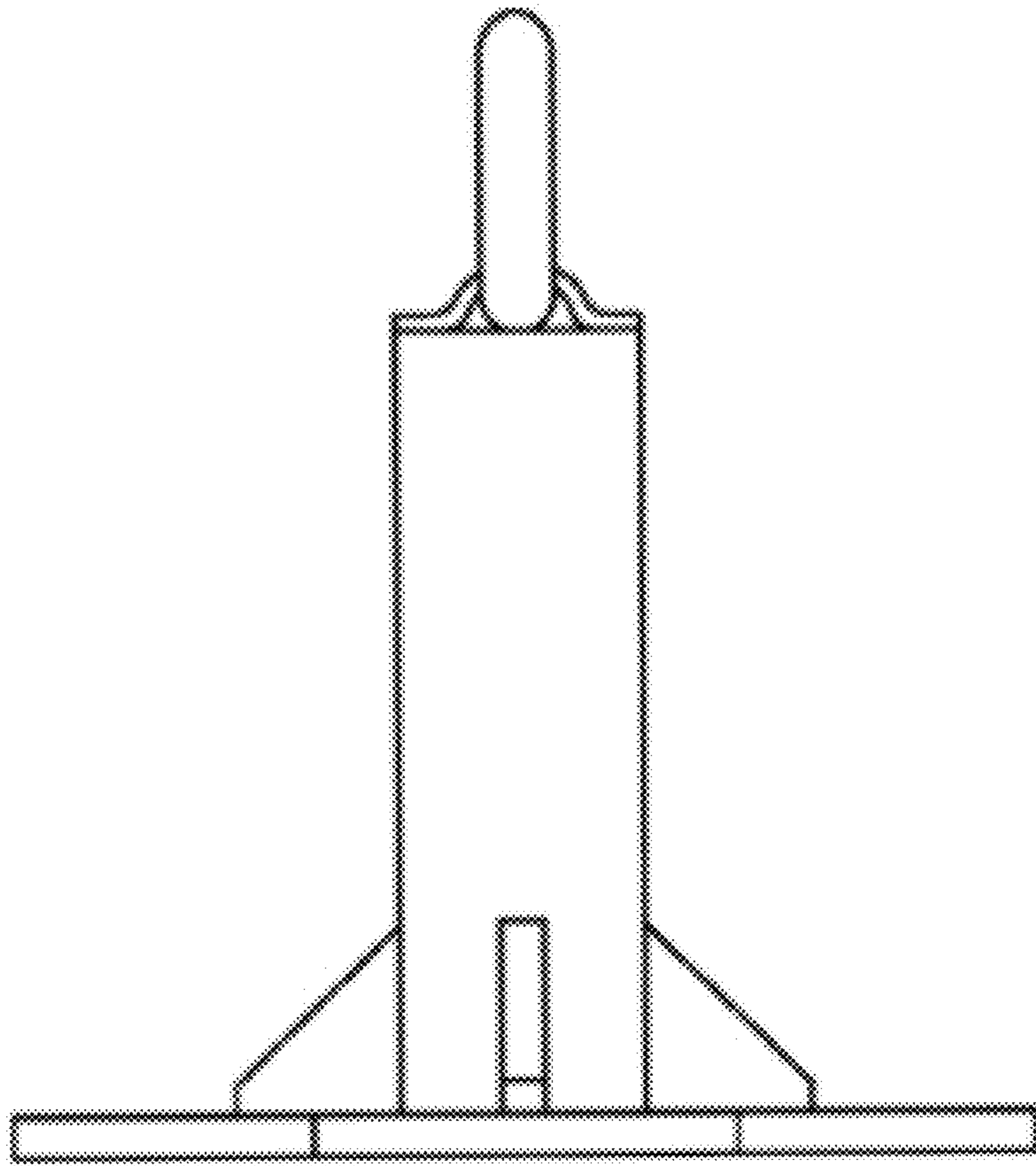


Fig. 5