



US00D658974S

(12) **United States Design Patent**
Komeno

(10) **Patent No.:** **US D658,974 S**
(45) **Date of Patent:** **** May 8, 2012**

(54) **CLIP**

(75) Inventor: **Jun Komeno, Okazaki (JP)**

(73) Assignee: **Daiwa Kasei Kogyo Kabushiki Kaisha, Aichi-Ken (JP)**

(**) Term: **14 Years**

(21) Appl. No.: **29/403,352**

(22) Filed: **Oct. 5, 2011**

(30) **Foreign Application Priority Data**

Apr. 6, 2011 (JP) 2011-007916

(51) **LOC (9) Cl.** **08-05**

(52) **U.S. Cl.** **D8/356**

(58) **Field of Classification Search** D8/356,
D8/354, 349, 360, 355, 361, 362, 366, 367,
D8/380, 373, 377, 395; 411/431, 372.5;
248/304, 305, 339, 217.2, 493, 49; 24/698;
294/16; 138/106; D23/200, 262

See application file for complete search history.

(56) **References Cited**

U.S. PATENT DOCUMENTS

D329,194 S *	9/1992	Gillooly	D8/356
5,207,403 A *	5/1993	Penniman	248/215
D473,448 S *	4/2003	Wu et al.	D8/356
D479,378 S *	9/2003	Simpson	D34/35
D494,452 S *	8/2004	Sheldon et al.	D8/367
D538,137 S *	3/2007	Dukes	D8/356
D556,021 S *	11/2007	Sexton	D8/356

7,496,994 B1 *	3/2009	Headley	24/303
D647,389 S *	10/2011	Gracia	D8/367
2005/0076602 A1 *	4/2005	Routhier	52/698

FOREIGN PATENT DOCUMENTS

JP	10528691	5/2000
JP	1332480	5/2008
JP	1333205	5/2008

* cited by examiner

Primary Examiner — Cynthia Underwood

(74) *Attorney, Agent, or Firm* — Dennison, Schultz & MacDonald

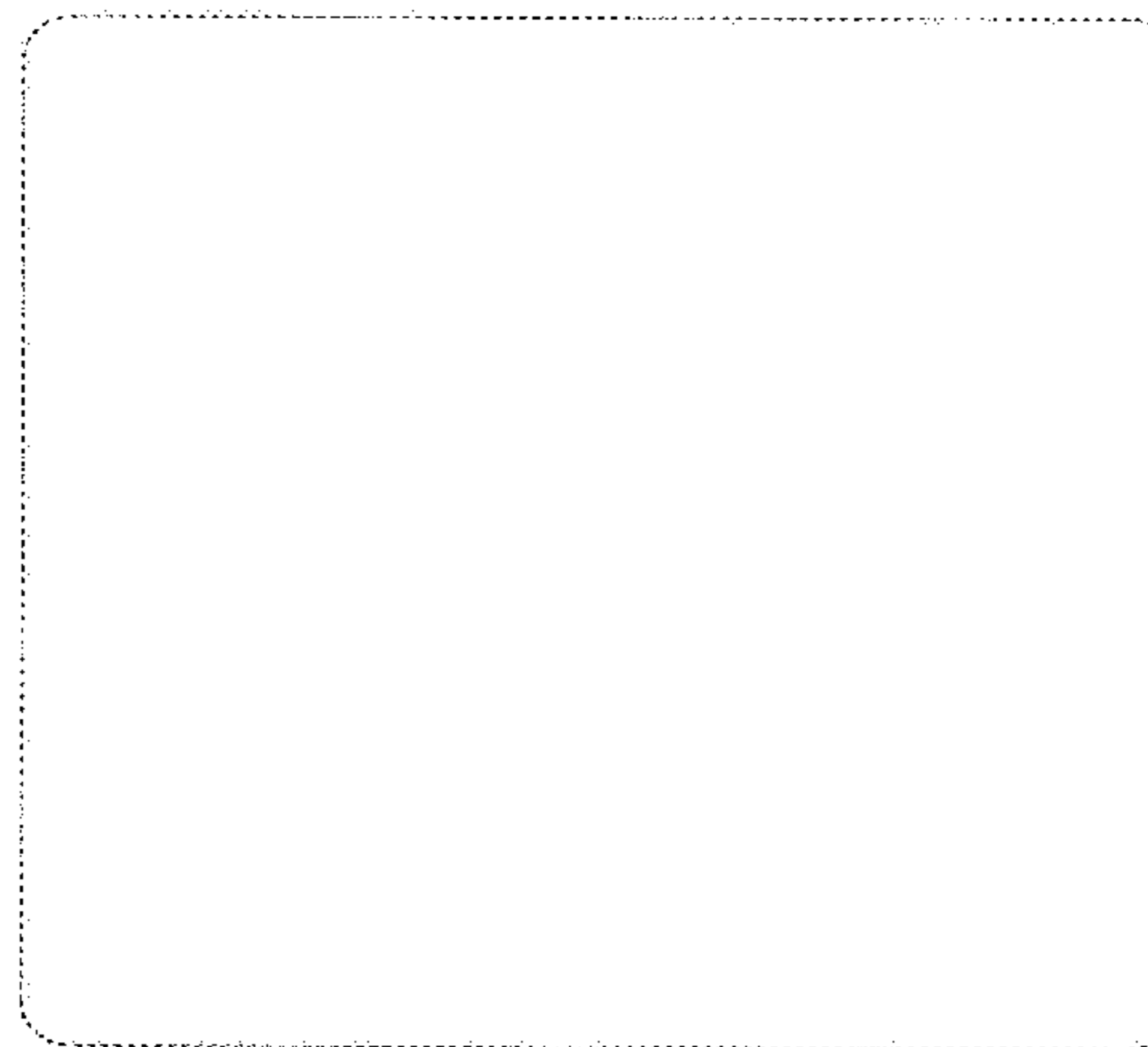
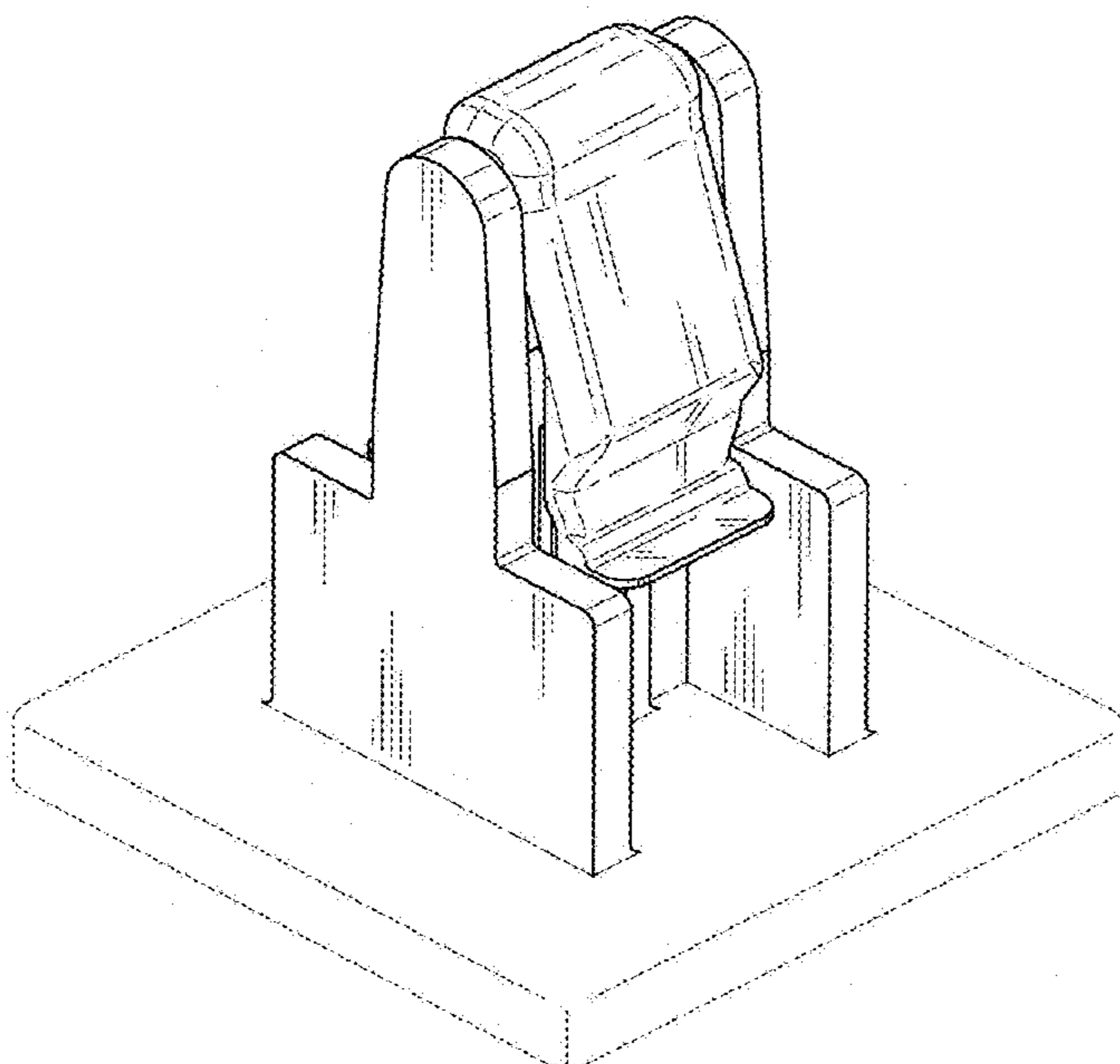
(57) **CLAIM**

The ornamental design for a clip, as shown and described.

DESCRIPTION

FIG. 1 is a front perspective view showing my new design;
 FIG. 2 is a front elevational view thereof;
 FIG. 3 is a right side elevational view thereof;
 FIG. 4 is a top plan view thereof;
 FIG. 5 is a bottom plan view thereof;
 FIG. 6 is a sectional view thereof taken along line 6-6 in FIG. 3;
 FIG. 7 is a sectional view thereof taken along line 7-7 in FIG. 3;
 FIG. 8 is a perspective view thereof showing the design in its environment; and,
 FIG. 9 is a sectional view thereof showing the design in its environment.
 Those portions of the drawings shown in broken lines form no part of the claimed design.

1 Claim, 9 Drawing Sheets



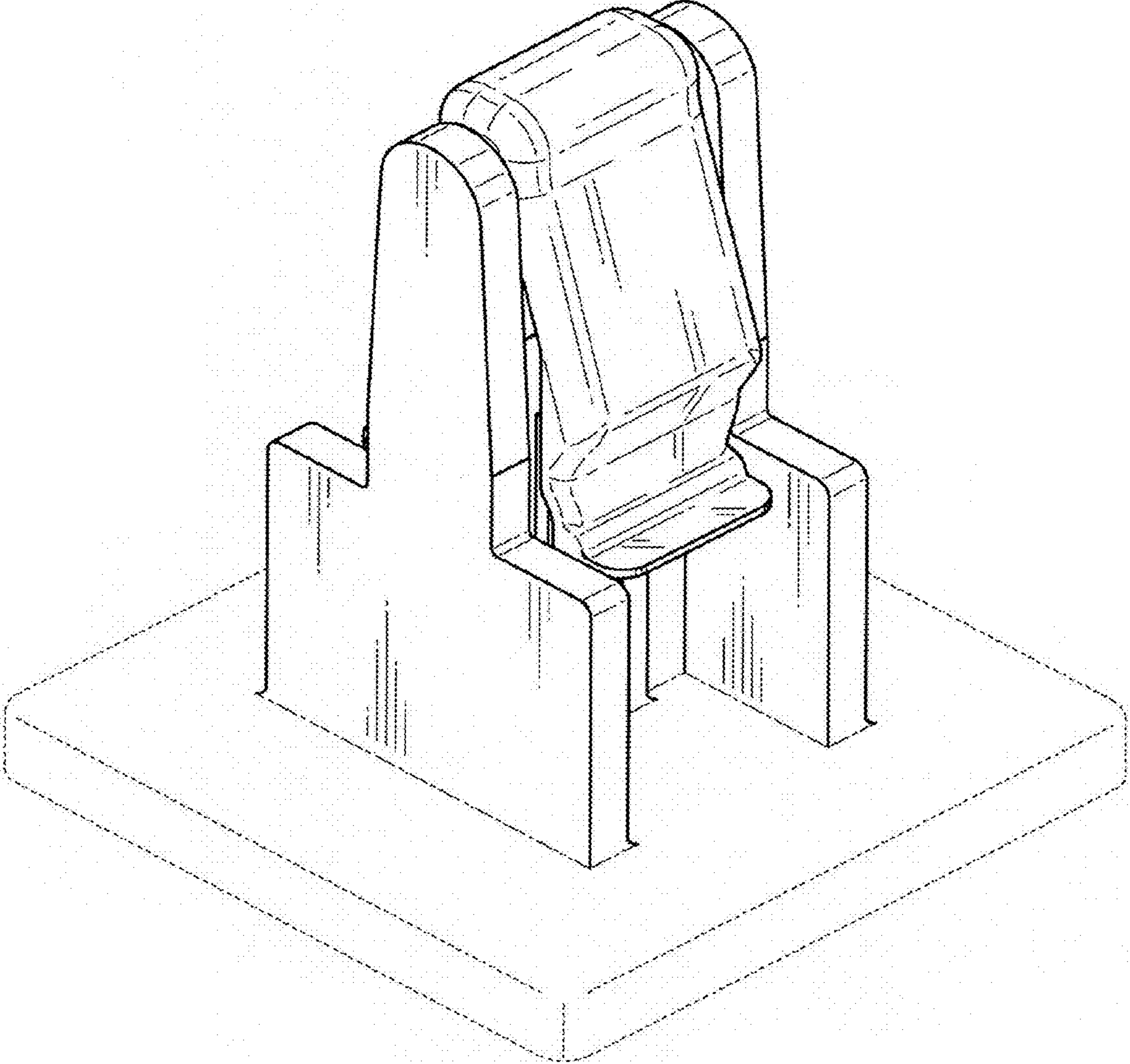


FIG. 1

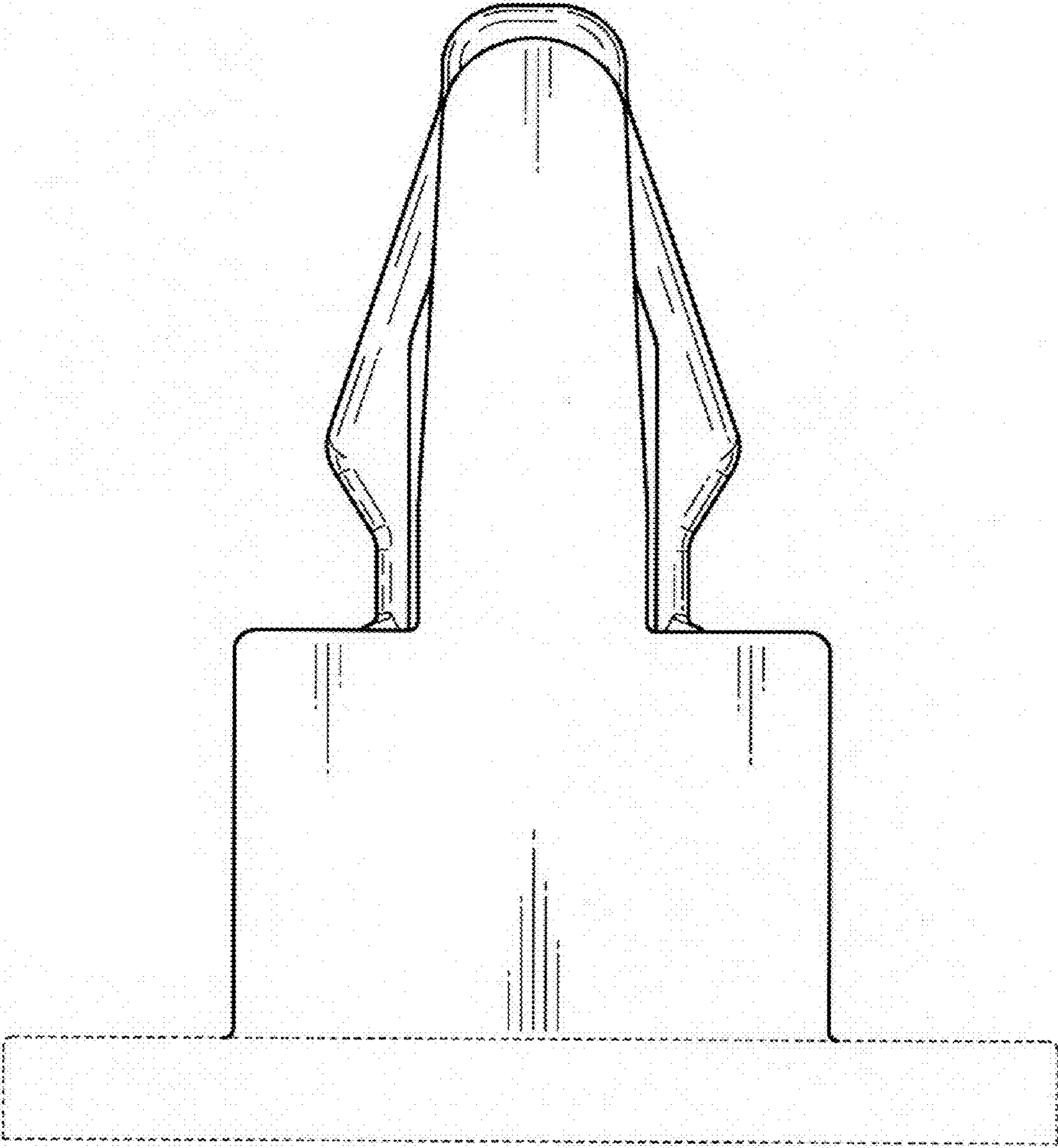


FIG. 2

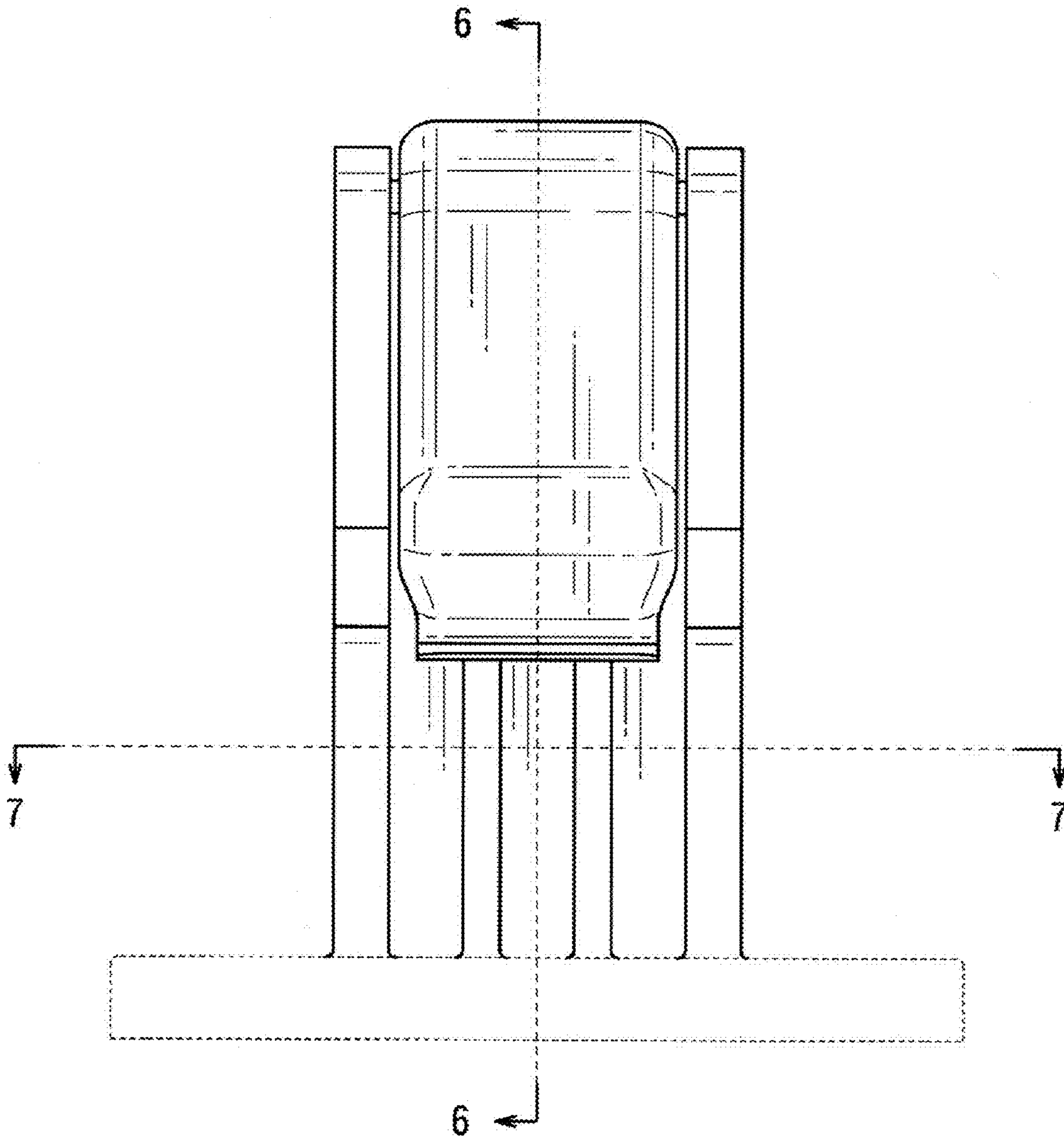


FIG. 3

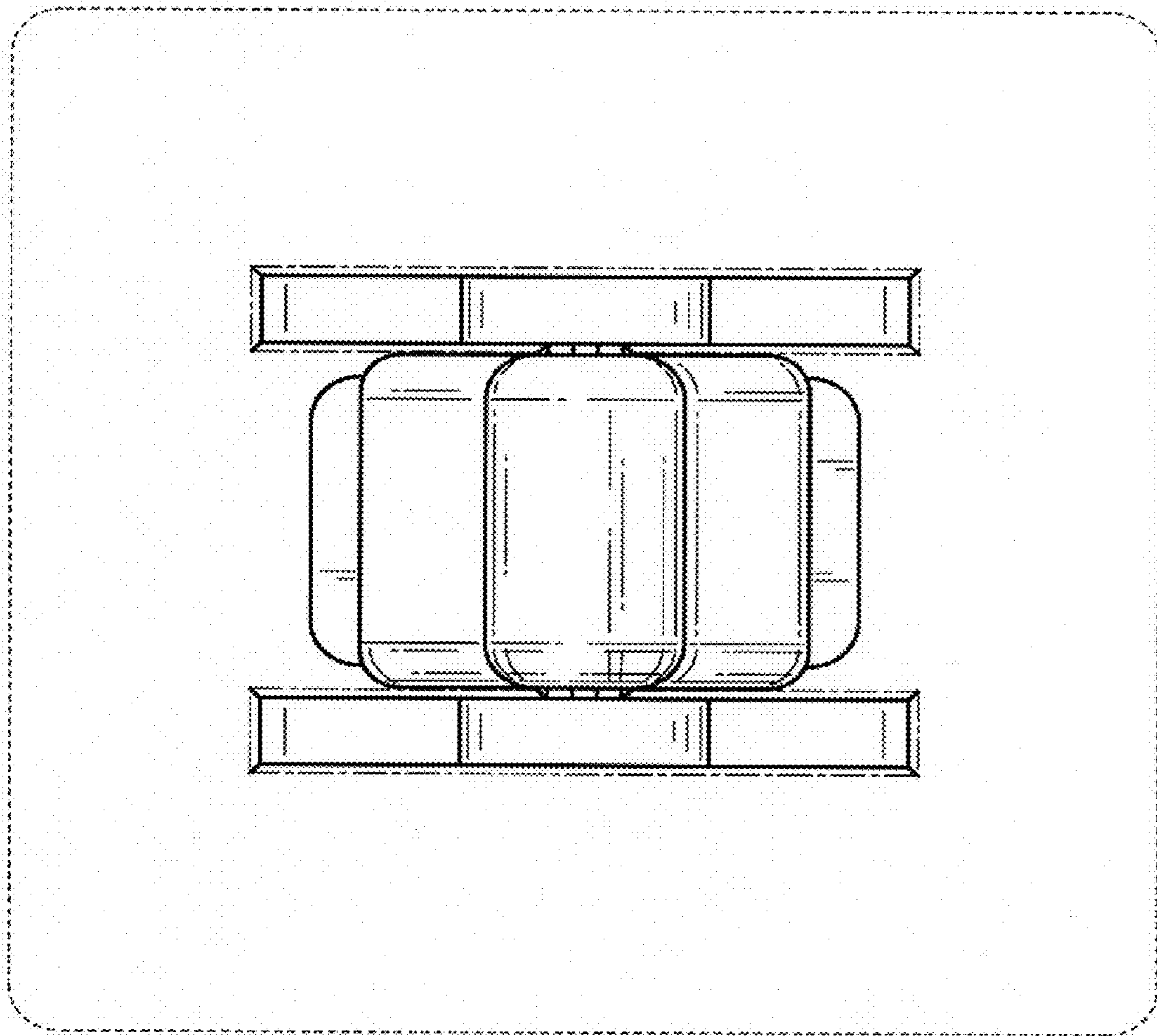


FIG. 4

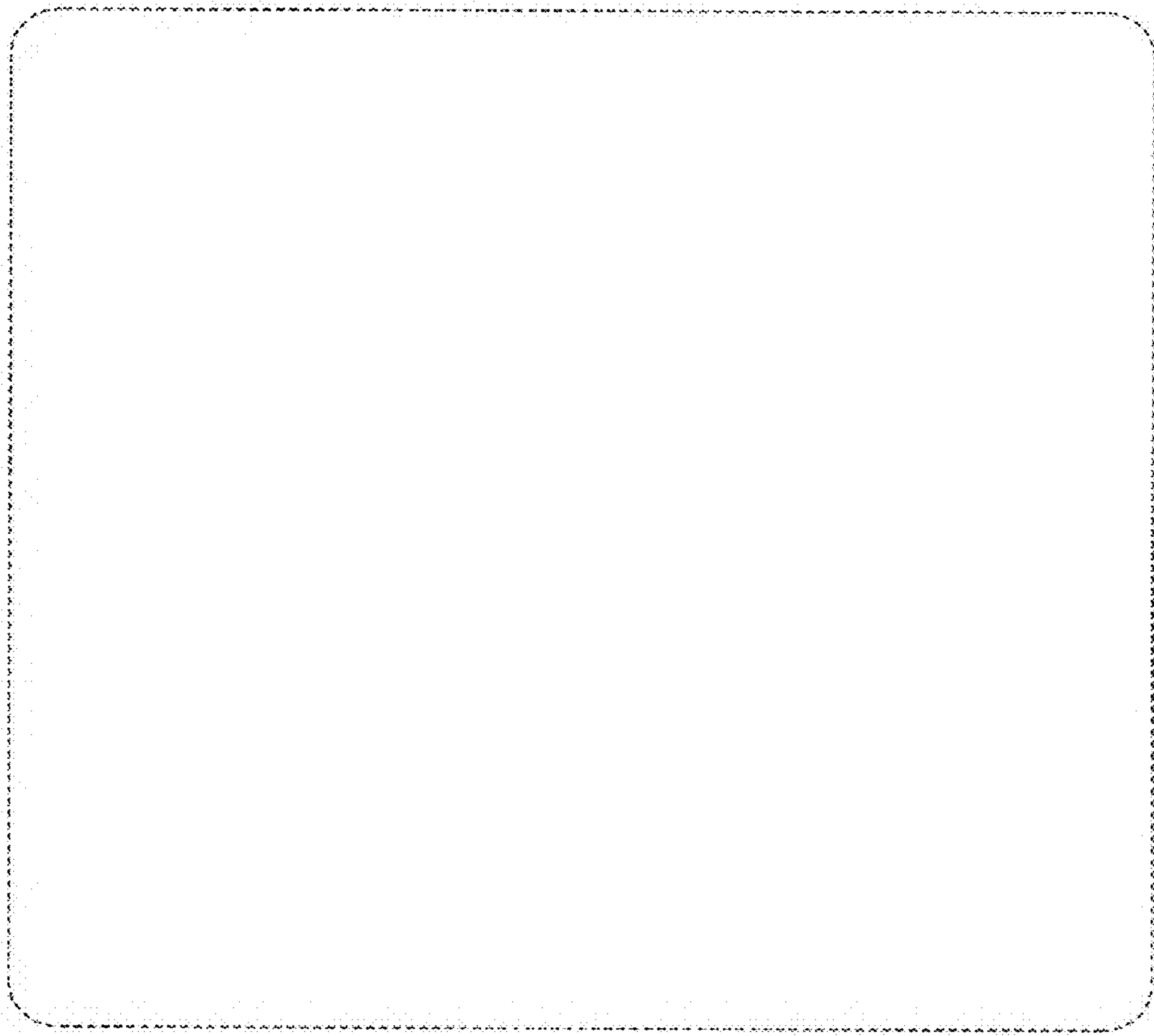


FIG. 5

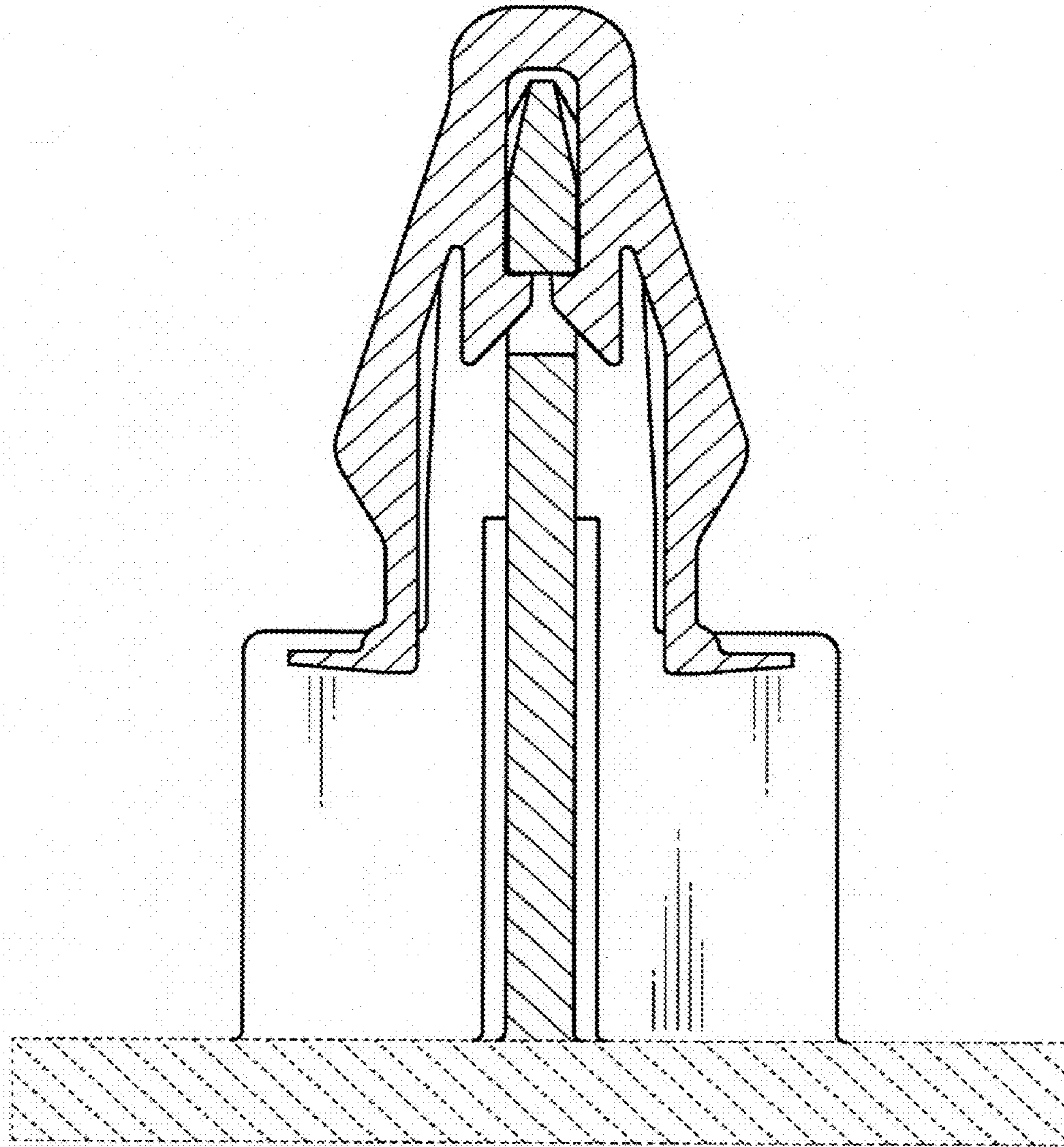


FIG. 6

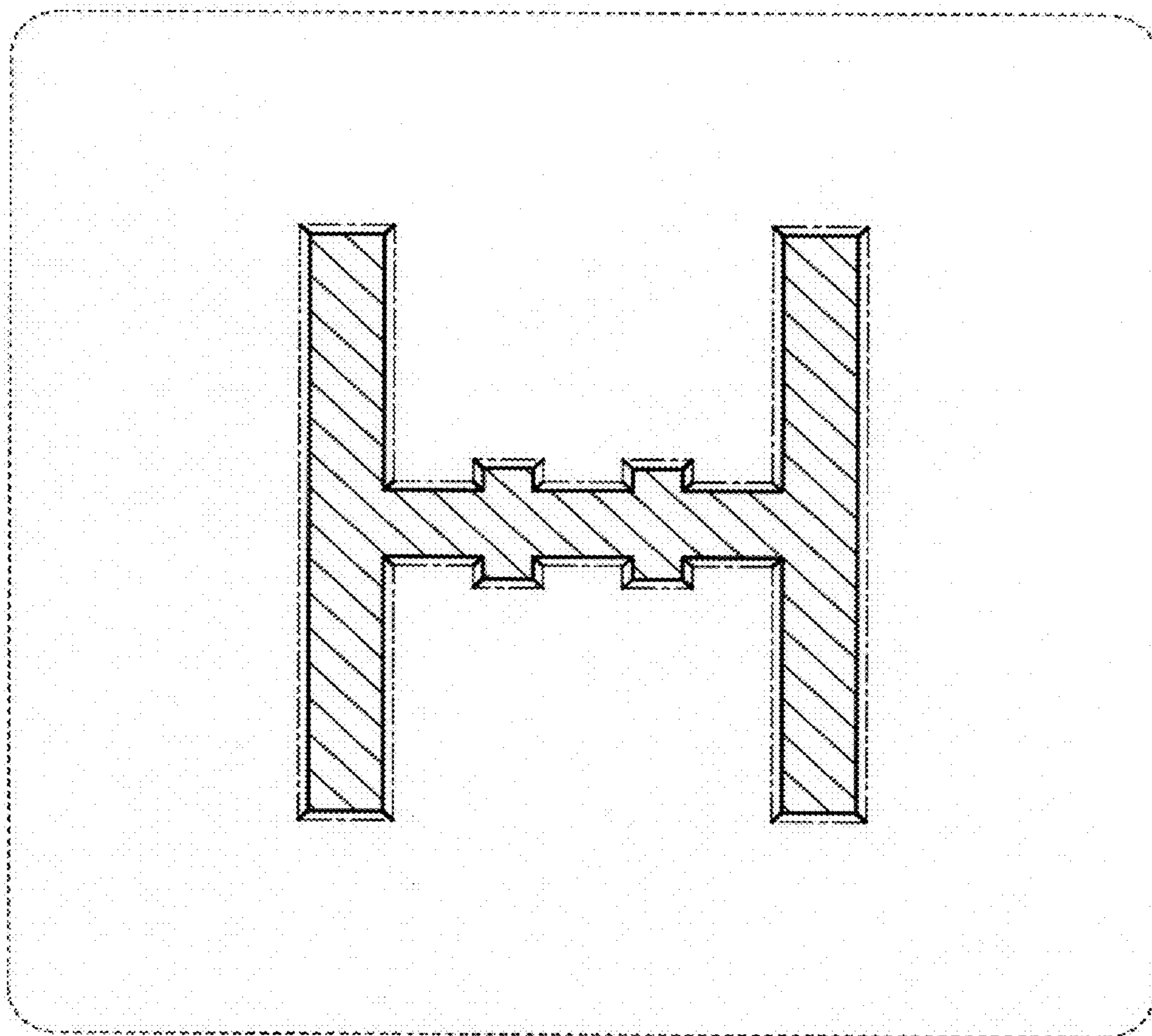


FIG. 7

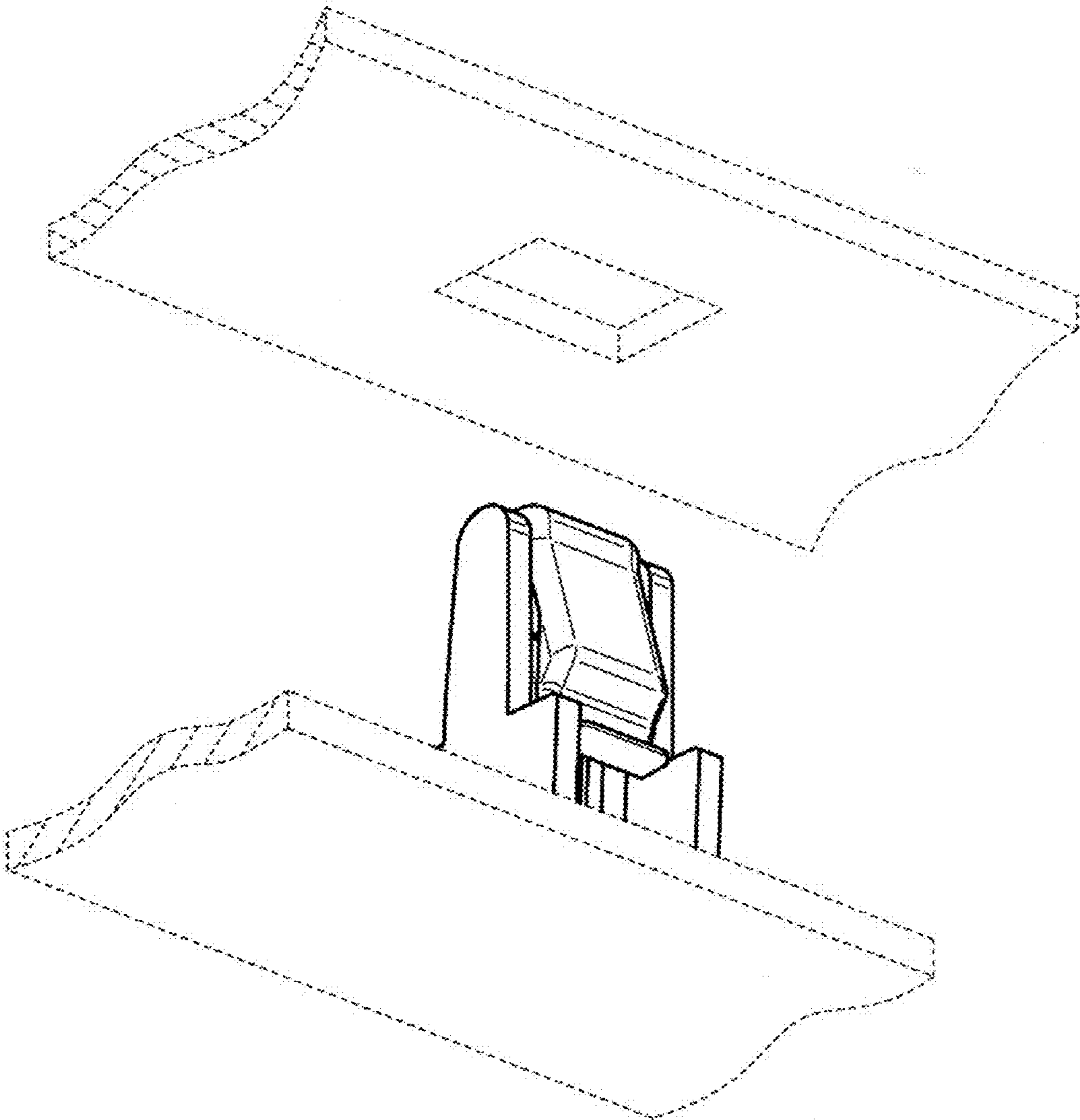


FIG. 8

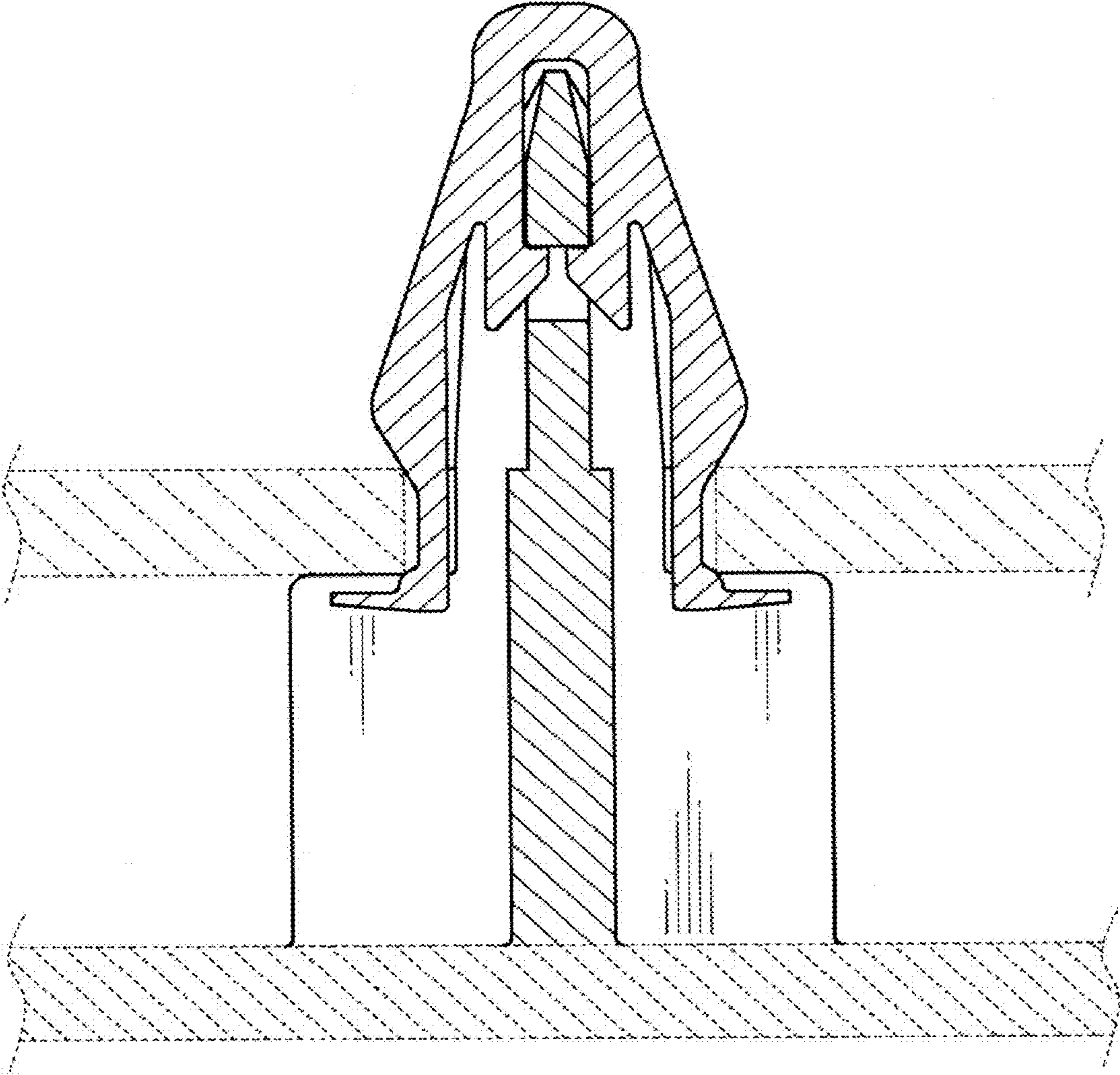


FIG. 9