



US00D658973S

(12) **United States Design Patent**
Drake

(10) **Patent No.:** **US D658,973 S**
(45) **Date of Patent:** **** May 8, 2012**

(54) **SHOCK SHIM**

(76) **Inventor:** **Robert Allen Drake**, Grants Pass, OR
(US)

(**) **Term:** **14 Years**

(21) **Appl. No.:** **29/390,479**

(22) **Filed:** **Apr. 25, 2011**

(51) **LOC (9) Cl.** **08-07**

(52) **U.S. Cl.** **D8/349**

(58) **Field of Classification Search** D1/100,
D1/127-130, 199; D11/10-11, 26-28, 40-43,
D11/75, 89-93; D28/8.1; D21/386; D24/100-101;
119/702, 707-711; D8/354, 380, 395, 399;
16/2.1-2.5; 267/292-64.28, 108-109
See application file for complete search history.

(56) **References Cited**

U.S. PATENT DOCUMENTS

875,985	A *	1/1908	Conery	510/149
3,635,535	A *	1/1972	Schultenkamper	384/371
3,884,457	A *	5/1975	Leko	267/162
6,063,404	A *	5/2000	Timpe et al.	424/464
D500,576	S *	1/2005	Kraus	D1/199
D550,899	S *	9/2007	Yanagi	D28/4

OTHER PUBLICATIONS

http://www.swmanufacturing.com/parts_category.asp?TYP_ID=16[Feb. 15, 2012 8:43:41 AM].*

* cited by examiner

Primary Examiner — Michael Pratt

(74) *Attorney, Agent, or Firm* — Jerry Haynes Law

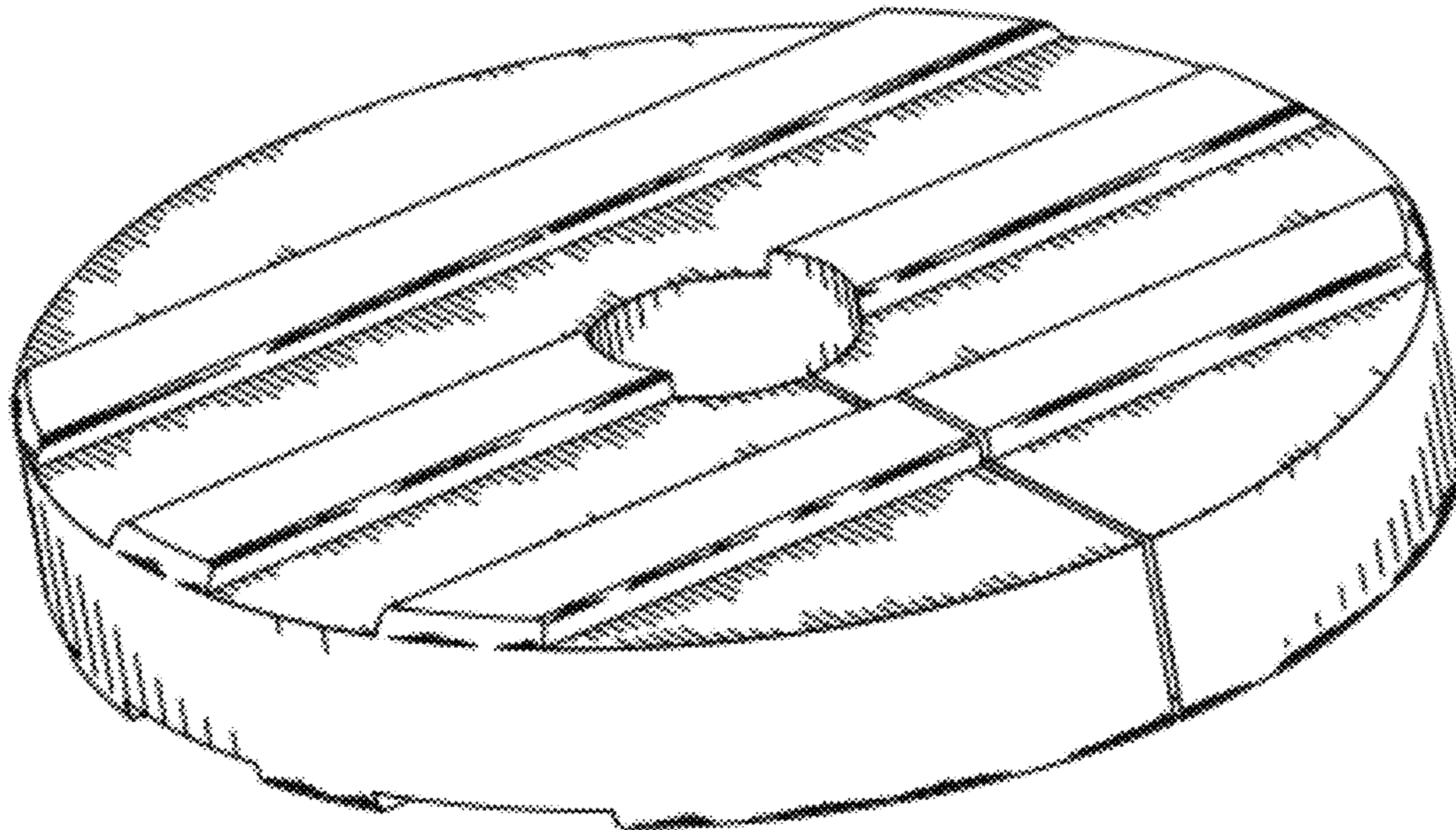
(57) **CLAIM**

The ornamental design for a shock shim, as shown and described.

DESCRIPTION

FIG. 1 is a top perspective view of a shock shim showing the new design;
FIG. 2 is a right side view thereof, the left side view being the same image thereof;
FIG. 3 is a back view thereof;
FIG. 4 is a front view thereof;
FIG. 5 is a top view thereof;
FIG. 6 is a bottom view thereof; and,
FIG. 7 is a front perspective view thereof of the design in the context in which it is intended to be used, the dashed lines form no part of the claimed design.

1 Claim, 3 Drawing Sheets



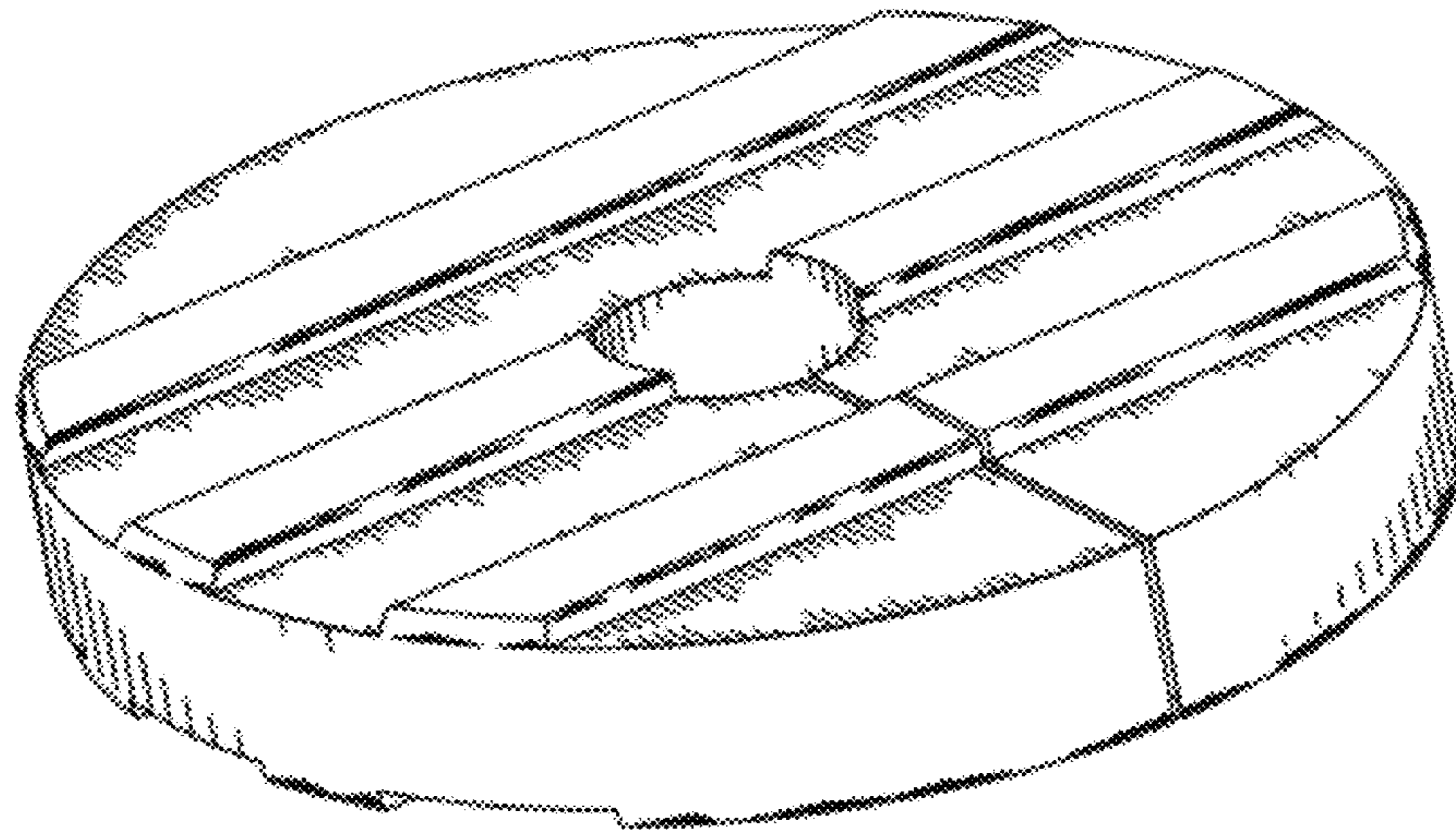


FIG. 1



FIG. 2



FIG. 3

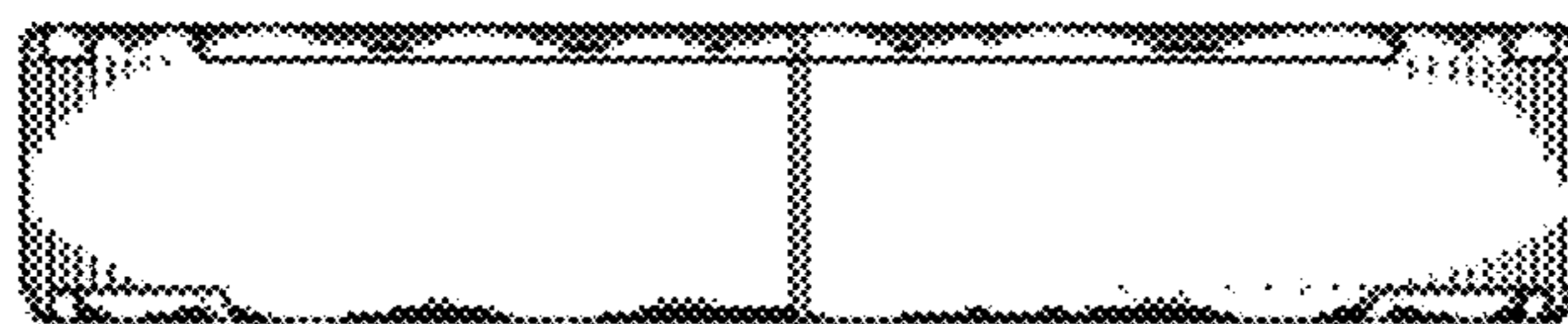


FIG. 4

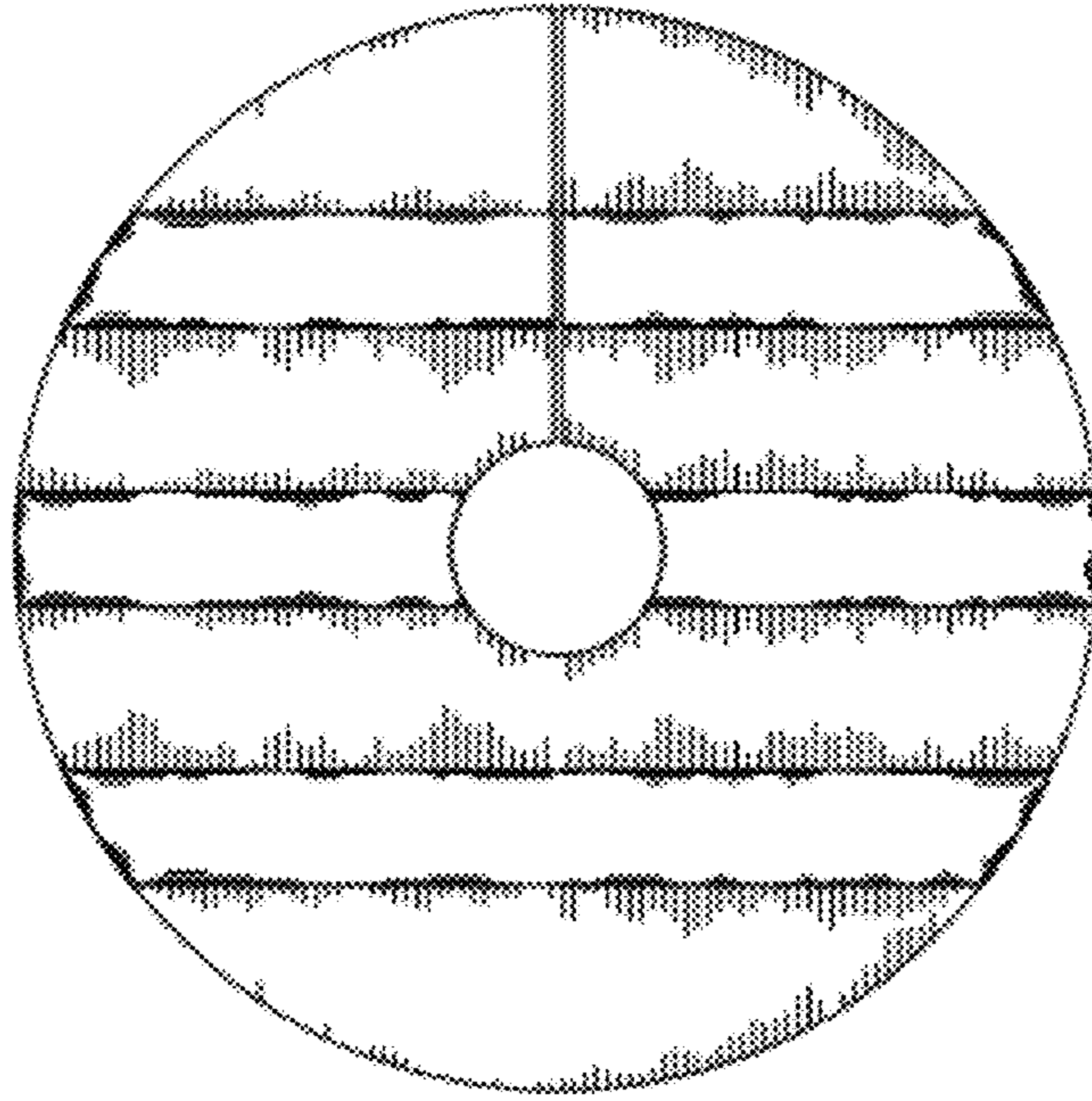


FIG. 5

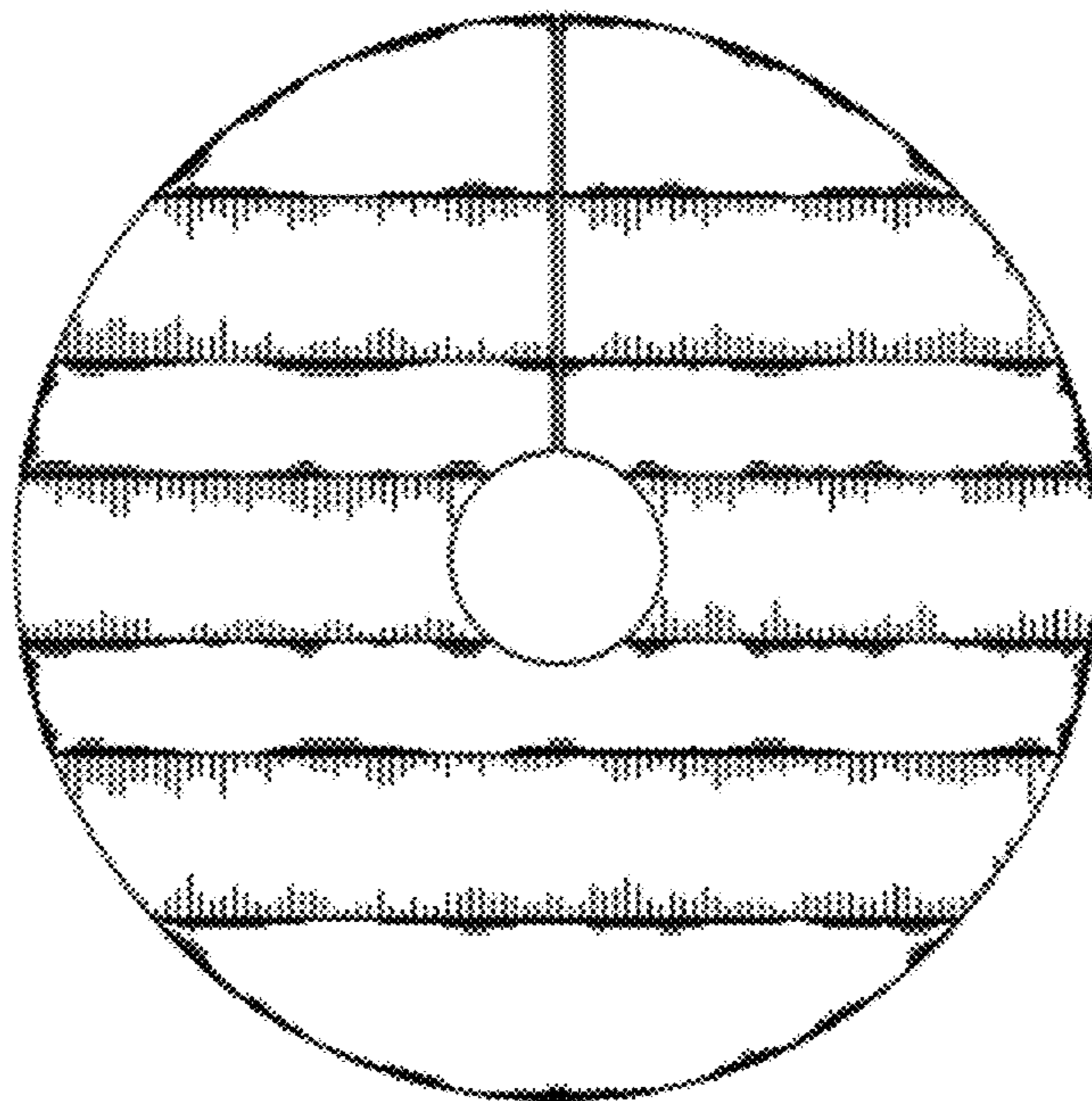


FIG. 6

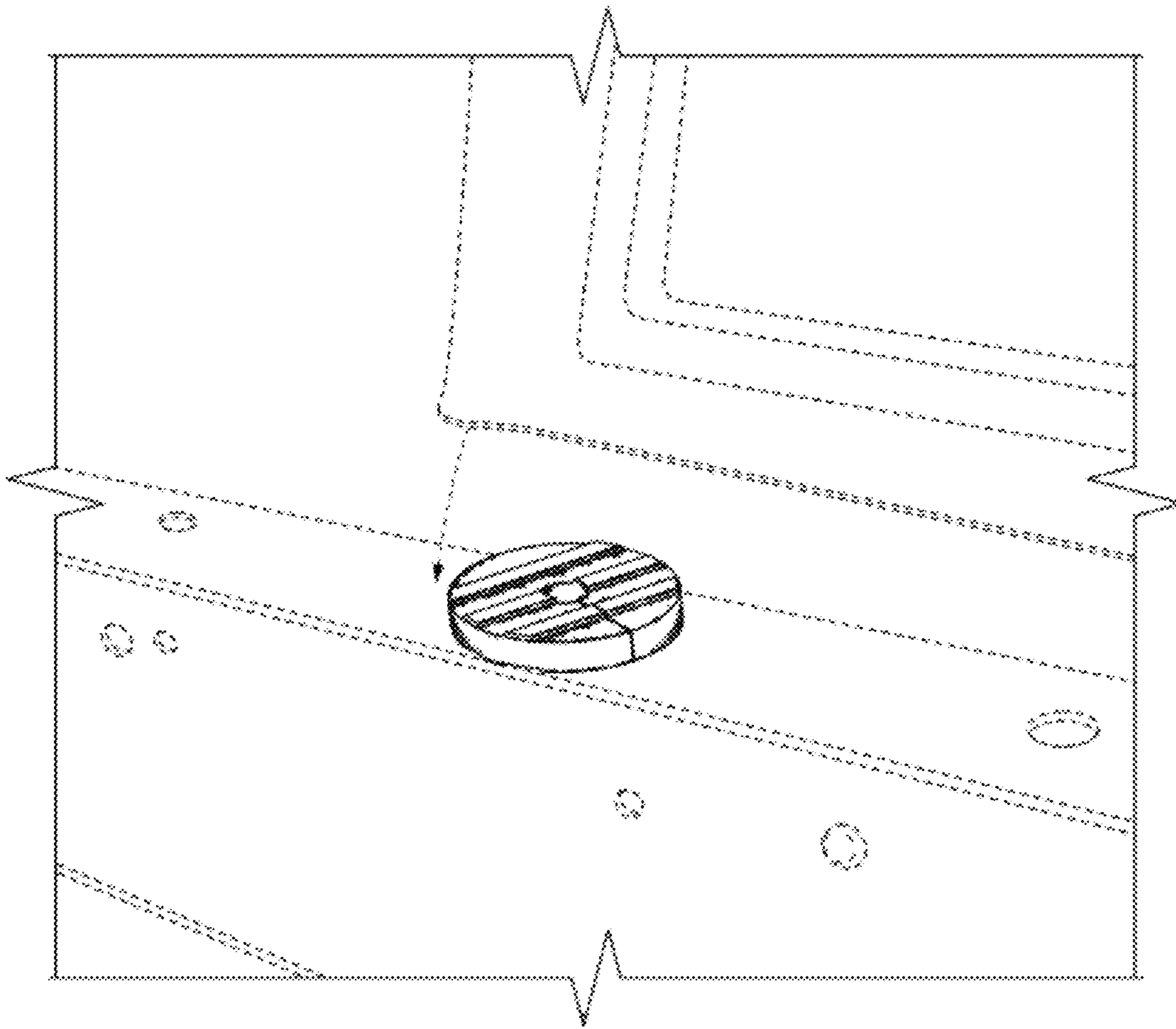


FIG. 7