



US00D658970S

(12) **United States Design Patent**  
**Wyers**

(10) **Patent No.:** **US D658,970 S**

(45) **Date of Patent:** **\*\* May 8, 2012**

(54) **LUNETTE RING LOCK**

(76) **Inventor:** **Philip Warren Wyers**, Centennial, CO  
(US)

(\*\*) **Term:** **14 Years**

(21) **Appl. No.:** **29/373,962**

(22) **Filed:** **Jun. 15, 2011**

(51) **LOC (9) Cl.** ..... **08-07**

(52) **U.S. Cl.** ..... **D8/343; D8/331**

(58) **Field of Classification Search** ..... D8/330,  
D8/331, 343, 339; 70/14, 57, 57.1, 183,  
70/258, 384, 431, 169, 182, 132, 187, 288,  
70/237, 230, 231, 225, 266

See application file for complete search history.

(56) **References Cited**

**U.S. PATENT DOCUMENTS**

5,119,649	A *	6/1992	Spence	.....	70/14
5,133,456	A *	7/1992	Friese	.....	206/400
5,332,251	A *	7/1994	Farquhar	.....	280/507
5,456,320	A *	10/1995	Baker	.....	166/377
D417,133	S *	11/1999	Niswanger	.....	D8/331

6,511,513	B1 *	1/2003	Laghi	.....	623/33
D503,328	S *	3/2005	Catlett	.....	D8/342
6,918,726	B1 *	7/2005	Kerr	.....	411/303
D581,248	S *	11/2008	Wu et al.	.....	D8/343
D581,249	S *	11/2008	Wu et al.	.....	D8/343
7,650,767	B2 *	1/2010	Robinson	.....	70/34

\* cited by examiner

*Primary Examiner* — Prabhakar Deshmukh

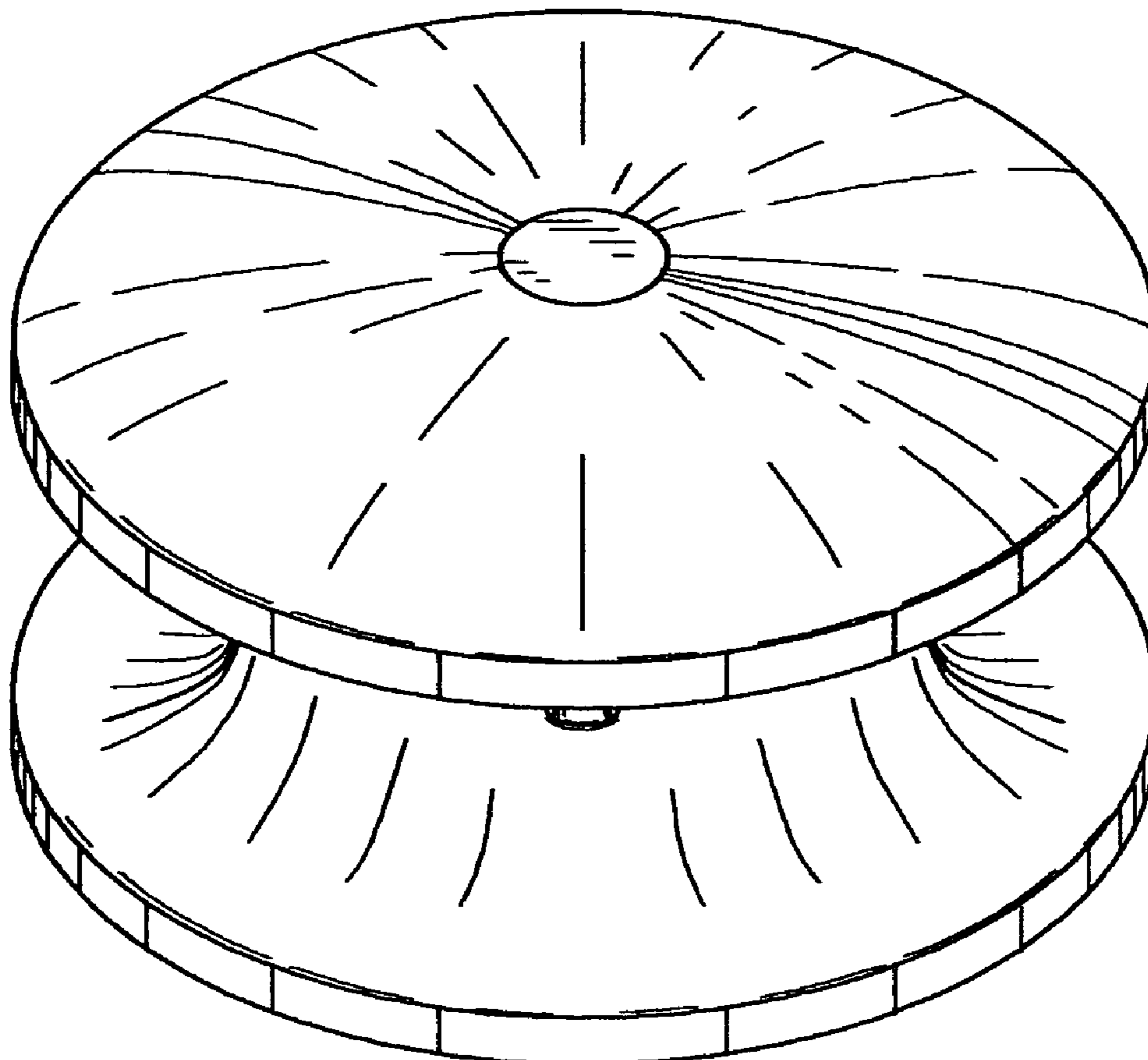
(57) **CLAIM**

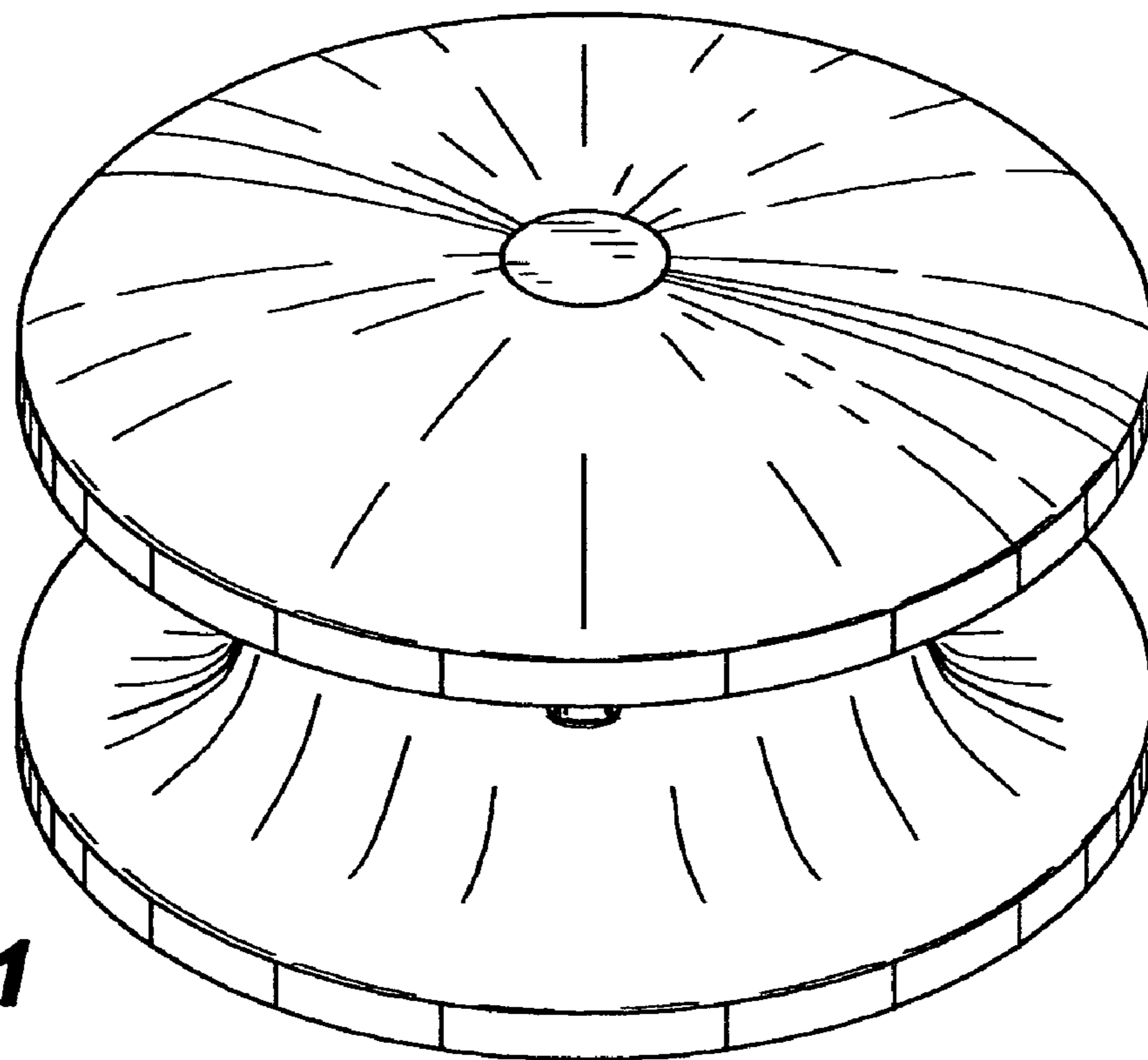
The ornamental design for a lunette ring lock, as shown.

**DESCRIPTION**

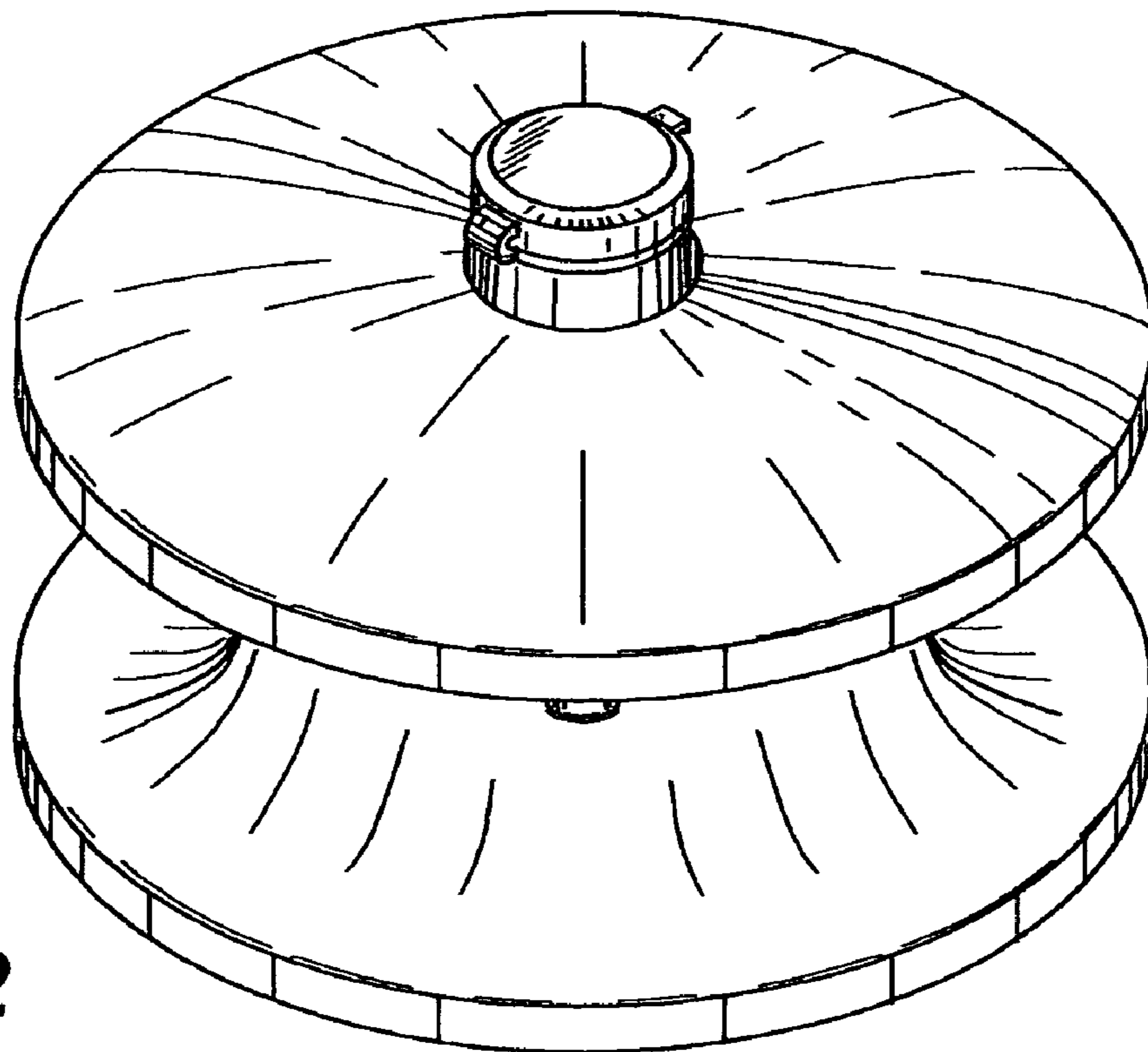
FIG. 1 is a top perspective view of a lunette ring lock showing my new design;  
FIG. 2 is a bottom perspective view thereof;  
FIG. 3 is a top plan view thereof;  
FIG. 4 is a rear elevational view thereof;  
FIG. 5 is a bottom plan view thereof;  
FIG. 6 is a front elevational view thereof; and,  
FIG. 7 is an exploded perspective view thereof.

**1 Claim, 4 Drawing Sheets**



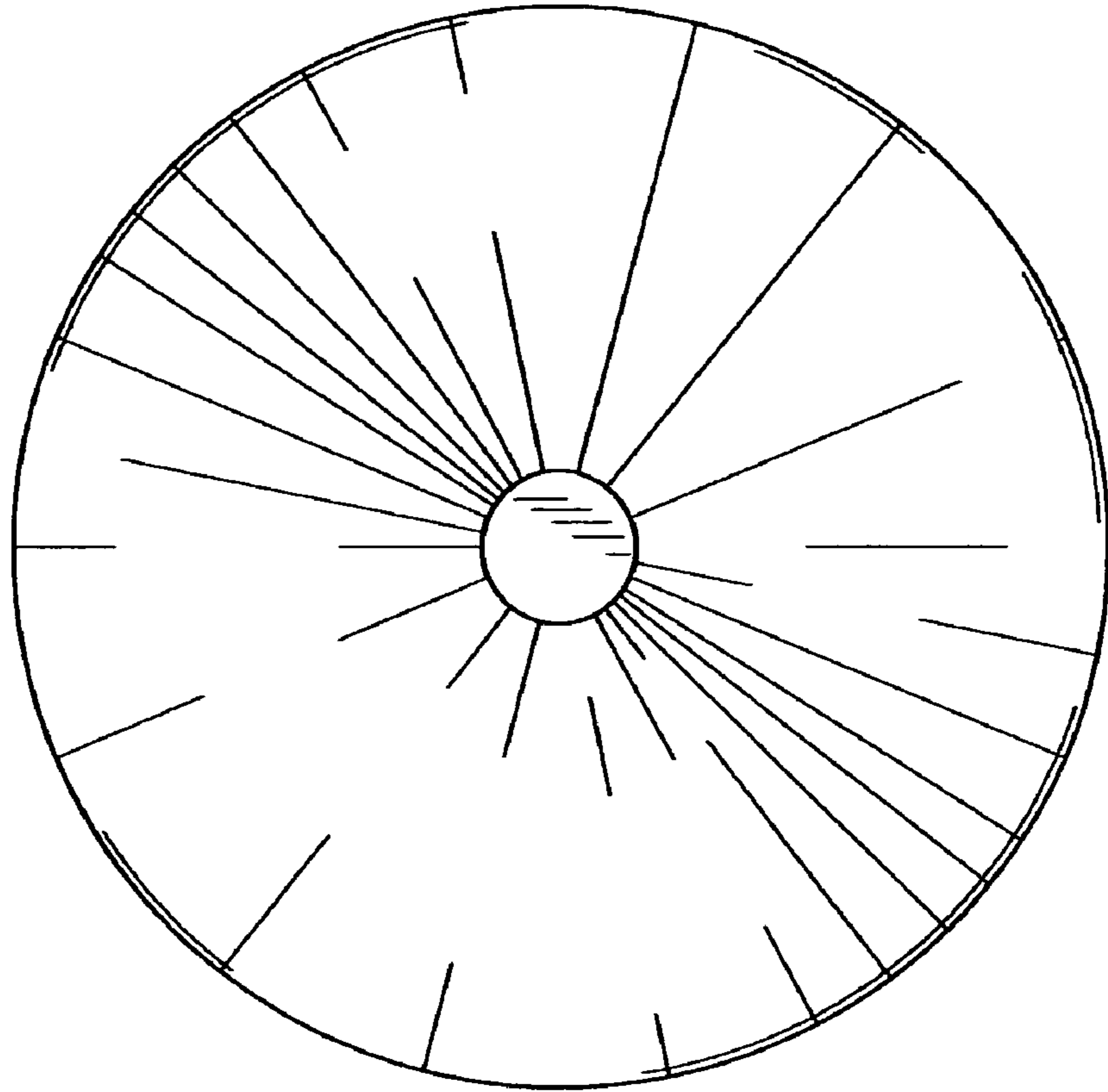


**Fig. 1**

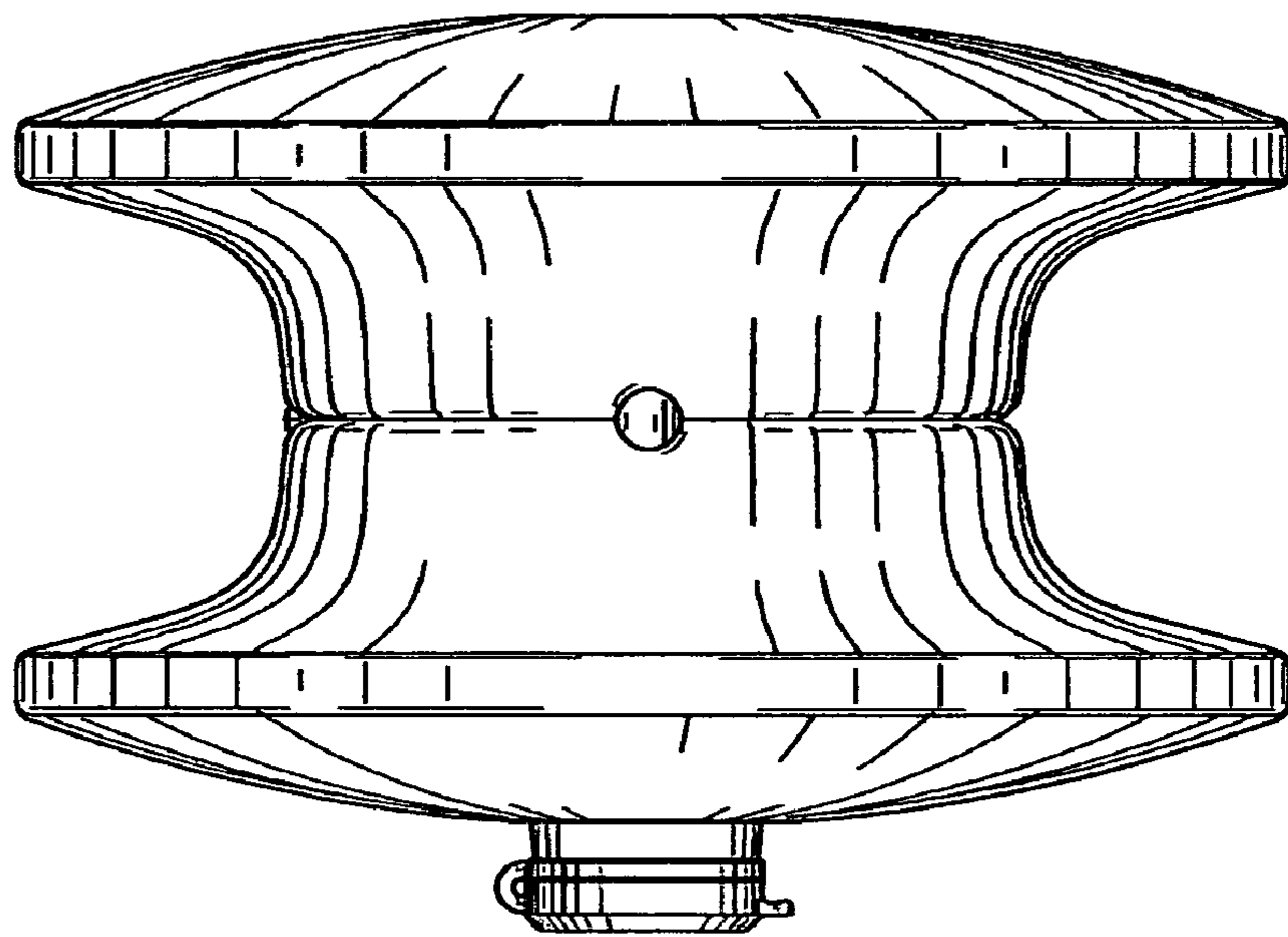


**Fig. 2**

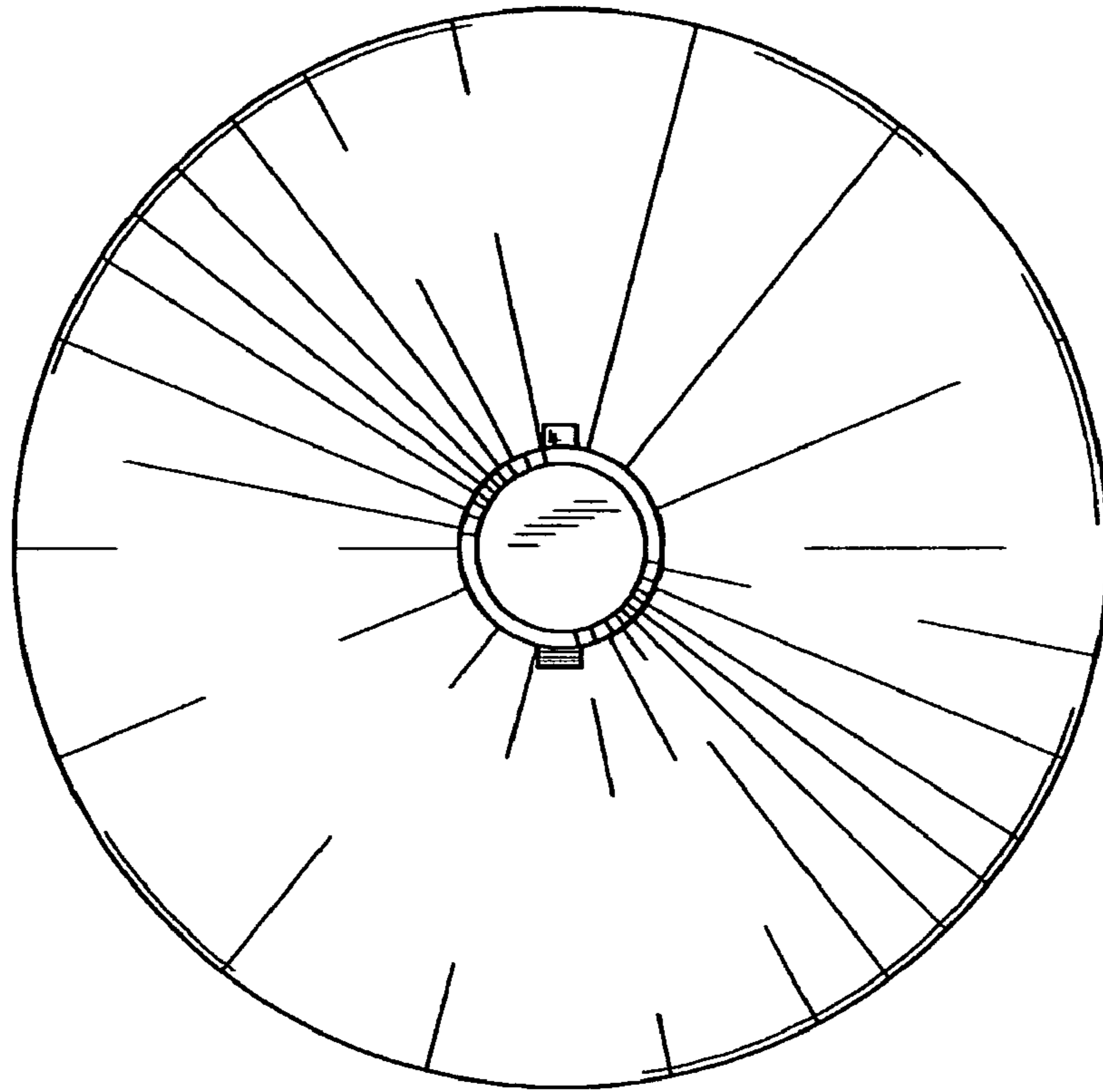
**Fig. 3**



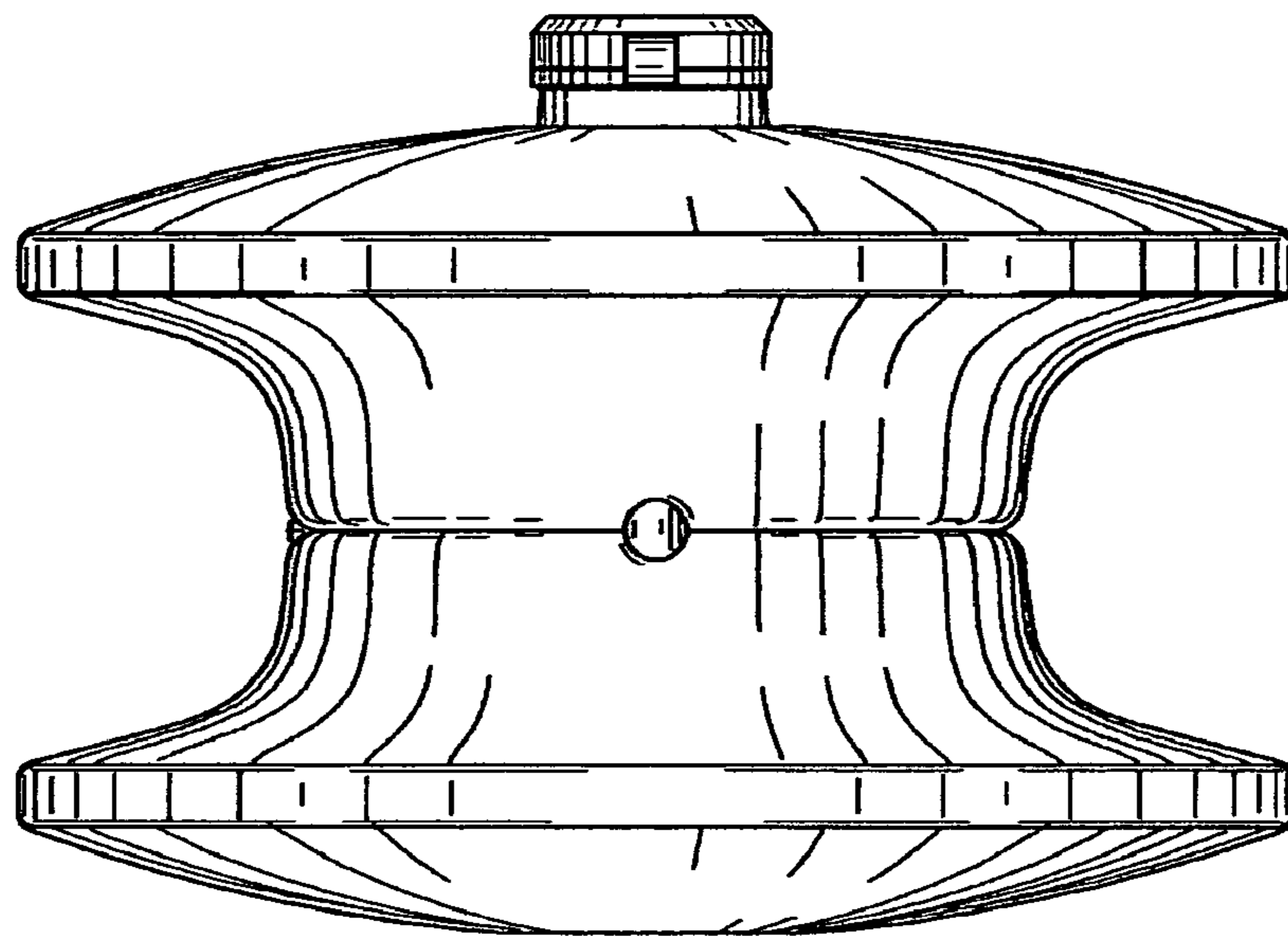
**Fig. 4**



**Fig. 5**



**Fig. 6**





**Fig. 7**

