



US00D658969S

(12) **United States Design Patent**  
**Cooper**

(10) **Patent No.:** **US D658,969 S**

(45) **Date of Patent:** **\*\* May 8, 2012**

- (54) **PADLOCK FOR SECURITY TAGS**
- (75) Inventor: **William J. Cooper**, Natick, MA (US)
- (73) Assignee: **Avery Dennison Corporation**,  
Pasadena, CA (US)
- (\*\*) Term: **14 Years**
- (21) Appl. No.: **29/367,249**
- (22) Filed: **Aug. 5, 2010**
- (51) **LOC (9) Cl.** ..... **08-07**
- (52) **U.S. Cl.** ..... **D8/334**
- (58) **Field of Classification Search** ..... D8/339,  
D8/331, 334, 335; 70/14, 20, 24, 31, 57.1,  
70/38 A, DIG. 3, DIG. 4  
See application file for complete search history.

5,572,890 A *	11/1996	Carpenter	.....	70/371
D388,687 S *	1/1998	Chen	.....	D8/334
D471,429 S *	3/2003	Williams et al.	.....	D8/334
D476,216 S *	6/2003	Vito	.....	D8/334
D543,832 S *	6/2007	Tsui	.....	D8/334
7,424,812 B2 *	9/2008	Loughlin et al.	.....	70/56
8,047,027 B2 *	11/2011	Loughlin et al.	.....	70/21

\* cited by examiner

*Primary Examiner* — Prabhakar Deshmukh

(74) *Attorney, Agent, or Firm* — Avery Dennison Corporation Mentor, Ohio

(57) **CLAIM**

The ornamental design for a padlock for security tags, as shown and described.

**DESCRIPTION**

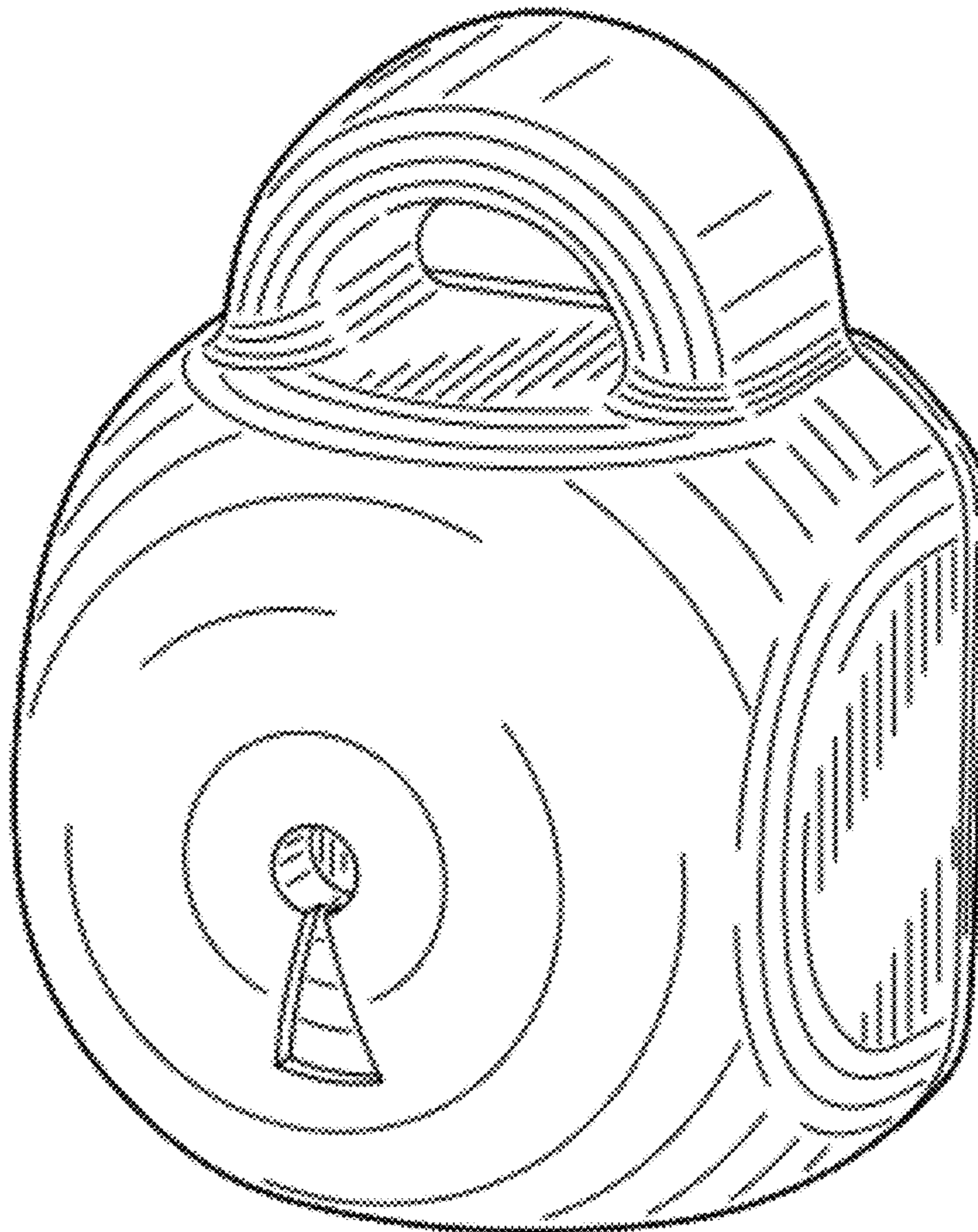
FIG. 1 is a perspective view of the padlock for security tags; FIG. 2 is a front view of FIG. 1; FIG. 3 is a back view of FIG. 1; FIG. 4 is a top view of FIG. 1; FIG. 5 is a bottom view of FIG. 1; FIG. 6 is a right side view of FIG. 1; and, FIG. 7 is a left side view of FIG. 1.

**1 Claim, 3 Drawing Sheets**

(56) **References Cited**

U.S. PATENT DOCUMENTS

3,952,565 A *	4/1976	Falk	.....	70/417
D241,306 S *	9/1976	Foote	.....	D8/334
4,107,965 A *	8/1978	Miller et al.	.....	70/52
D373,300 S *	9/1996	Zane	.....	D8/334



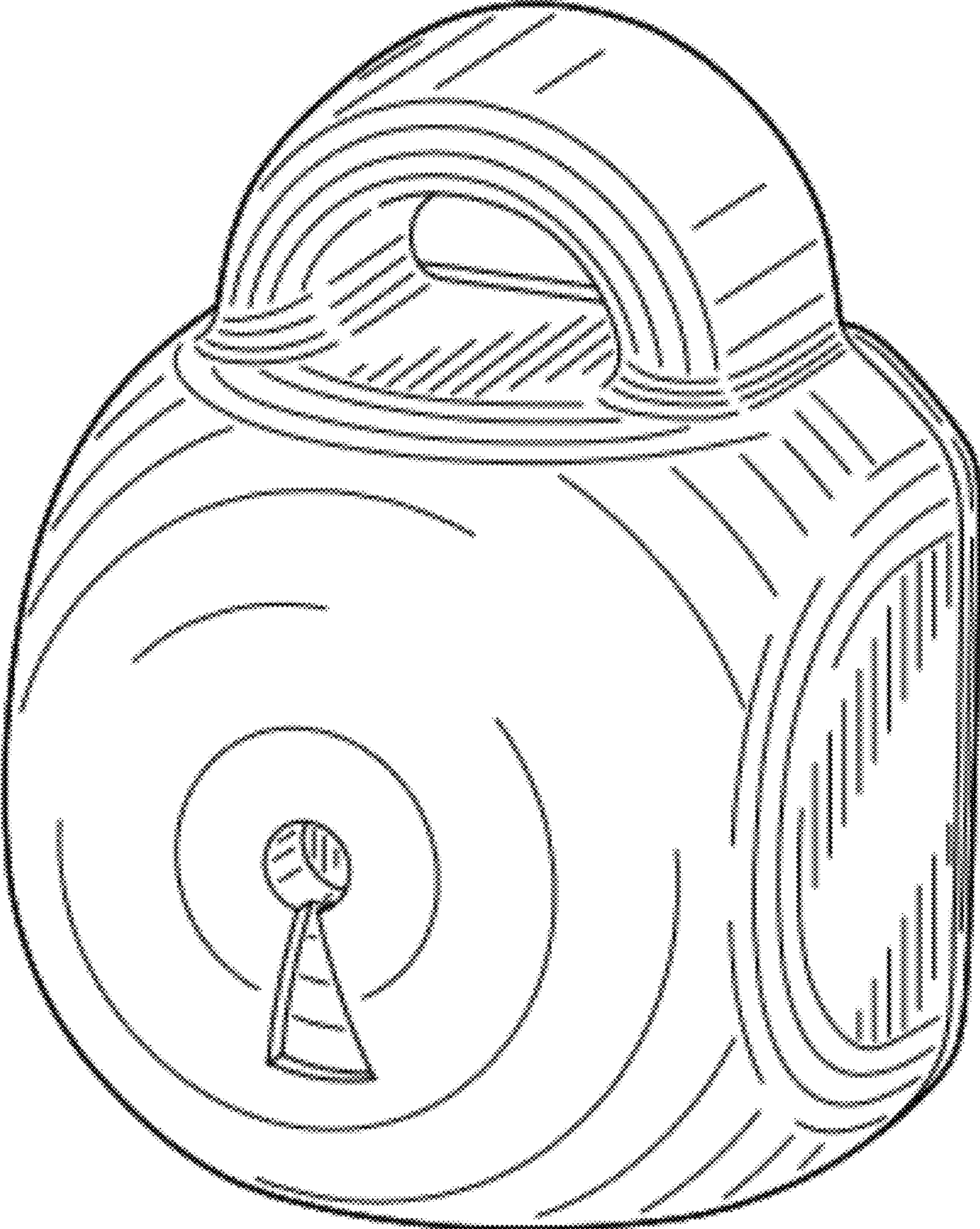


FIG. 1



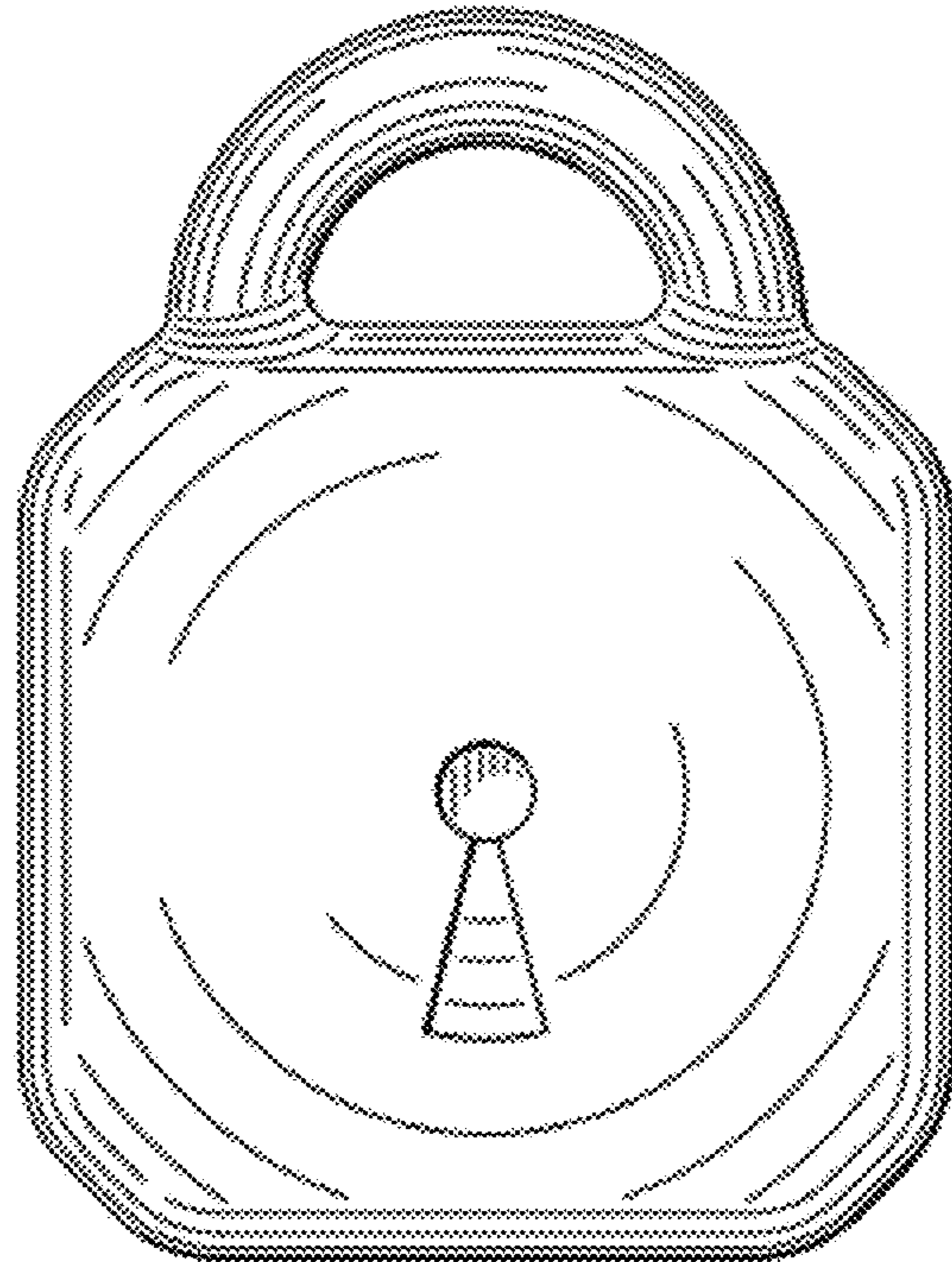


FIG. 2

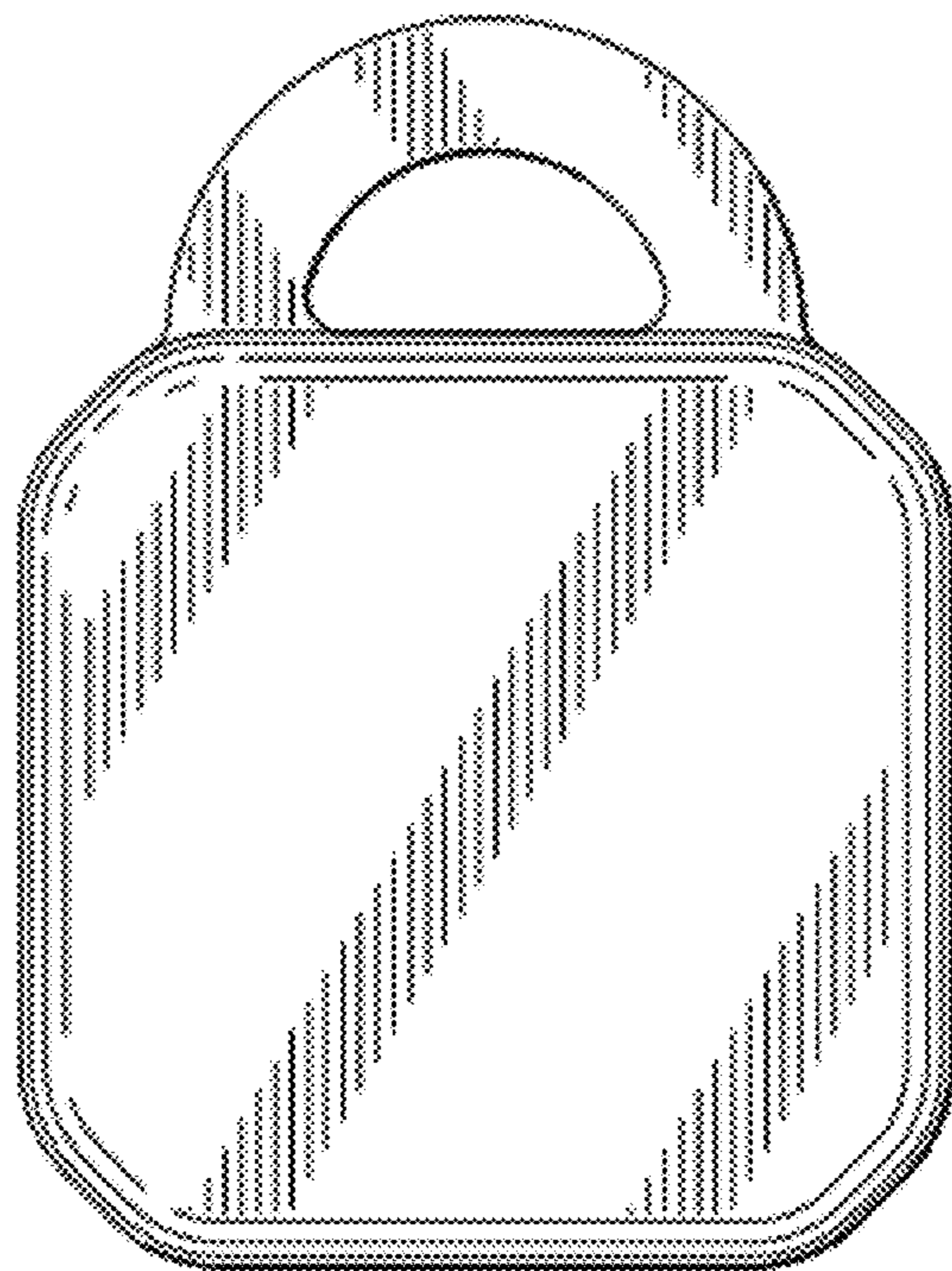


FIG. 3

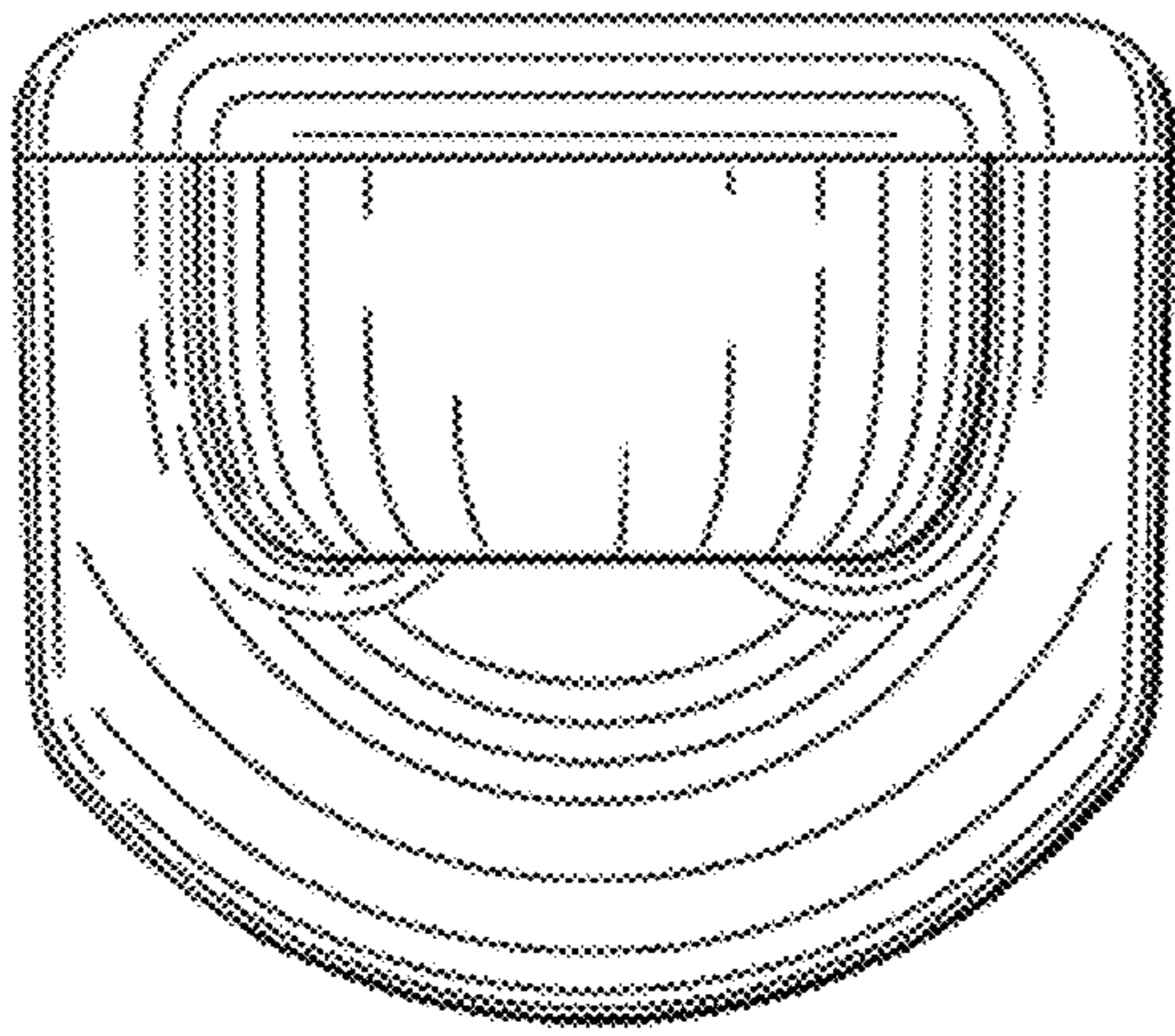


FIG. 4

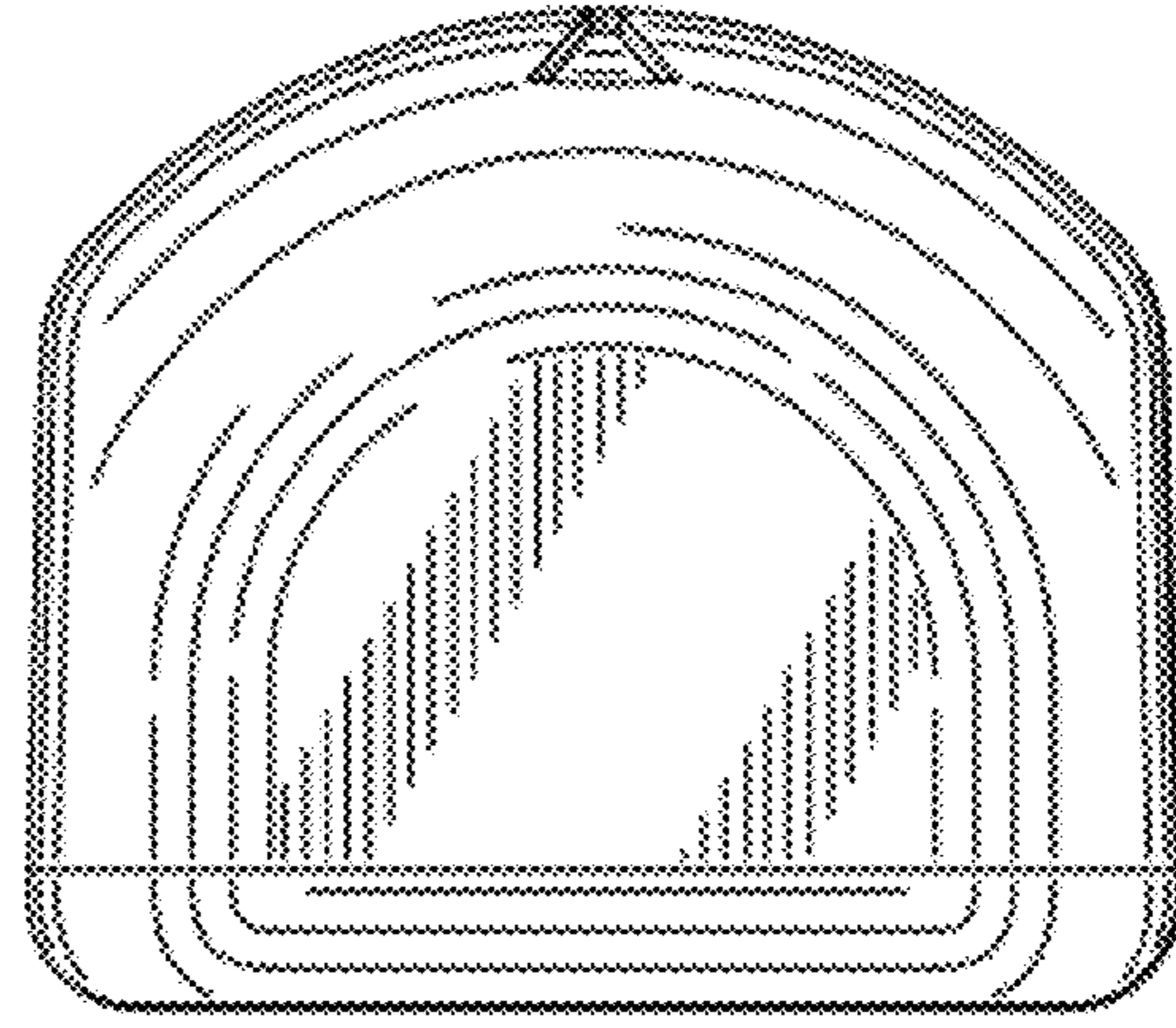


FIG. 5

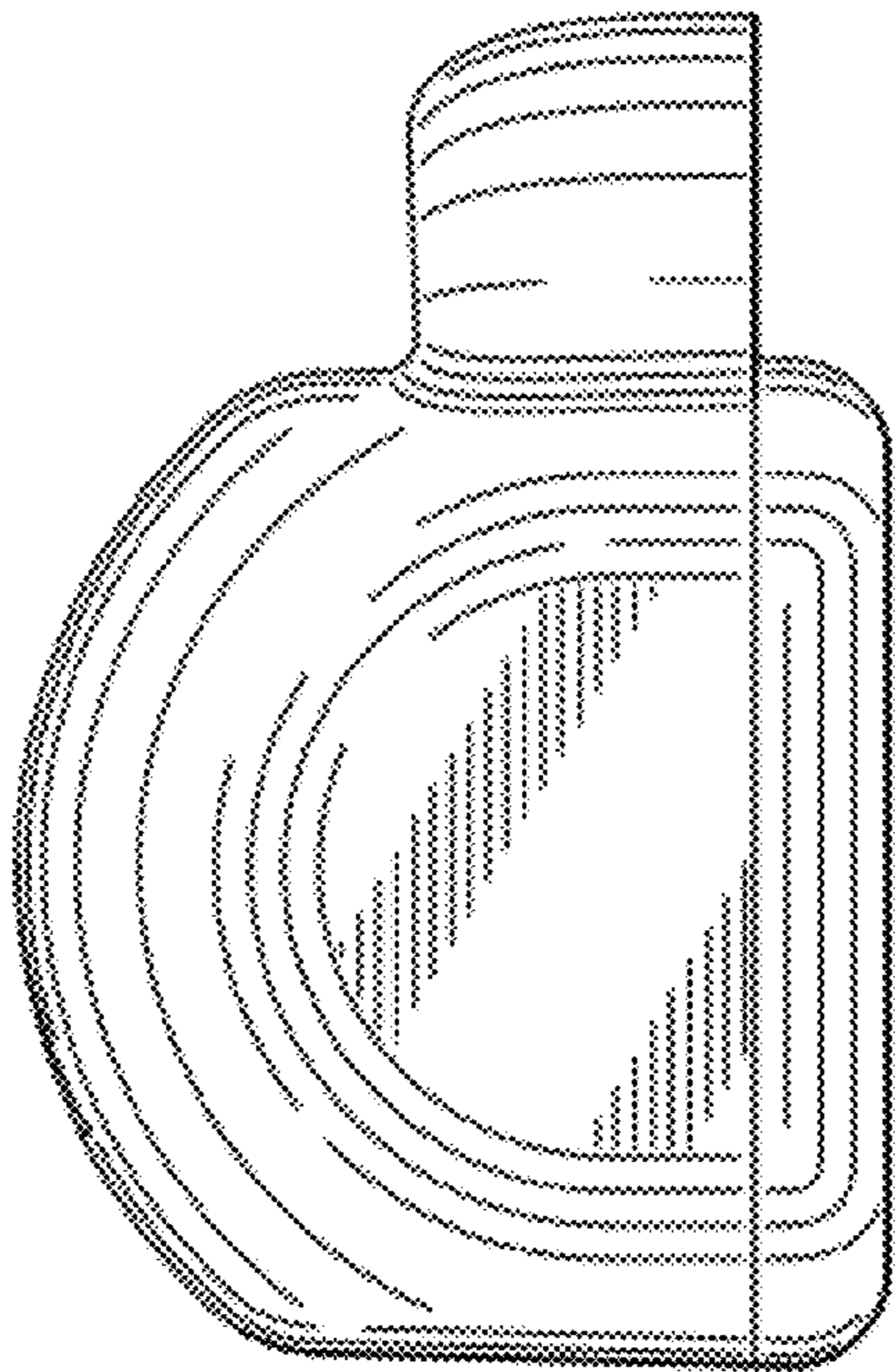


FIG. 6

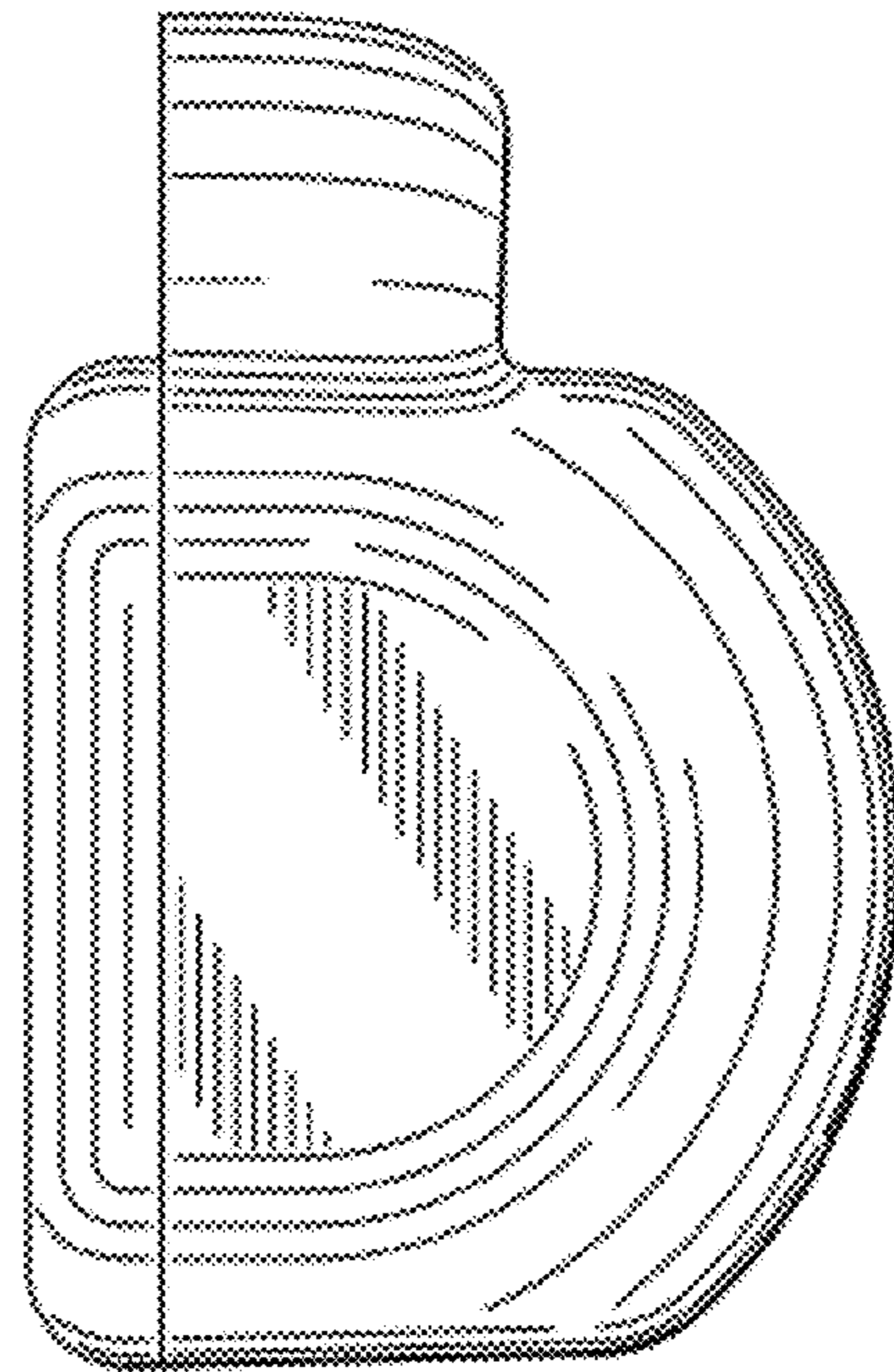


FIG. 7