



US00D658968S

(12) **United States Design Patent**
Wyers

(10) **Patent No.:** **US D658,968 S**

(45) **Date of Patent:** **** May 8, 2012**

(54) **CHOCKING WHEEL LOCK**

(76) **Inventor:** **Philip Warren Wyers, Centennial, CO**
(US)

(**) **Term:** **14 Years**

(21) **Appl. No.:** **29/373,963**

(22) **Filed:** **Jun. 15, 2011**

(51) **LOC (9) Cl.** **08-07**

(52) **U.S. Cl.** **D8/333; D8/343**

(58) **Field of Classification Search** D8/330,
D8/331, 333, 336, 339, 343, 349; 70/14,
70/19, 57, 141, 158, 163, 223-228, 237,
70/258-260, 466; D12/217, 400

See application file for complete search history.

(56) **References Cited**

U.S. PATENT DOCUMENTS

4,164,131	A *	8/1979	Desmond et al.	70/14
4,441,586	A *	4/1984	Bernier	188/32
4,833,442	A *	5/1989	Von Heck	340/427
5,134,868	A *	8/1992	Bethards	70/18
D374,600	S *	10/1996	Buttner	D8/331
5,873,275	A *	2/1999	Lukich	70/226
D418,391	S *	1/2000	Tsai	D8/330
D489,597	S *	5/2004	Fulcher et al.	D8/341
6,938,734	B2 *	9/2005	Curl	188/32

D513,975	S *	1/2006	Falconer et al.	D8/395
D541,626	S *	5/2007	Mechalchuk et al.	D8/330
D567,062	S *	4/2008	Meyer et al.	D8/330
D626,400	S *	11/2010	Chestham	D8/333

* cited by examiner

Primary Examiner — Prabhakar Deshmukh

(57) **CLAIM**

The ornamental design for a chocking wheel lock, as shown and described.

DESCRIPTION

FIG. 1 is a reduced scale perspective view of a chocking wheel lock showing my new design, shown in its environmental use;

FIG. 2 is an enlarged scale perspective view thereof;

FIG. 3 is an exploded perspective view thereof;

FIG. 4 is a right side elevational view thereof;

FIG. 5 is a top plan view thereof;

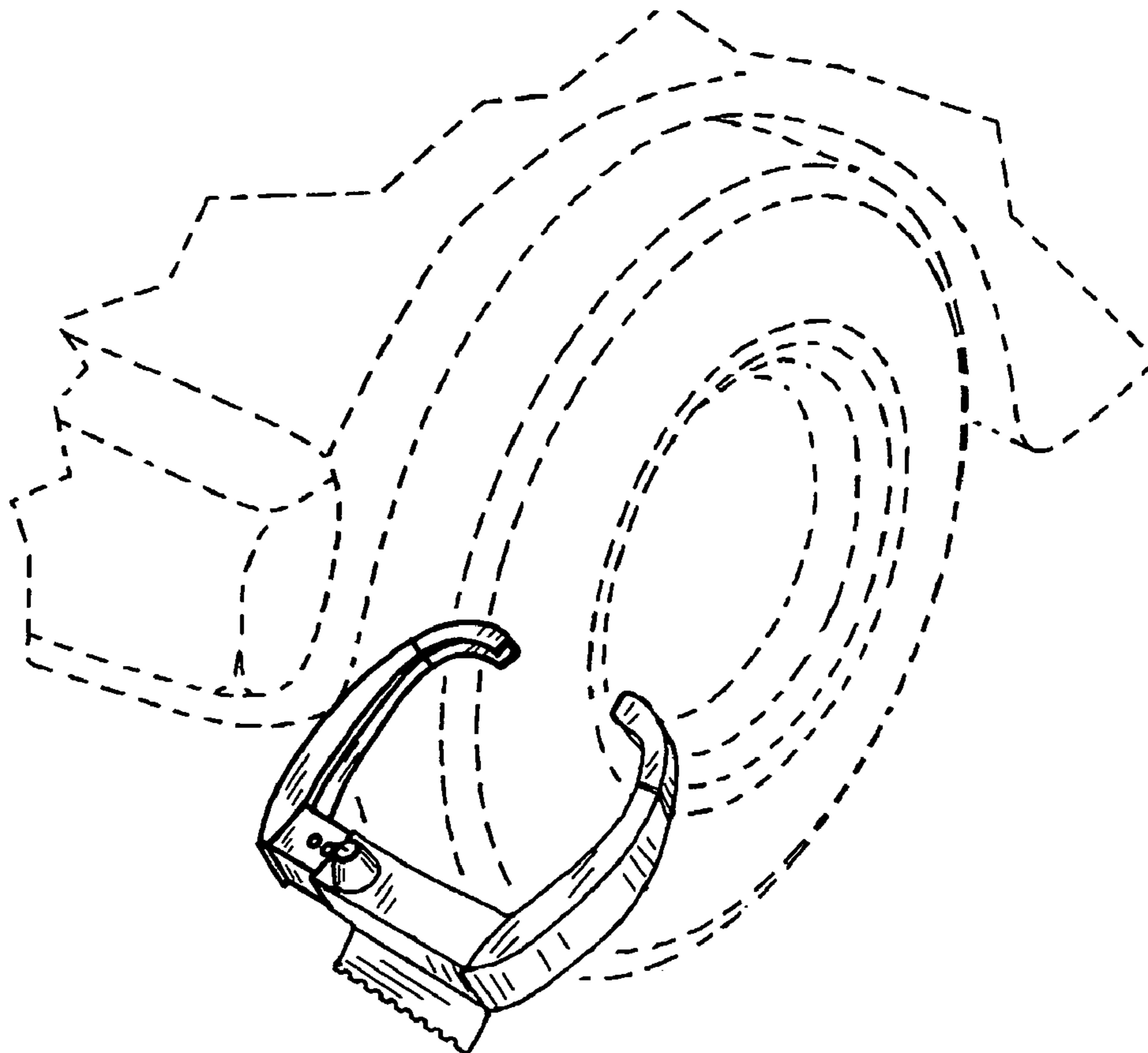
FIG. 6 is a front elevational view thereof;

FIG. 7 is a rear elevational view thereof; and,

FIG. 8 is a bottom plan view thereof.

The broken lines environment is for illustrative purpose only and forms no part of the claimed design.

1 Claim, 4 Drawing Sheets



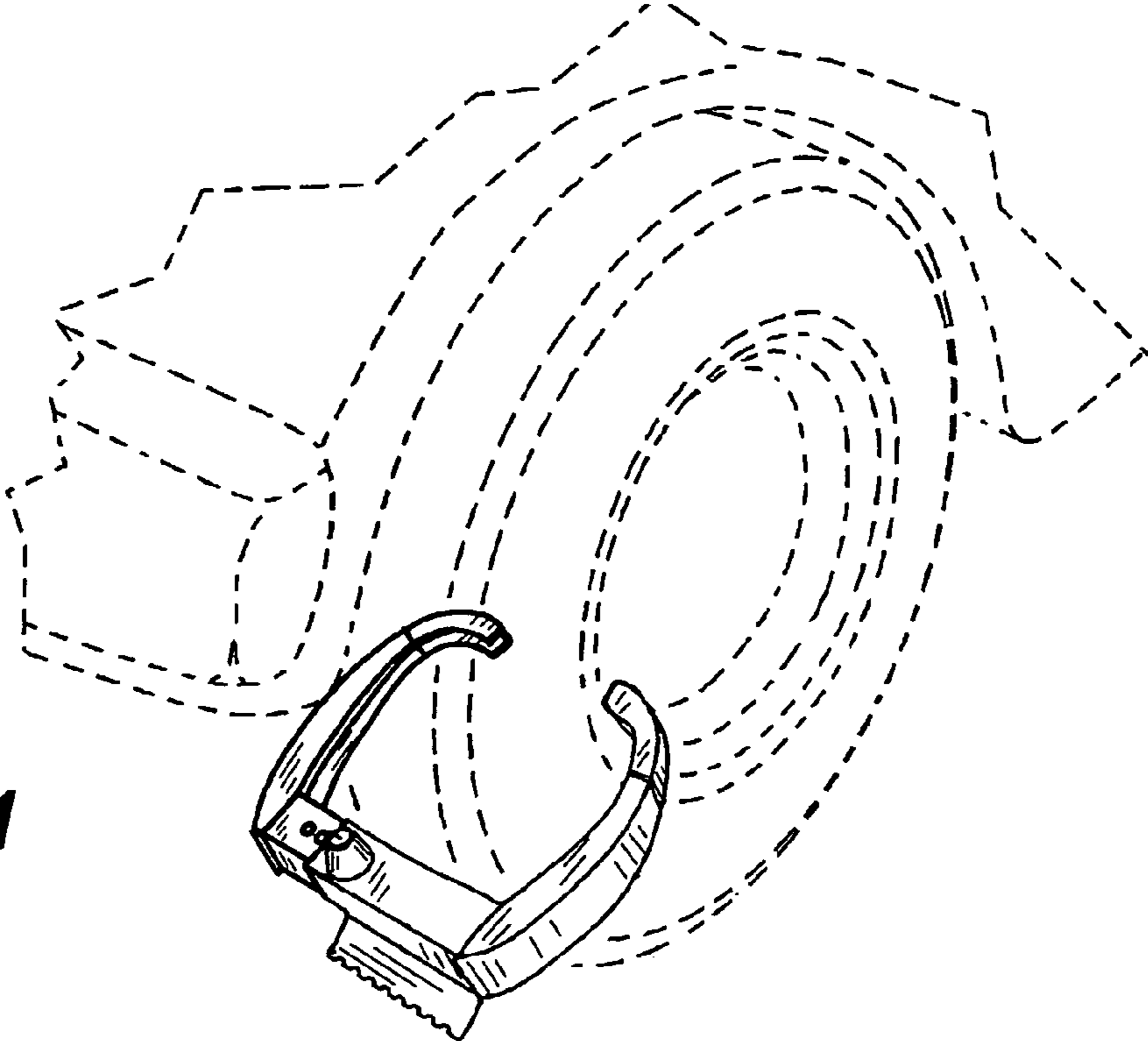


Fig. 1

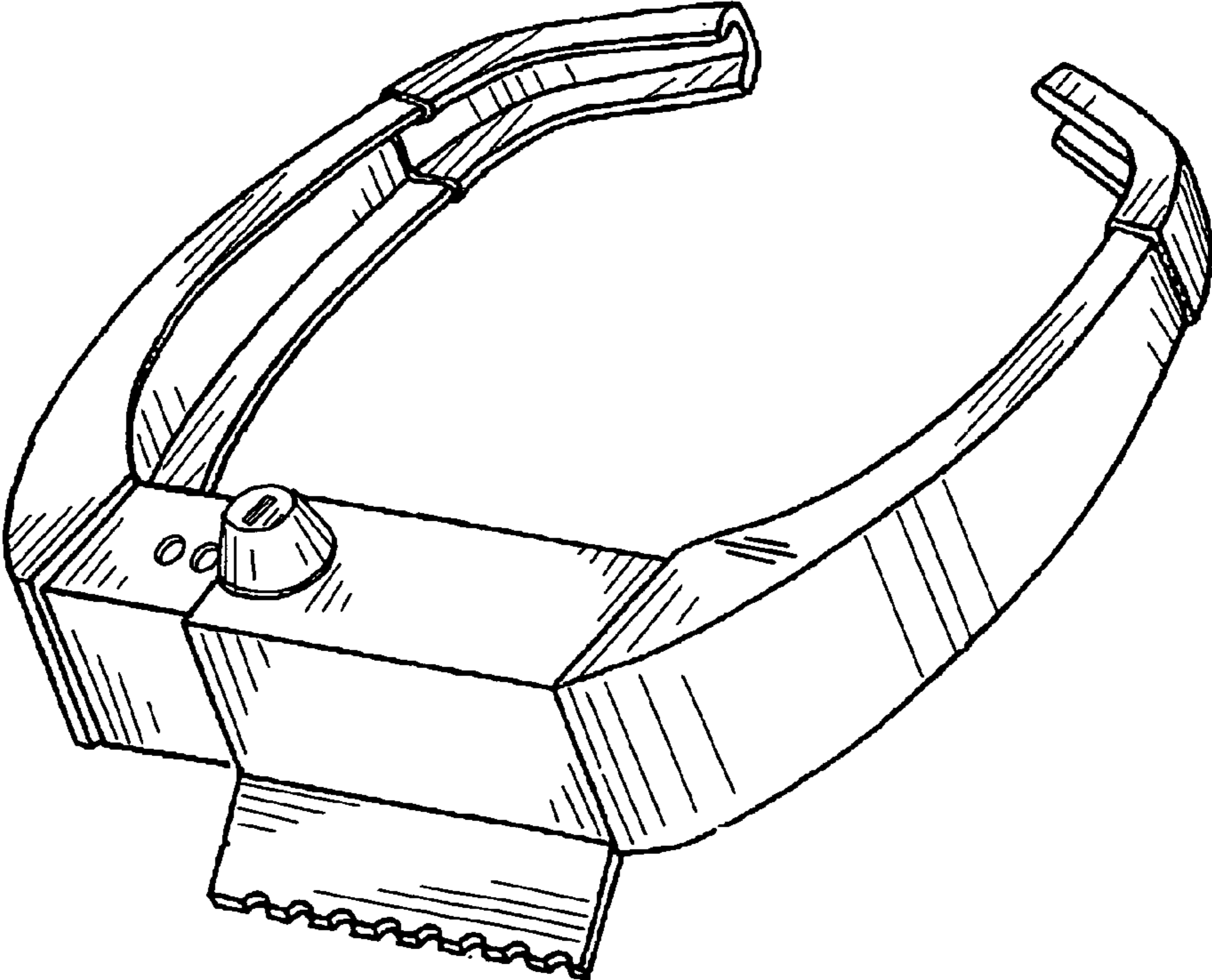


Fig. 2

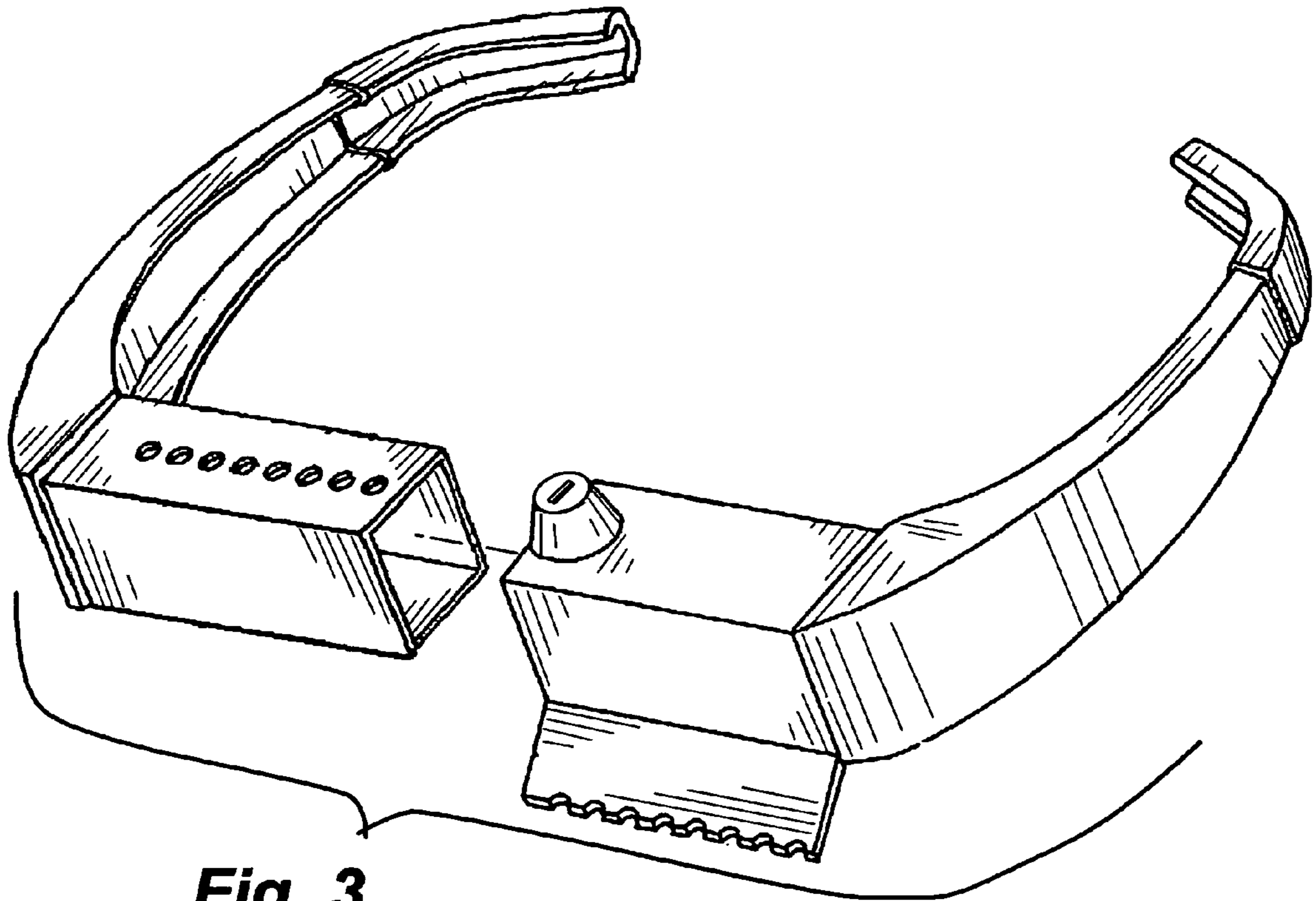


Fig. 3

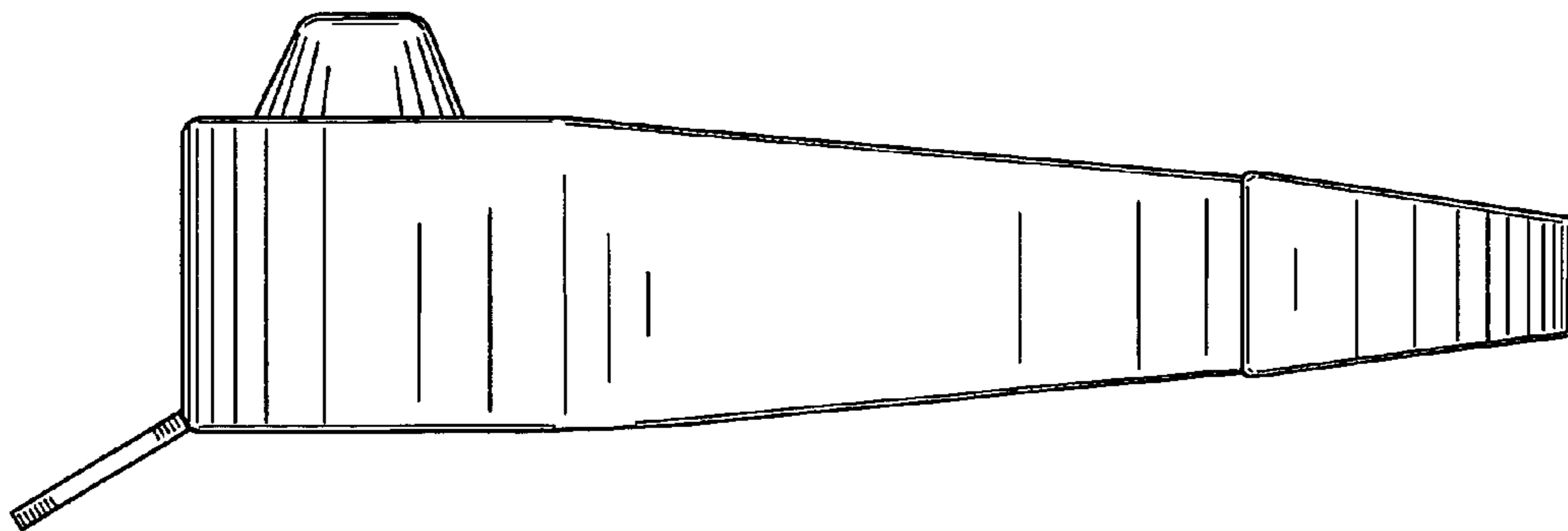


Fig. 4

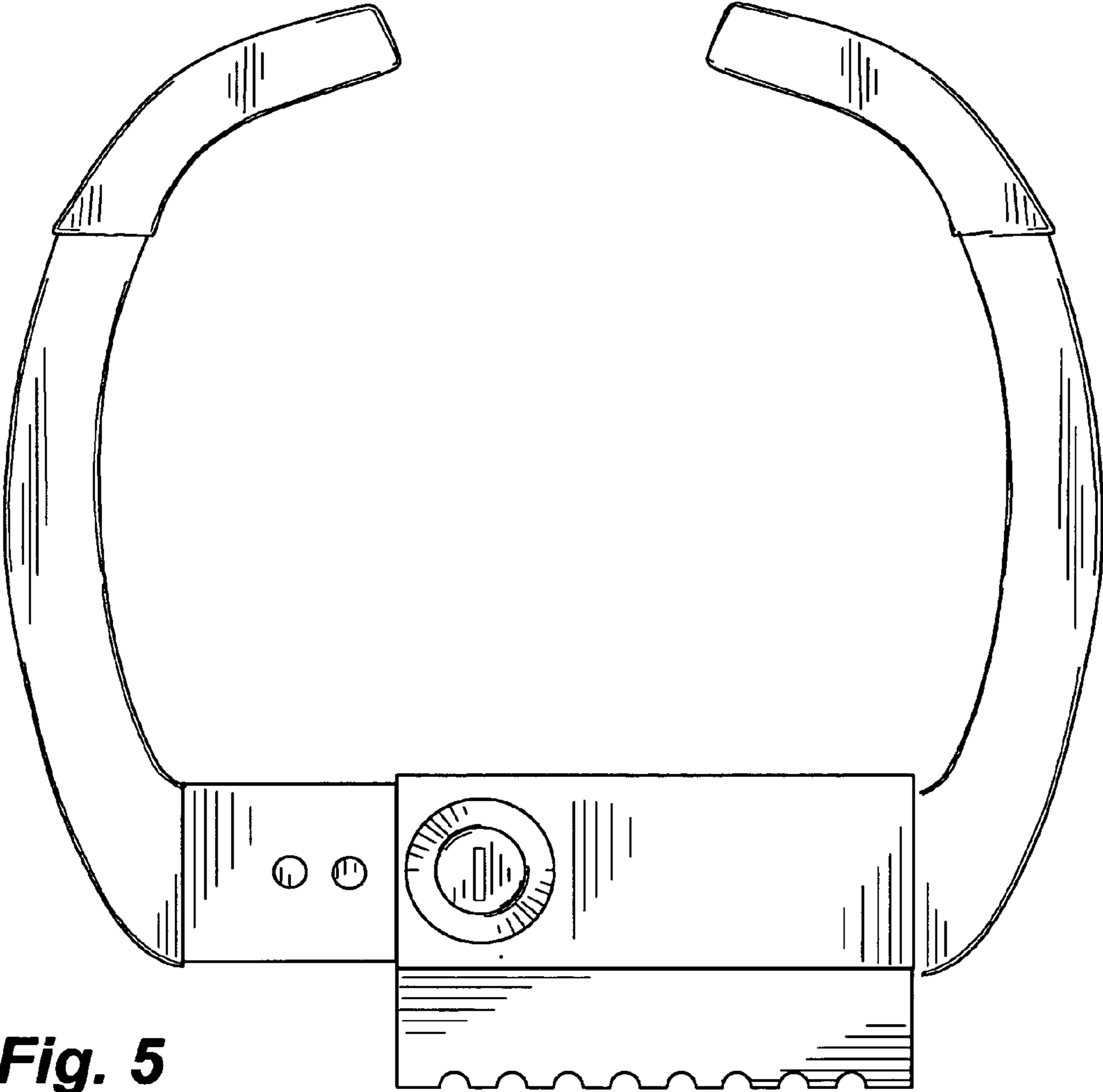


Fig. 5

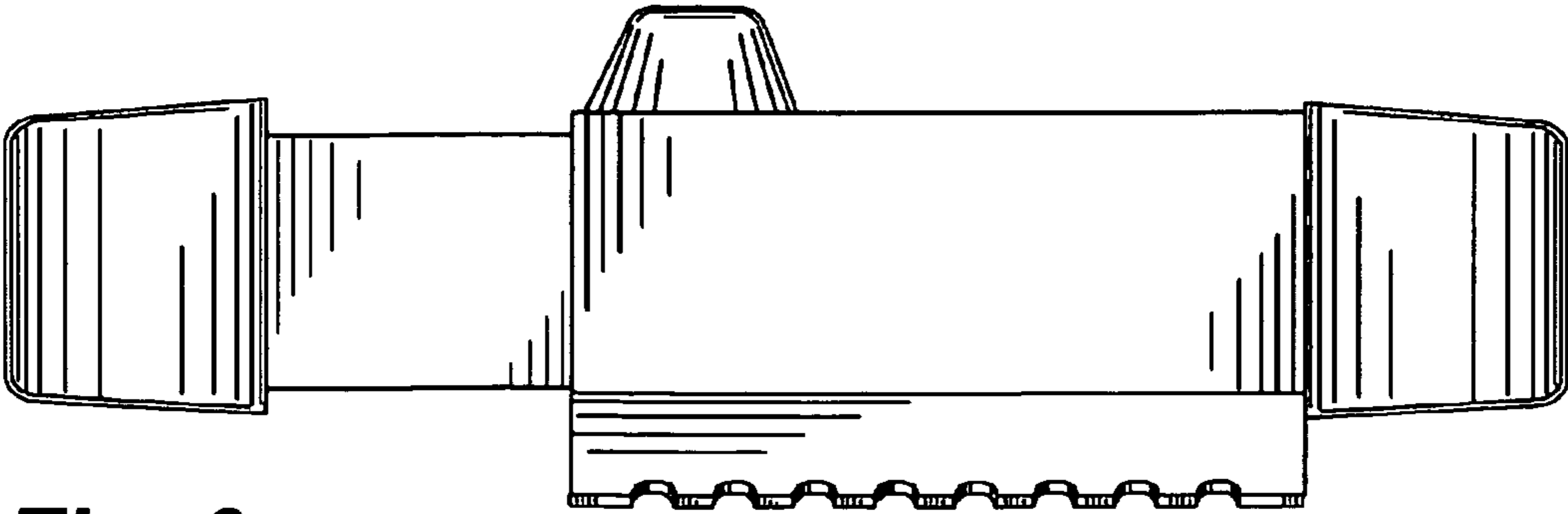


Fig. 6

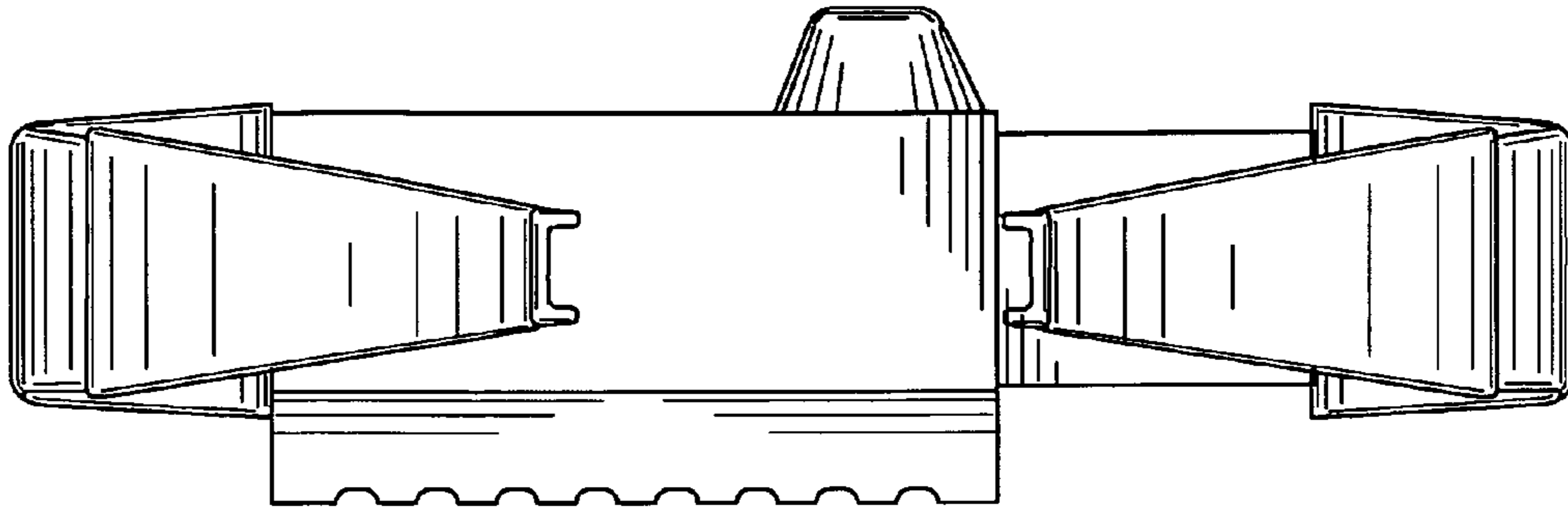


Fig. 7

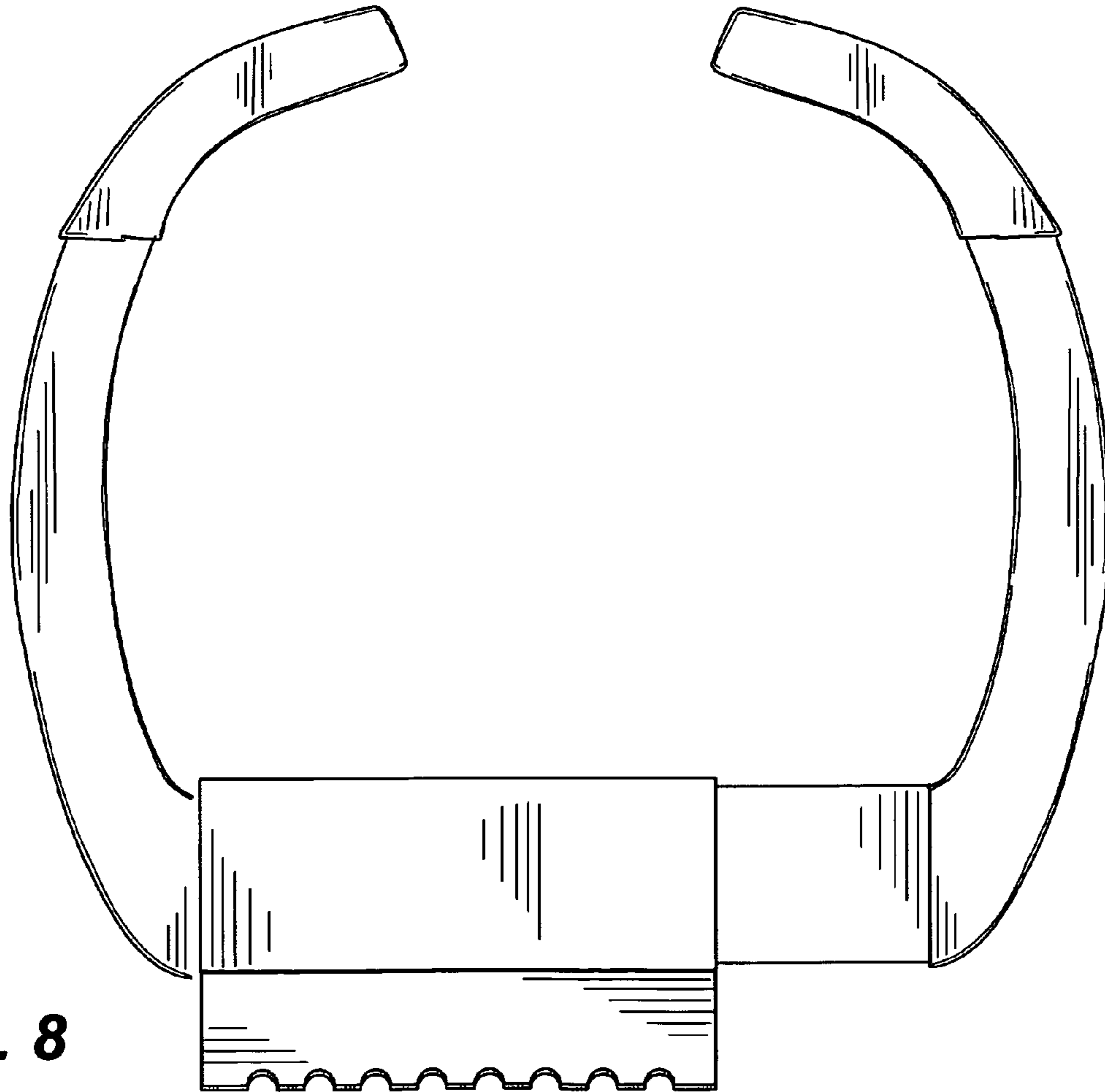


Fig. 8