



US00D658967S

(12) **United States Design Patent**  
**Mickelson**

(10) **Patent No.:** **US D658,967 S**

(45) **Date of Patent:** **\*\* May 8, 2012**

(54) **DOOR LATCH**

(75) Inventor: **Eric Mickelson**, Laguna Niguel, CA  
(US)

(73) Assignee: **BE Aerospace, Inc.**, Wellington, FL  
(US)

(\*\*) Term: **14 Years**

(21) Appl. No.: **29/378,501**

(22) Filed: **Nov. 5, 2010**

(51) **LOC (9) Cl.** ..... **08-06**

(52) **U.S. Cl.** ..... **D8/331; D8/343**

(58) **Field of Classification Search** ..... D8/330,  
D8/331, 336, 339, 346, 302, DIG. 2; 70/77,  
70/78, 79, 56, 89, 156, 230, 372, 277, 14,  
70/51, 141, DIG. 3, DIG. 4; 292/207, 150,  
292/359

See application file for complete search history.

(56) **References Cited**

U.S. PATENT DOCUMENTS

2,302,165 A \* 11/1942 Anderson ..... 292/123  
2,852,926 A \* 9/1958 Chervenka ..... 70/79  
3,711,139 A \* 1/1973 Polk, Jr. .... 292/37

4,099,755 A \* 7/1978 Anderson ..... 292/251.5  
5,901,590 A \* 5/1999 Lai ..... 70/416  
5,950,465 A \* 9/1999 Schultz et al. .... 70/416  
D484,024 S \* 12/2003 Teskey et al. .... D8/331  
D507,171 S \* 7/2005 Sykes ..... D8/331  
D563,764 S \* 3/2008 Hacker ..... D8/331  
D576,019 S \* 9/2008 Kim ..... D8/331  
D579,316 S \* 10/2008 Lee ..... D8/331  
D580,739 S \* 11/2008 Pelletier et al. .... D8/331

\* cited by examiner

*Primary Examiner* — Prabhakar Deshmukh

(74) *Attorney, Agent, or Firm* — Shumaker, Loop &  
Kendrick, LLP

(57) **CLAIM**

The ornamental design for a door latch, as shown and  
described.

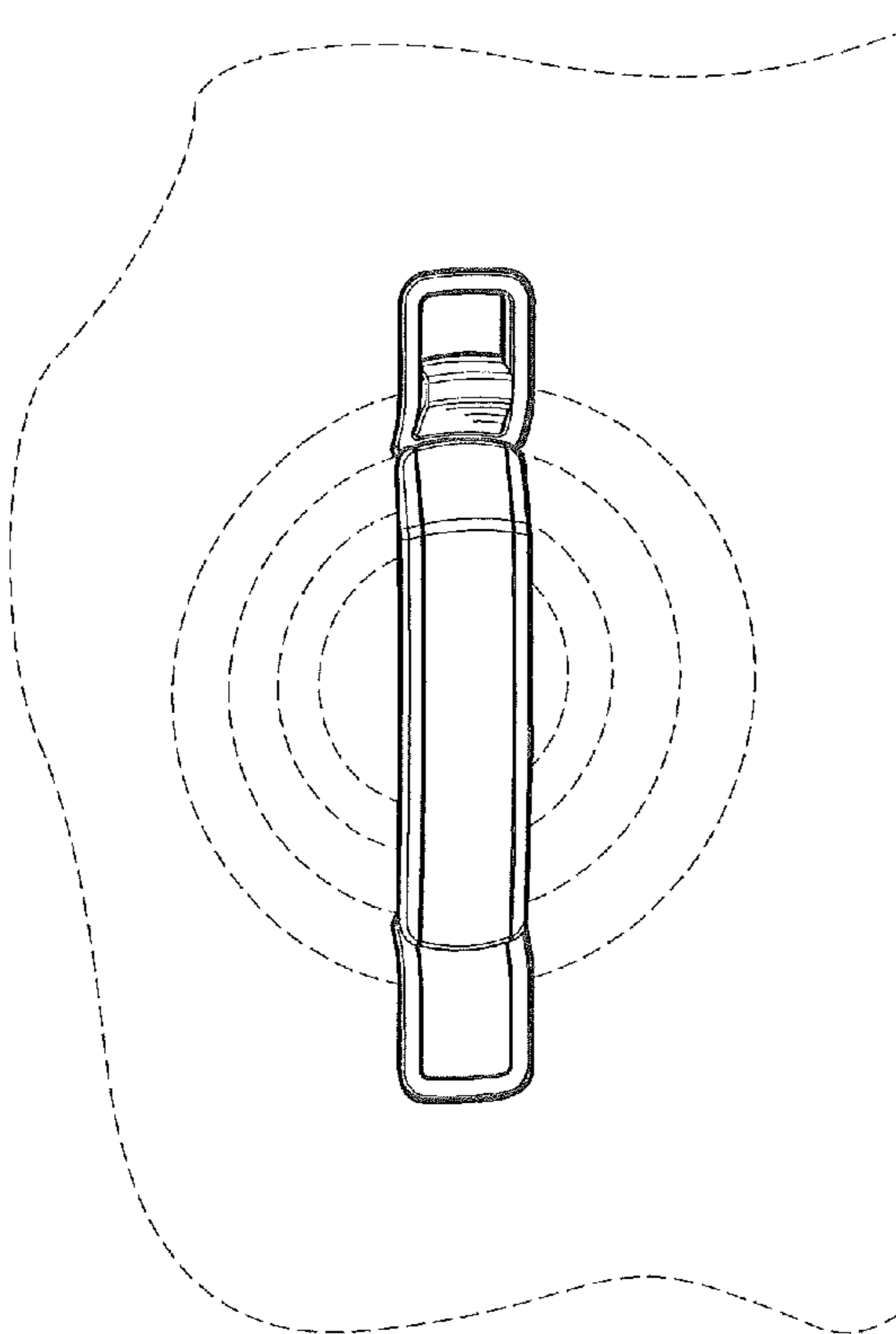
**DESCRIPTION**

FIG. 1 is a front elevational view of a door latch showing my  
new design;

FIG. 2 is a front and left side perspective view thereof; and,  
FIG. 3 is a front and right side perspective view thereof.

The broken lines shown in the drawing disclosure are for  
illustrative purposes only and form no part of the claimed  
design.

**1 Claim, 3 Drawing Sheets**



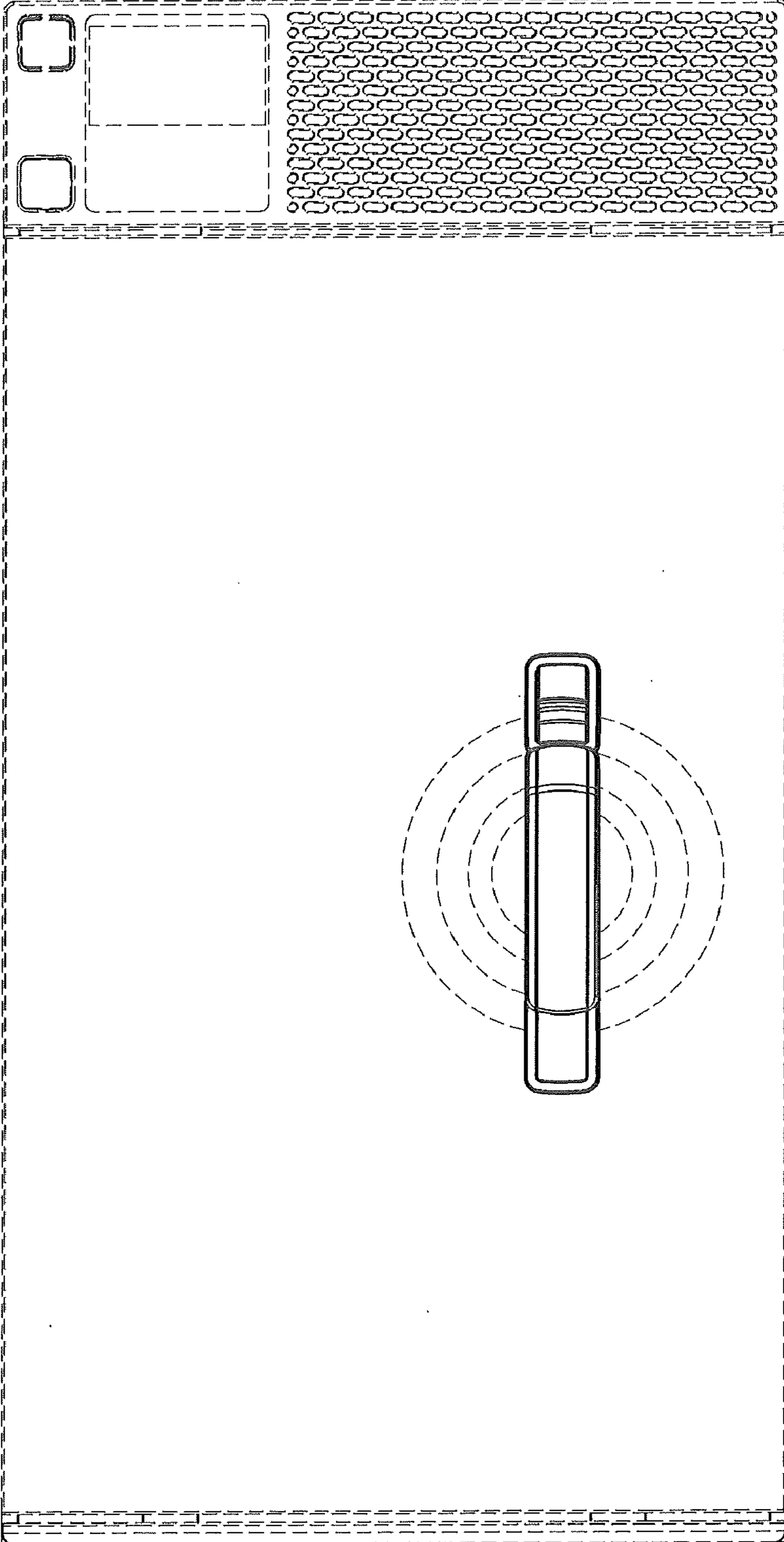


Fig. 1

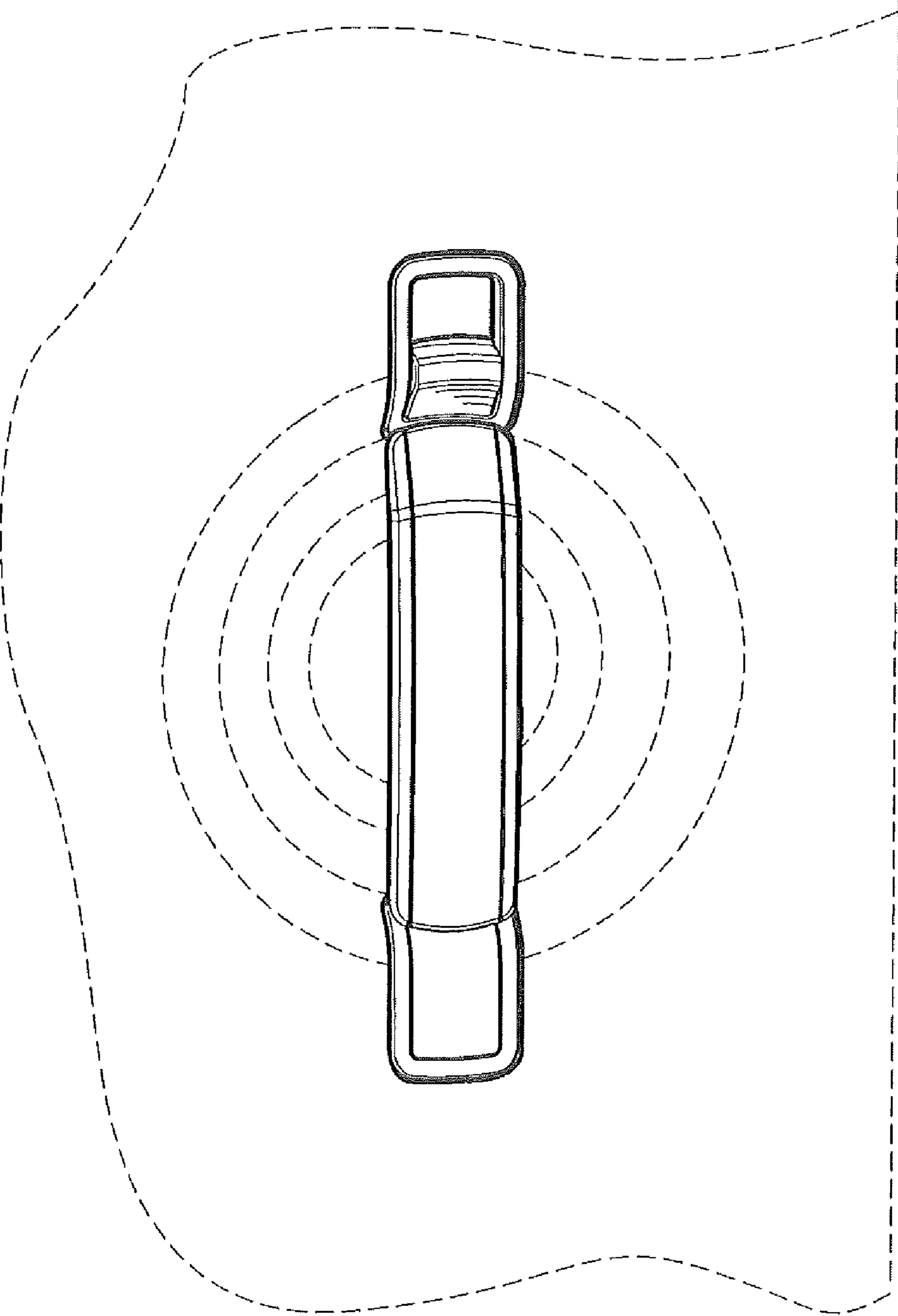


Fig. 2

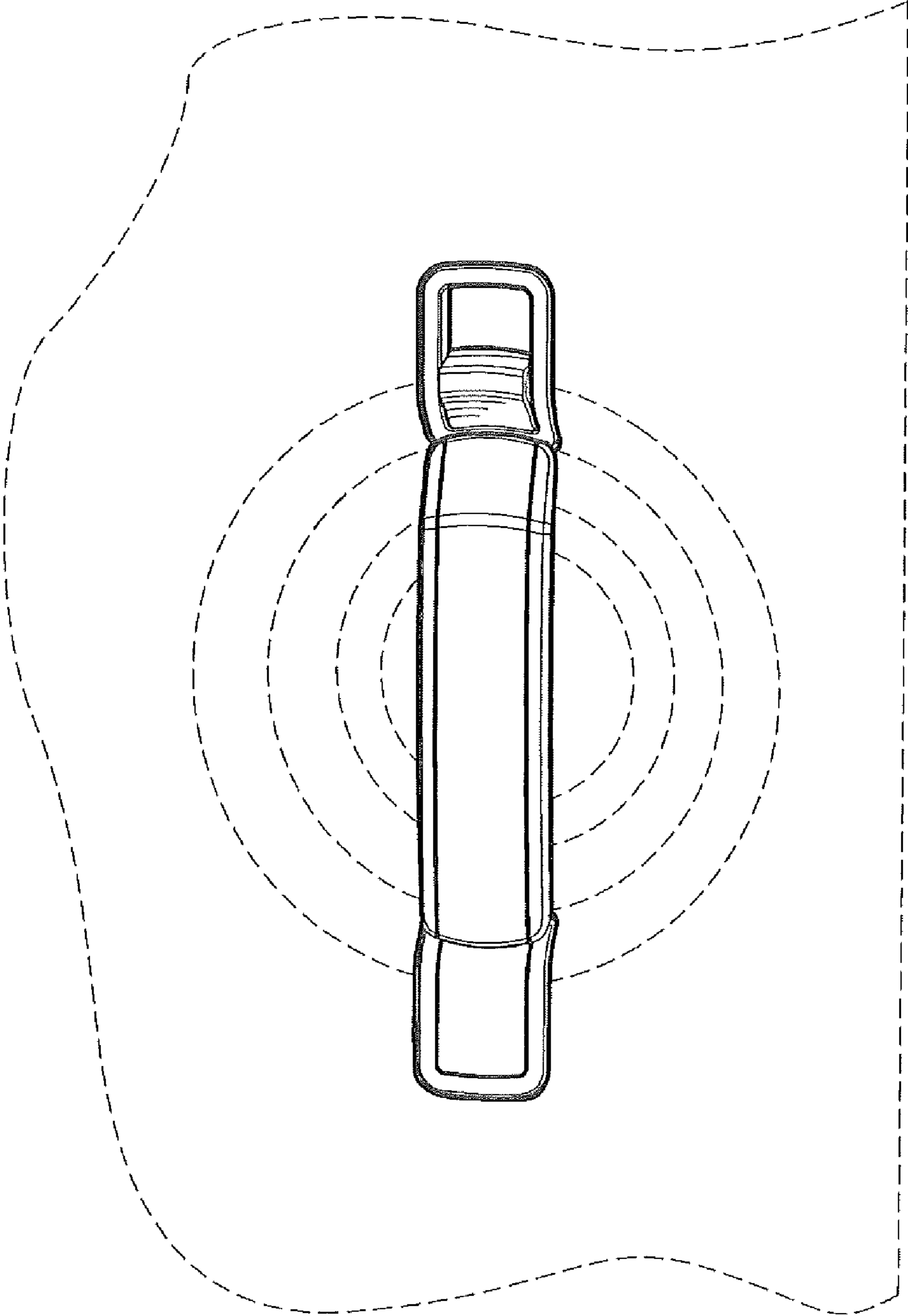


Fig. 3