



US00D658965S

(12) **United States Design Patent**
Wyers

(10) **Patent No.:** **US D658,965 S**

(45) **Date of Patent:** **** May 8, 2012**

(54) **ADJUSTABLE COUPLE LATCH LOCK**

(76) Inventor: **Philip Warren Wyers**, Centennial, CO
(US)

(**) Term: **14 Years**

(21) Appl. No.: **29/373,960**

(22) Filed: **Jun. 15, 2011**

(51) **LOC (9) Cl.** **08-07**

(52) **U.S. Cl.** **D8/330; D8/331; D8/339; D8/343**

(58) **Field of Classification Search** **D8/330,**
D8/331, 336, 339, 341, 343; 70/181-189,
70/431, 14, 34, 33, 91; 292/86, 259 R, 288,
292/340, 32, 156, 41, 119

See application file for complete search history.

(56) **References Cited**

U.S. PATENT DOCUMENTS

5,332,251	A *	7/1994	Farquhar	280/507
5,345,794	A *	9/1994	Jenks	70/14
5,682,775	A *	11/1997	Baber	70/34
6,055,832	A *	5/2000	Wyers	70/34
D428,795	S *	8/2000	Wyers	D8/341
D447,043	S *	8/2001	Wyers	D8/339
6,425,272	B1 *	7/2002	Chen	70/34
6,575,000	B1 *	6/2003	Li	70/34
D505,854	S *	6/2005	Wyers	D8/343

D589,779	S *	4/2009	Wrase et al.	D8/330
D605,927	S *	12/2009	Wyers	D8/331
D646,951	S *	10/2011	Tsai	D8/330

* cited by examiner

Primary Examiner — Prabhakar Deshmukh

(57) **CLAIM**

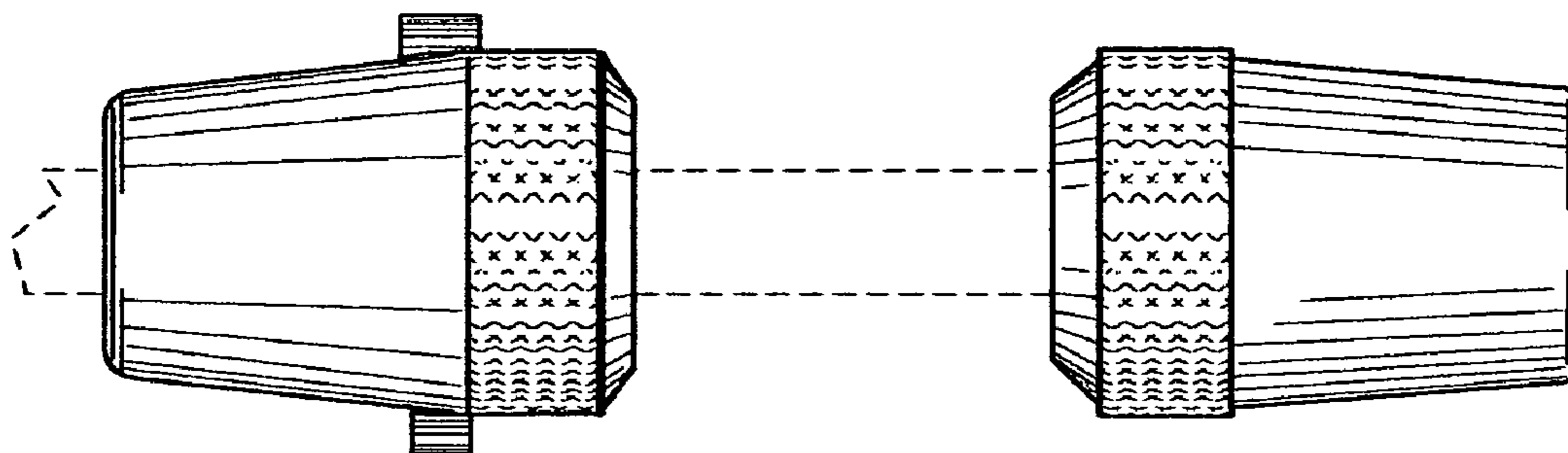
The ornamental design for a adjustable couple latch lock, as shown and described.

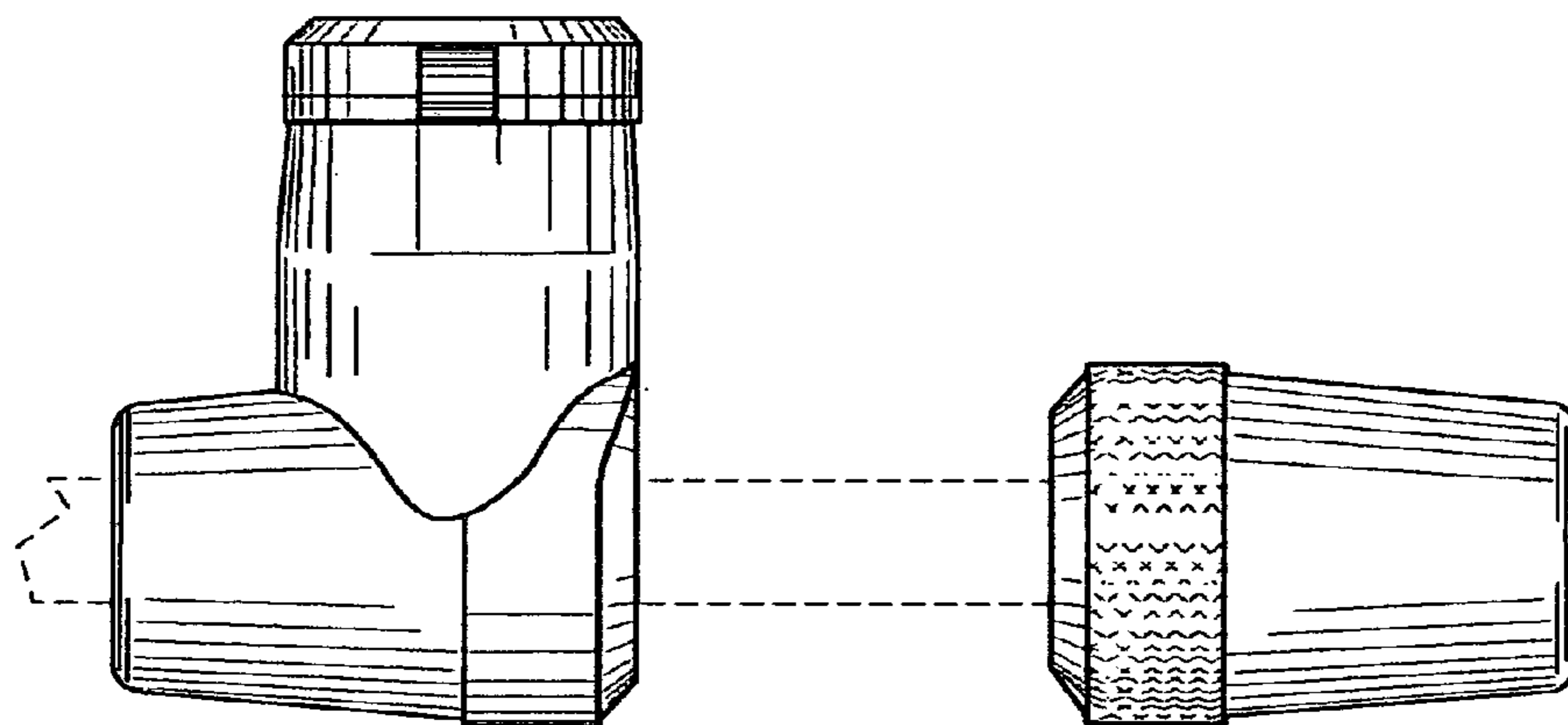
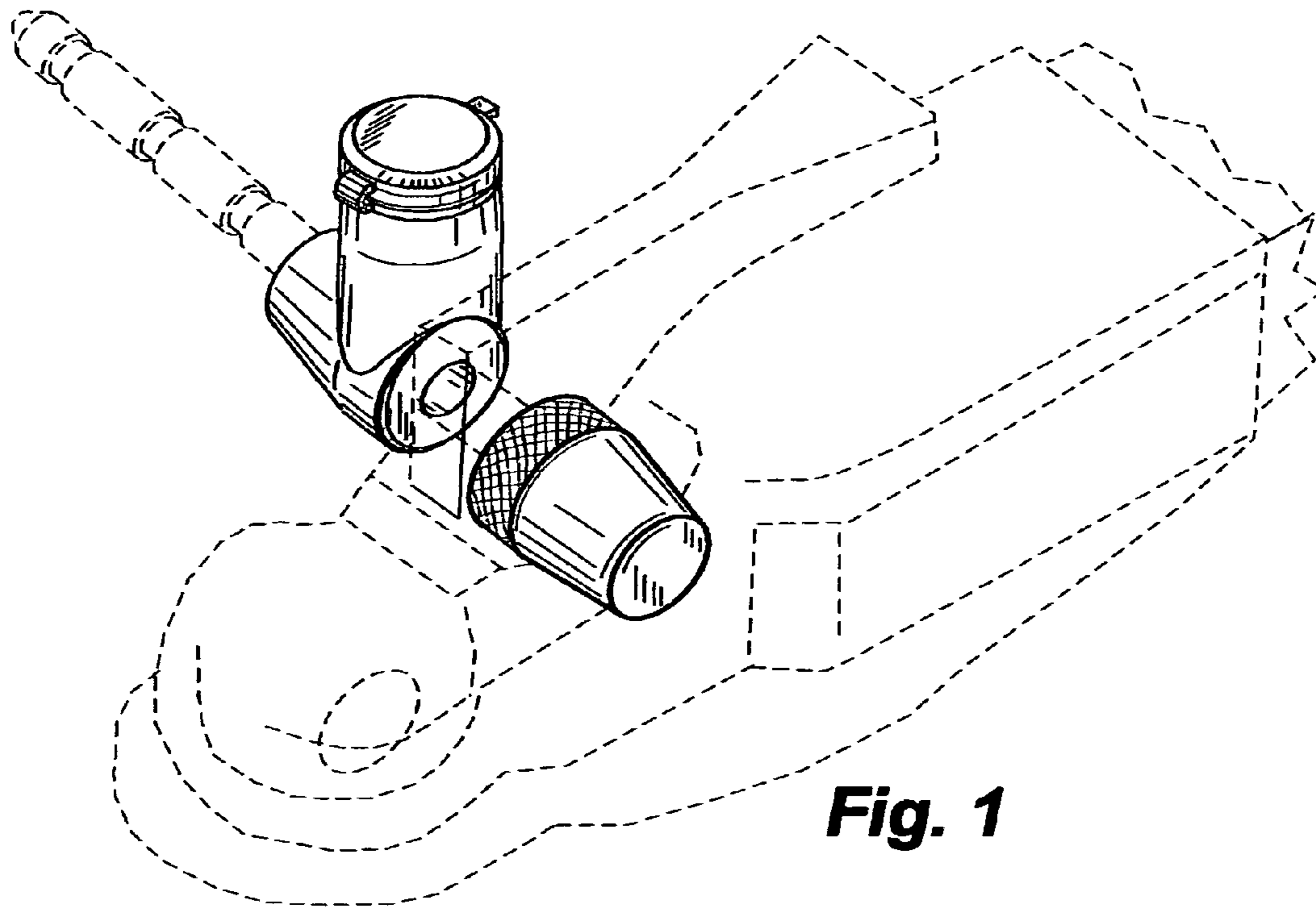
DESCRIPTION

FIG. 1 is a perspective view of an adjustable couple latch lock showing my new design, shown with knurling on its stopper; FIG. 2 is a front elevational view thereof; FIG. 3 is a top plan view thereof; FIG. 4 is a bottom plan view thereof; FIG. 5 is a left side elevational view thereof; FIG. 6 is a right side elevational view thereof; FIG. 7 is a top plan view of a second embodiment of FIG. 1, shown with knurling on its stopper and locking head; FIG. 8 is bottom plan view of FIG. 7; FIG. 9 is front elevational view of FIG. 7; FIG. 10 is a top plan view of a third embodiment of FIG. 1, shown without knurling on its surfaces; FIG. 11 is a bottom plan view of FIG. 10; and, FIG. 12 is front elevational view of FIG. 10.

The broken lines environment is for illustrative purpose only and forms no part of the claimed design.

1 Claim, 4 Drawing Sheets





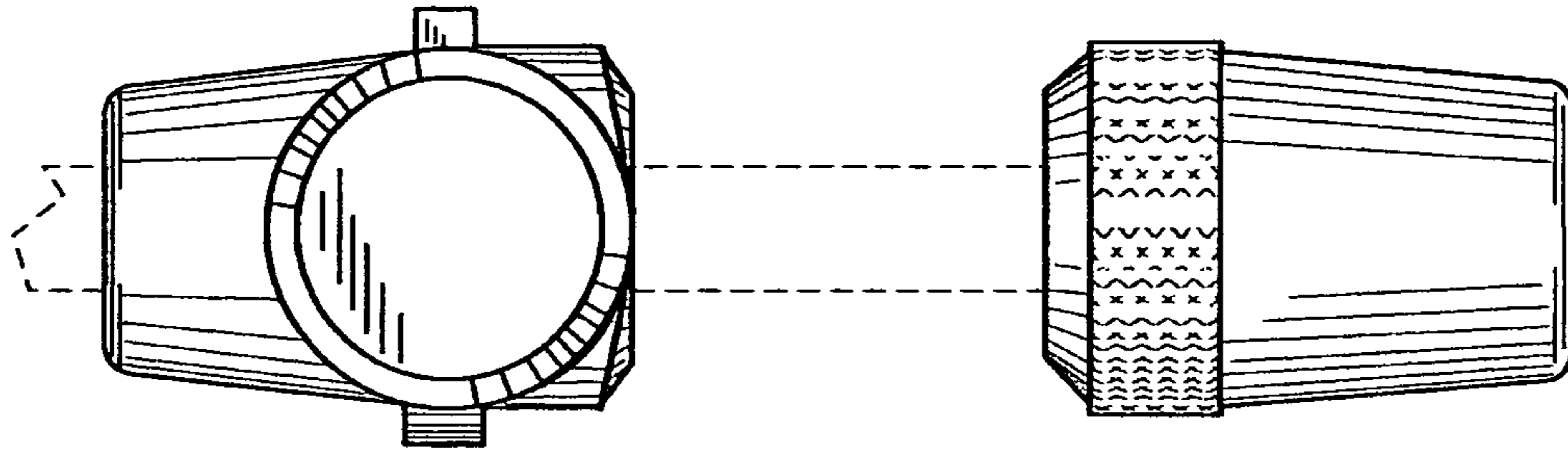


Fig. 3

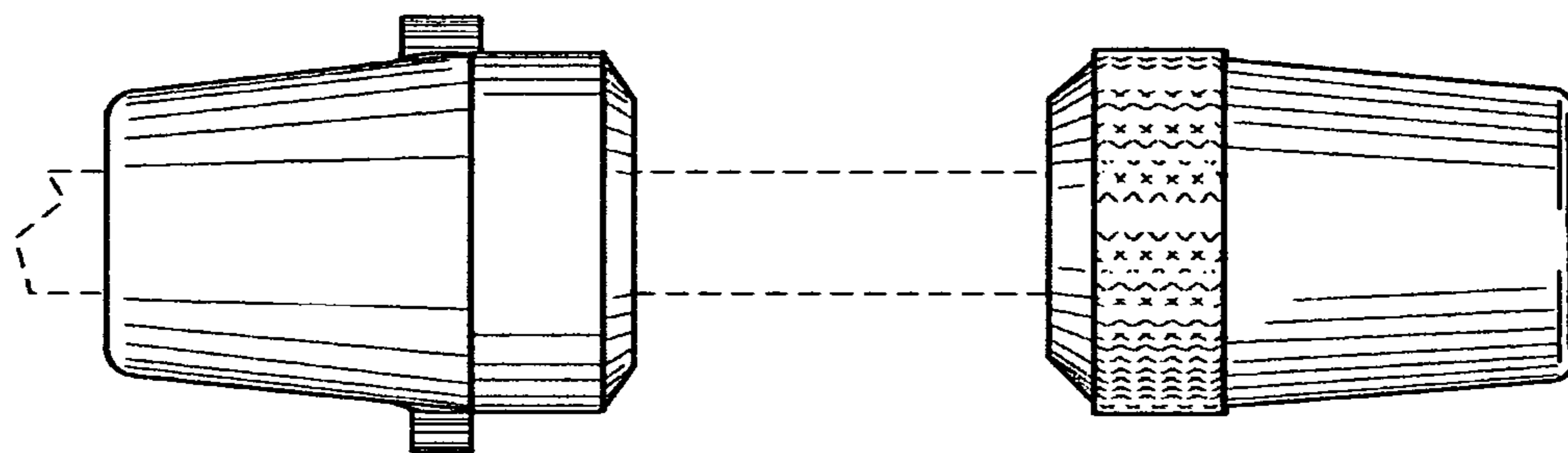


Fig. 4

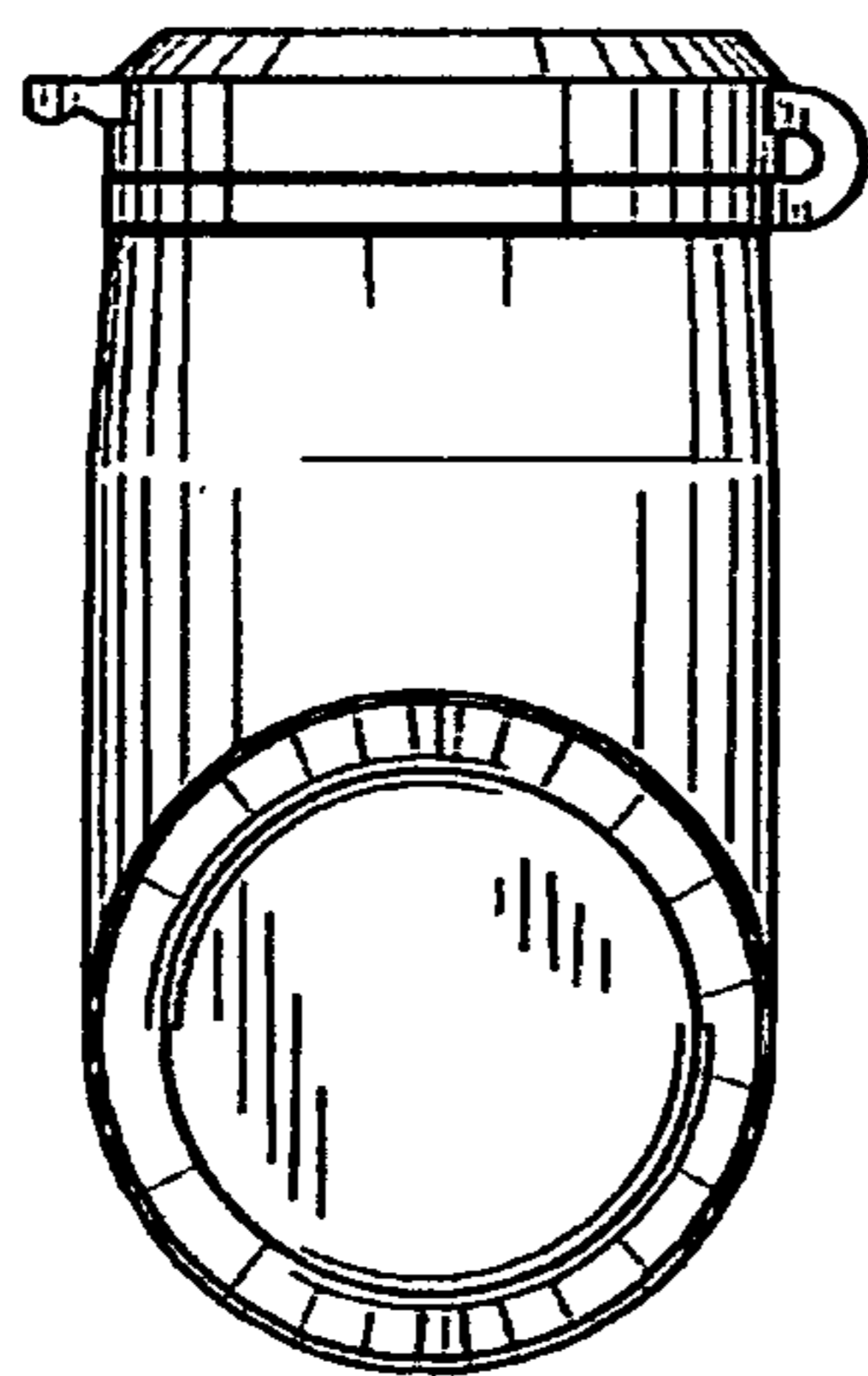


Fig. 5

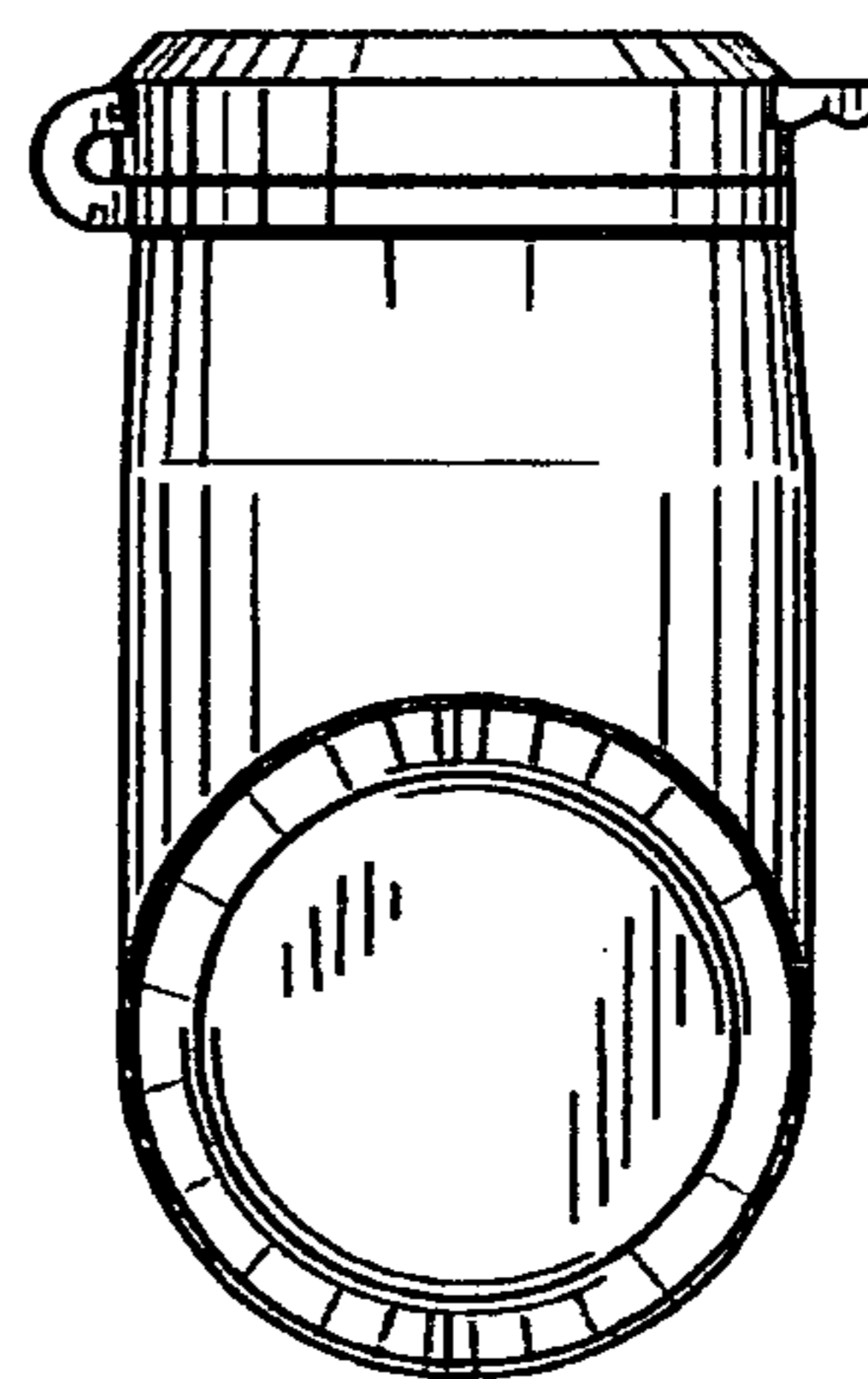


Fig. 6

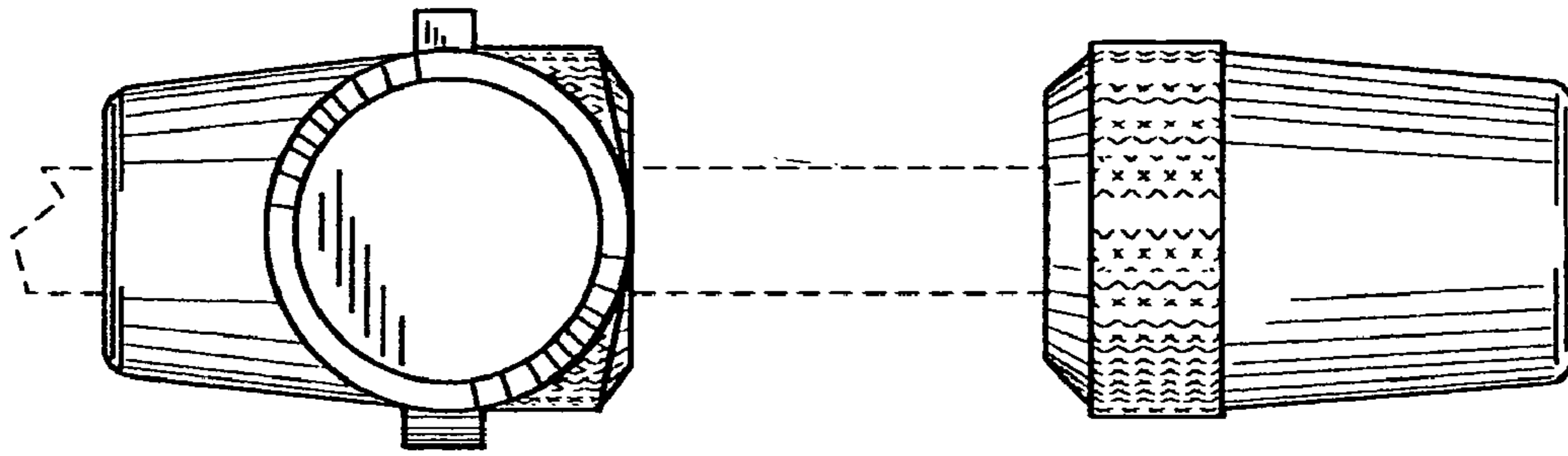


Fig. 7

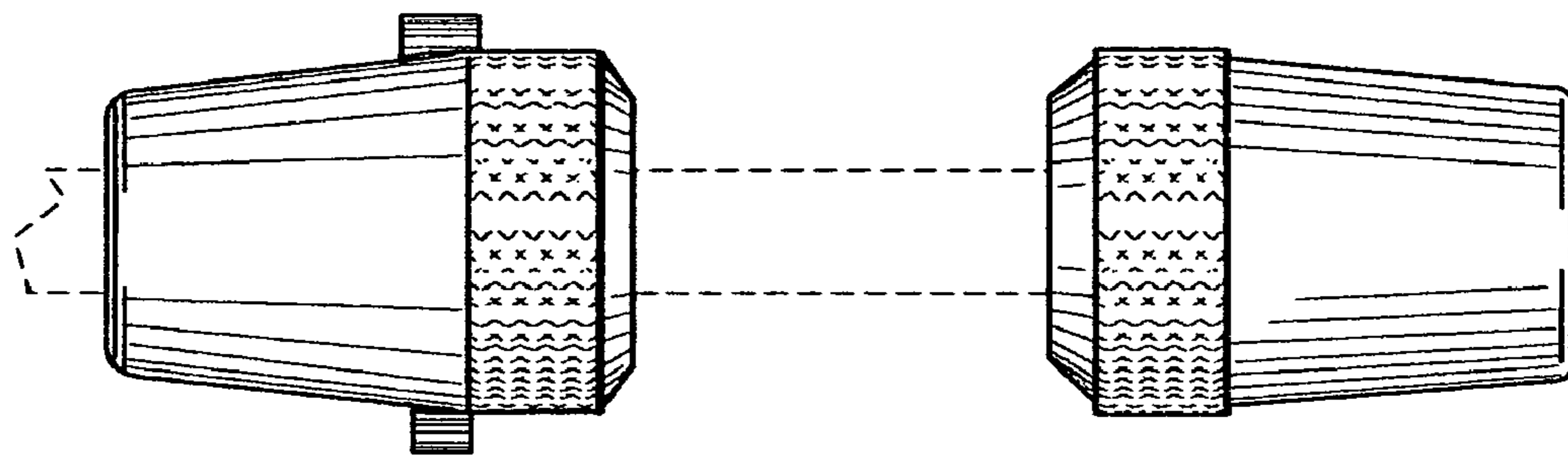


Fig. 8

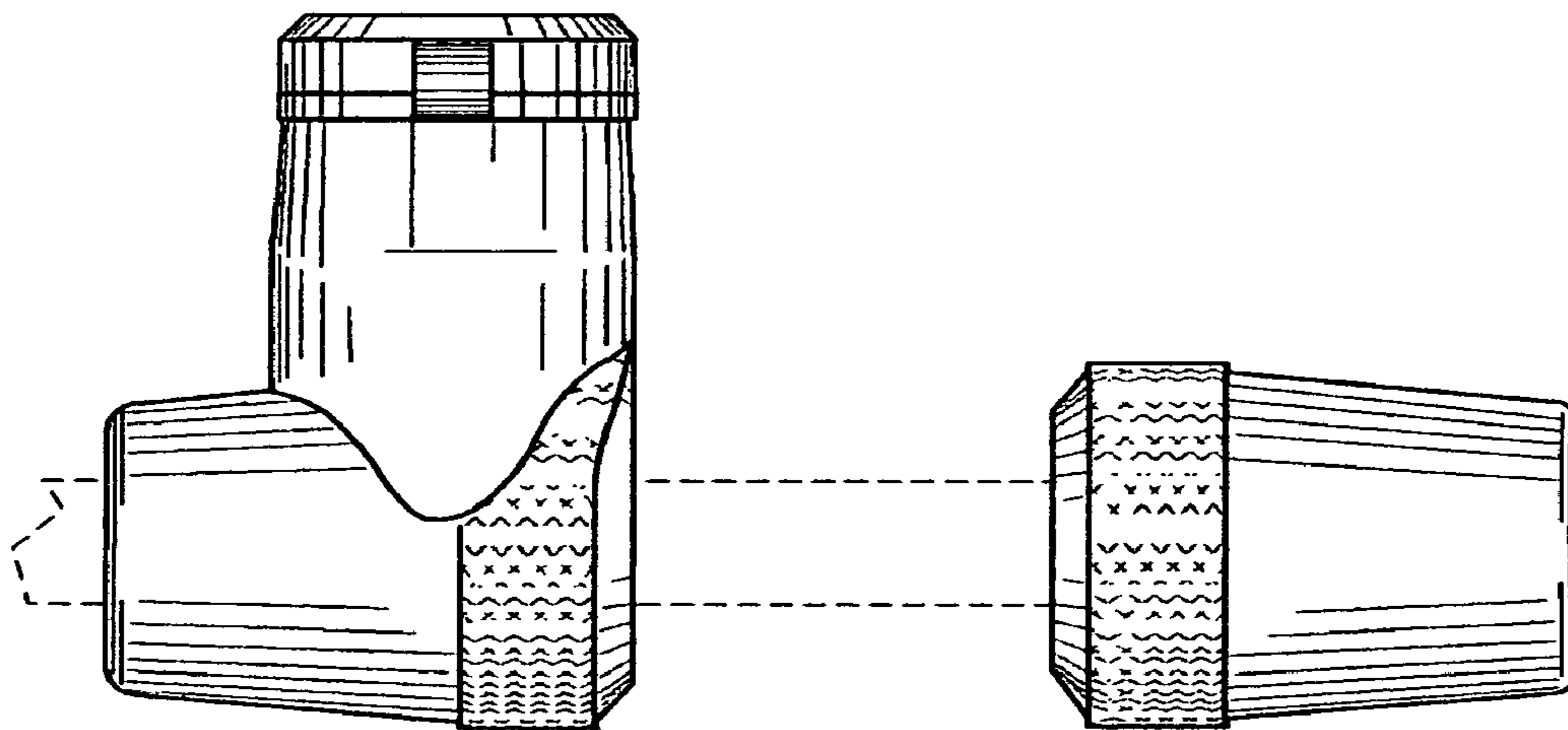


Fig. 9

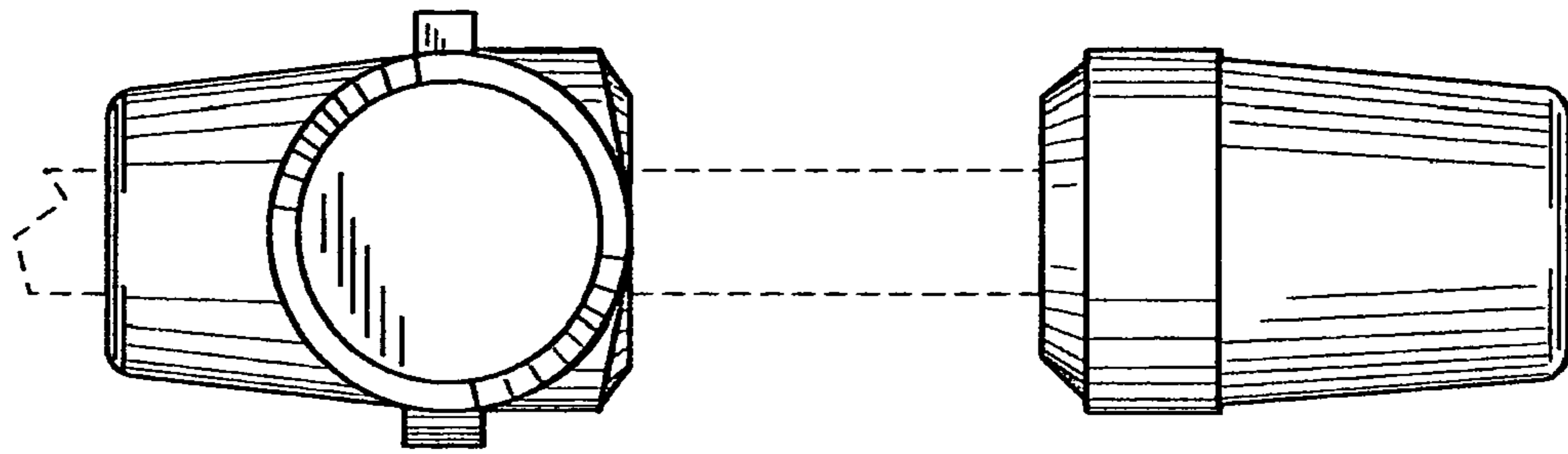


Fig. 10

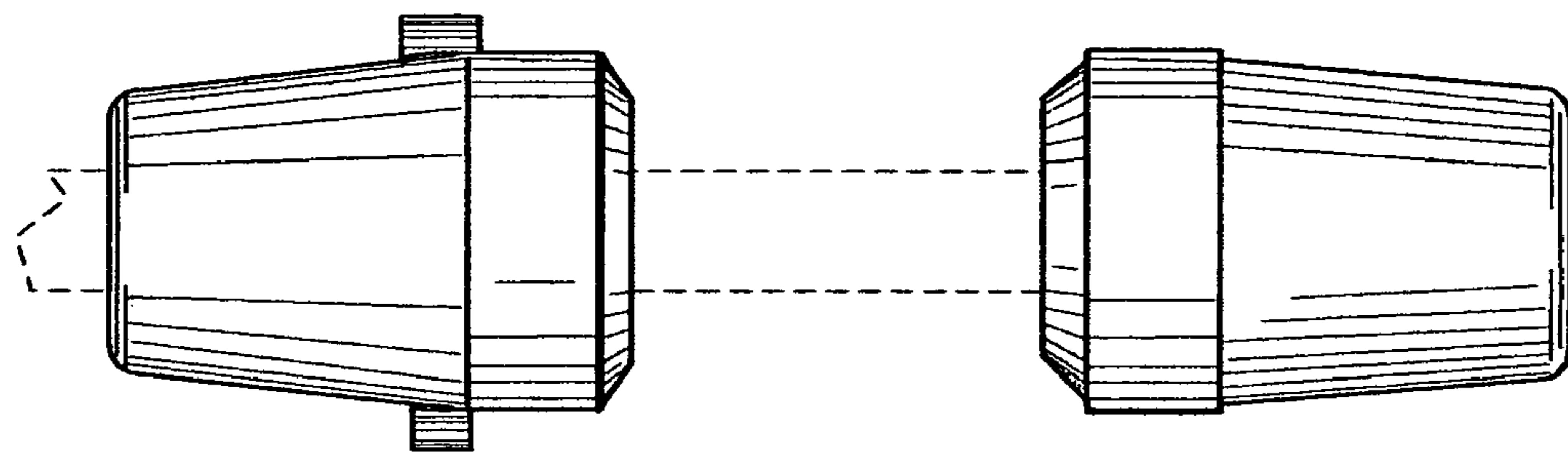


Fig. 11

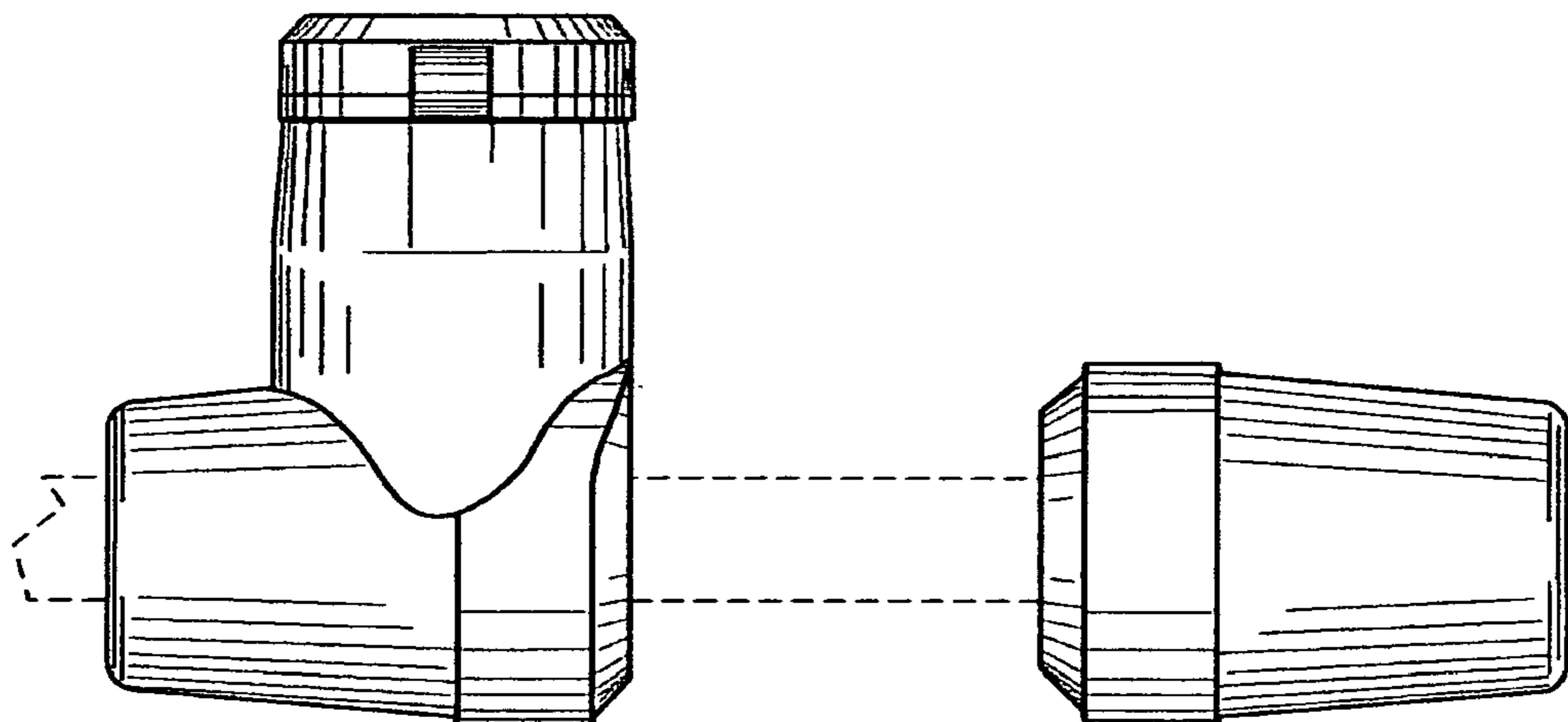


Fig. 12