

US00D658964S

(12) **United States Design Patent**
Elsener

(10) **Patent No.:** **US D658,964 S**

(45) **Date of Patent:** **** May 8, 2012**

(54) **POCKET TOOL WITH CONTROL PANEL**

(75) Inventor: **Carl S. Elsener**, Ibach (CH)

(73) Assignee: **Victorinox AG**, Ibach-Schwyz (CH)

(**) Term: **14 Years**

(21) Appl. No.: **29/368,232**

(22) Filed: **Aug. 20, 2010**

(30) **Foreign Application Priority Data**

Feb. 23, 2010 (EP) 001672874-0001

(51) **LOC (9) Cl.** **08-05**

(52) **U.S. Cl.** **D8/105**

(58) **Field of Classification Search** D8/99,
D8/58, 55, 52, 356, 107, 105; D19/65; 81/440,
81/427.5, 3.35; 7/160, 138, 128, 118; 30/298.4,
30/162, 161, 155; 362/119; D27/142, 143;
D14/492

See application file for complete search history.

(56) **References Cited**

U.S. PATENT DOCUMENTS

4,854,045 A * 8/1989 Schaub 30/155
6,142,769 A * 11/2000 Walker 431/253
D469,677 S * 2/2003 Hung D8/105
7,146,667 B2 * 12/2006 Elsener 7/118
7,373,681 B2 * 5/2008 Elsener 7/118
D580,455 S * 11/2008 Elsener D14/496
7,673,357 B1 * 3/2010 Stump et al. 7/151

D645,722 S * 9/2011 Yamaguchi D8/105
D652,046 S * 1/2012 Belan D14/480.6
2005/0081302 A1 * 4/2005 Elsener 7/118
2010/0075517 A1 * 3/2010 Ni et al. 439/131

* cited by examiner

Primary Examiner — Austin Murphy

(74) *Attorney, Agent, or Firm* — Edwards Wildman Palmer LLP; David I. Greenbaum

(57) **CLAIM**

The ornamental design for a pocket tool with control panel, as shown and described.

DESCRIPTION

FIG. 1 is a front view of the design for a pocket tool with control panel;

FIG. 2 is a top view of the pocket tool with control panel of FIG. 1;

FIG. 3 is a back view of the pocket tool with control panel of FIG. 1;

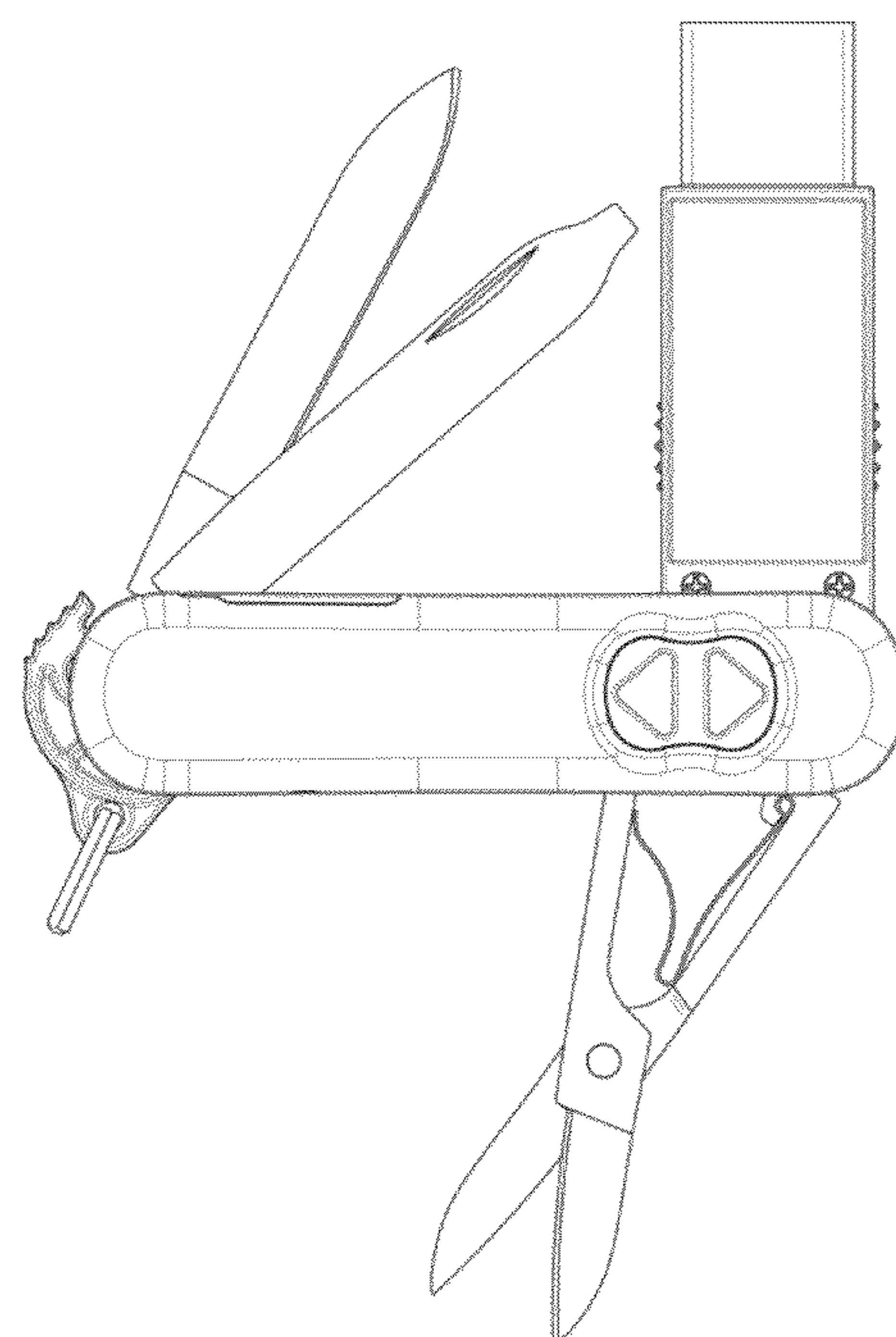
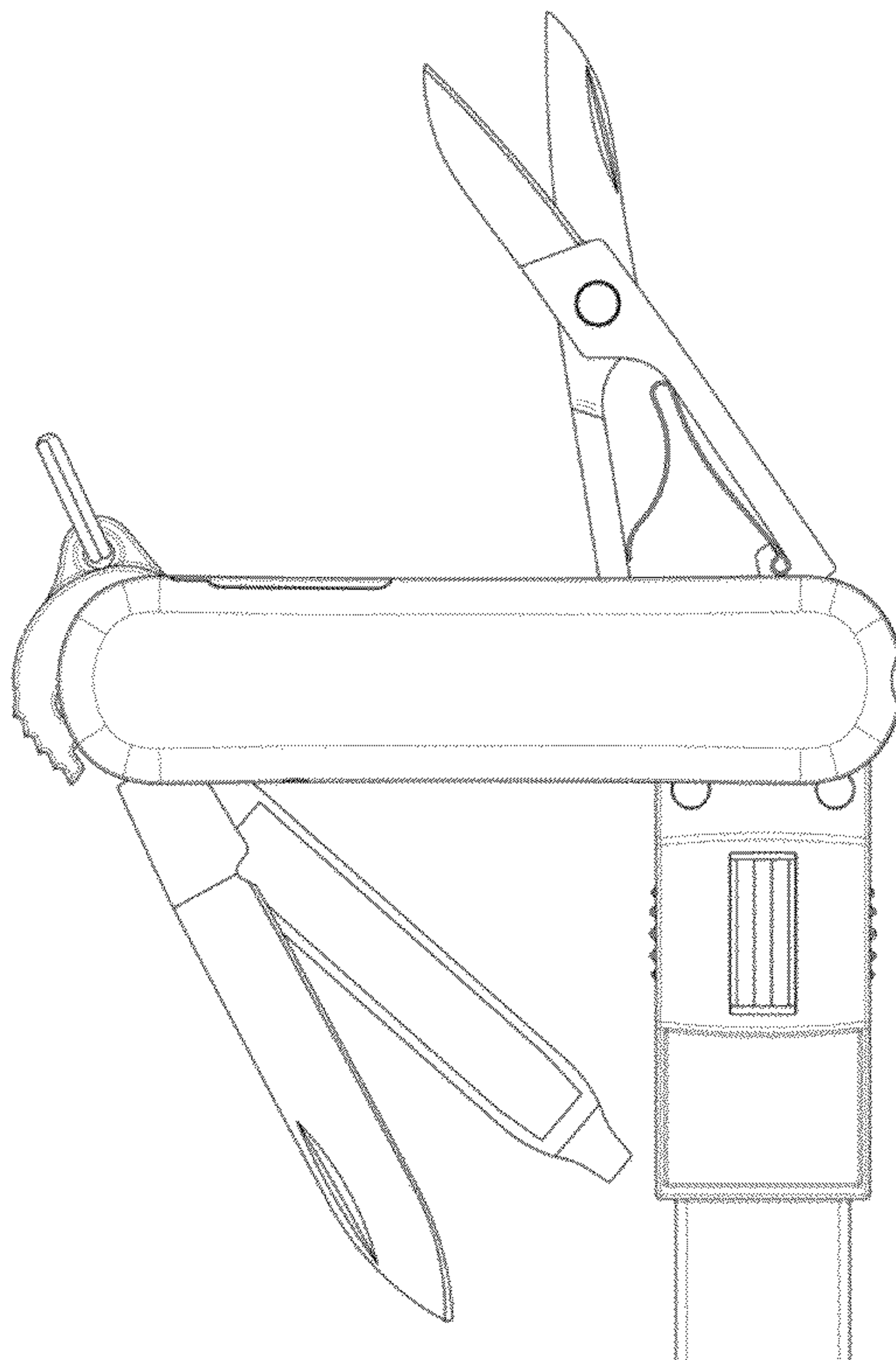
FIG. 4 is a bottom view of the pocket tool with control panel of FIG. 1;

FIG. 5 is a back view of the pocket tool with control panel of FIG. 1 shown in an open position;

FIG. 6 is a bottom view of the pocket tool with control panel of FIG. 1 shown in an open position; and,

FIG. 7 is a front view of the pocket tool with control panel of FIG. 1 shown in an open position.

1 Claim, 7 Drawing Sheets



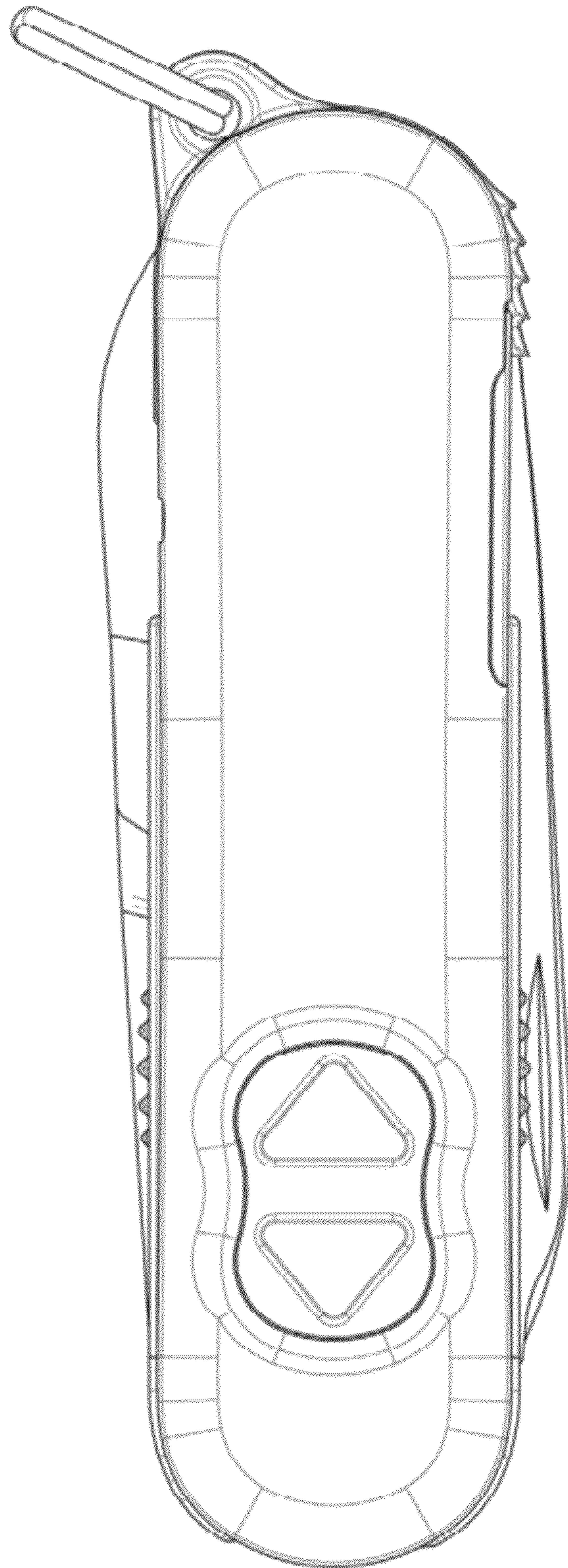


FIG. 1

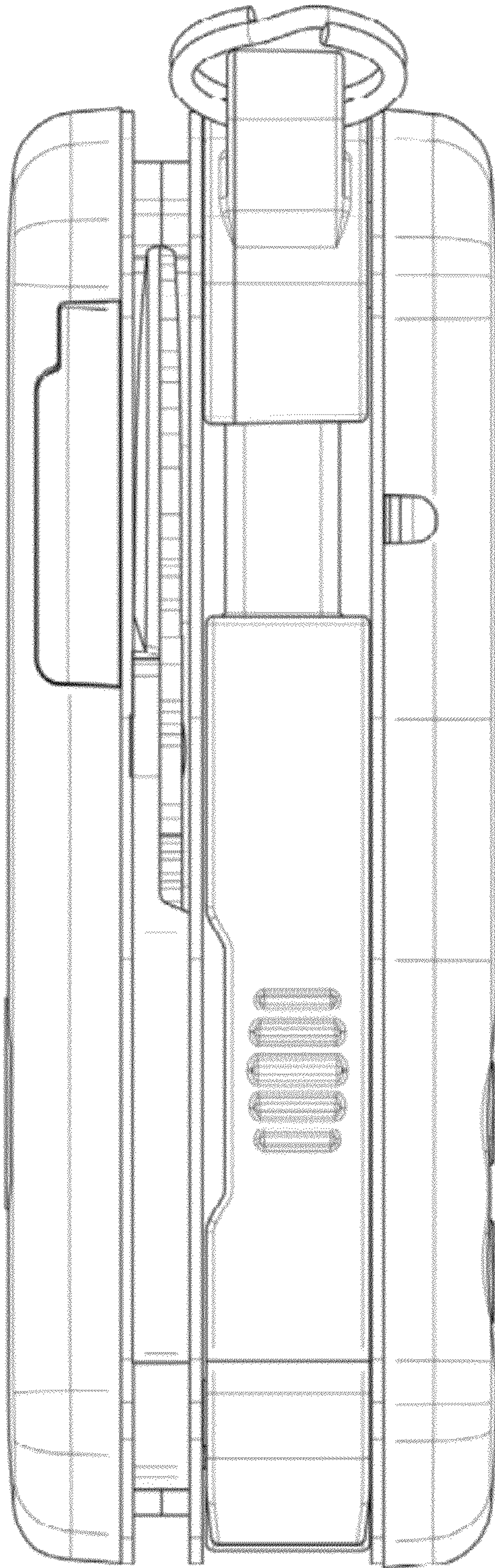


FIG. 2



FIG. 3

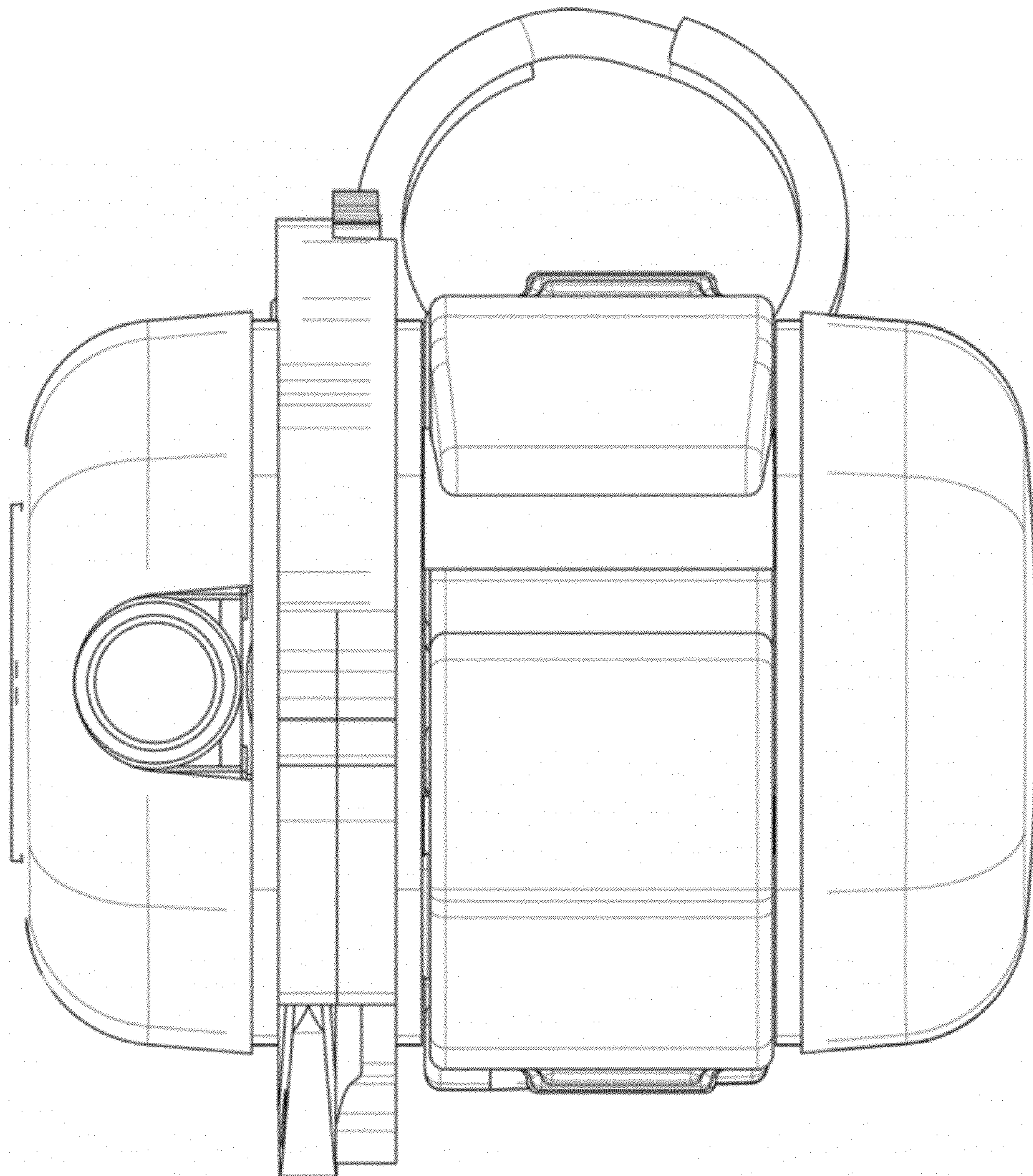


FIG. 4

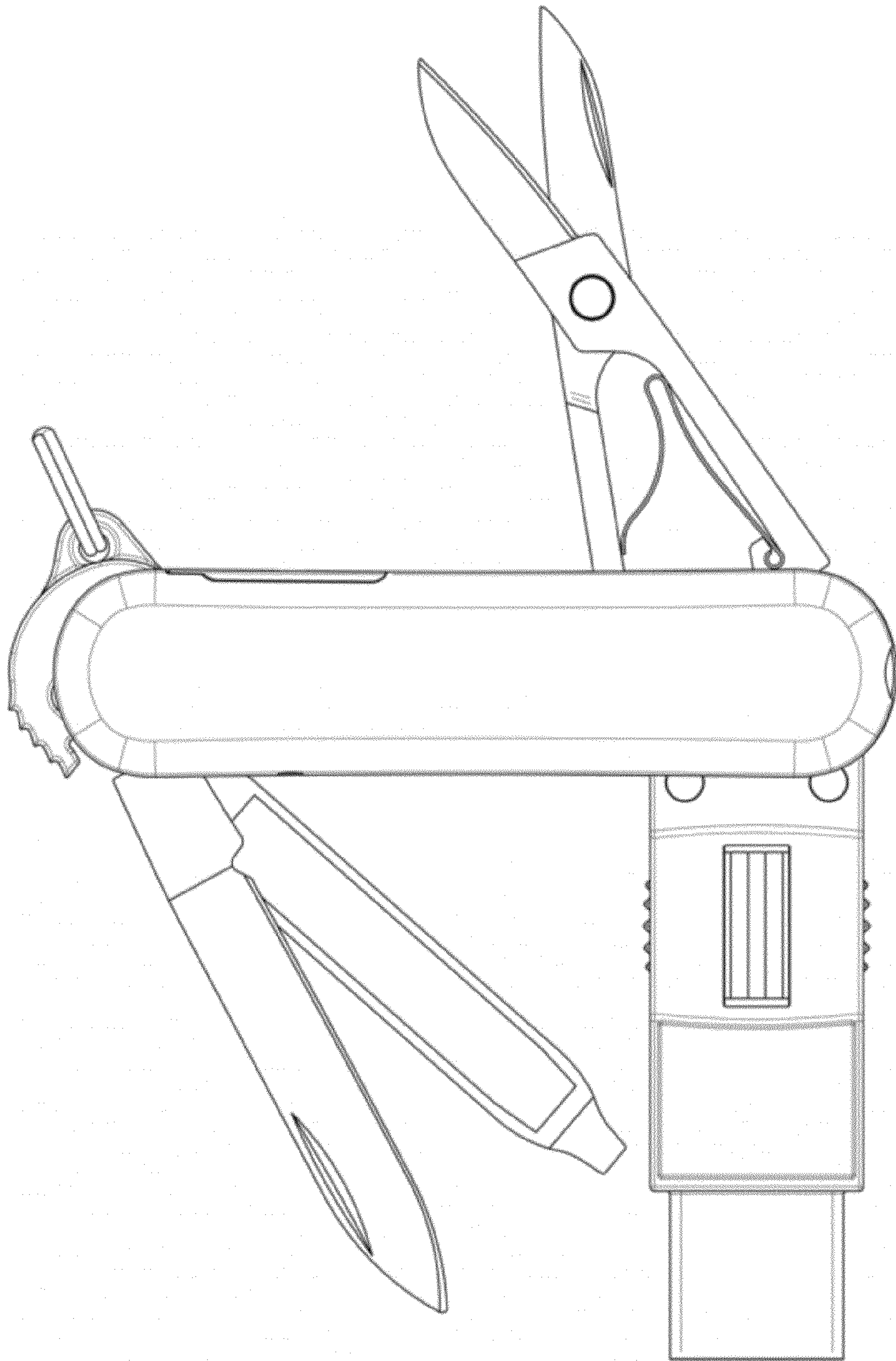


FIG. 5

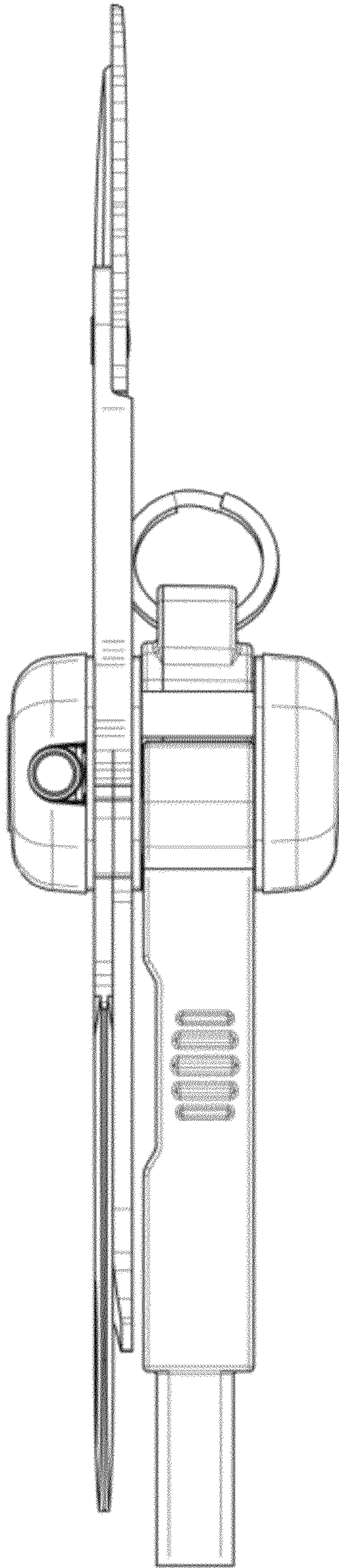


FIG. 6

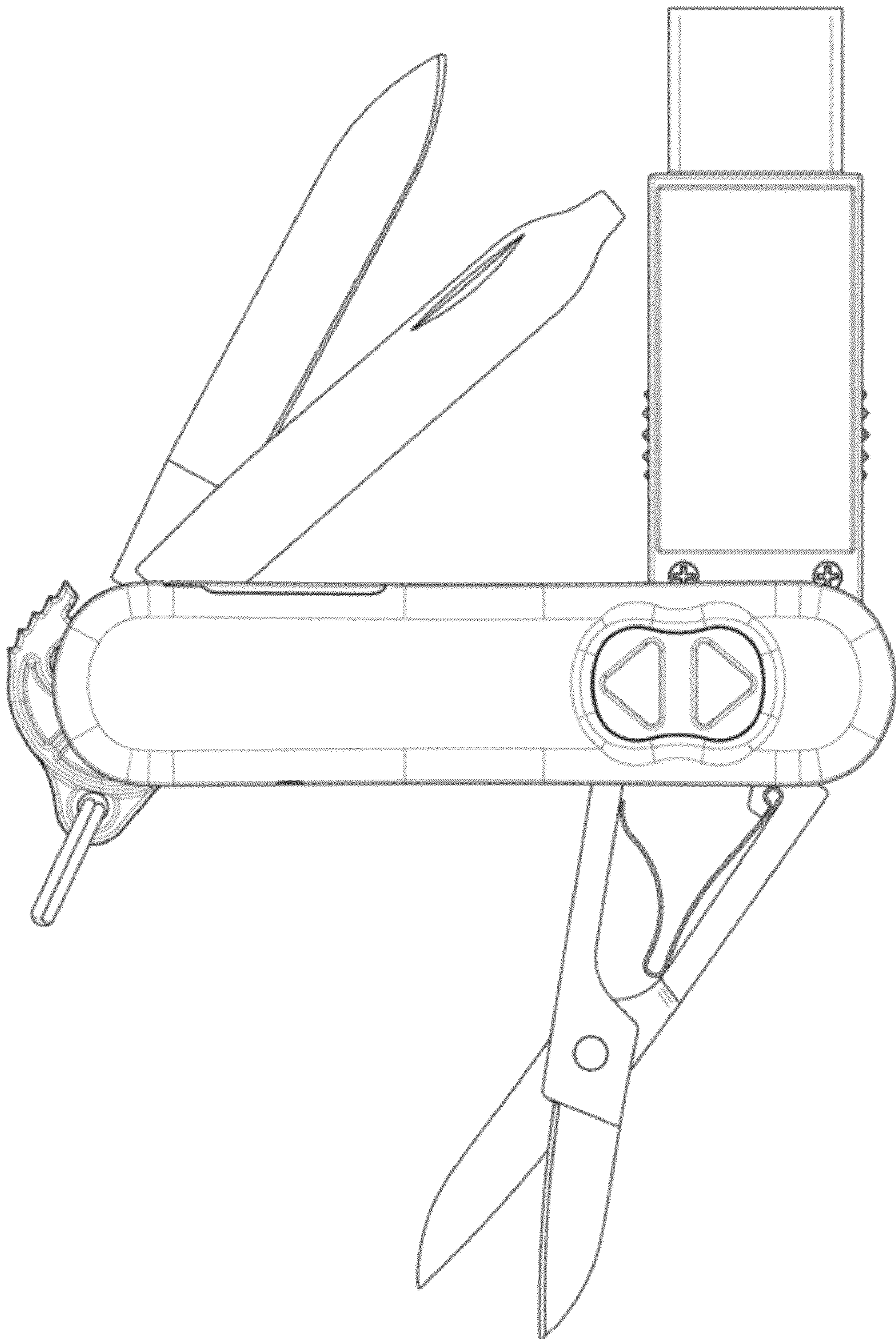


FIG. 7