



US00D658963S

(12) **United States Design Patent**
Kufner et al.

(10) **Patent No.:** **US D658,963 S**

(45) **Date of Patent:** **** May 8, 2012**

(54) **TILE ALIGNMENT AND LEVELING DEVICE**

(75) Inventors: **Edward A Kufner**, Fairfield, IA (US);
Michele Volponi, Fairfield, IA (US)

(73) Assignee: **Davinci Italia/USA Group, LLC**,
Fairfield, IA (US)

(**) Term: **14 Years**

(21) Appl. No.: **29/366,668**

(22) Filed: **Jul. 28, 2010**

(51) **LOC (9) Cl.** **08-08**

(52) **U.S. Cl.** **D8/105**

(58) **Field of Classification Search** D8/105,
D8/14, 51, 52, 89, 81, 76, 356, 26; D10/64;
D34/35; D6/349, 449; D25/199; 33/527,
33/526; 428/98, 64.1; 52/392, 389, 749.11
See application file for complete search history.

(56) **References Cited**

U.S. PATENT DOCUMENTS

D240,708 S	7/1976	Ilukowicz	
4,796,330 A	1/1989	Ziegler	
4,802,259 A	2/1989	Geslewitz	
D334,133 S	3/1993	Hartzheim	
5,198,031 A	3/1993	Derstine	
5,288,534 A	2/1994	Tavshanjian	
5,359,783 A	11/1994	Smith	
D361,021 S	8/1995	Harper	
D372,415 S	8/1996	Guidotti	
D382,180 S	8/1997	Chuang	
5,701,680 A *	12/1997	Garcia et al.	33/526
D454,263 S *	3/2002	Worrall	D6/449
D466,380 S	12/2002	Dickson	
D492,210 S	6/2004	Shilo et al.	
D504,805 S	5/2005	Sorkin	
D509,416 S	9/2005	LeBeau et al.	

6,944,912 B1	9/2005	LeBeau et al.	
D542,162 S	5/2007	Skillings	
7,257,926 B1 *	8/2007	Kirby	52/126.5
D561,501 S	2/2008	Joseph	
D573,423 S	7/2008	Simons	
7,536,802 B1	5/2009	Tavy et al.	
D594,737 S	6/2009	Kelly et al.	
D595,117 S	6/2009	Sorkin	
7,698,831 B2	4/2010	Higgs et al.	
D630,077 S	1/2011	Kufner	
D630,078 S	1/2011	Kufner	
7,861,487 B2 *	1/2011	Kufner et al.	52/749.11
D640,119 S *	6/2011	Kufner et al.	D8/105
7,954,300 B1 *	6/2011	Kufner et al.	52/749.11
8,011,164 B2 *	9/2011	Kufner et al.	52/749.11
8,079,199 B1 *	12/2011	Kufner et al.	52/749.11
8,099,926 B2 *	1/2012	Kufner et al.	52/749.11
2004/0060184 A1	4/2004	Shilo et al.	

* cited by examiner

Primary Examiner — Austin Murphy

(74) *Attorney, Agent, or Firm* — Ryan N. Carter

(57) **CLAIM**

We claim the ornamental design for the tile alignment and leveling device, as shown and described.

DESCRIPTION

FIG. 1 is a front perspective view of the device;

FIG. 2 is a first side view;

FIG. 3 is a second side view;

FIG. 4 is a third side view;

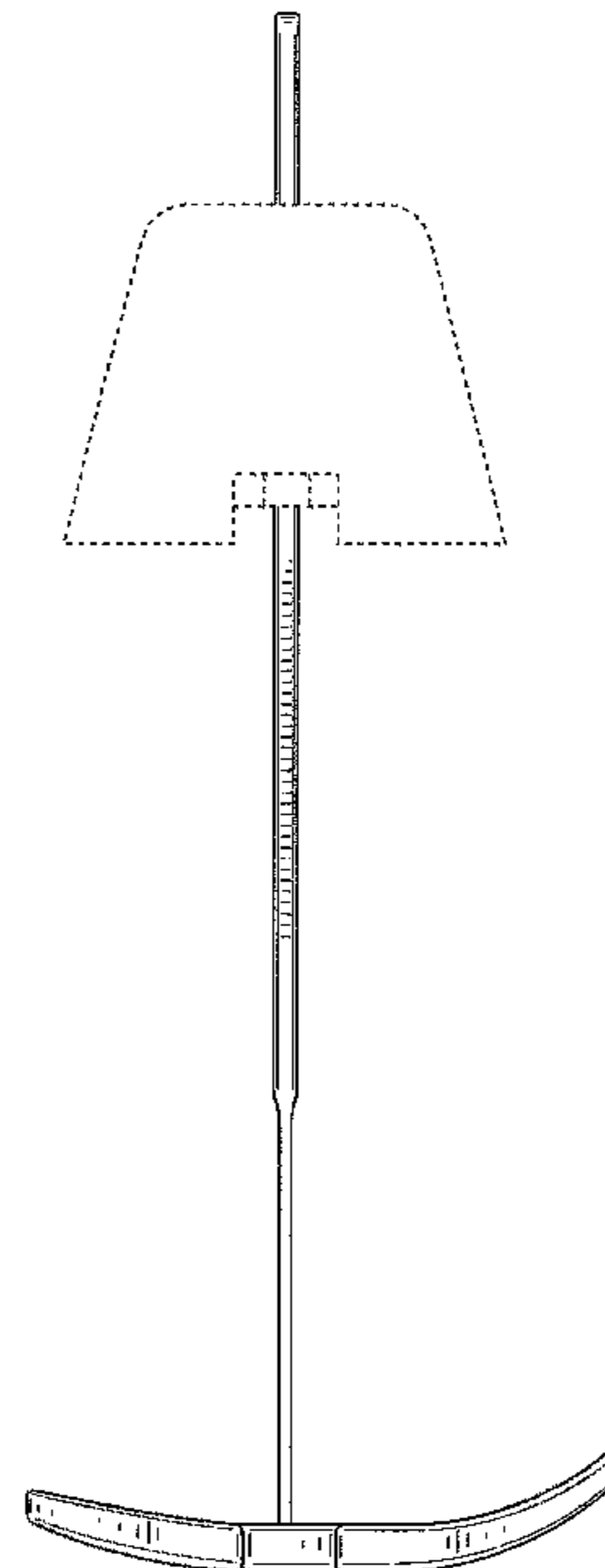
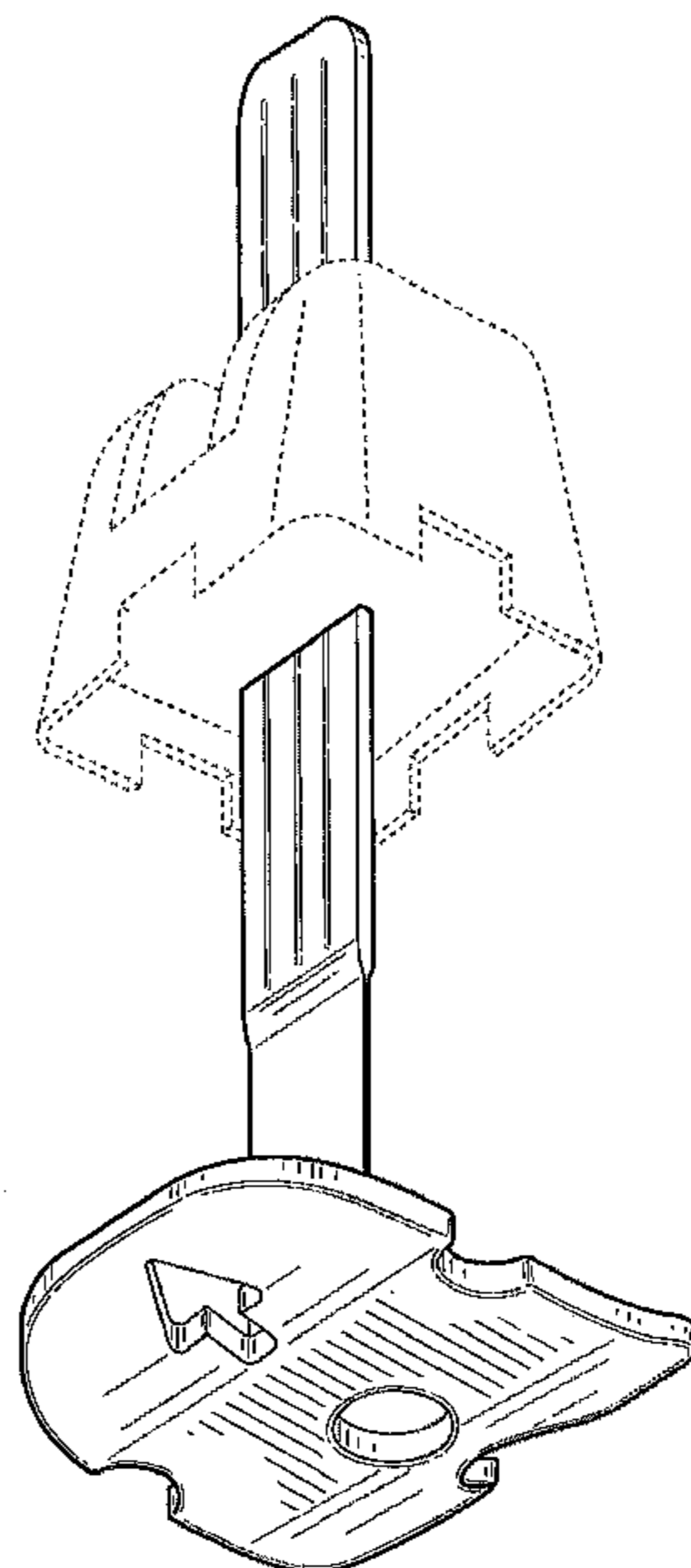
FIG. 5 is a fourth side view;

FIG. 6 is a bottom view; and,

FIG. 7 is a top view.

The broken lines shown in the drawings represent portions of the tile alignment and leveling device that form no part of the claimed design.

1 Claim, 7 Drawing Sheets



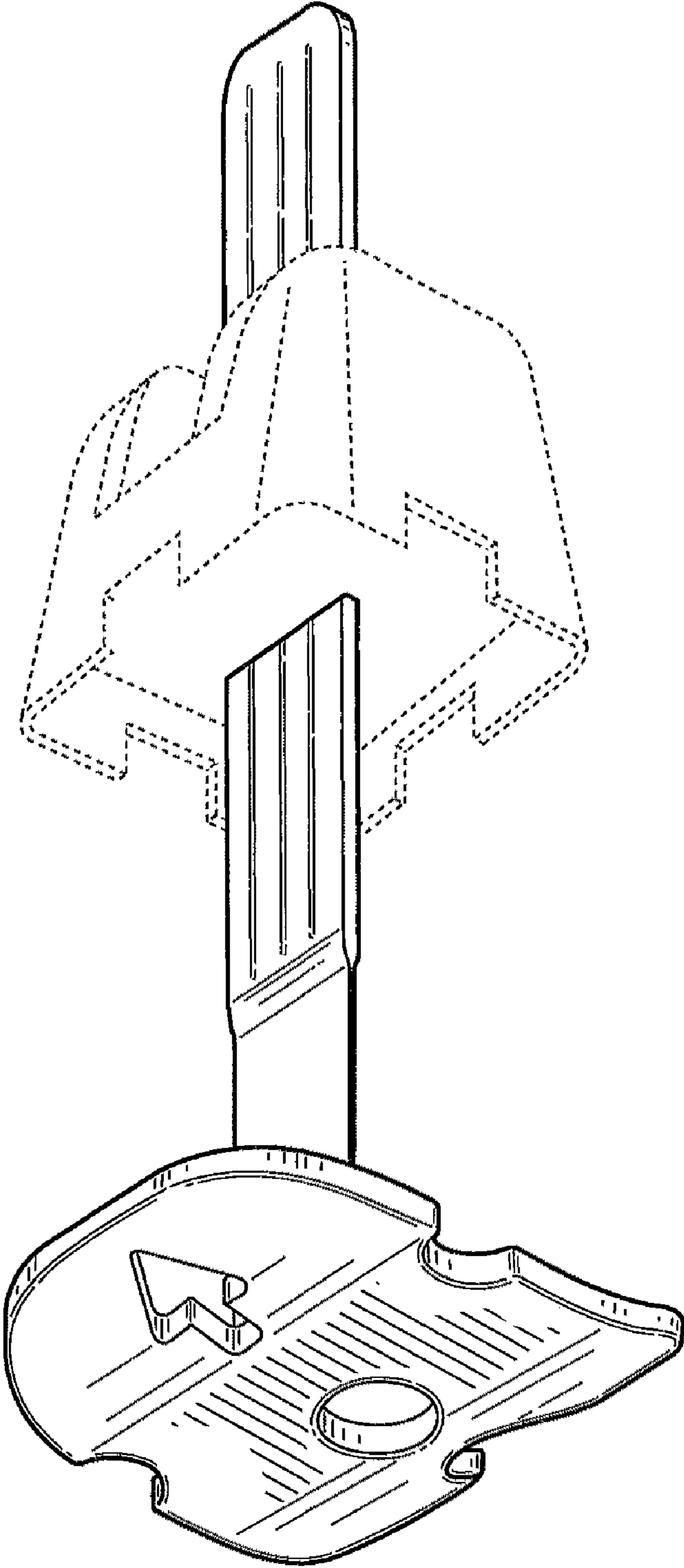


FIG. 1

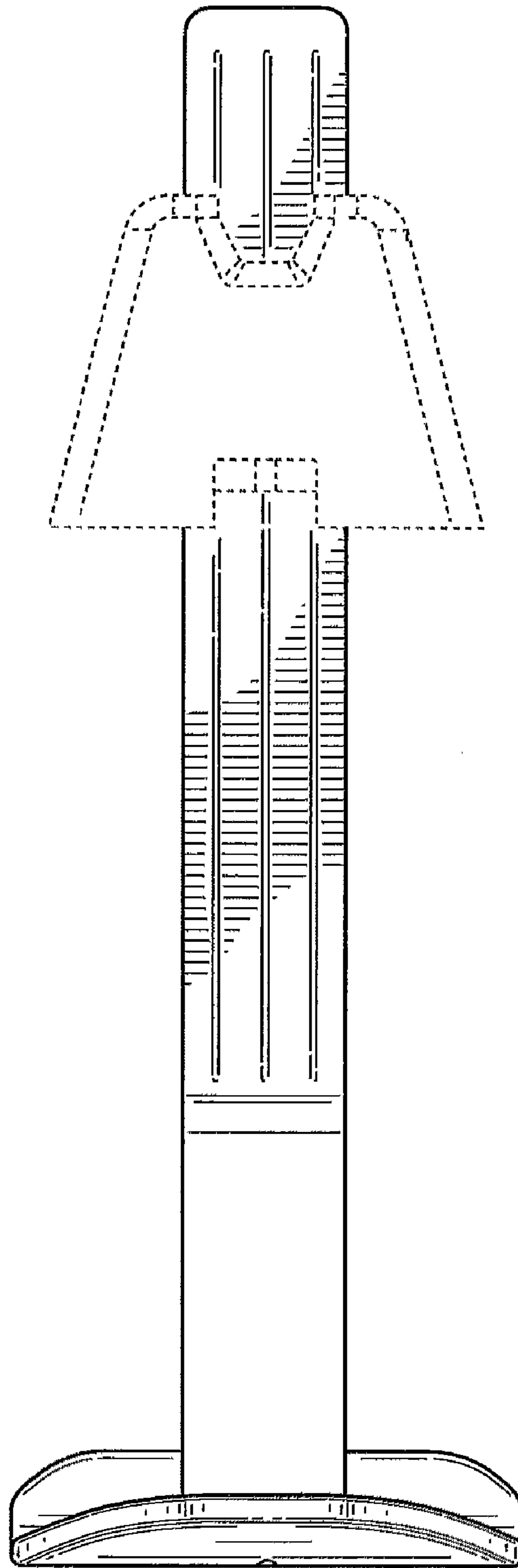


FIG. 2

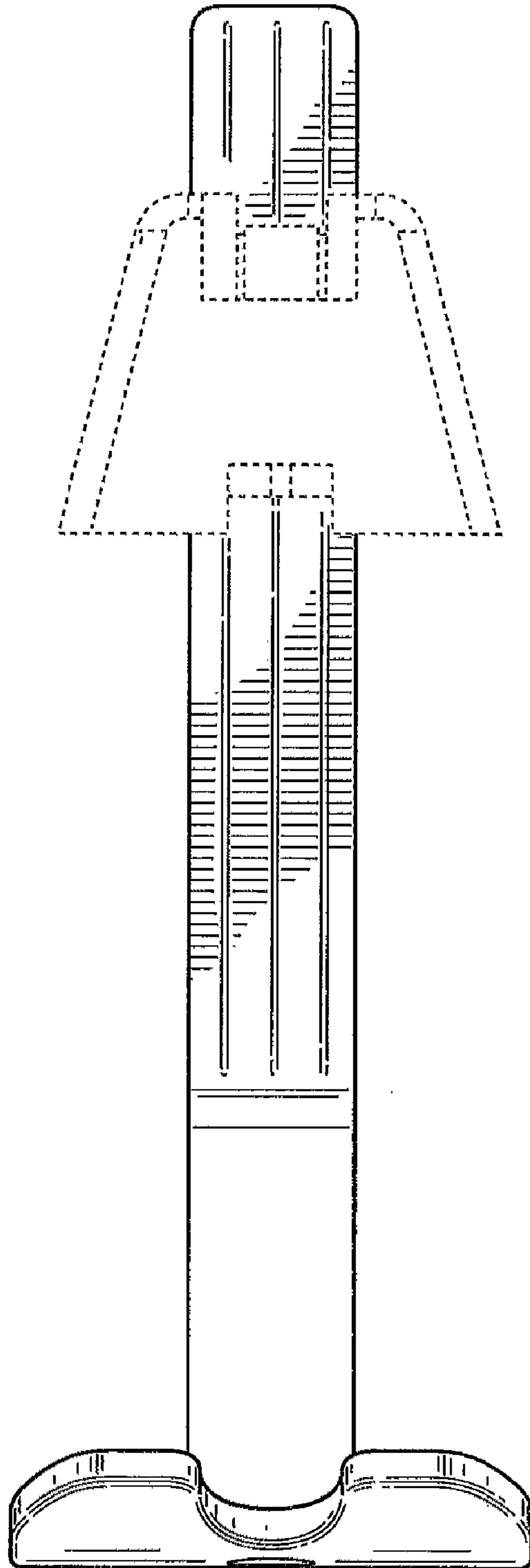


FIG. 3

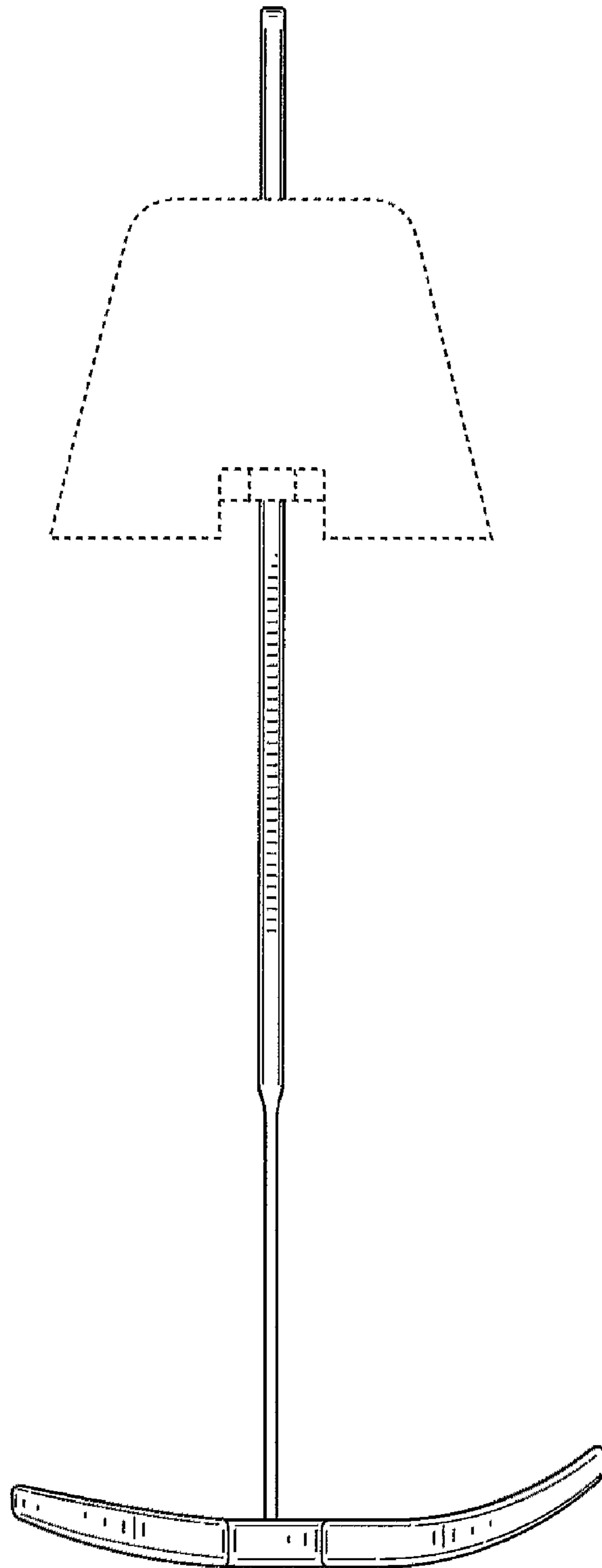


FIG. 4

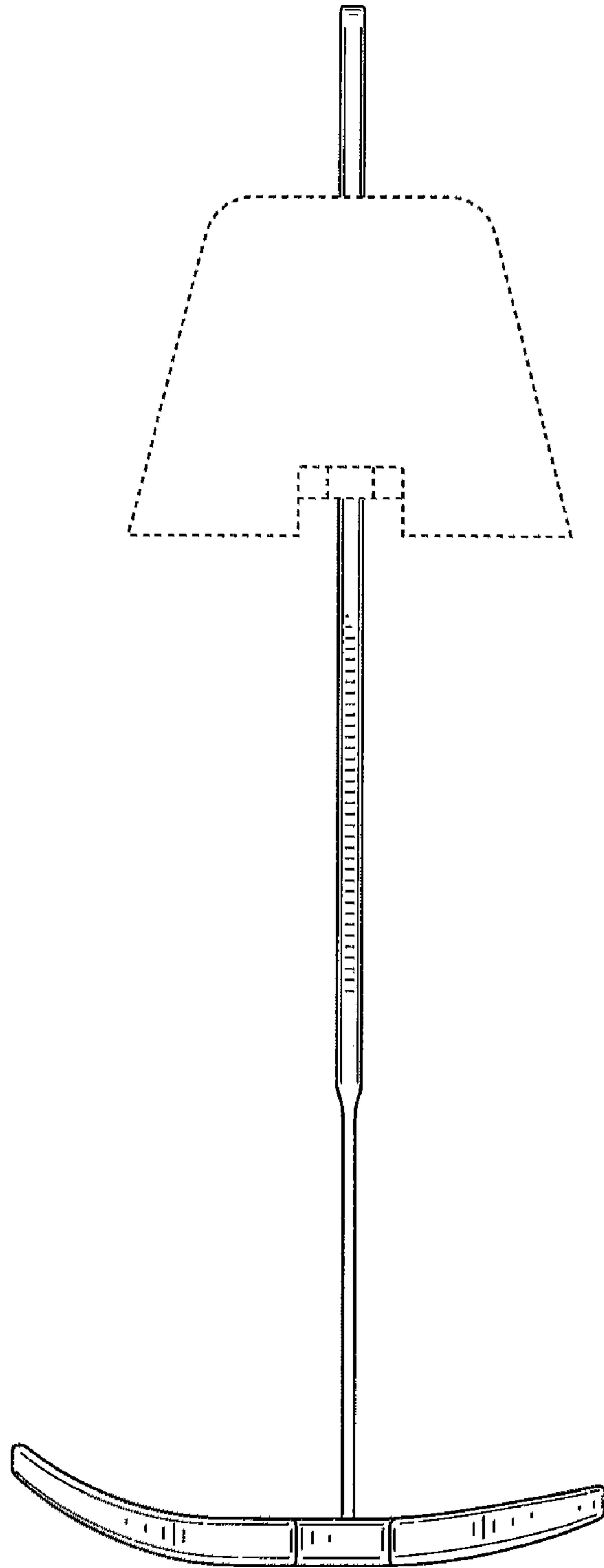


FIG. 5

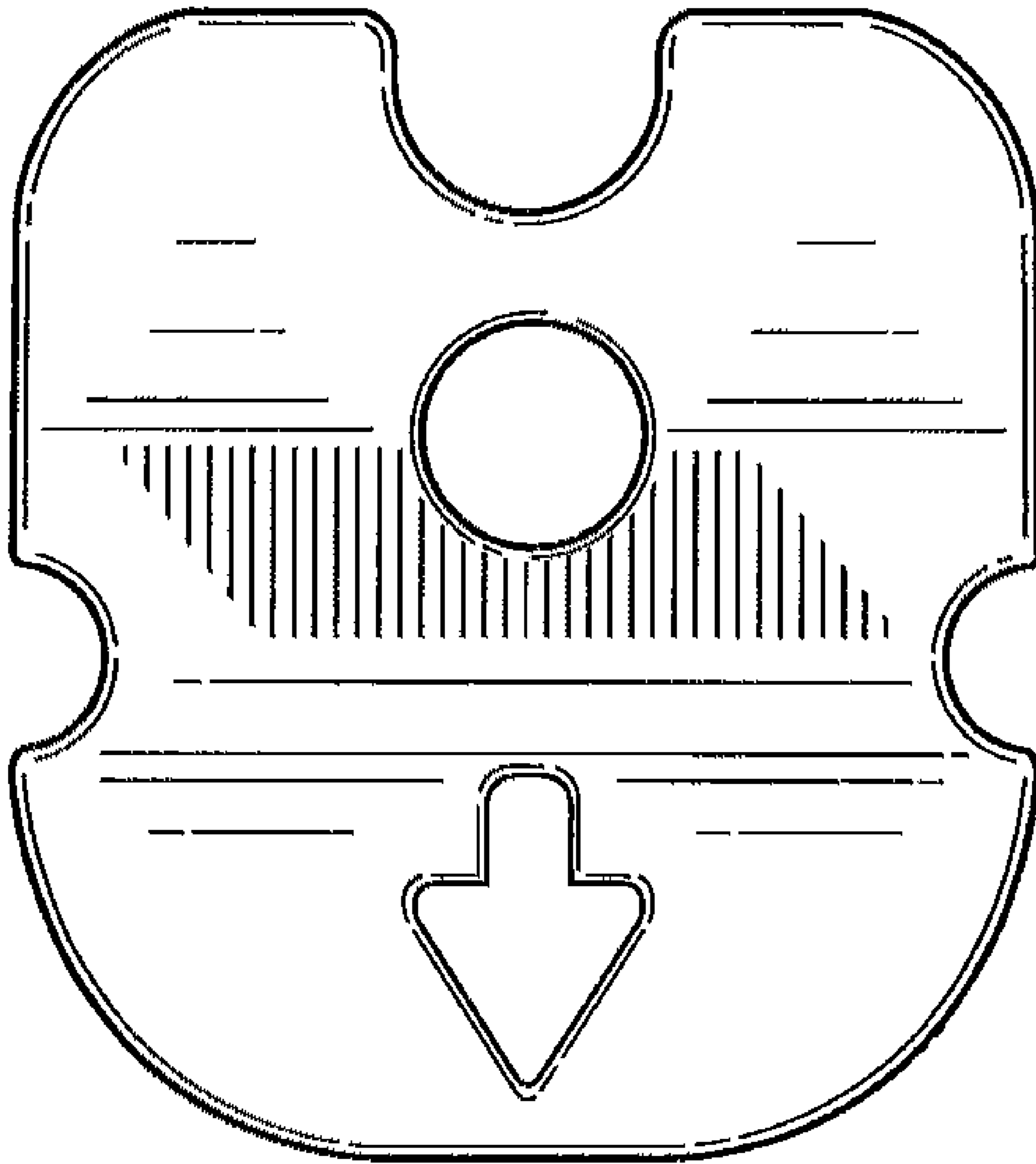


FIG. 6

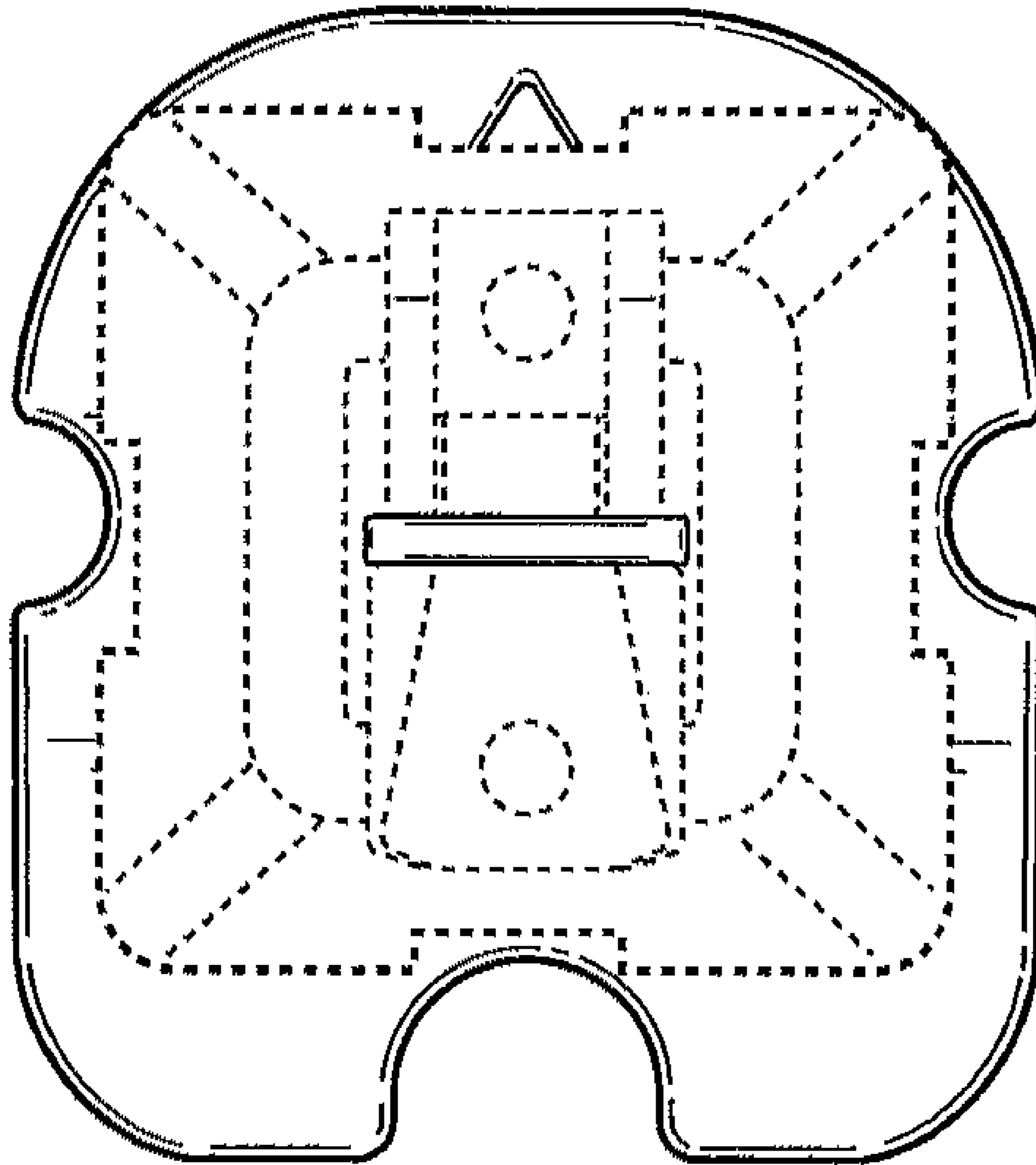


FIG. 7