



US00D658962S

(12) **United States Design Patent**  
**Green et al.**

(10) **Patent No.:** **US D658,962 S**

(45) **Date of Patent:** **\*\* May 8, 2012**

(54) **MULTI-PURPOSE UTILITY TOOL FOR HOCKEY EQUIPMENT**

(76) Inventors: **William R. Green**, Oak Park, IL (US);  
**Scott R. Strong**, Oakville (CA);  
**Michael D. Klinck**, Oakville (CA)

(\*\*) Term: **14 Years**

(21) Appl. No.: **29/340,447**

(22) Filed: **Jul. 18, 2009**

(51) **LOC (9) Cl.** ..... **08-05**

(52) **U.S. Cl.** ..... **D8/105**

(58) **Field of Classification Search** ..... D8/99,  
D8/58, 55, 356, 52, 107, 105; D19/65; 81/440,  
81/427.5, 177.4; 7/160, 138, 128, 118; 30/298.4,  
30/162, 161, 155

See application file for complete search history.

(56) **References Cited**

U.S. PATENT DOCUMENTS

D175,853	S	*	10/1955	Polk	.....	D8/99
D364,327	S	*	11/1995	Graham	.....	D8/105
D429,988	S	*	8/2000	Lau et al.	.....	D8/105
D433,915	S	*	11/2000	Elsener, Sr.	.....	D8/105
D462,002	S	*	8/2002	Jean et al.	.....	D8/105
D469,677	S	*	2/2003	Hung	.....	D8/105
D471,421	S	*	3/2003	Lang	.....	D8/105
7,059,741	B2	*	6/2006	Elsener	.....	362/119
D580,455	S	*	11/2008	Elsener	.....	D14/496

D623,039	S	*	9/2010	Seeds et al.	.....	D8/107
D630,080	S	*	1/2011	Seeds et al.	.....	D8/105
D630,924	S	*	1/2011	Steineckert et al.	.....	D8/105
D645,722	S	*	9/2011	Yamaguchi	.....	D8/105
D648,203	S	*	11/2011	Avery et al.	.....	D8/105
2004/0003472	A1	*	1/2004	Dallas et al.	.....	7/128
2006/0096035	A1	*	5/2006	Ocklenburg	.....	7/155
2011/0010866	A1	*	1/2011	Green et al.	.....	7/118

\* cited by examiner

*Primary Examiner* — Austin Murphy

(74) *Attorney, Agent, or Firm* — Gordon Thomson

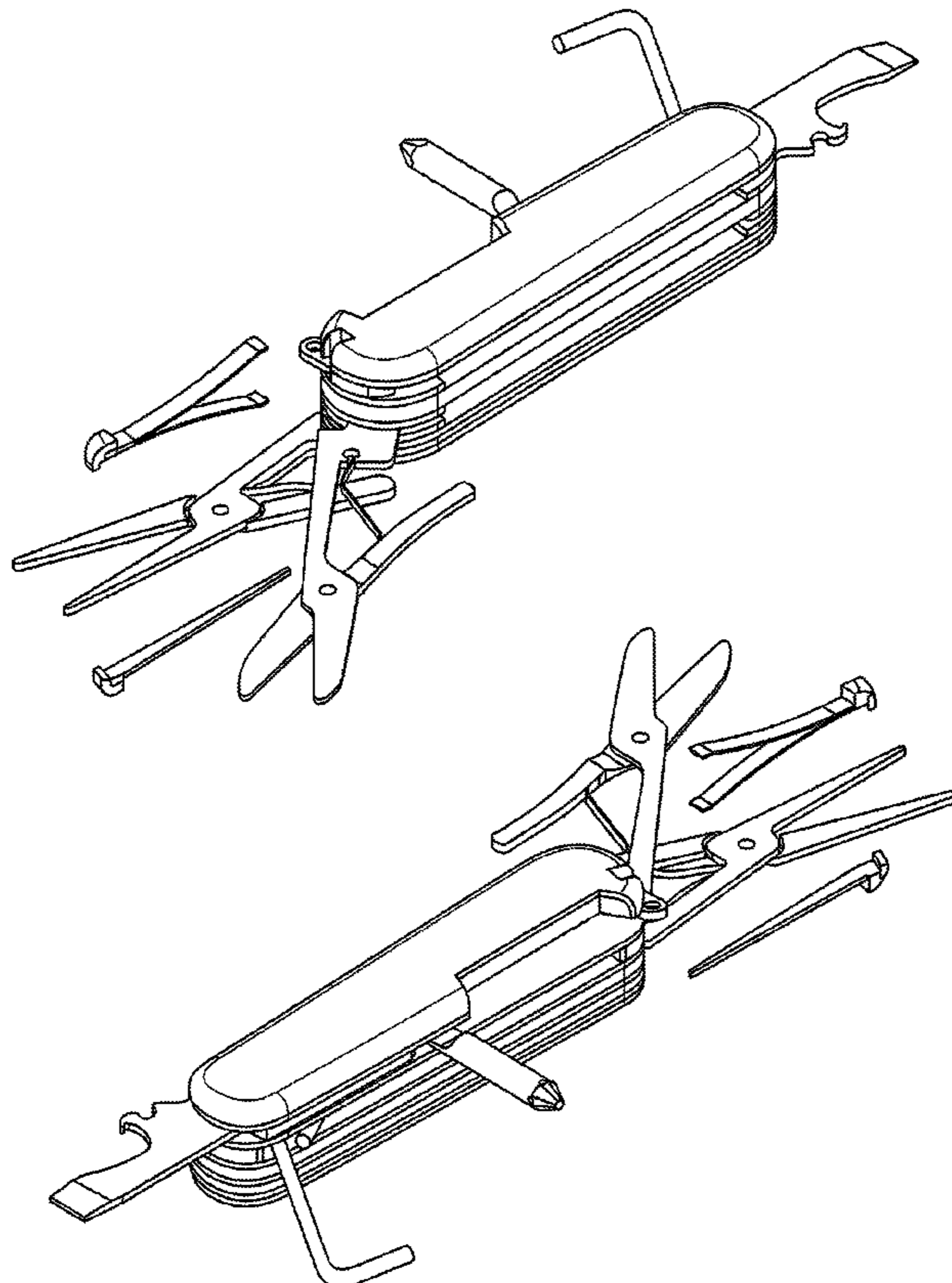
(57) **CLAIM**

We claim the ornamental design for the multi-purpose utility tool for hockey equipment, as shown and described.

**DESCRIPTION**

FIG. 1 is a top view of a multi-purpose utility tool for hockey equipment according to our design;  
FIG. 2 is a rear view of our design;  
FIG. 3 is a right side view of our design;  
FIG. 4 is a front view of our design;  
FIG. 5 is a bottom view of our design;  
FIG. 6 is a left side view of our design;  
FIG. 7 is a top-right perspective view of our design;  
FIG. 8 is a top-left perspective view of our design;  
FIG. 9 is a top-left perspective view thereof, with the tool elements shown in a deployed position of use; and,  
FIG. 10 is a top-right perspective view thereof, with the tool elements shown in a deployed position of use.

**1 Claim, 4 Drawing Sheets**



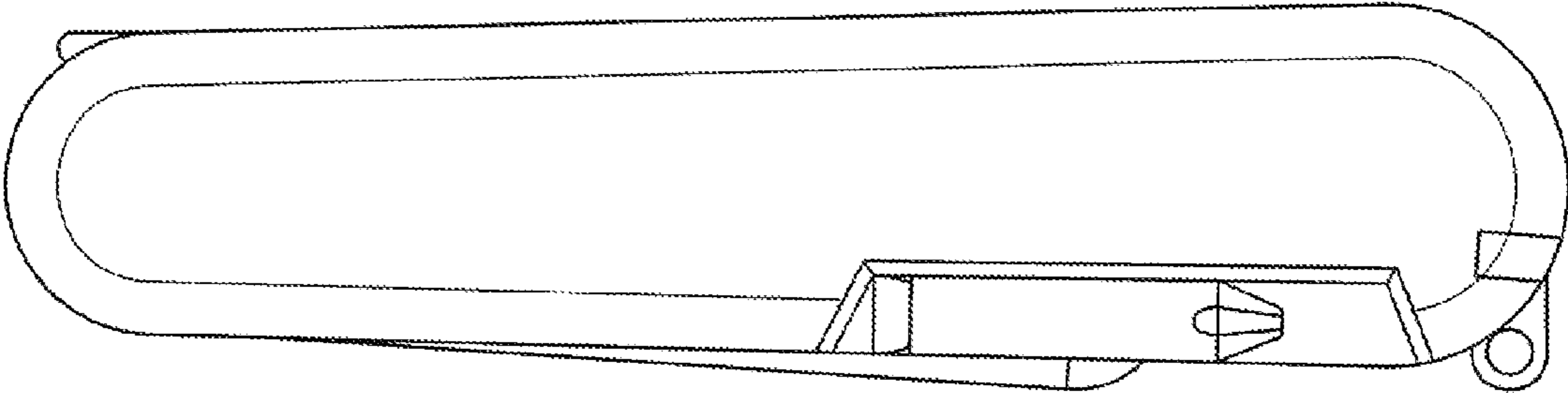


FIG. 1

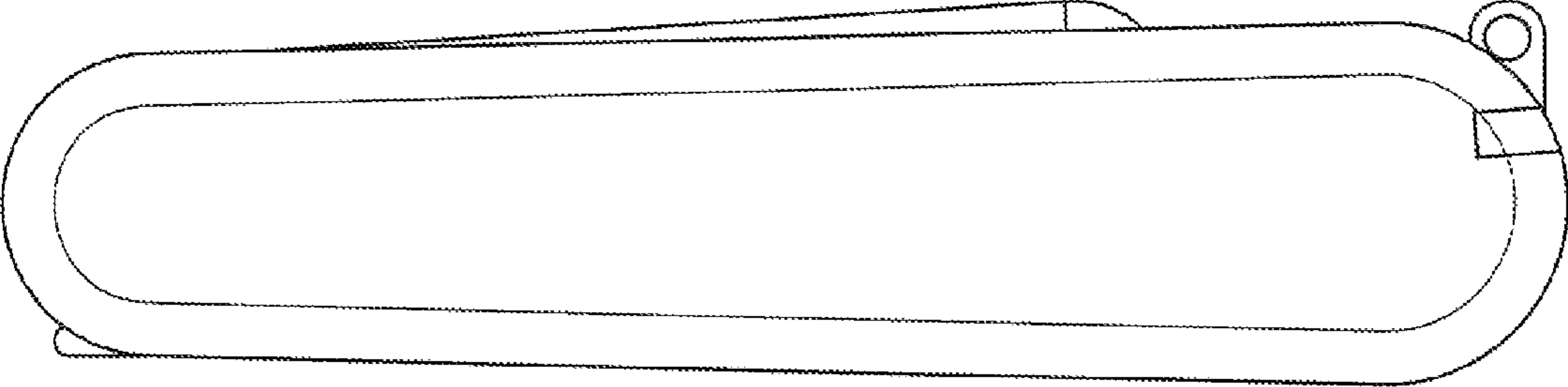


FIG. 5

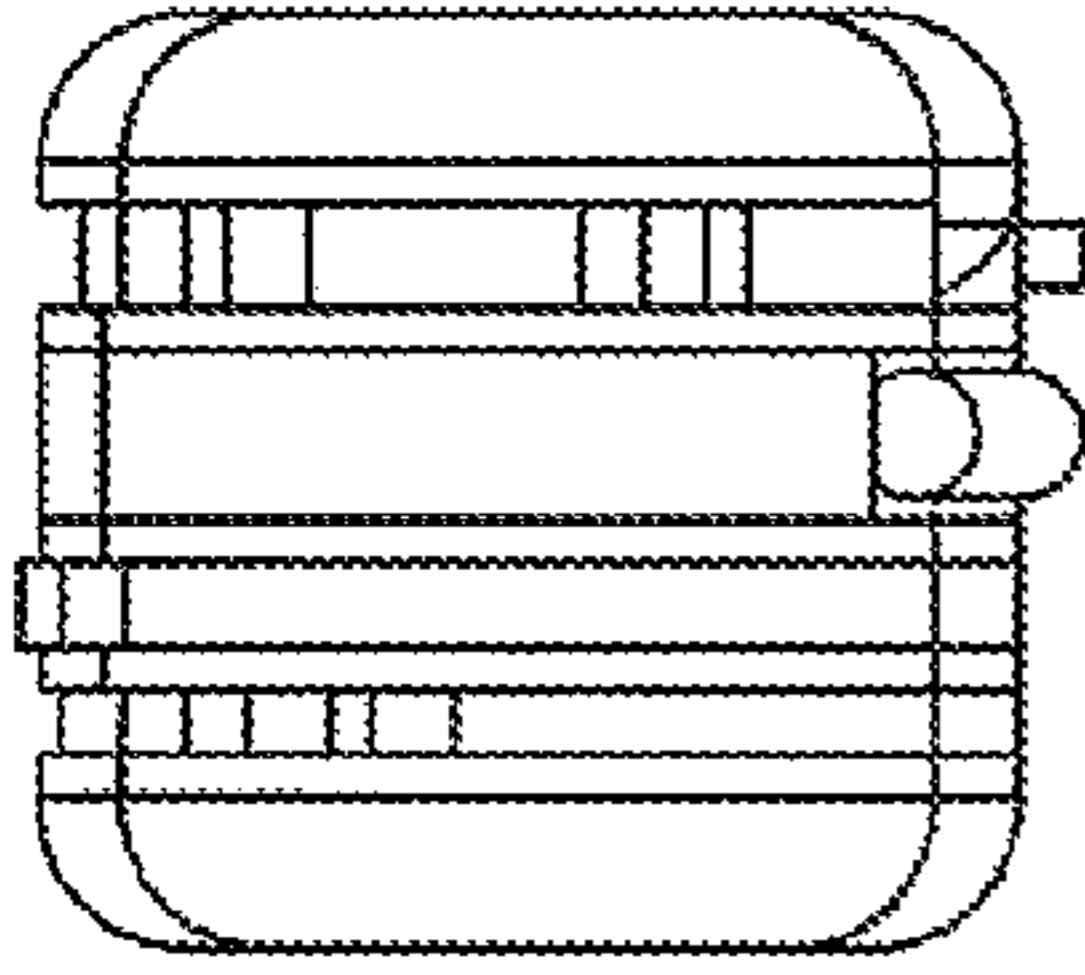


FIG. 2

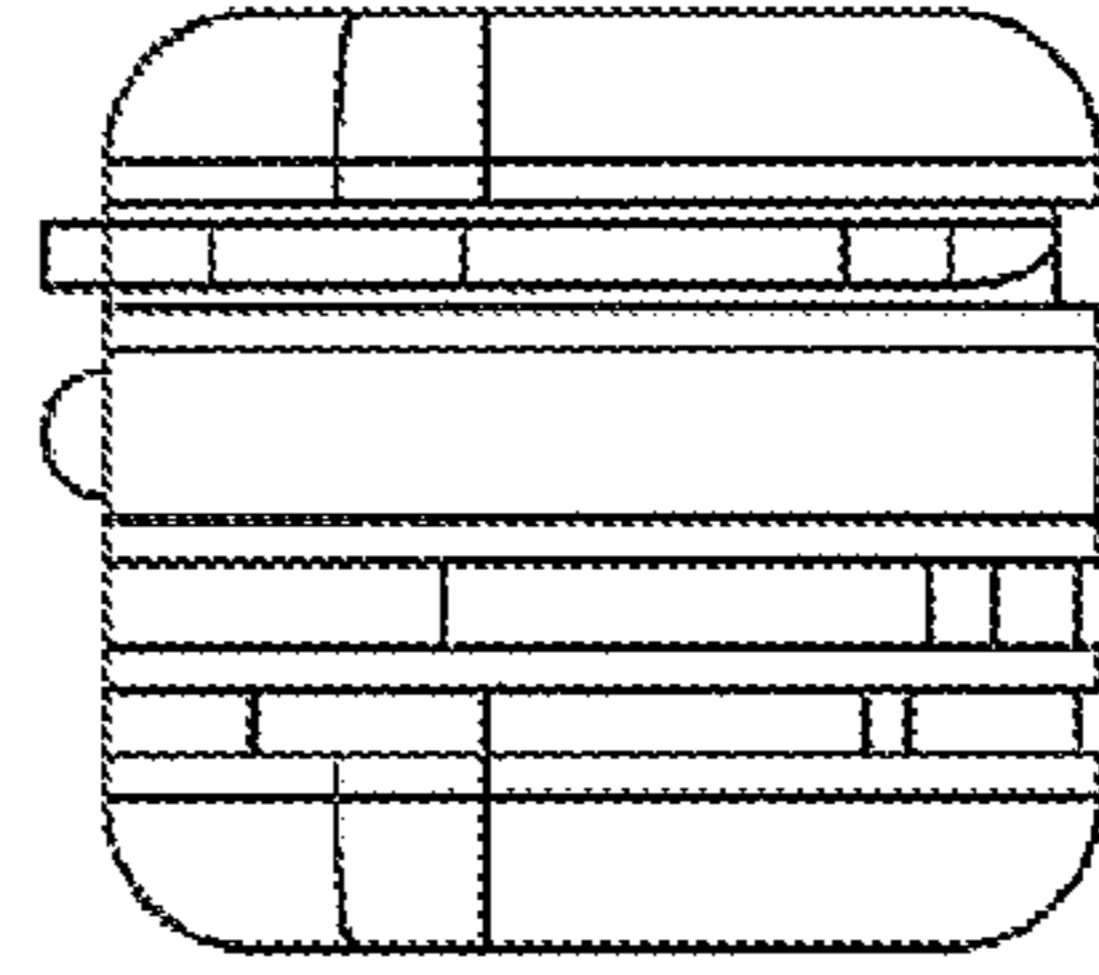


FIG. 4

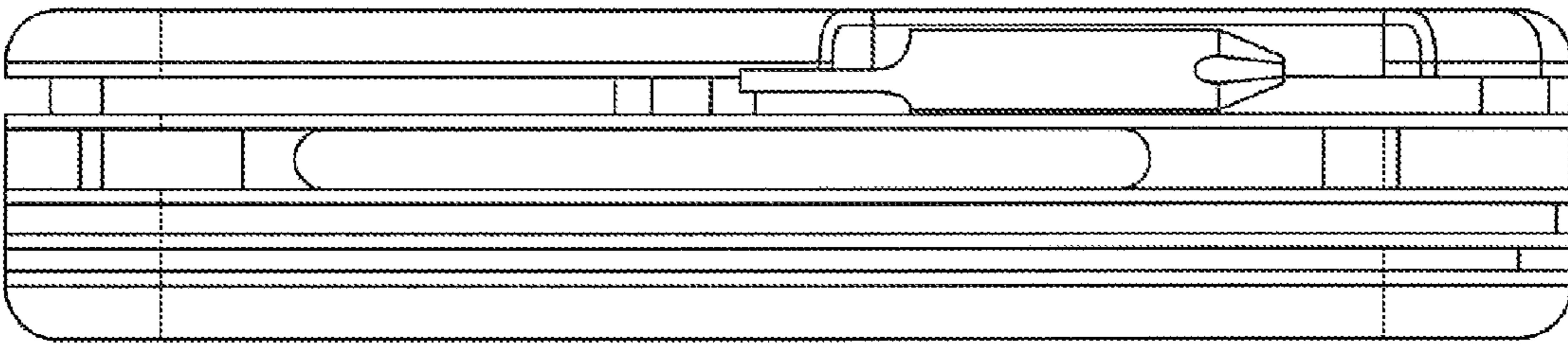


FIG. 3

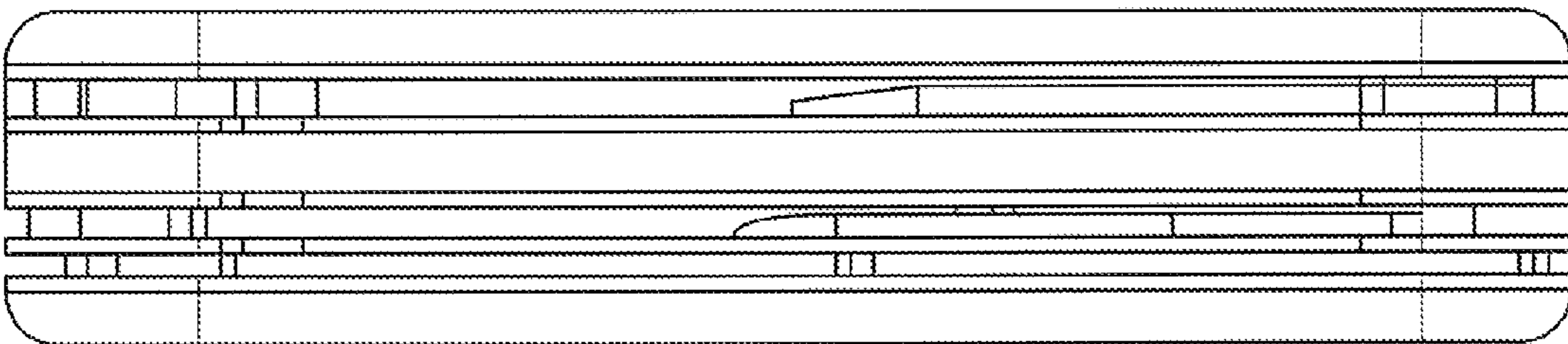


FIG. 6

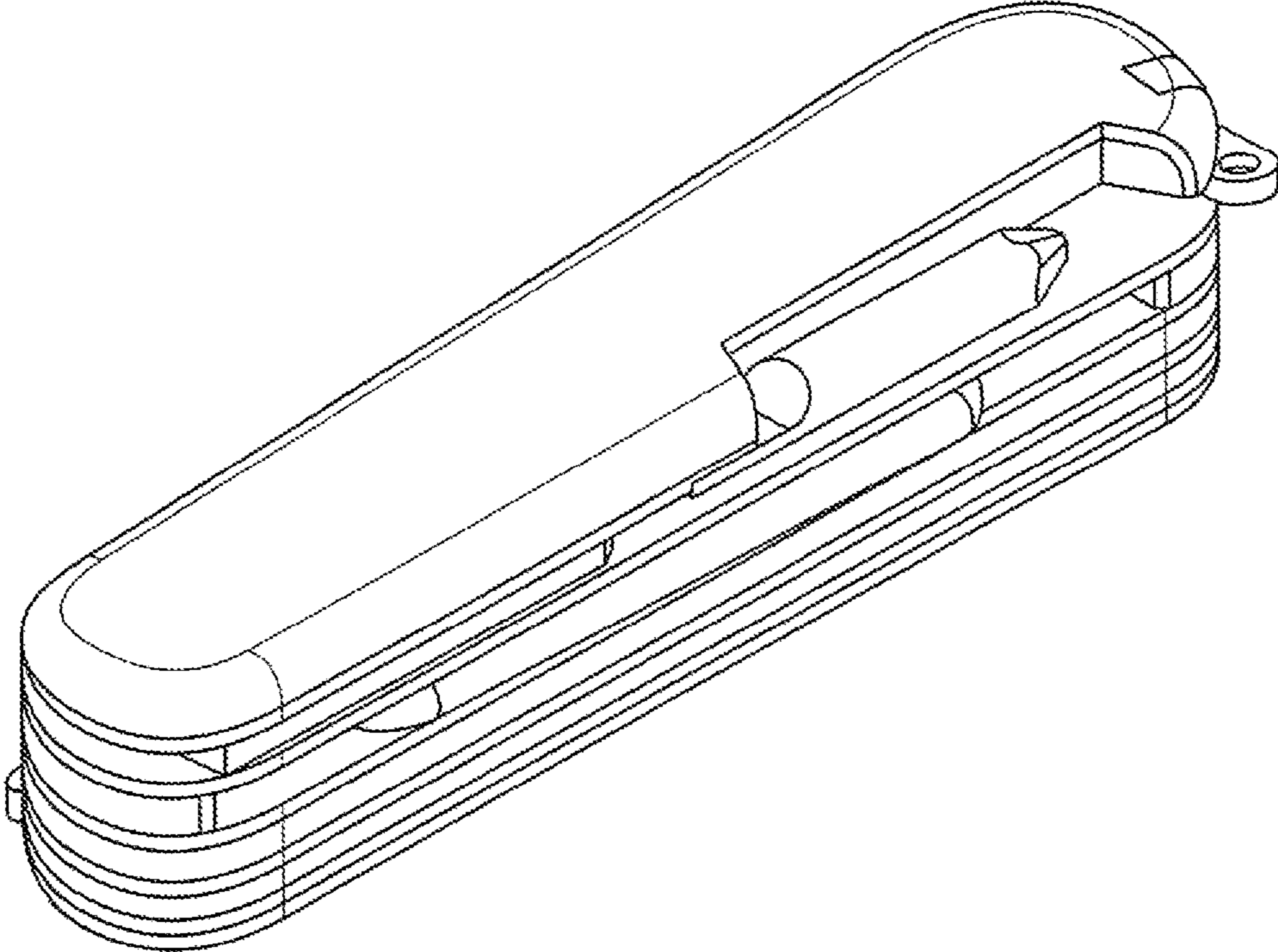


FIG. 7

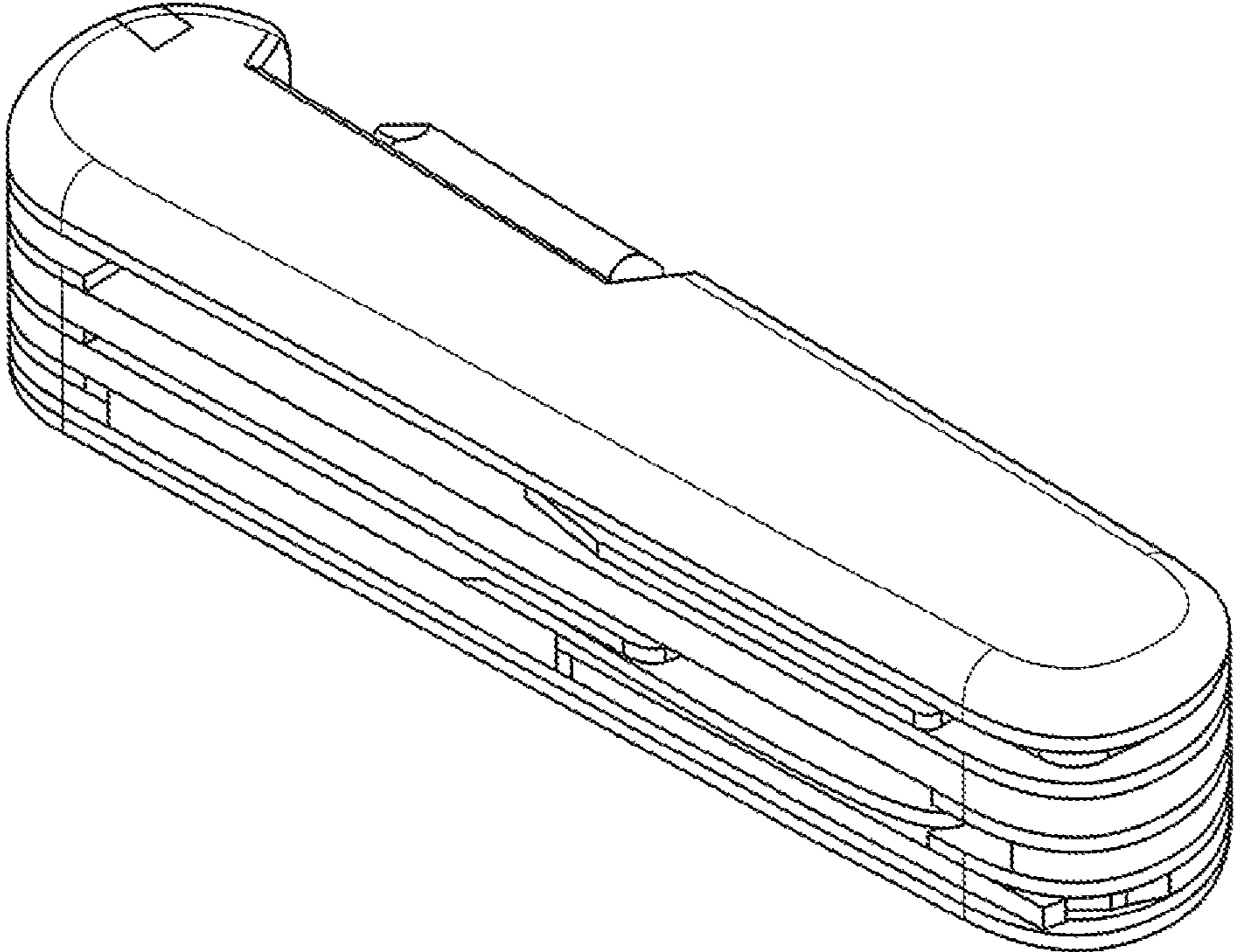


FIG. 8

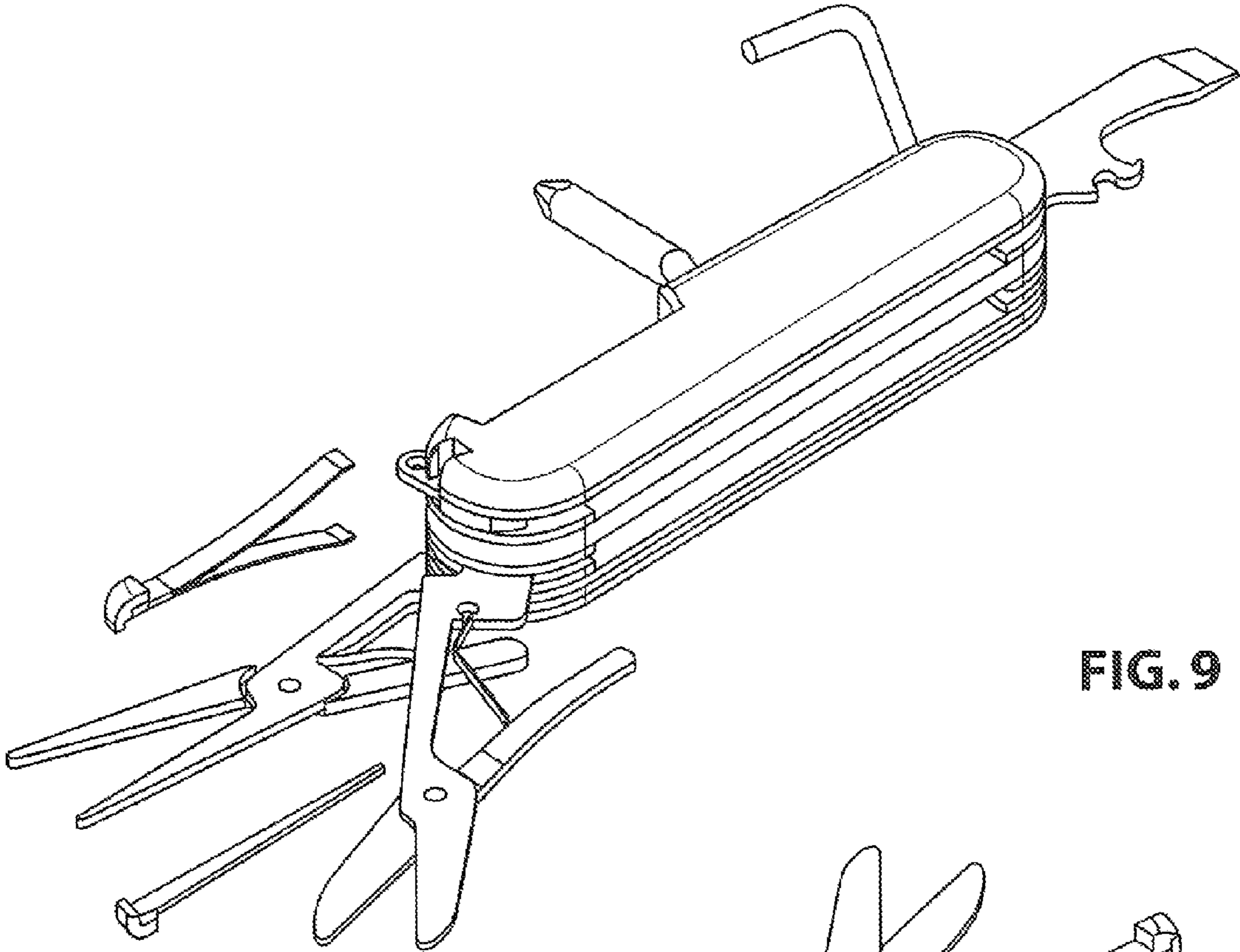


FIG. 9

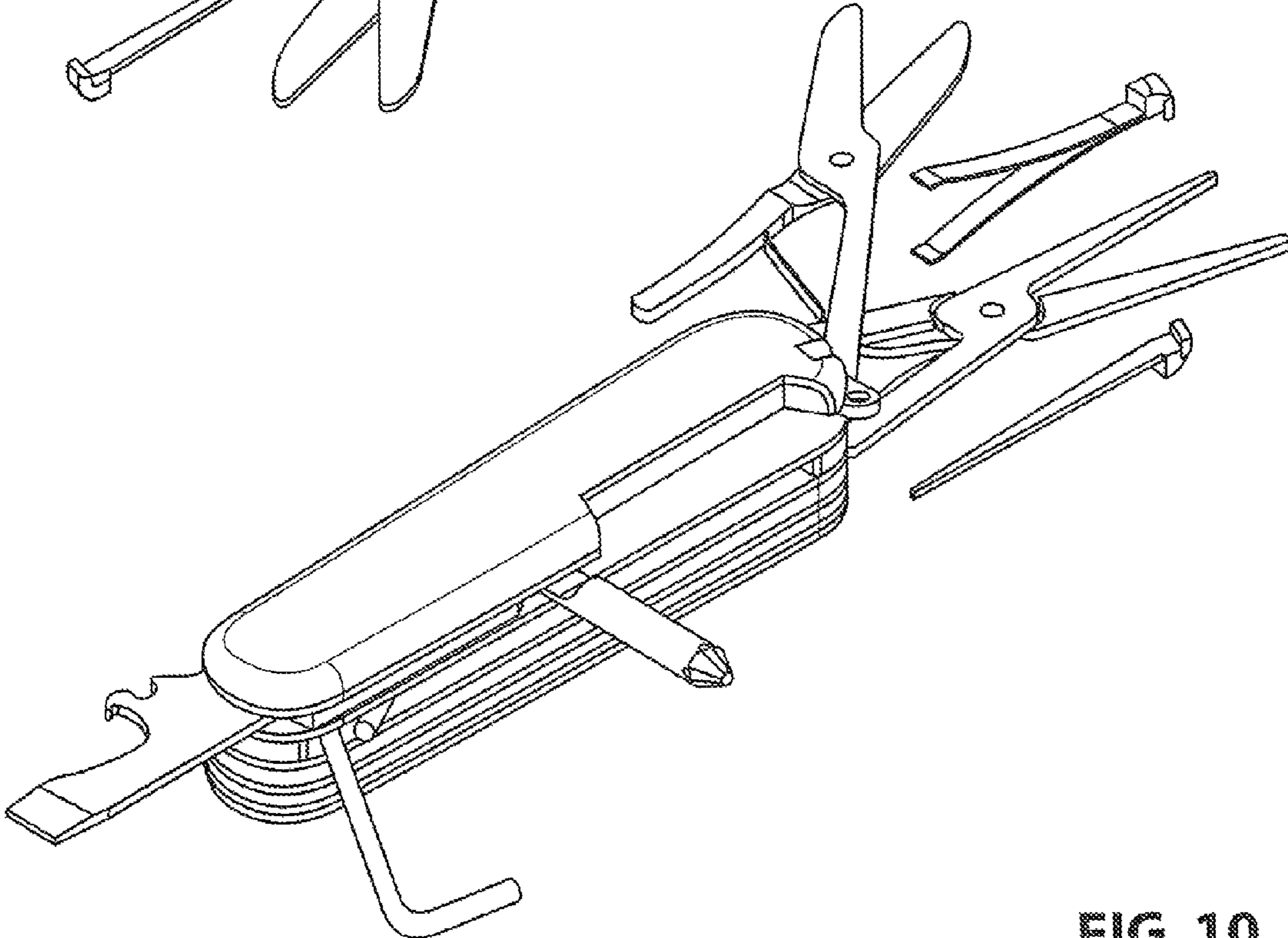


FIG. 10