



US00D658959S

(12) **United States Design Patent**
Landberg

(10) **Patent No.:** **US D658,959 S**

(45) **Date of Patent:** **** May 8, 2012**

(54) **CHAINSAW**

(75) Inventor: **Gustav Landberg**, Stockholm (SE)

(73) Assignee: **Husqvarna AB**, Huskvarna (SE)

(**) Term: **14 Years**

(21) Appl. No.: **29/407,393**

(22) Filed: **Nov. 29, 2011**

(30) **Foreign Application Priority Data**

May 31, 2011 (EM) 001870882

(51) **LOC (9) Cl.** **08-03**

(52) **U.S. Cl.** **D8/65**

(58) **Field of Classification Search** D8/65,
D8/7, 8, 9, 70, 66, 67, 62, 63, 64, 61, 91;
30/386, 383, 382, 371, 123, 381; 125/21;
D21/532; 83/832, 833, 834; 123/185.3
See application file for complete search history.

(56) **References Cited**

U.S. PATENT DOCUMENTS

D364,326	S	*	11/1995	Lohse et al.	D8/65
D377,441	S	*	1/1997	Hoppner et al.	D8/65
5,992,025	A	*	11/1999	Fricke	30/381
D549,537	S	*	8/2007	Harada et al.	D8/65
D563,747	S	*	3/2008	Tinius	D8/65
D573,860	S	*	7/2008	Shimokawa et al.	D8/65
D576,005	S	*	9/2008	Shimokawa et al.	D8/65
D577,557	S	*	9/2008	Shimokawa et al.	D8/65

D580,724	S	*	11/2008	Tinius	D8/65
D606,829	S	*	12/2009	Tinius	D8/65
D607,292	S	*	1/2010	Tinius	D8/65
D607,293	S	*	1/2010	Tinius	D8/65
D615,836	S	*	5/2010	Kosugi et al.	D8/65
D633,353	S	*	3/2011	Tinius	D8/65
D633,766	S	*	3/2011	Tinius	D8/65
D636,652	S	*	4/2011	Mehra	D8/65

* cited by examiner

Primary Examiner — Austin Murphy

(74) *Attorney, Agent, or Firm* — Nelson Mullins Riley & Scarborough LLP

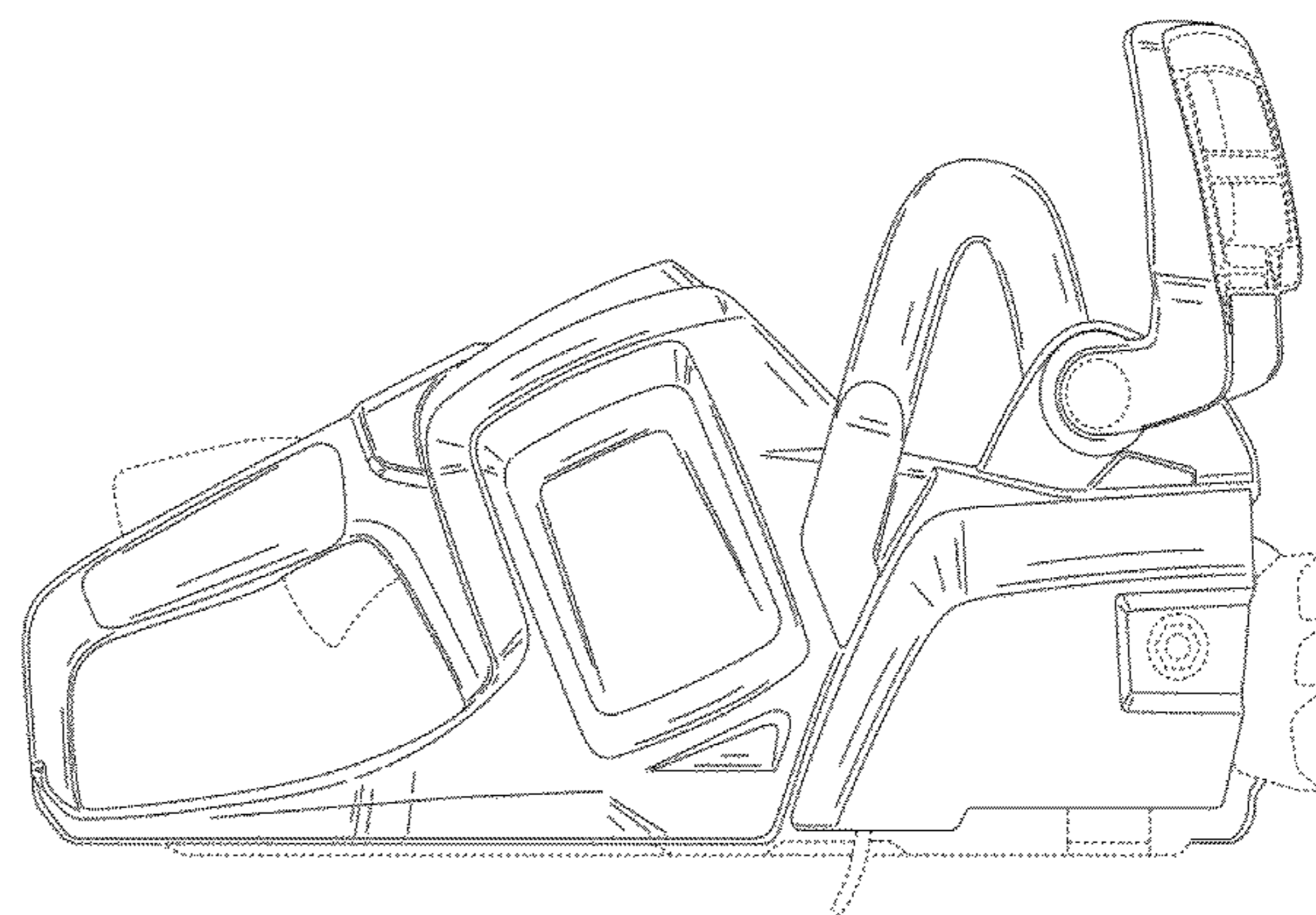
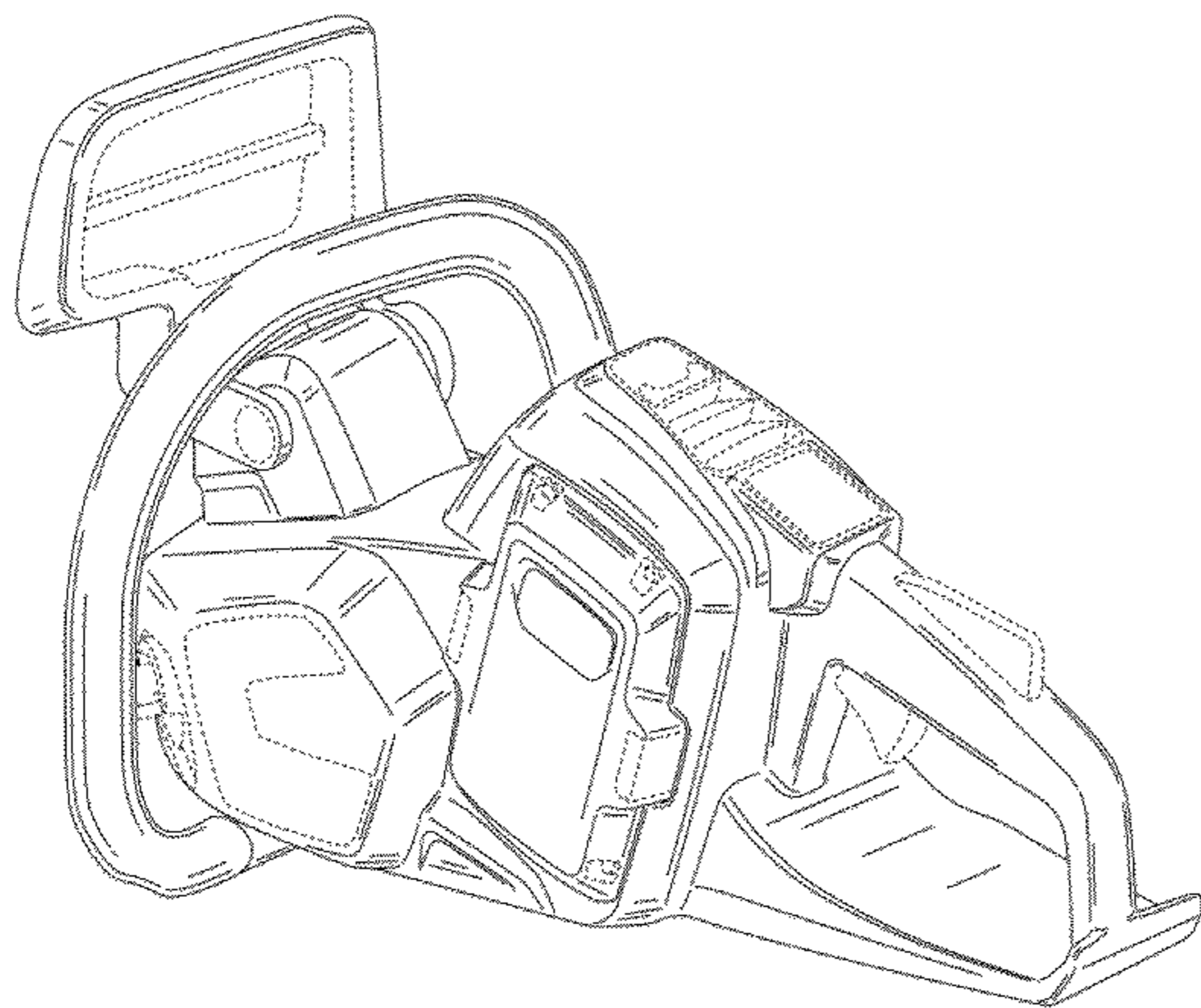
(57) **CLAIM**

The ornamental design for a chainsaw, as shown and described.

DESCRIPTION

FIG. 1 is a top perspective view of a chainsaw in accordance with an embodiment of the present invention; FIG. 2 is a front view of the chainsaw of FIG. 1; FIG. 3 is a back view of the chainsaw of FIG. 1; FIG. 4 is a left side view of the chainsaw of FIG. 1; FIG. 5 is a right side view of the chainsaw of FIG. 1; FIG. 6 is a top view of the chainsaw of FIG. 1; and, FIG. 7 is a bottom view of the chainsaw of FIG. 1. The broken lines shown in the drawings represent unclaimed portions of the chainsaw and form no part of the claimed design.

1 Claim, 7 Drawing Sheets



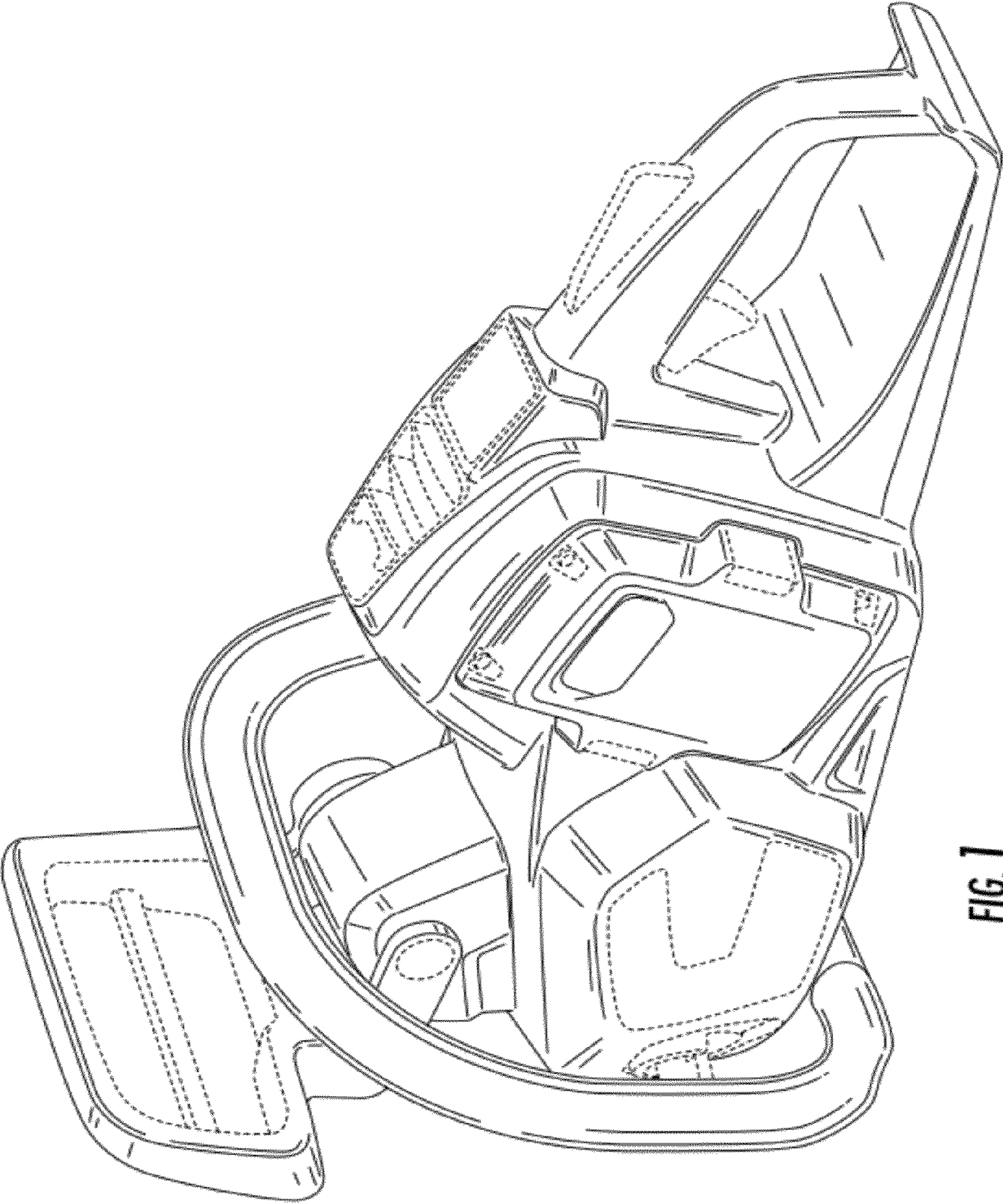


FIG. 1

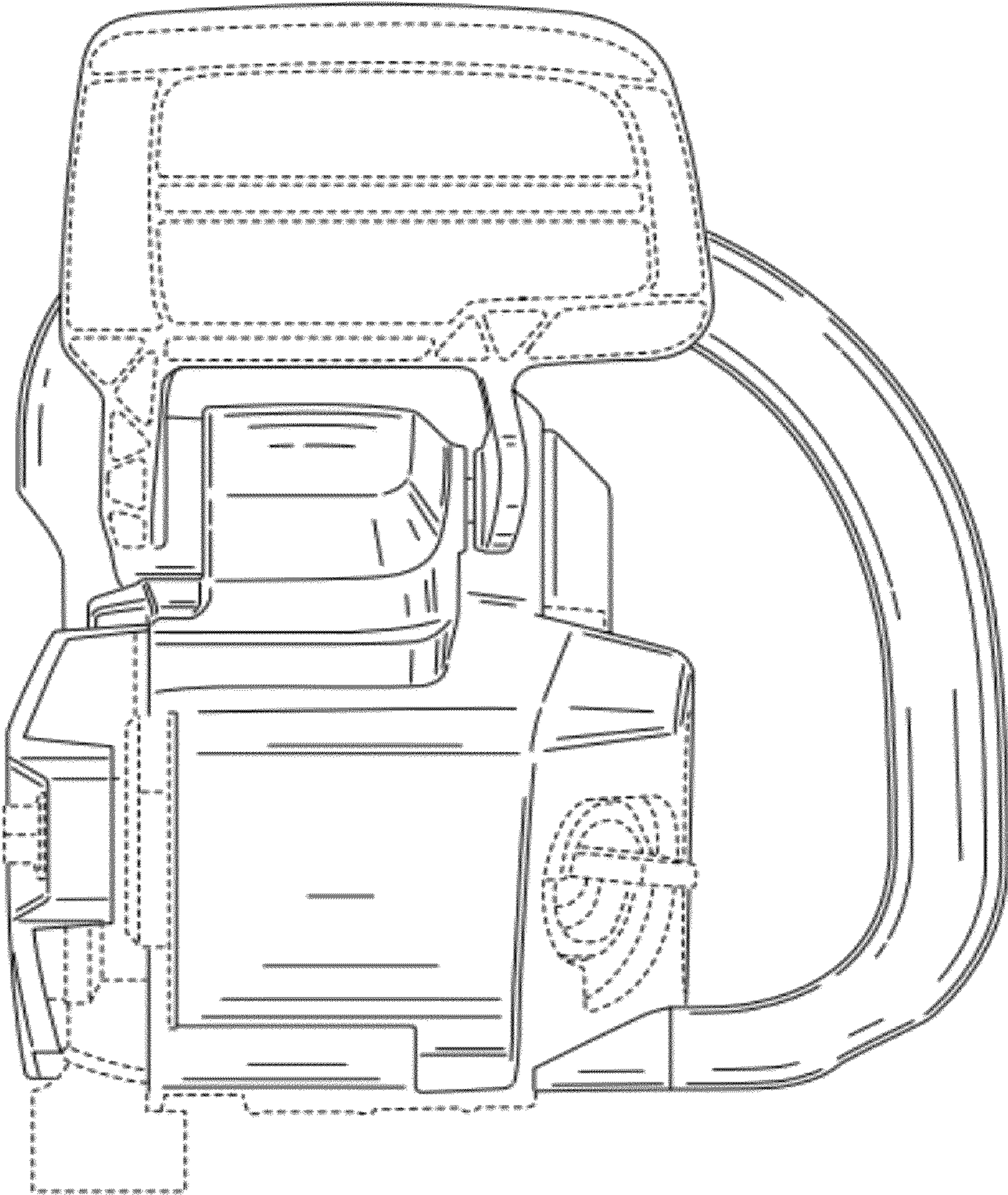


FIG. 2

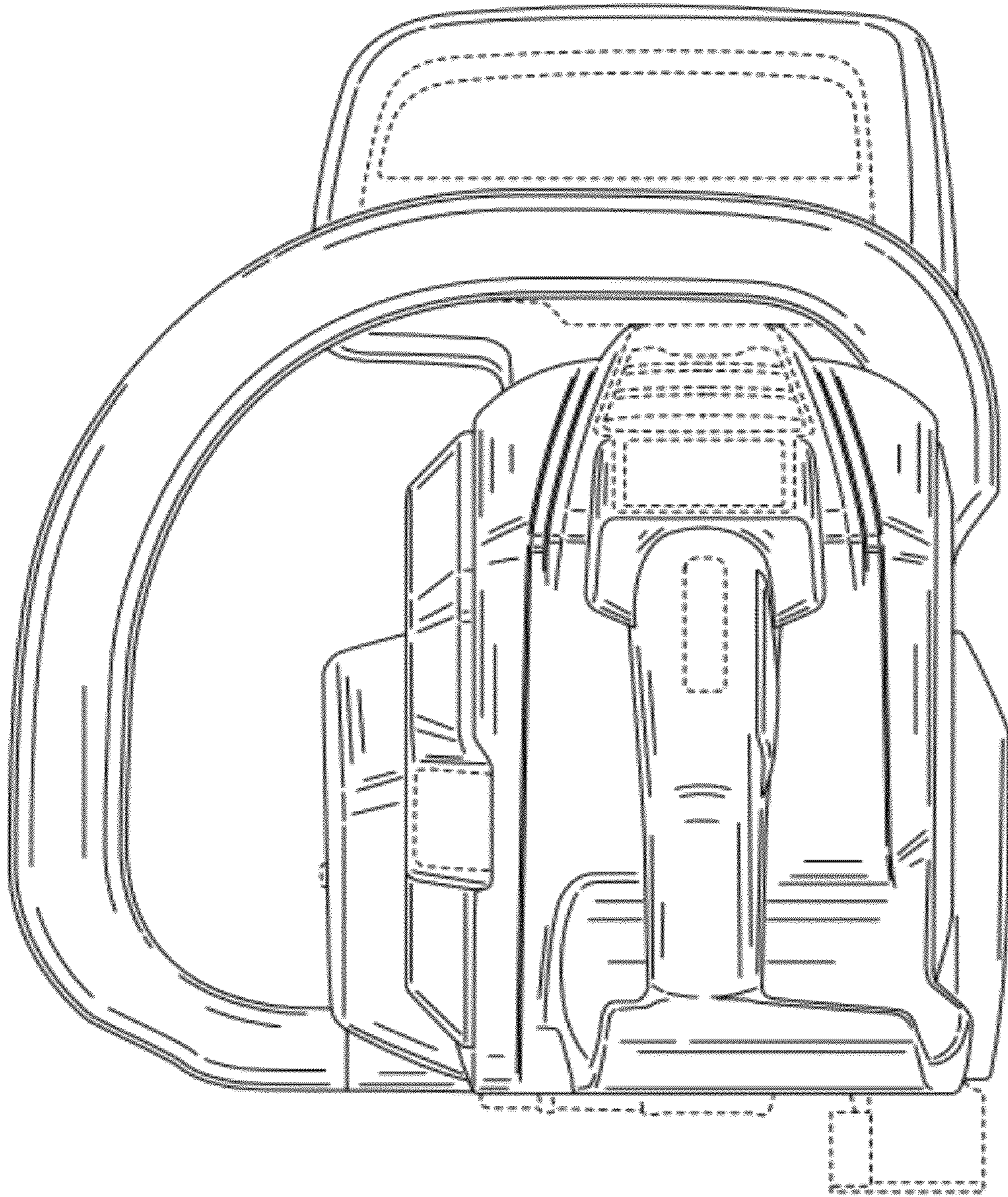


FIG. 3

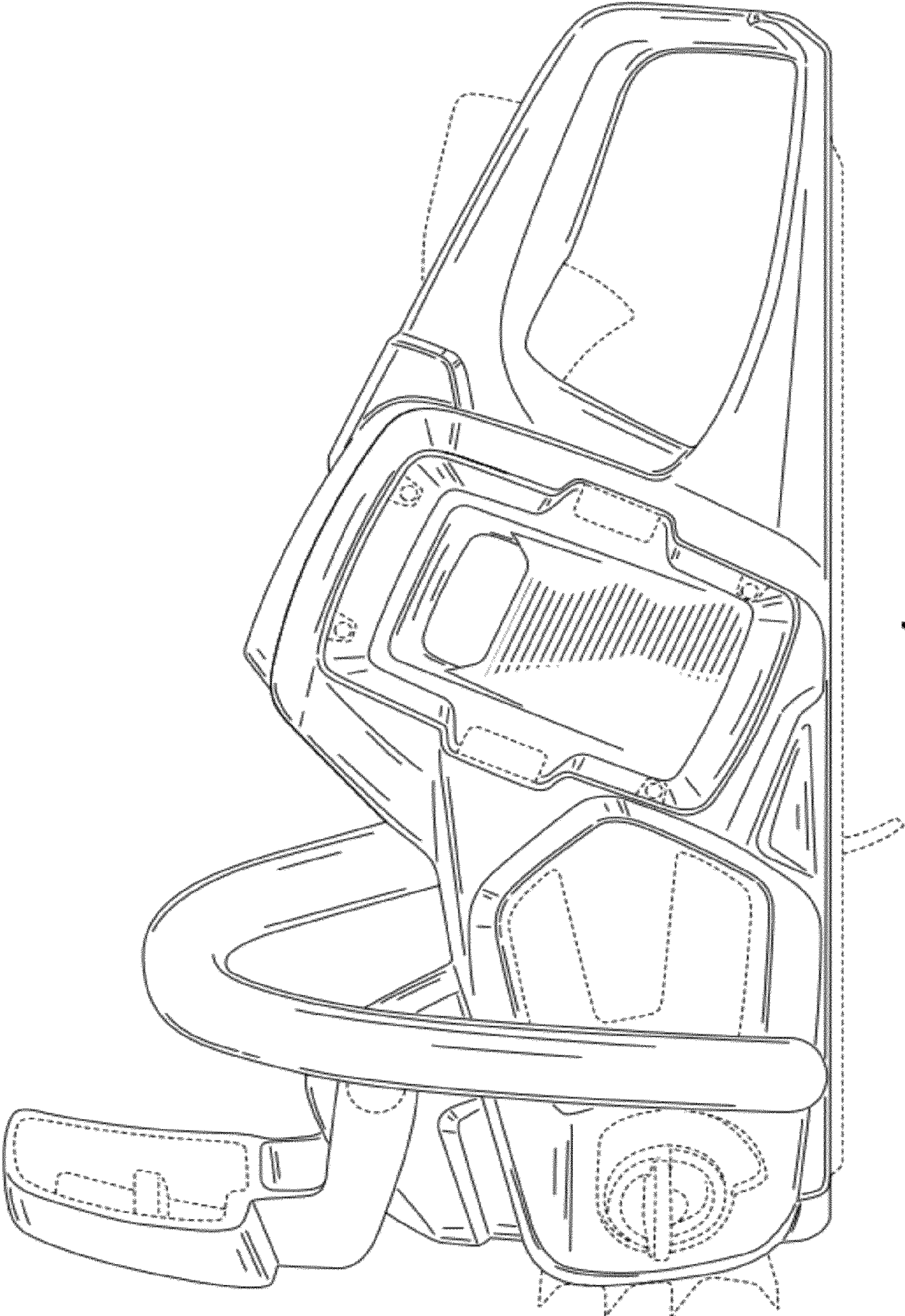


FIG. 4

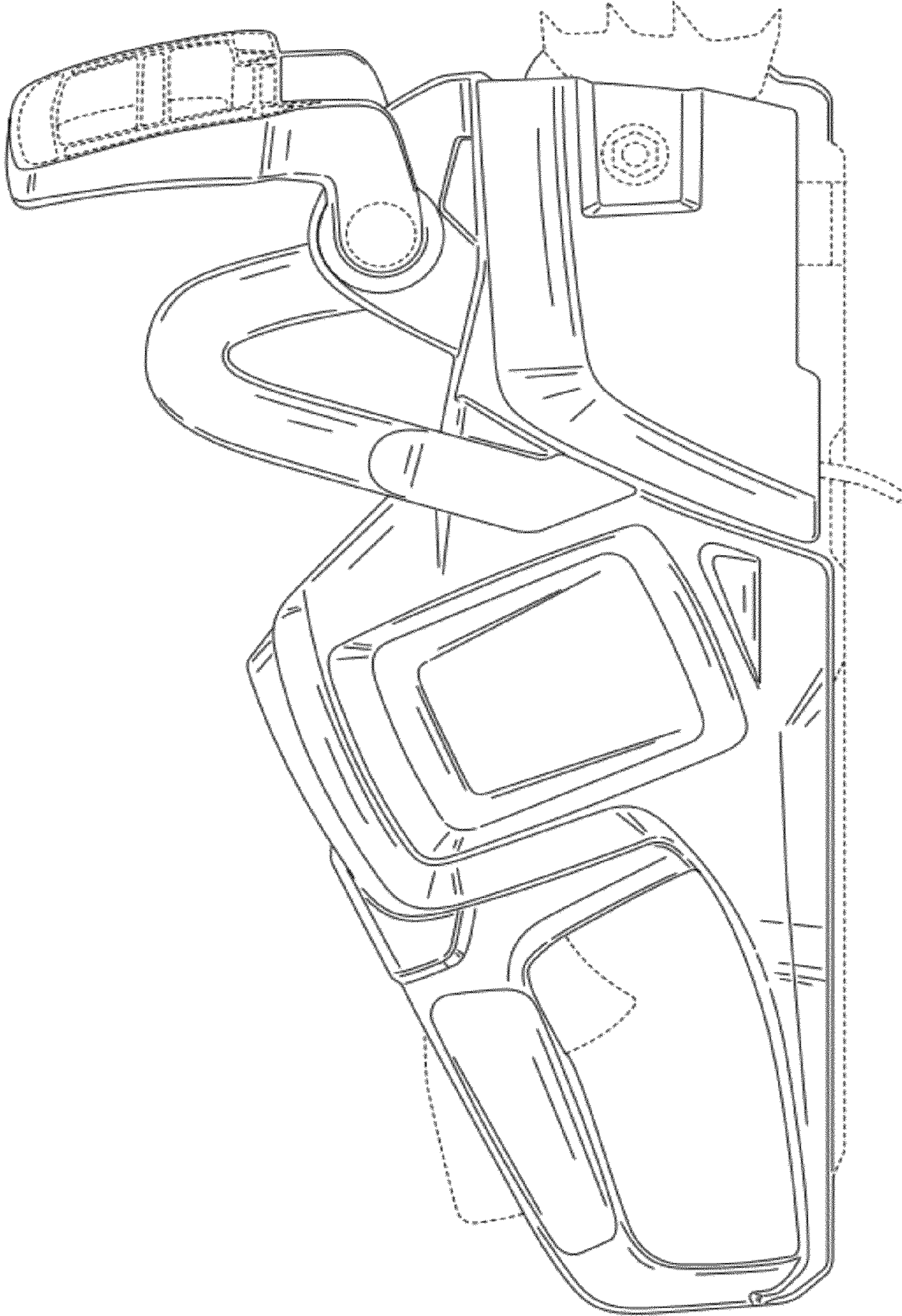


FIG. 5

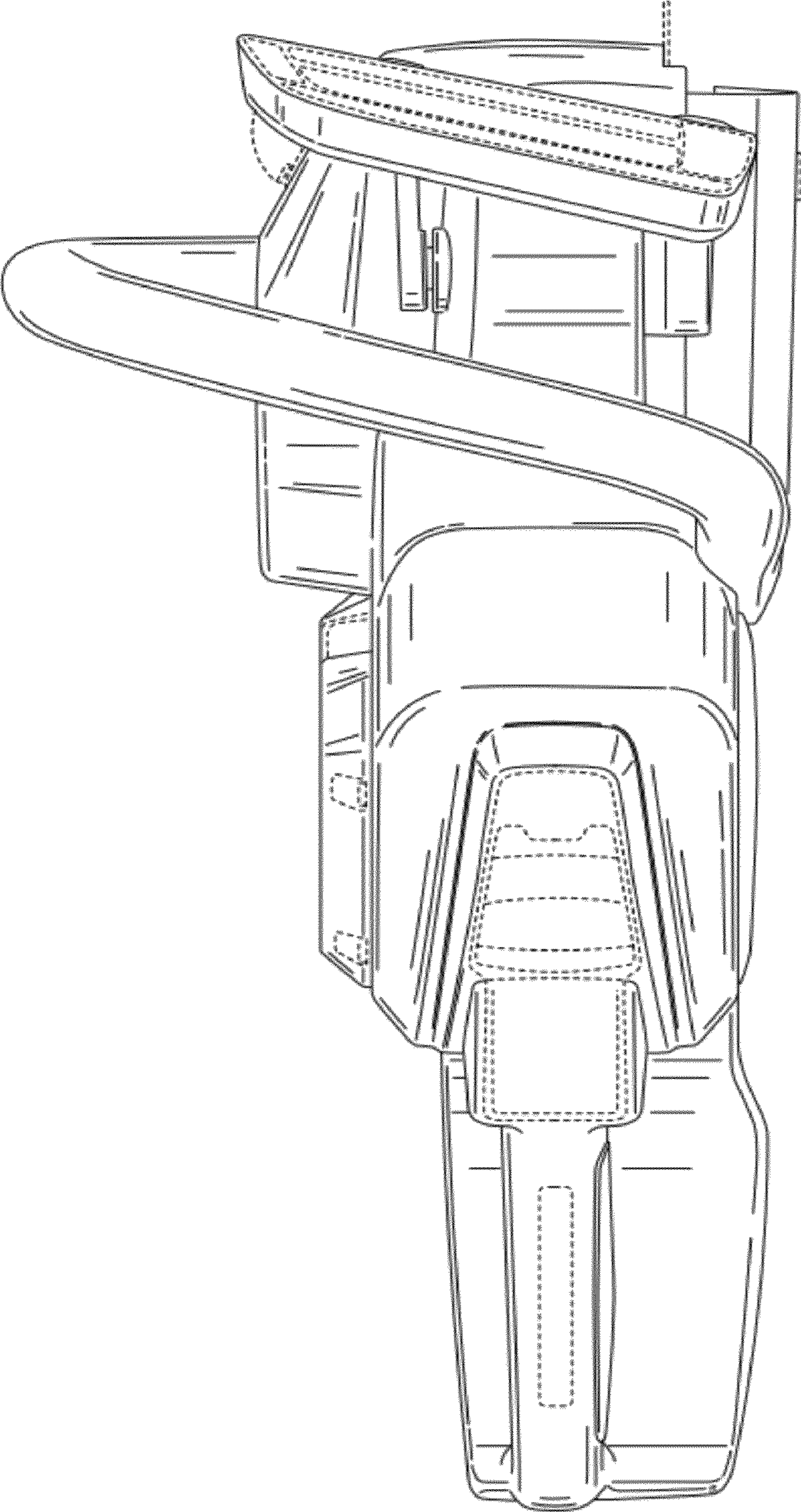


FIG. 6

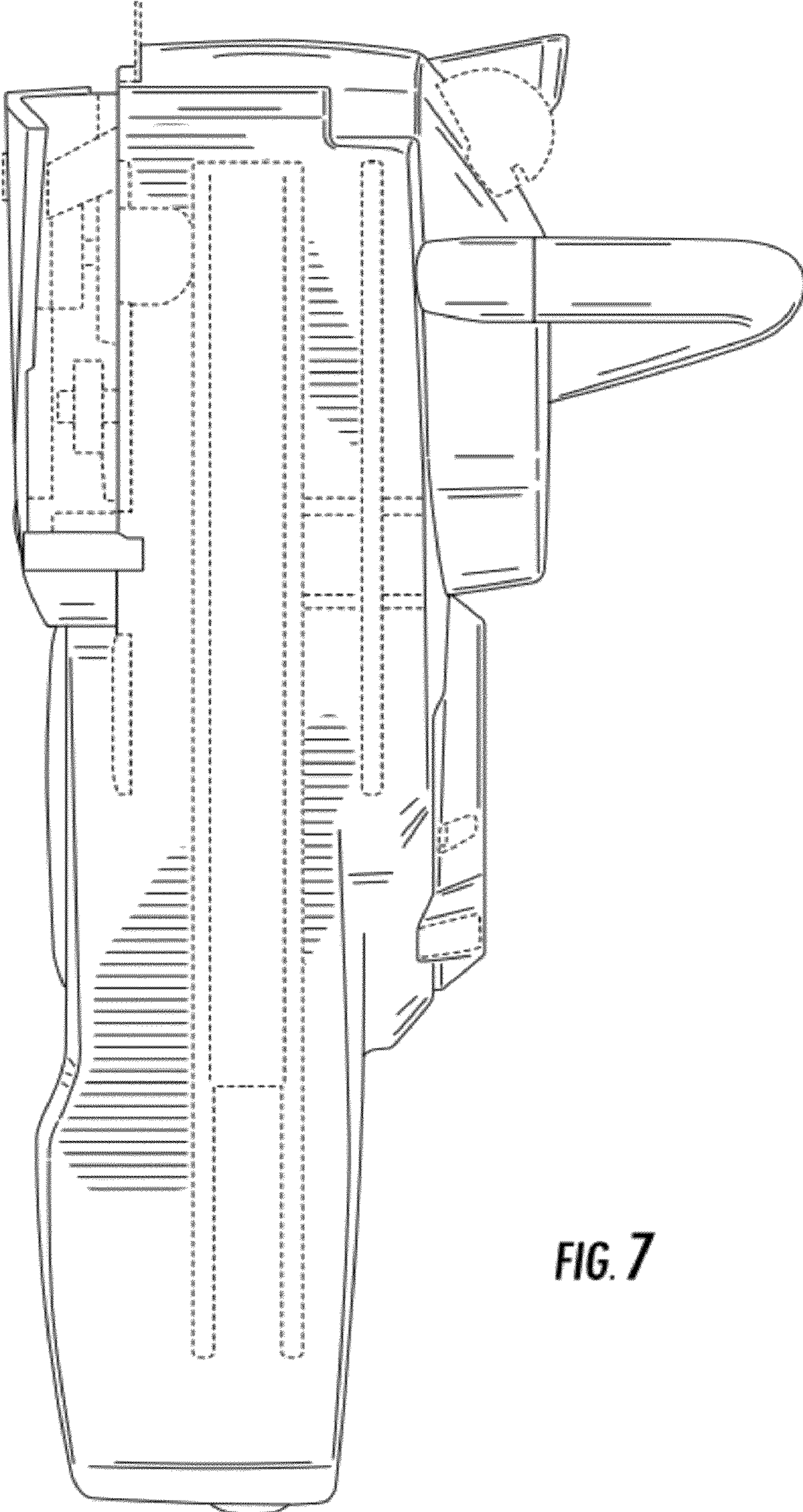


FIG. 7