



US00D658958S

(12) **United States Design Patent**
Pagliari

(10) **Patent No.:** **US D658,958 S**
(45) **Date of Patent:** **** May 8, 2012**

(54) **OFFSET PLIERS**

(76) Inventor: **Marin Pagliari**, Sacramento, CA (US)

(**) Term: **14 Years**

(21) Appl. No.: **29/373,552**

(22) Filed: **Apr. 26, 2011**

(51) **LOC (9) Cl.** **08-05**

(52) **U.S. Cl.** **D8/52**

(58) **Field of Classification Search** D8/99,
D8/98, 93, 63, 61, 58, 57, 56, 55, 53, 5, 107,
D8/104, 105, 52, 51, 29.1; D24/148, 149;
D21/532; 7/106, 107; 81/427.5, 9.44, 9.43;
30/90.1, 90.6

See application file for complete search history.

(56) **References Cited**

U.S. PATENT DOCUMENTS

181,175 A * 8/1876 Huntoon 81/6
1,304,720 A * 5/1919 Young et al. 433/4

(Continued)

Primary Examiner — Austin Murphy

(74) *Attorney, Agent, or Firm* — Mark C. Jacobs

(57) **CLAIM**

The ornamental design for offset pliers, as shown and described.

DESCRIPTION

FIG. 1 is a perspective view of the first embodiment of the offset pliers of this design.

FIG. 2 is a front view of the first embodiment.

FIG. 3 is a rear view of the first embodiment of the pliers of this design.

FIG. 4 is a left side elevational view of the first embodiment of the offset pliers.

FIG. 5 is a top view of the first embodiment, with the bottom view being a mirror image of the top view.

FIG. 6 is a right side view of the first embodiment of this design.

FIG. 7 is a perspective view of the second embodiment of the offset pliers of this design.

FIG. 8 is a front view of the second embodiment.

FIG. 9 is a rear view of the second embodiment of the pliers of this design.

FIG. 10 is a left side elevational view of the second embodiment of the offset pliers.

FIG. 11 is a top view of the first embodiment, with the bottom view being a mirror image of the top view.

FIG. 12 is a right side view of the second embodiment of this design.

FIG. 13 is a perspective view of the third embodiment of the offset pliers of this design.

FIG. 14 is a front view of the third embodiment.

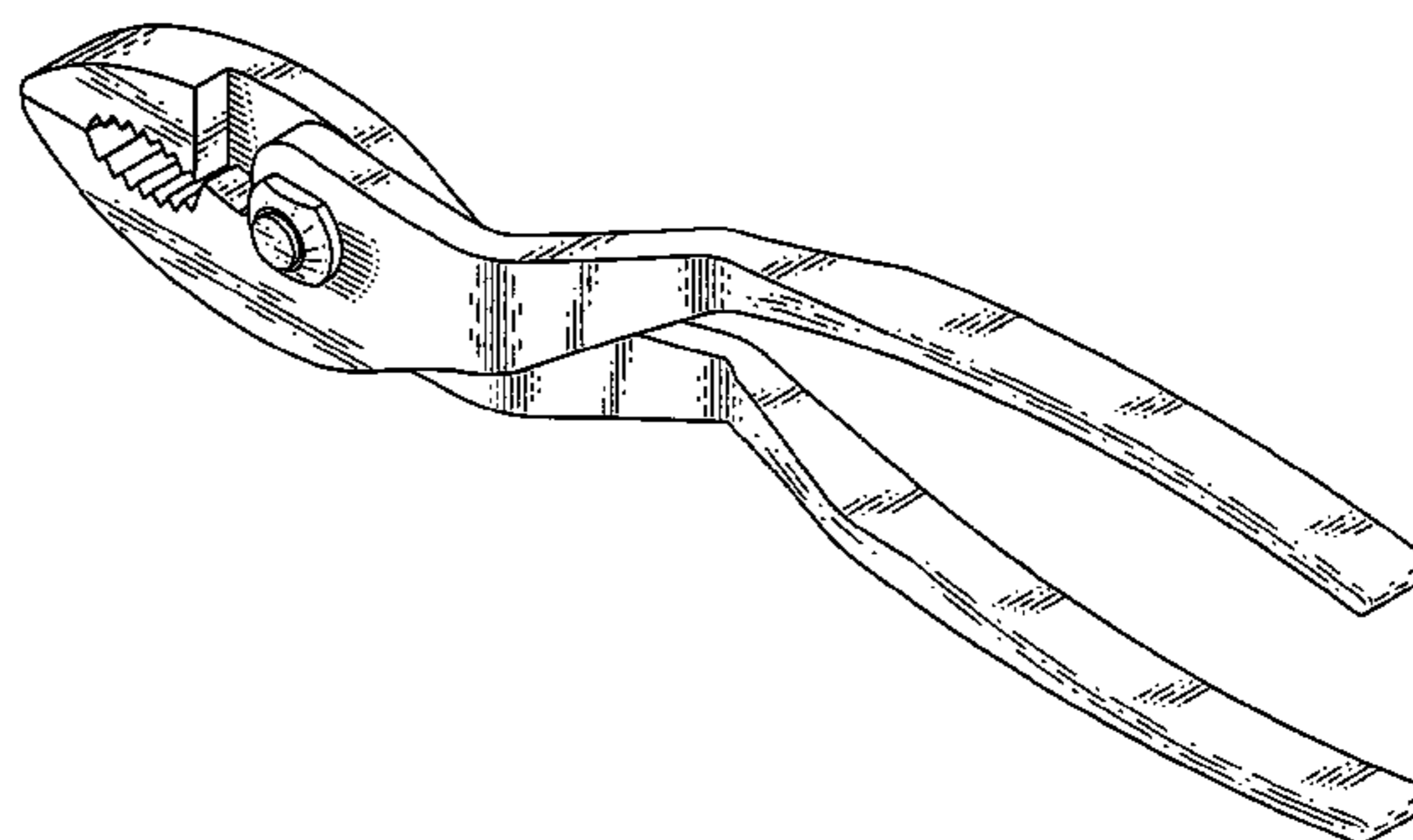
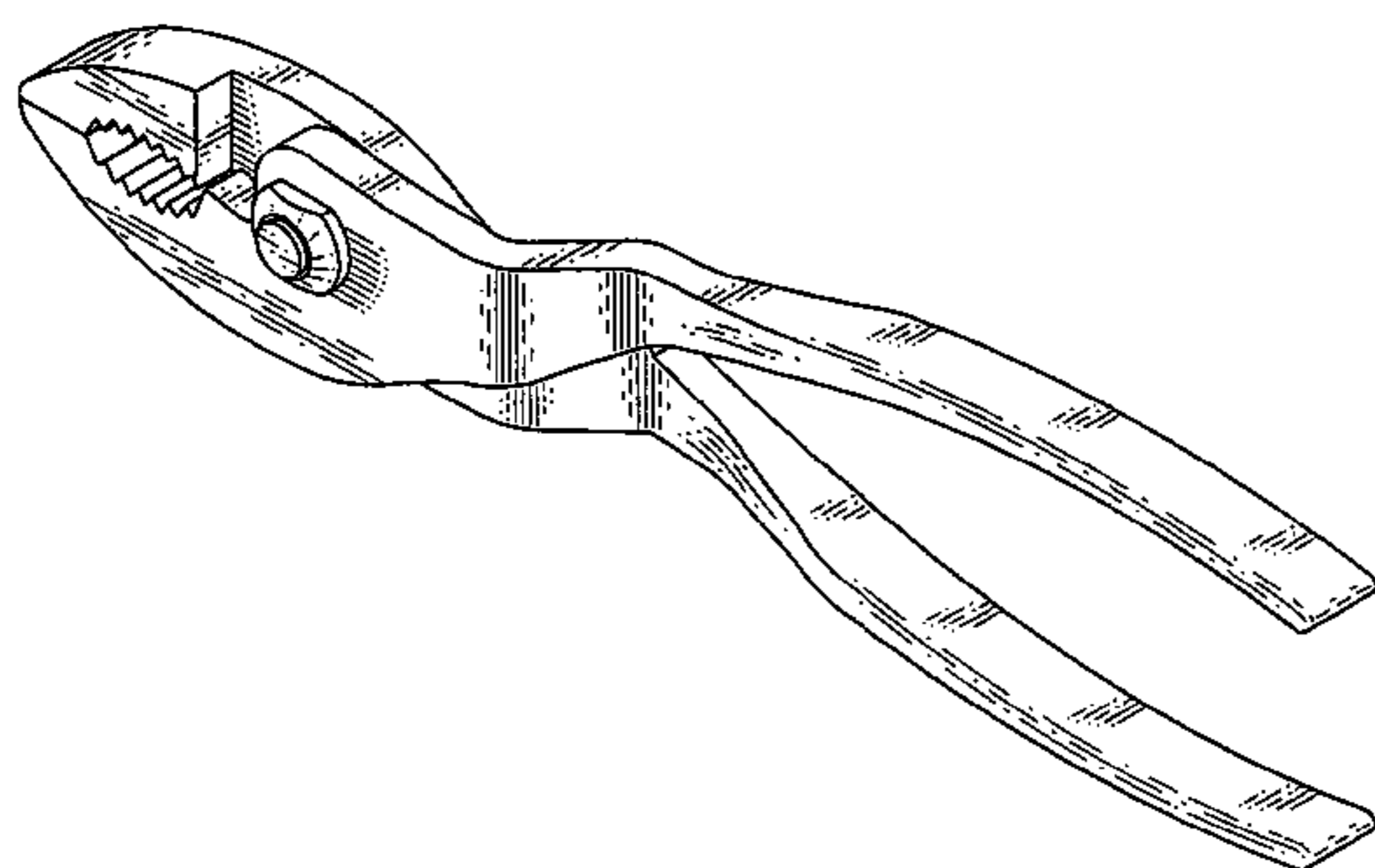
FIG. 15 is a rear view of the third embodiment of the pliers of this design.

FIG. 16 is a left side elevational view of the third embodiment of the offset pliers.

FIG. 17 is a top view of the third embodiment, with the bottom view being a mirror image of the top view; and,

FIG. 18 is a right side view of the third embodiment of this design.

1 Claim, 3 Drawing Sheets



US D658,958 S

Page 2

U.S. PATENT DOCUMENTS

1,612,474	A	*	12/1926	Strain	29/270			
D220,309	S	*	3/1971	Baun	D8/52			
D281,195	S	*	10/1985	Kurz	D24/153			
D362,607	S	*	9/1995	Fisher	D8/52			
D378,042	S	*	2/1997	Jansson et al.	D8/52			
D381,569	S	*	7/1997	Brantley	D8/52			
D406,031	S	*	2/1999	Toshima	D8/52			
D423,894	S	*	5/2000	Schmithorst	D8/57			
D477,508	S	*	7/2003	Brady et al.	D8/52			
D483,634	S	*	12/2003	Jansson et al.	D8/52			
D502,852	S	*	3/2005	Wang	D8/52			
D524,128	S	*	7/2006	Puerta	D8/52			
7,114,208	B1	*	10/2006	Borst	7/108			
D543,816	S	*	6/2007	Metcalf	D8/52			
D607,703	S	*	1/2010	Pagliari	D8/52			
2004/0159194	A1	*	8/2004	Ting	81/416			

* cited by examiner

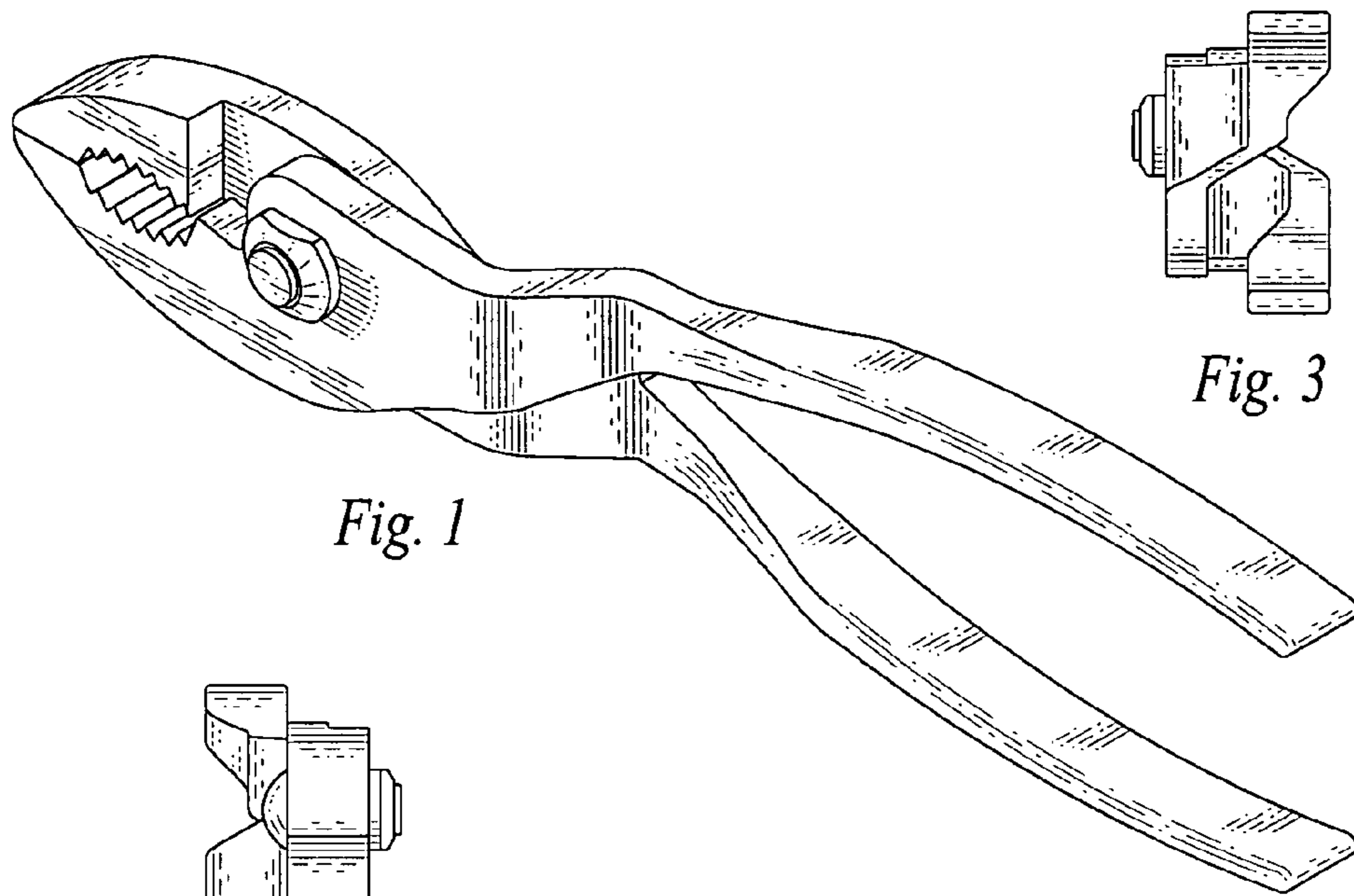


Fig. 1

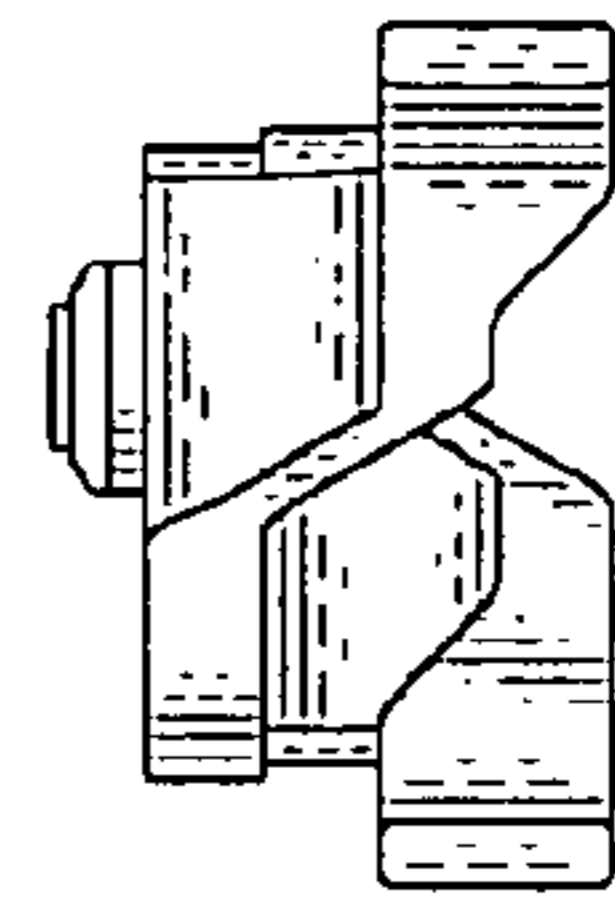


Fig. 3

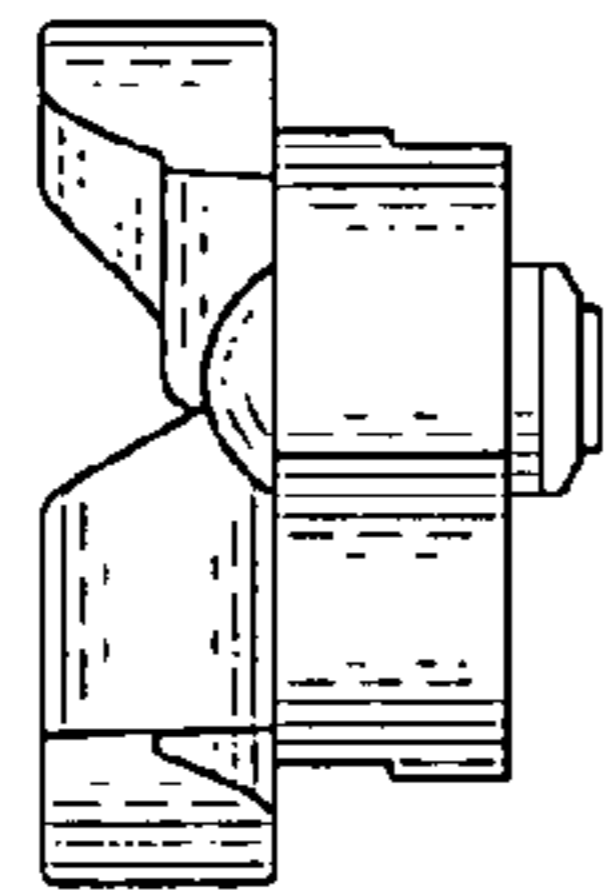


Fig. 2

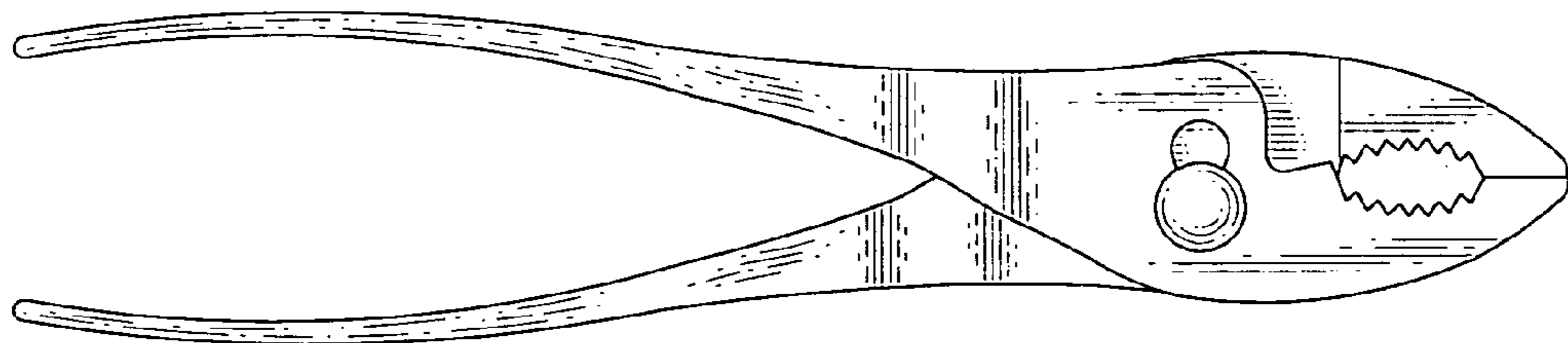


Fig. 4

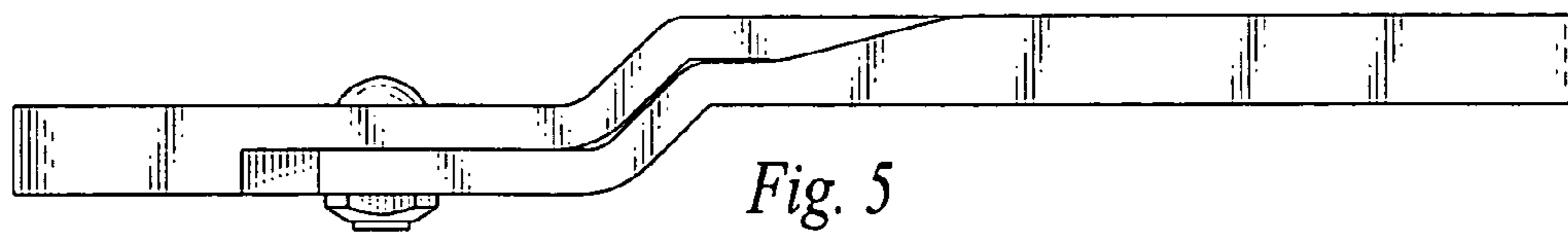


Fig. 5

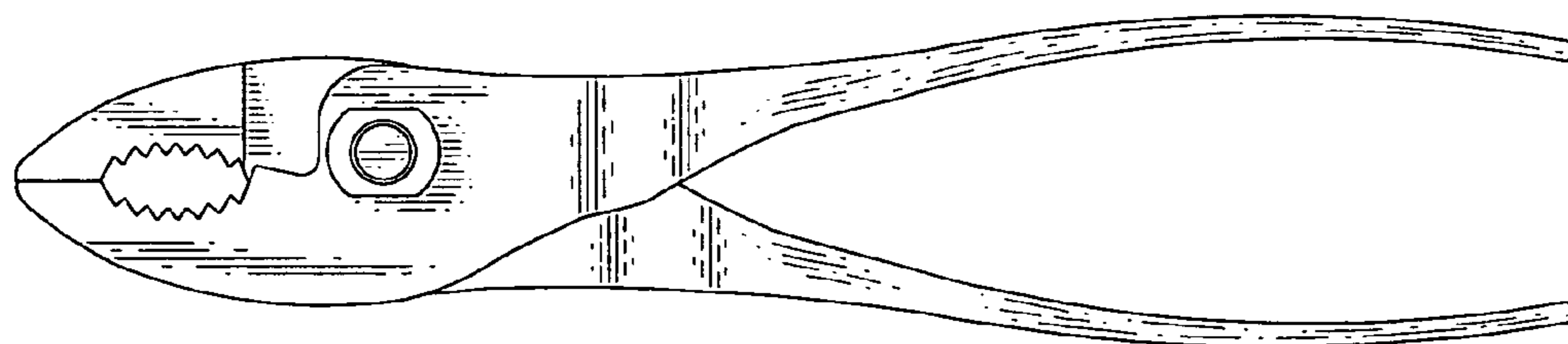


Fig. 6

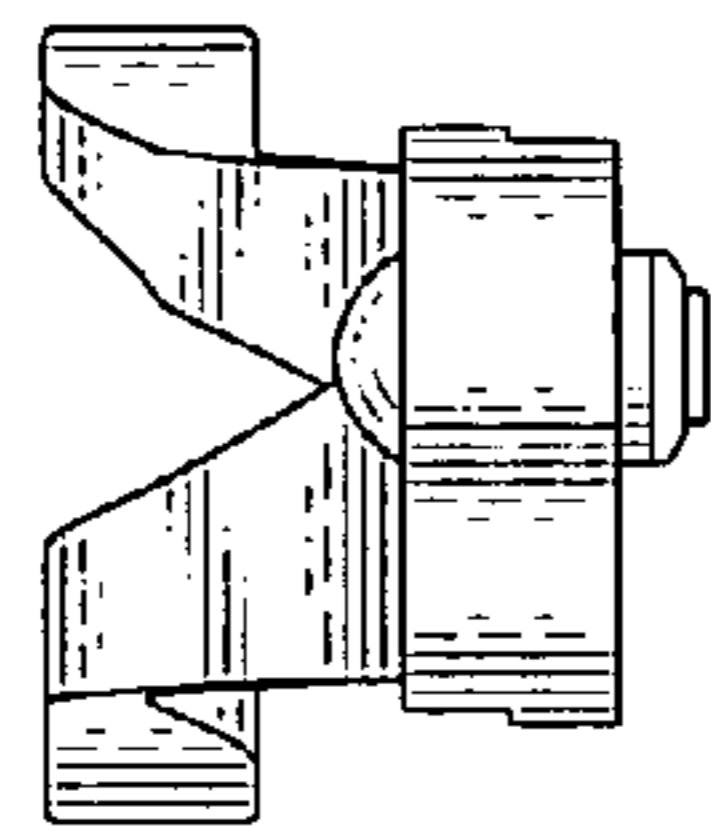
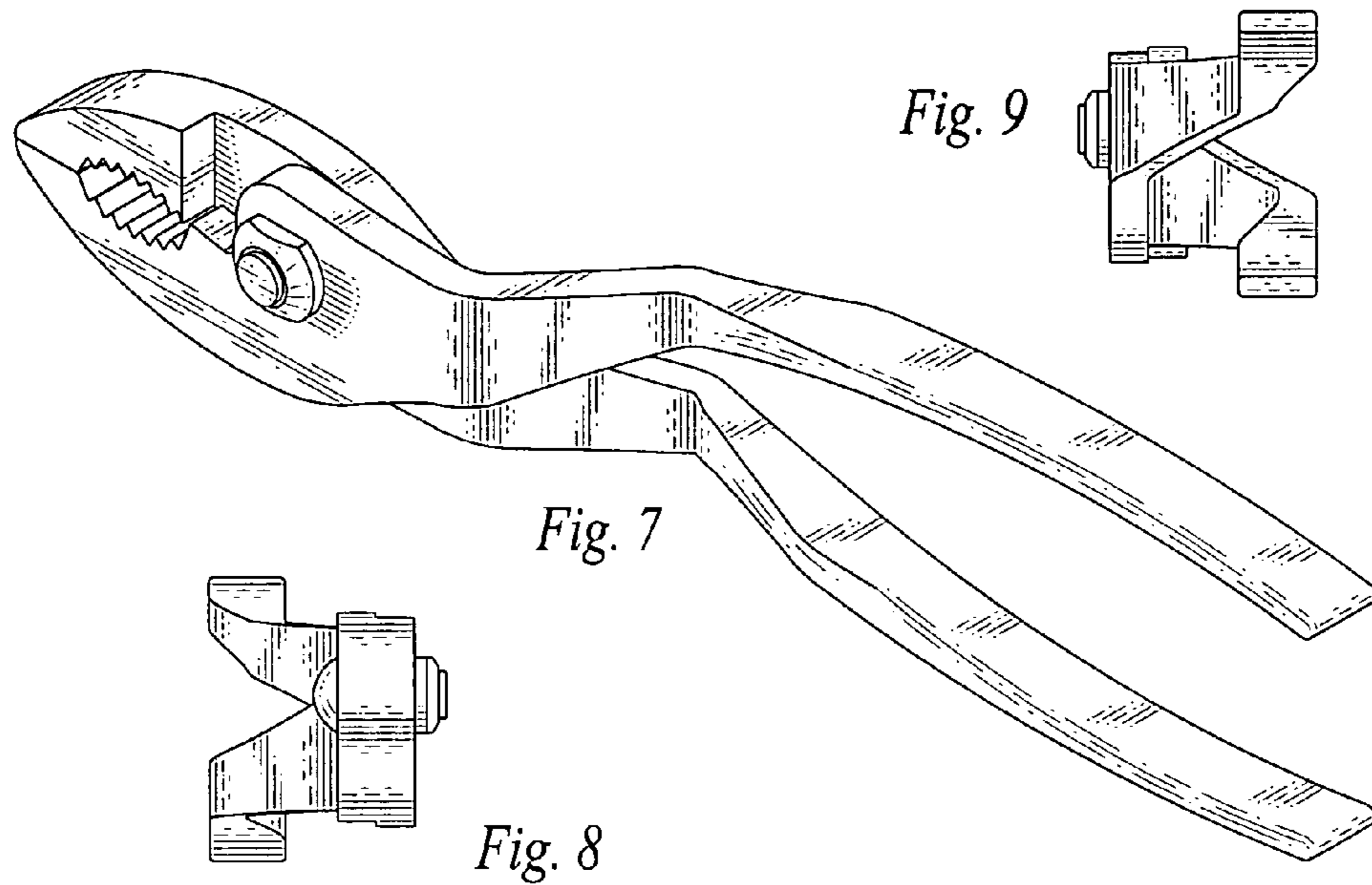


Fig. 8

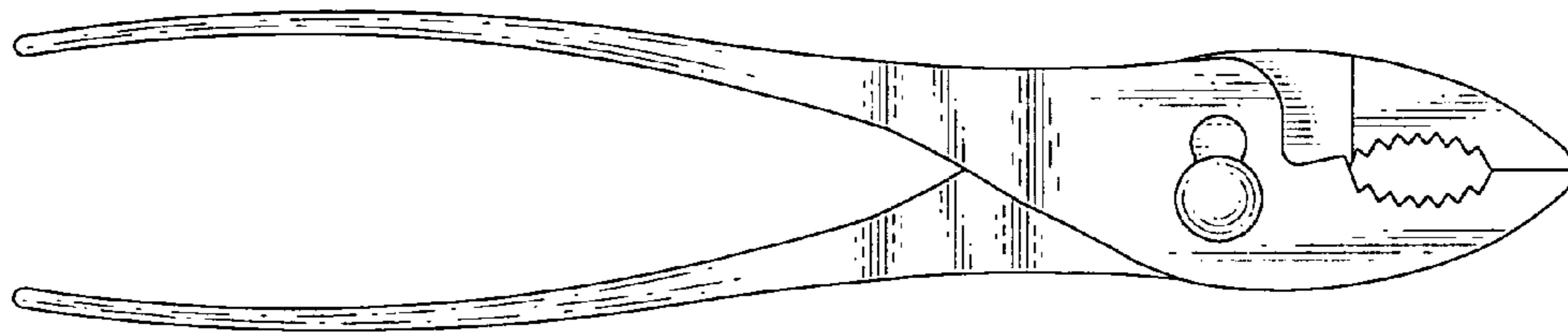


Fig. 10

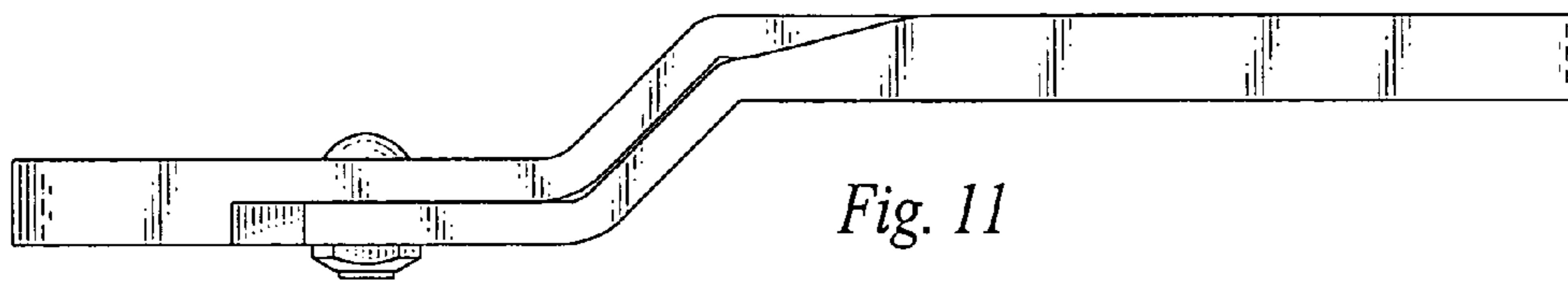


Fig. 11

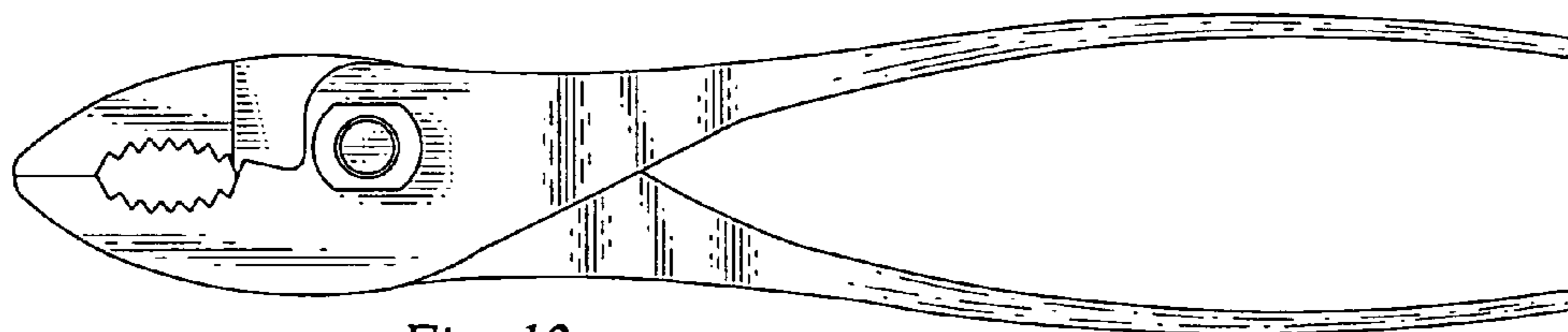


Fig. 12

