



US00D658950S

(12) **United States Design Patent**  
**Plank et al.**

(10) **Patent No.:** **US D658,950 S**

(45) **Date of Patent:** **\*\* May 8, 2012**

(54) **COOKIE CUTTER**

D586,189 S \* 2/2009 Austin ..... D7/673

\* cited by examiner

(76) Inventors: **Natalie A. Plank**, Gardner, KS (US);  
**Jennifer L. Grubbs**, Hugoton, KS (US)

*Primary Examiner* — Terry Wallace

(\*\*) Term: **14 Years**

(74) *Attorney, Agent, or Firm* — Invention Protection Associates, LLC

(21) Appl. No.: **29/403,083**

(22) Filed: **Sep. 30, 2011**

(57) **CLAIM**

(51) **LOC (9) Cl.** ..... **07-04**

We claim an ornamental design for a cookie cutter, as shown and described.

(52) **U.S. Cl.** ..... **D7/675**

(58) **Field of Classification Search** ..... D7/672–677;  
30/301, 303, 305, 306, 312, 314–316, 399,  
30/114, 124, 130; D9/600, 614; 249/117,  
249/135; 93/13; 425/376, 279, 281, 298,  
425/299

**DESCRIPTION**

See application file for complete search history.

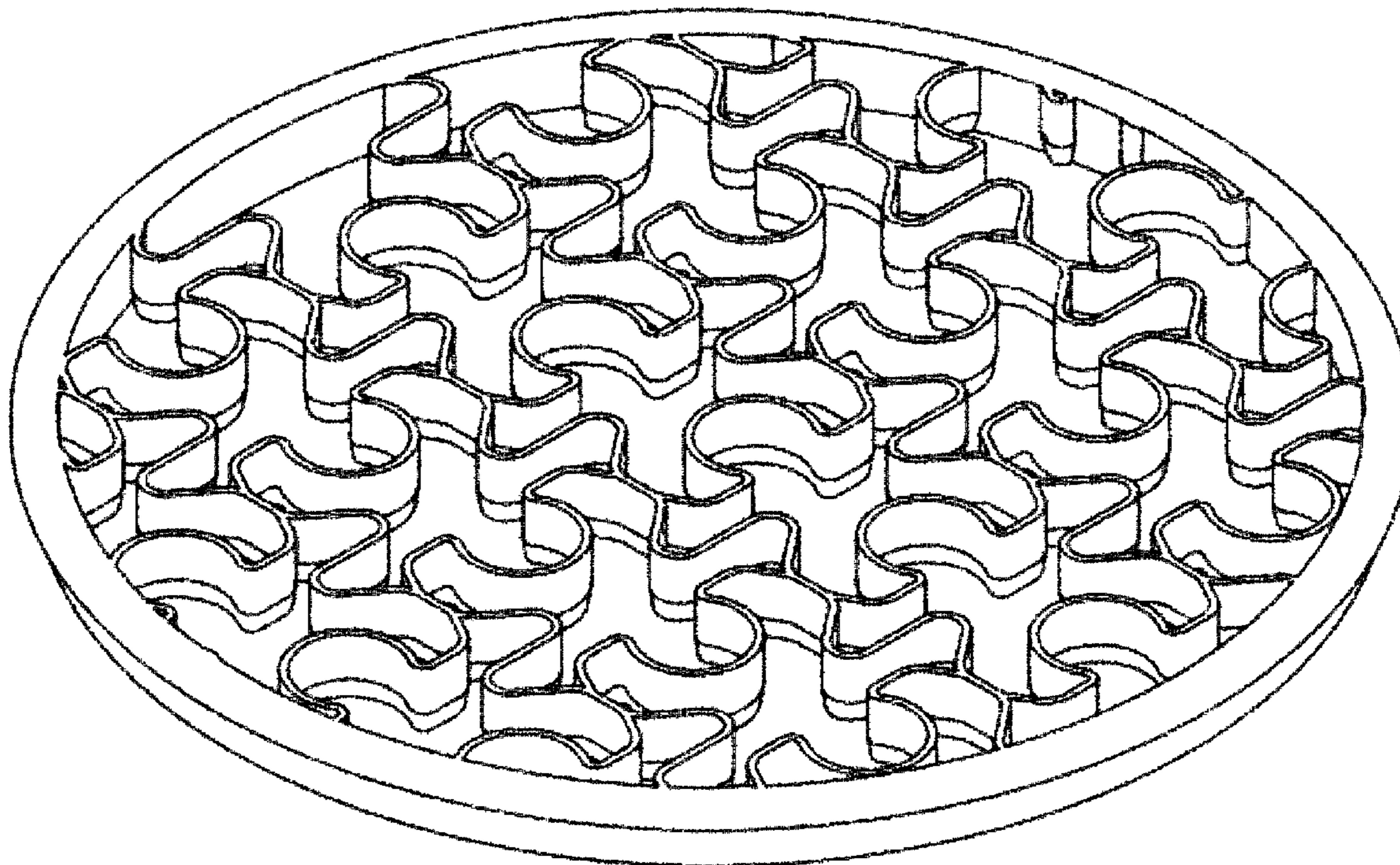
FIG. 1 is a top, front, left perspective view showing our new design for a cookie cutter;  
FIG. 2 is a bottom, front, right perspective view thereof;  
FIG. 3 is a bottom, rear perspective view thereof;  
FIG. 4 a top plan view thereof;  
FIG. 5 is a bottom plan view thereof; and,  
FIG. 6 is a right side elevational view thereof, all other elevational views being mirror images of the right side elevational view.

(56) **References Cited**

**U.S. PATENT DOCUMENTS**

D396,388 S \* 7/1998 Mishan ..... D7/672  
D404,977 S \* 2/1999 Rosby ..... D7/675  
D524,122 S \* 7/2006 Johnson et al. .... D7/675

**1 Claim, 4 Drawing Sheets**



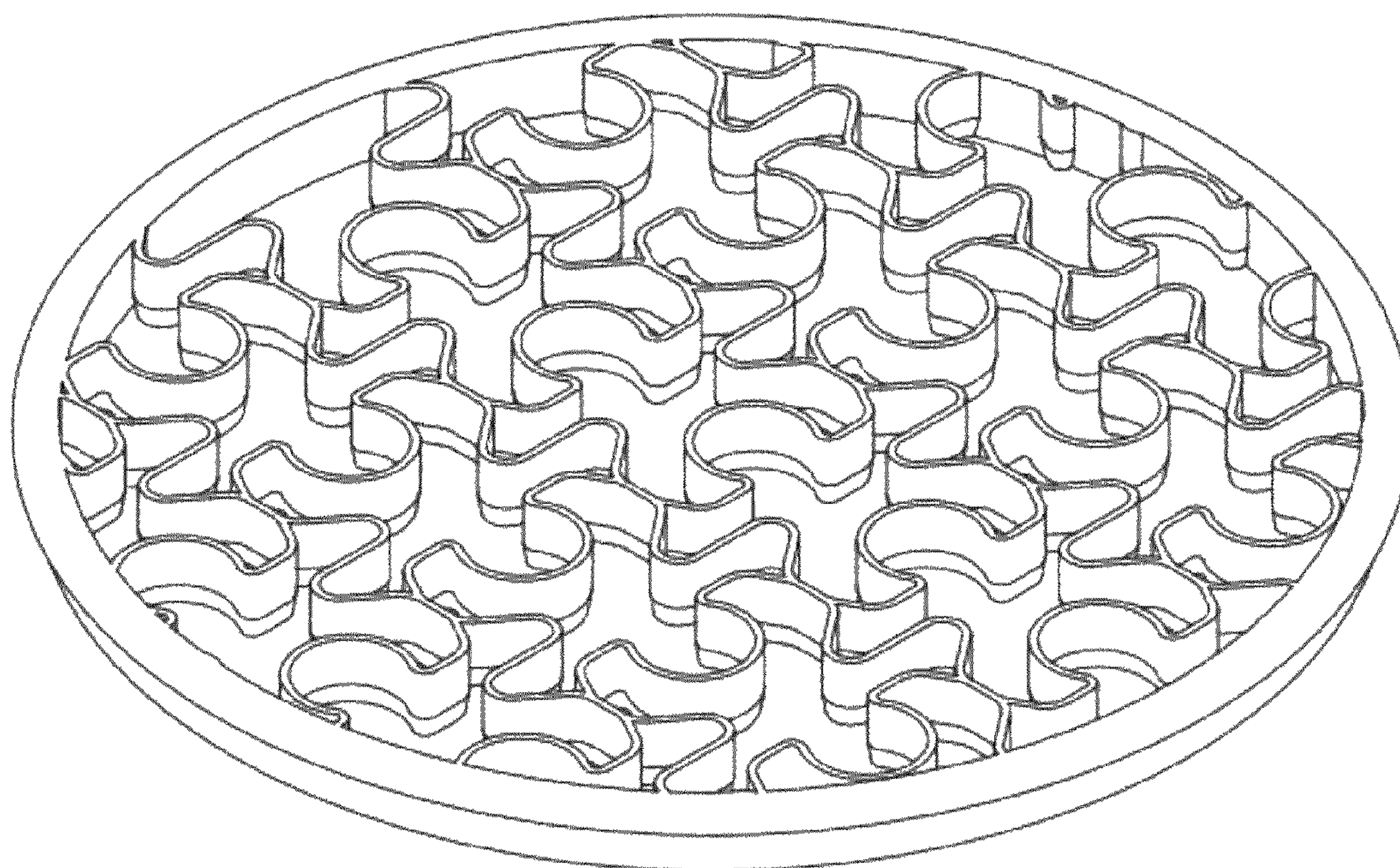


FIG. 1

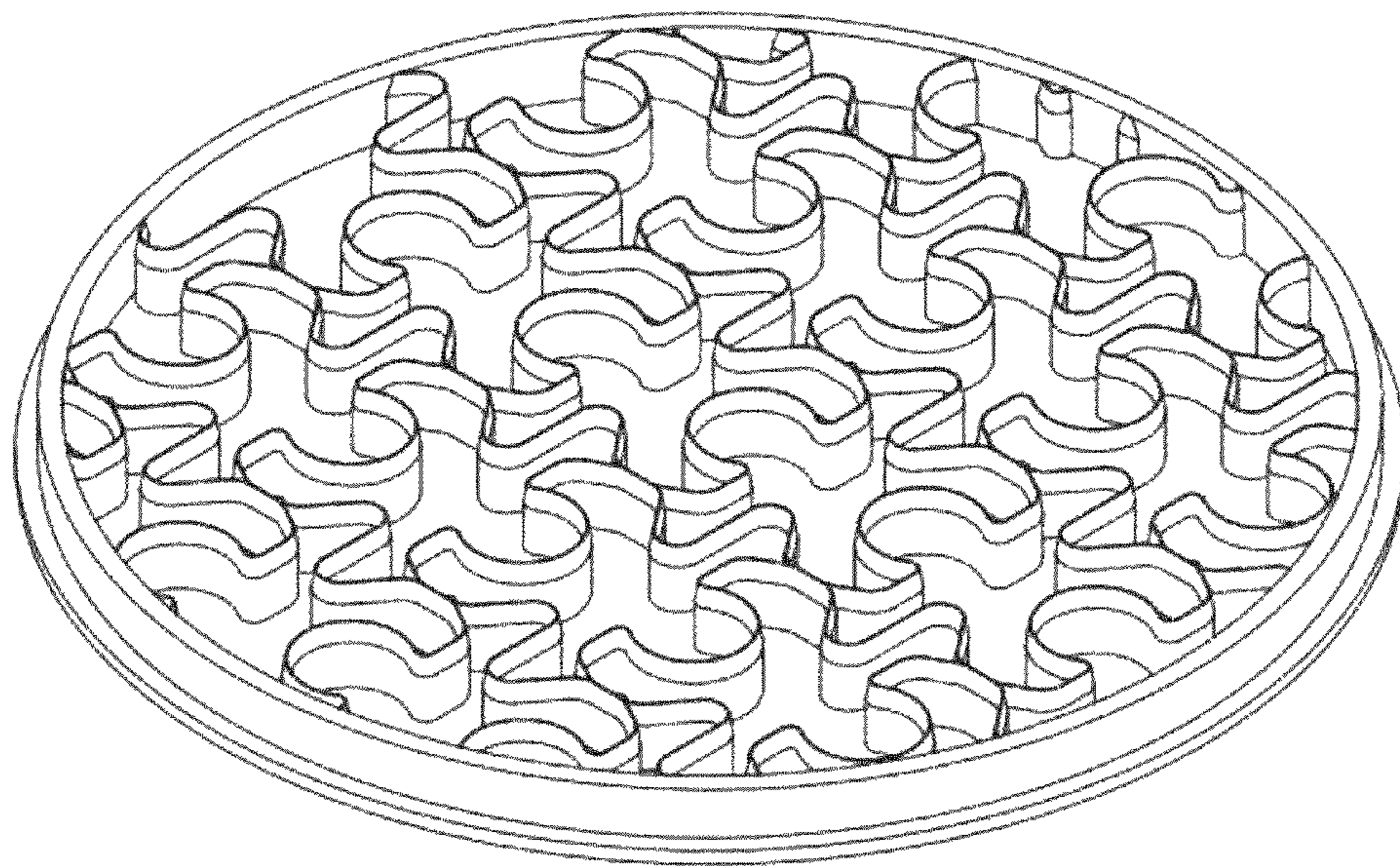


FIG. 2

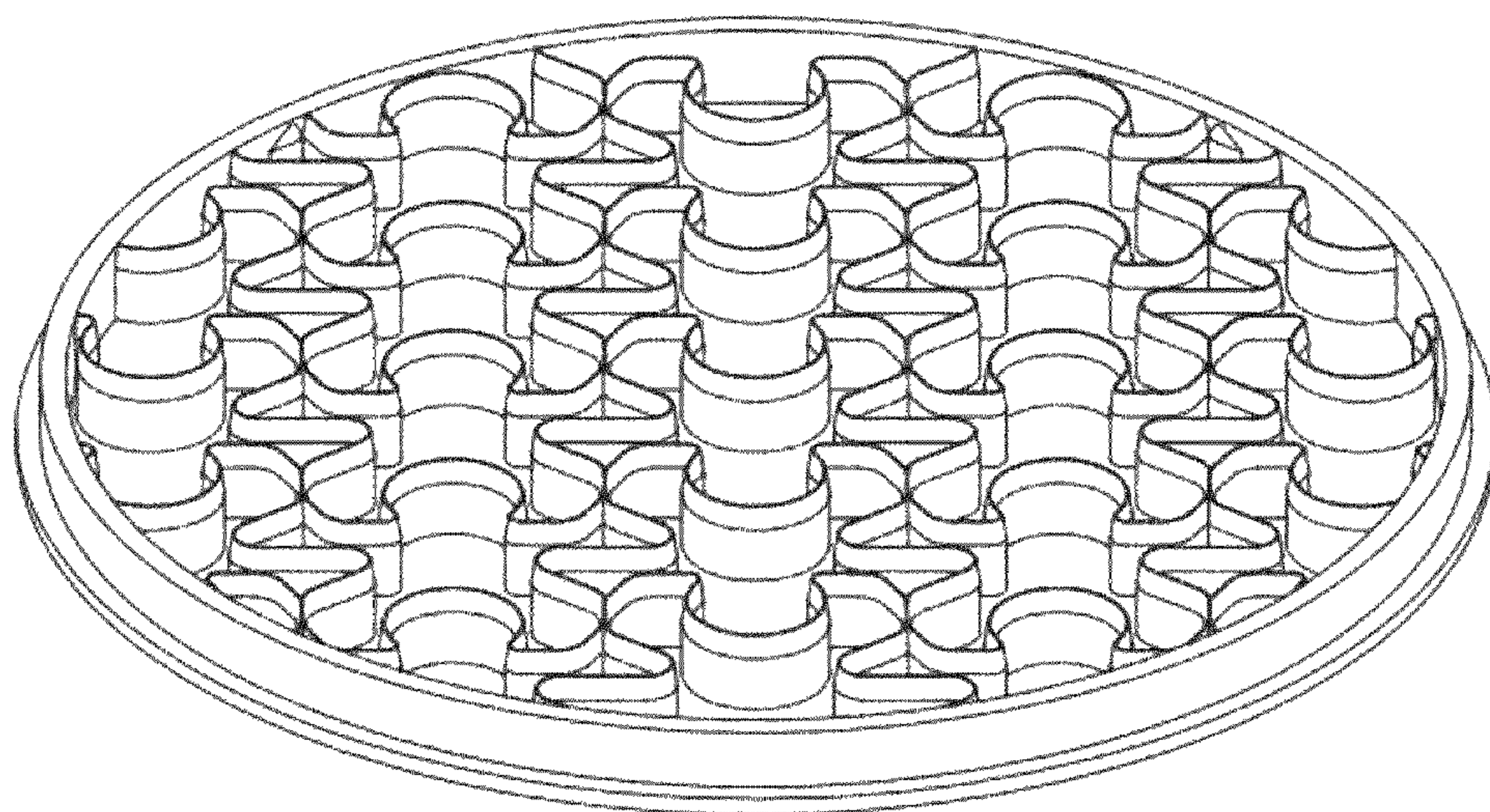


FIG. 3

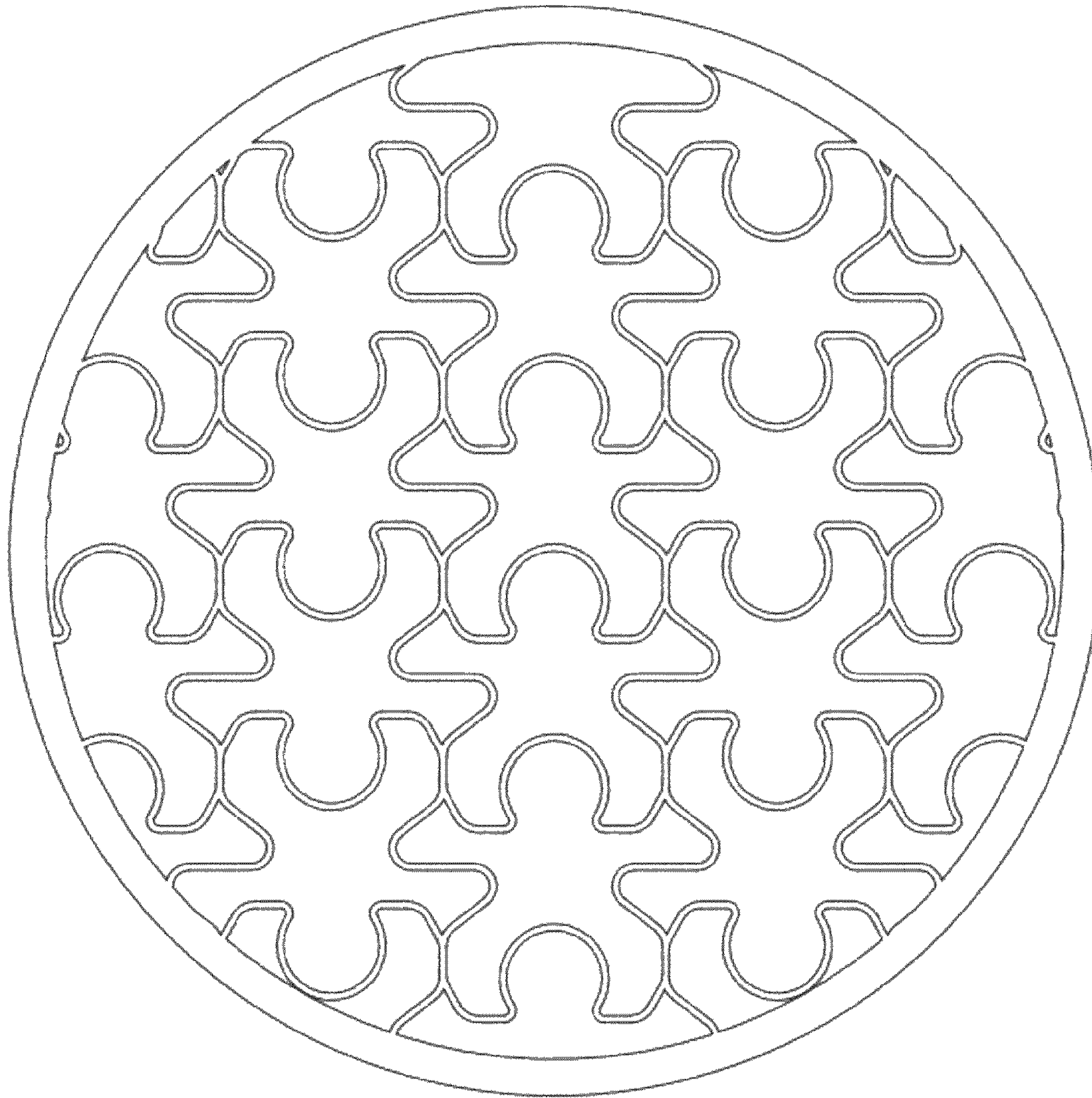


FIG. 4



FIG. 5

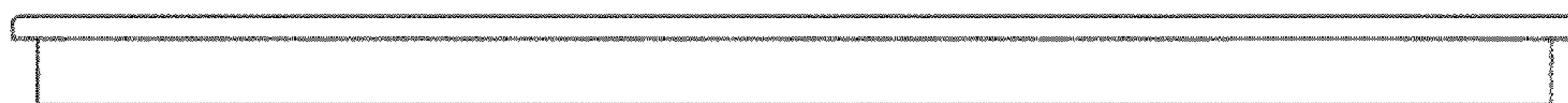


FIG. 6