

US00D658948S

(12) **United States Design Patent**
Zorovich et al.

(10) **Patent No.:** **US D658,948 S**
(45) **Date of Patent:** **** May 8, 2012**

(54) **STORAGE AND DISPLAY CASE FOR COMESTIBLES**

(75) Inventors: **Kenneth D. Zorovich**, Hoboken, NJ (US); **Yos Kumthampinij**, Edgewater, NJ (US); **John C Earle**, Annapolis, MD (US)

(73) Assignee: **Propeller, Inc.**, Hoboken, NJ (US)

(**) Term: **14 Years**

(21) Appl. No.: **29/361,888**

(22) Filed: **May 17, 2010**

(51) **LOC (9) Cl.** **07-01**

(52) **U.S. Cl.** **D7/629**

(58) **Field of Classification Search** D7/601, D7/500, 502, 550.1, 553.1, 553.2, 553.3, D7/553.4, 553.5, 554.3, 554.4, 538, 541, D7/602, 701, 703, 629, 388; 215/6, 272, 215/273, 280, 284; 220/495.03, 500, 501, 220/506, 507, 553, 554, 555, 556, 200, 669, 220/675

See application file for complete search history.

(56) **References Cited**

U.S. PATENT DOCUMENTS

1,505,592	A	8/1924	Epperson	
1,987,945	A	1/1935	Schnaier	
D158,999	S *	6/1950	Paul	D7/502
3,426,935	A *	2/1969	Swett	220/836
3,863,833	A *	2/1975	Swett et al.	220/4.21
D248,357	S *	7/1978	Daenen	D7/505
D249,235	S *	9/1978	Limon et al.	D9/425
4,392,803	A	7/1983	Cross et al.	
D284,437	S *	7/1986	Zieff et al.	D7/542

D322,013	S *	12/1991	Daenen et al.	D7/542
D391,809	S *	3/1998	Jeppesen et al.	D7/629
D417,592	S *	12/1999	Jeppesen et al.	D7/609
D418,720	S *	1/2000	Lillelund et al.	D7/602
D419,828	S *	2/2000	Lillelund et al.	D7/542
D486,995	S *	2/2004	Liu	D7/502
D496,272	S *	9/2004	Jackson et al.	D9/425
D524,106	S *	7/2006	Peterson	D7/502
D592,911	S	5/2009	Buchanan	
2010/0183789	A1	7/2010	Zorovich et al.	

* cited by examiner

Primary Examiner — Elizabeth J Oswecki

(74) *Attorney, Agent, or Firm* — Greenberg Traurig, LLP

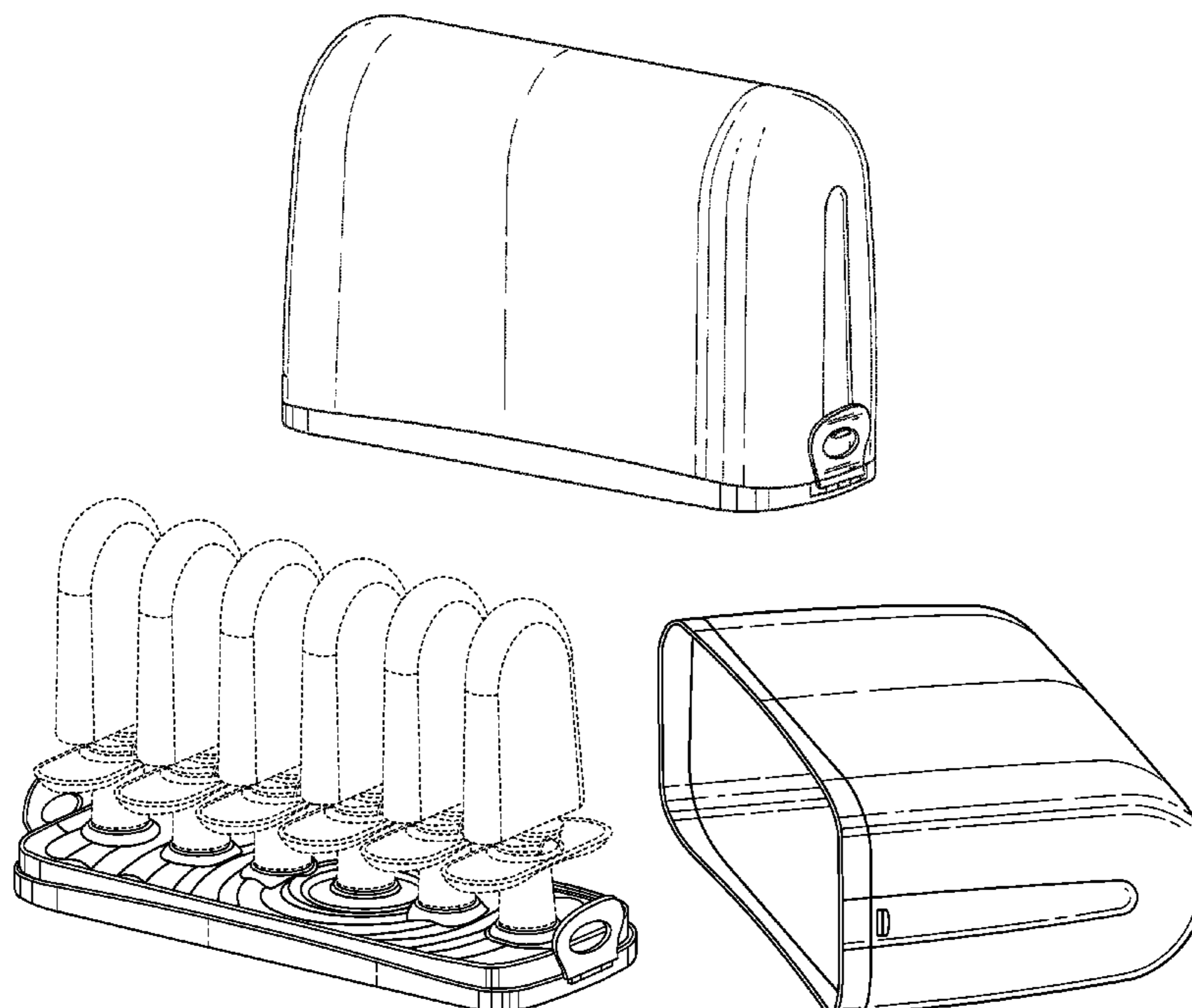
(57) **CLAIM**

The ornamental design for a storage and display case for comestibles, as shown and described.

DESCRIPTION

FIG. 1 is a perspective view of a storage and display case for comestibles showing our new design; FIG. 2 is a top plan view thereof; FIG. 3 is a left side elevational view thereof, the right side elevational view being identical to FIG. 3; FIG. 4 is a front elevational view thereof, the rear elevational view being identical to FIG. 4; FIG. 5 is a bottom plan view thereof, the broken line portions forming no part of the claimed design; FIG. 6 is an exploded perspective view thereof; and, FIG. 7 is an exploded, perspective view of a storage and display case for comestibles of FIG. 1 with an associated cover removed from a base thereof, and comestibles attached to the base shown in broken lines and forming no part of the claimed design.

1 Claim, 5 Drawing Sheets



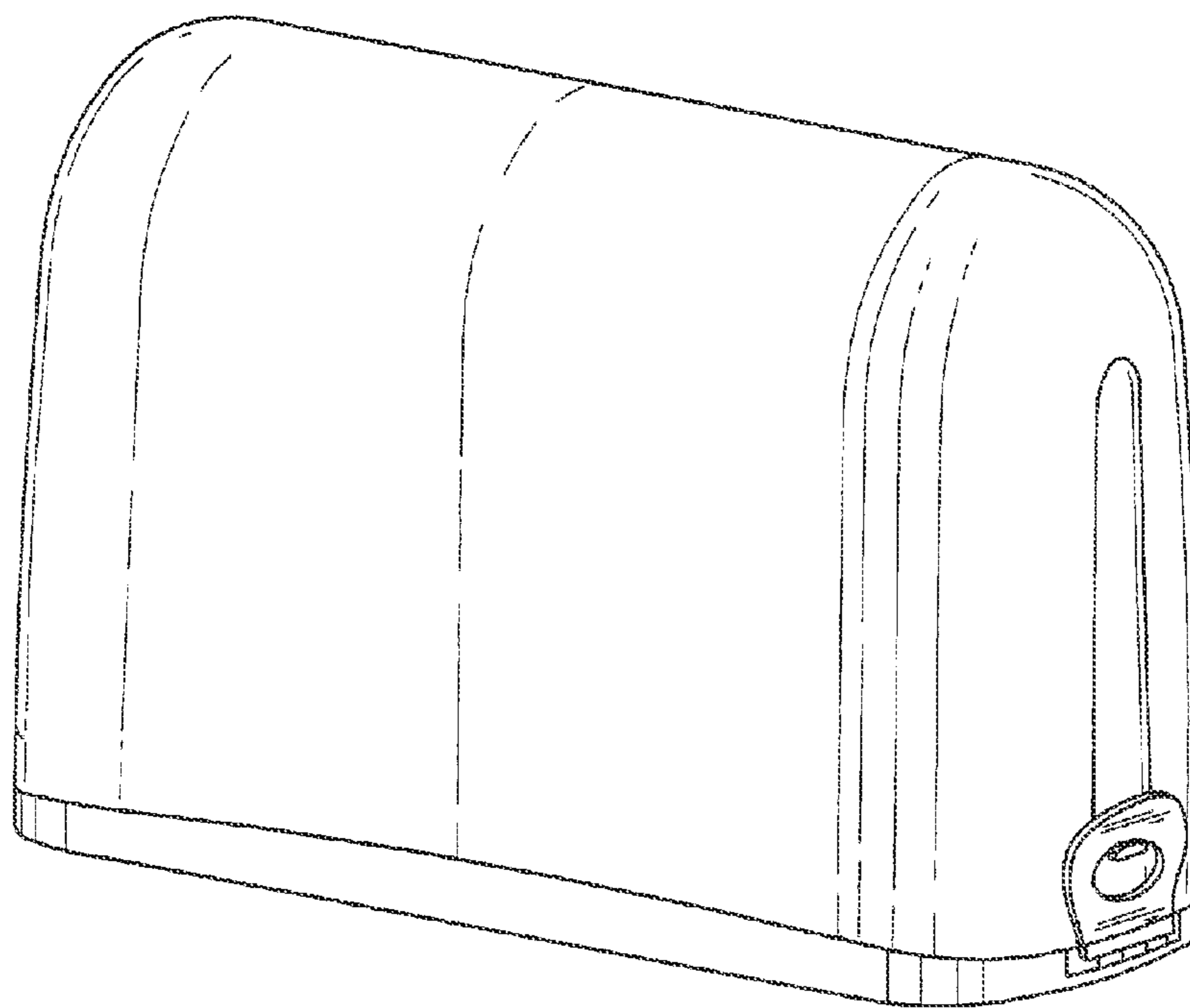


FIG. 1

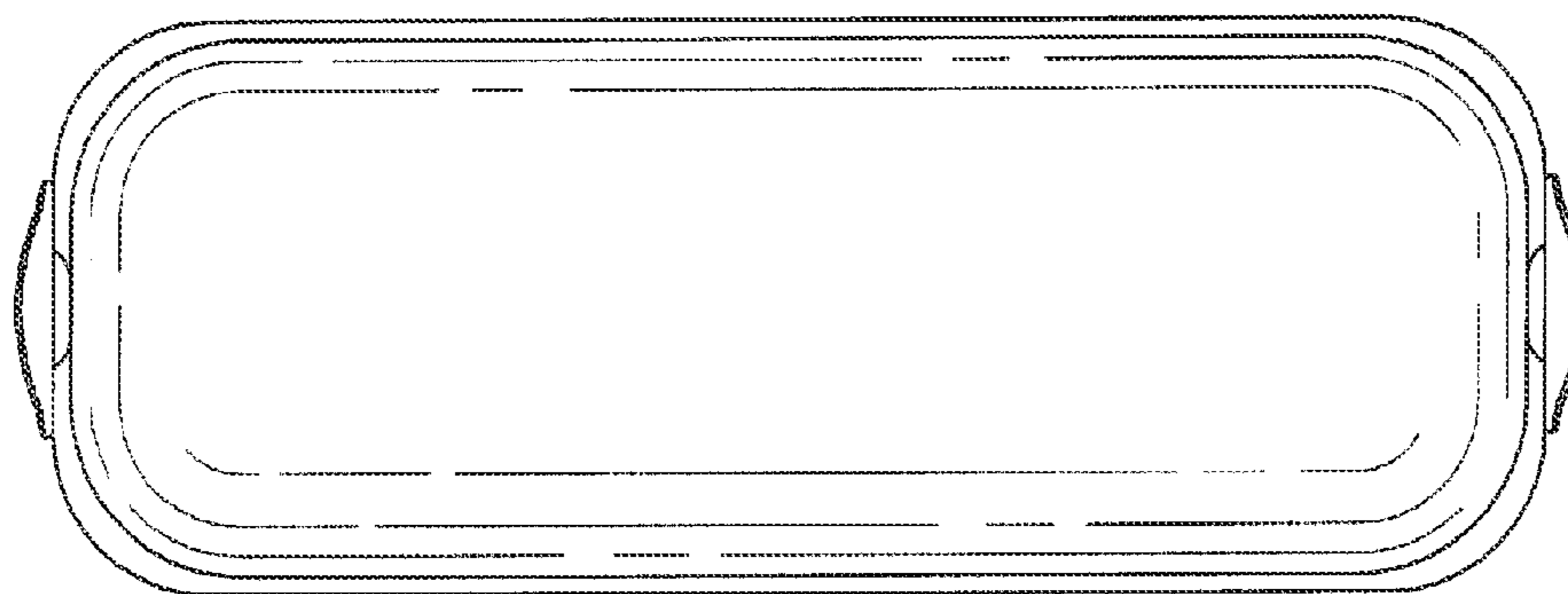


FIG. 2

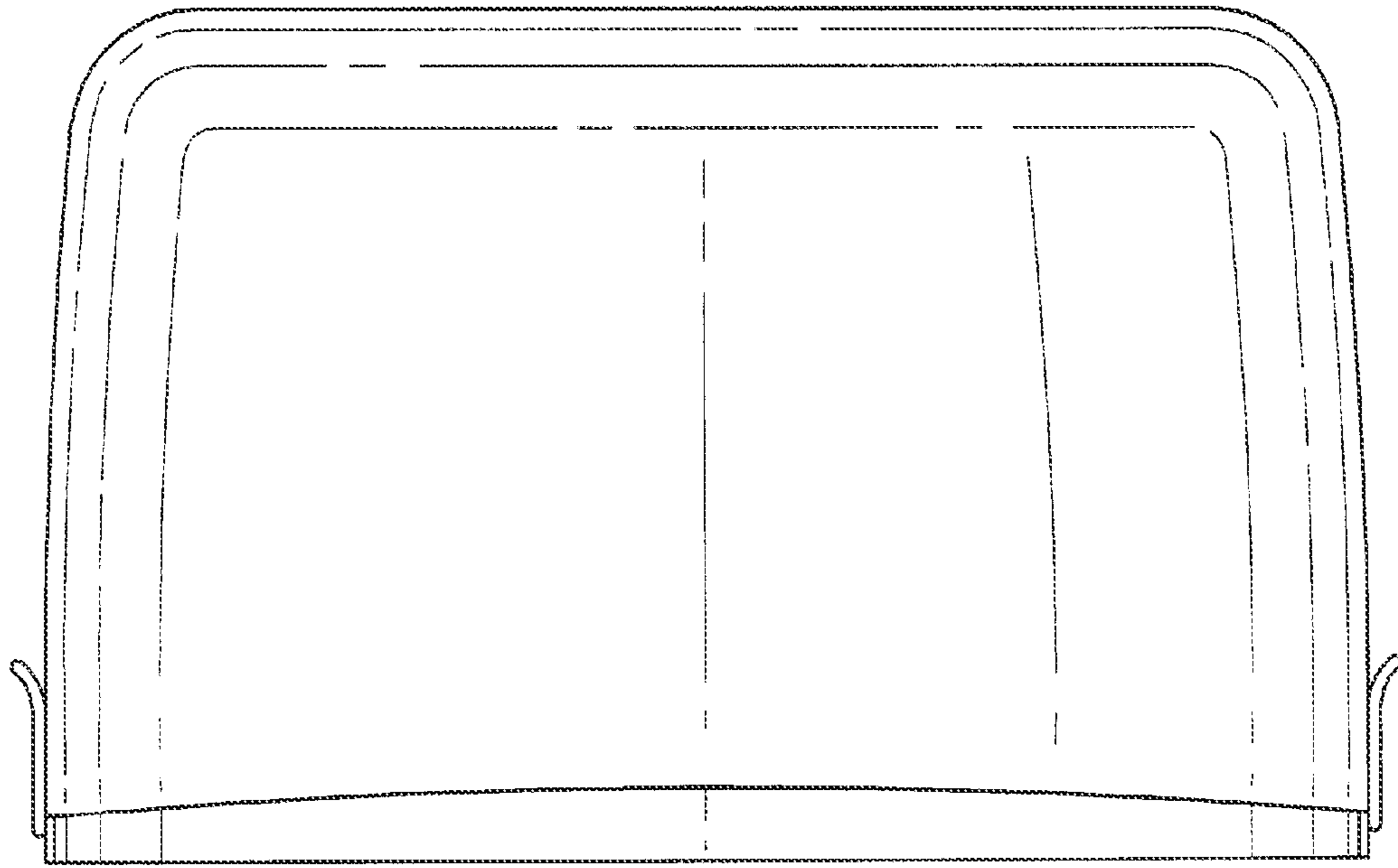


FIG. 3

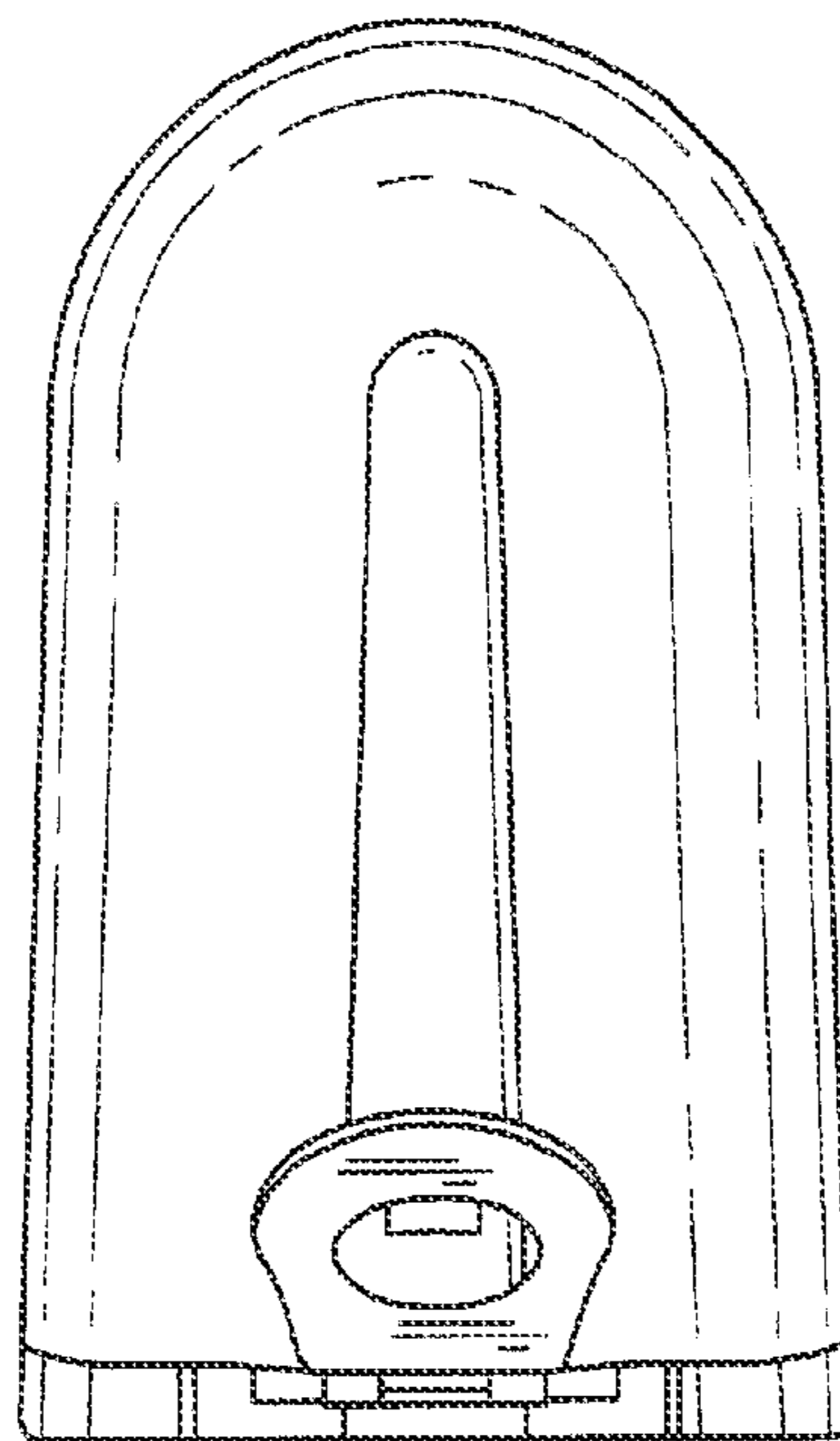


FIG. 4

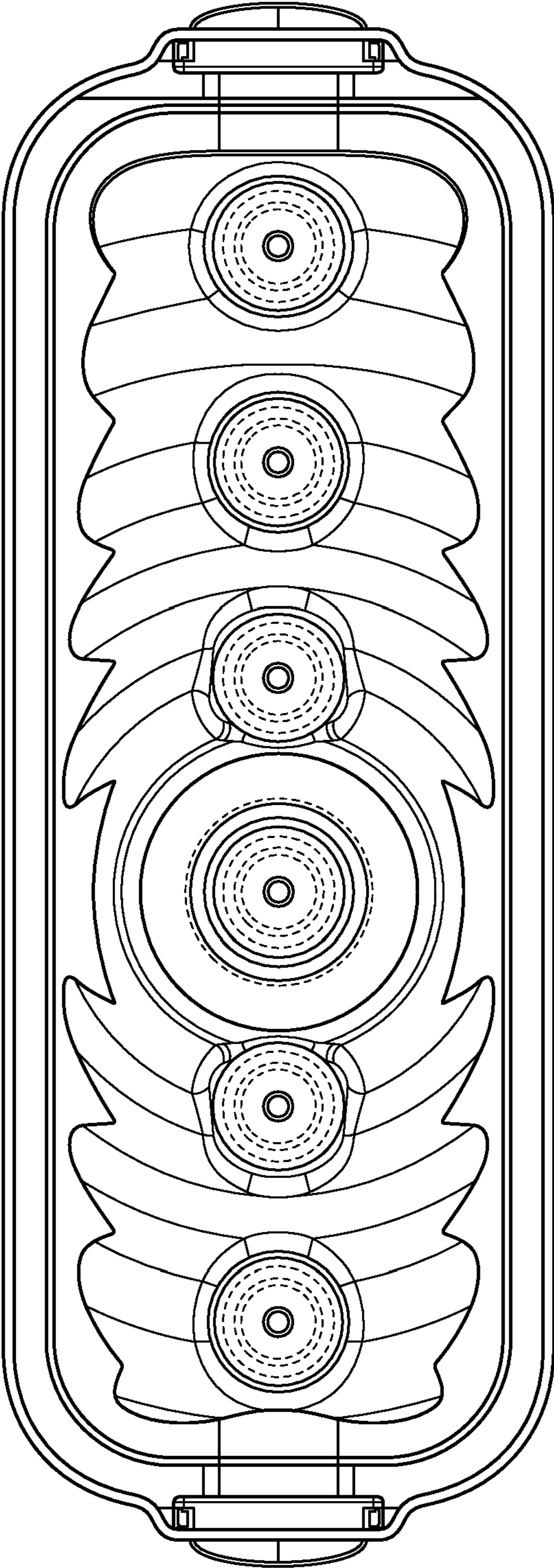
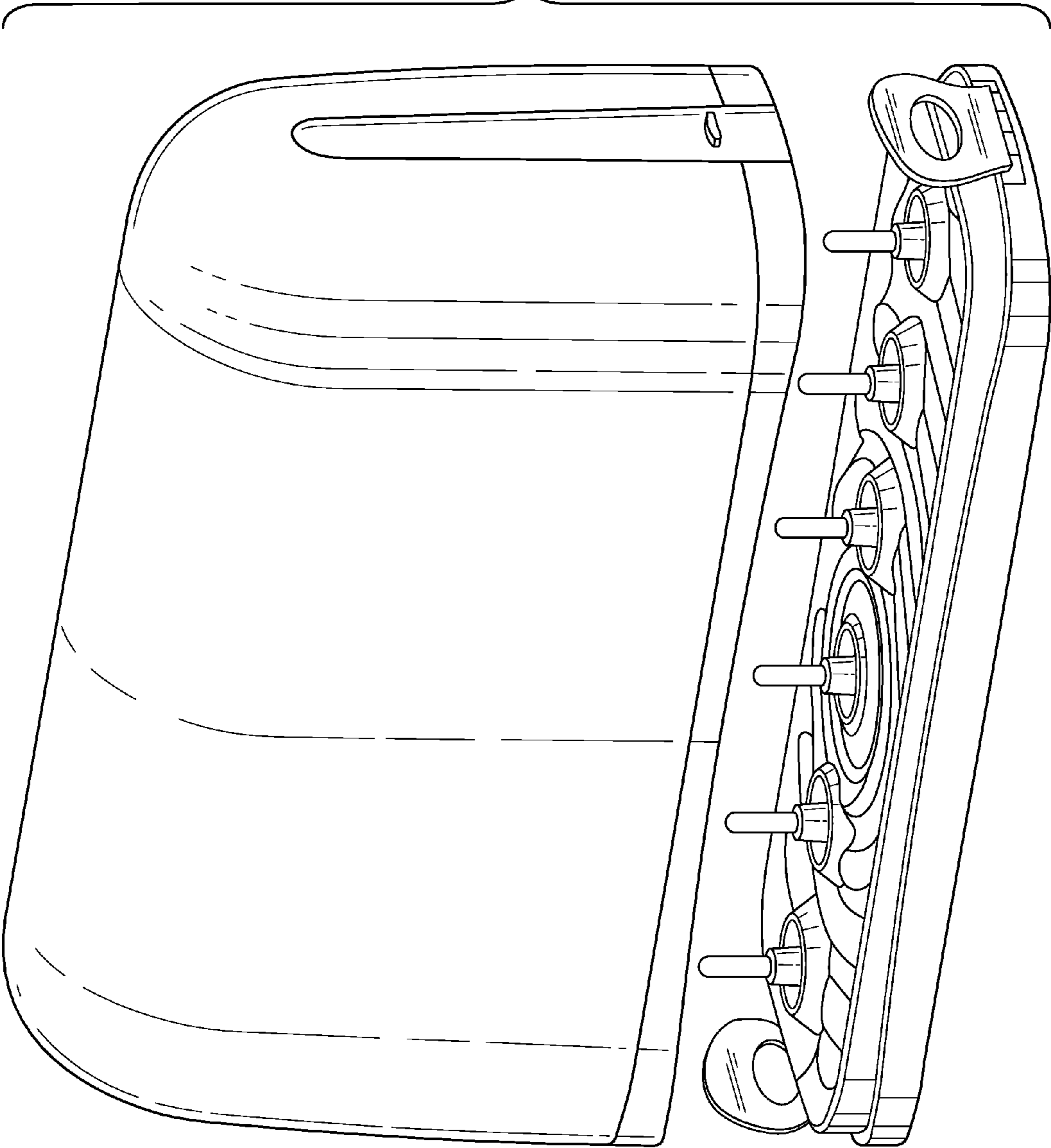


FIG. 5

FIG. 6



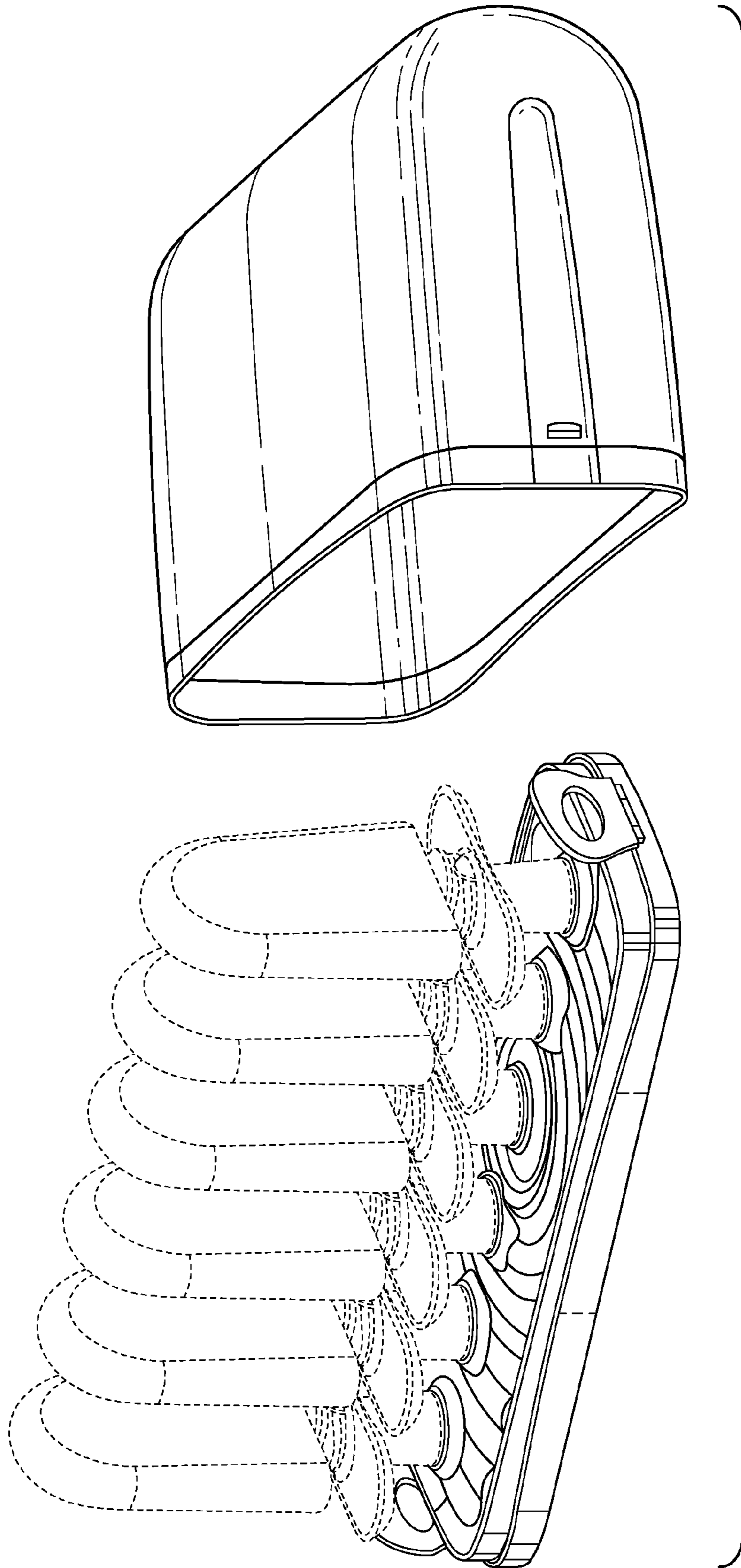


FIG. 7