



US00D658946S

(12) **United States Design Patent**
Burns

(10) **Patent No.:** **US D658,946 S**

(45) **Date of Patent:** **** May 8, 2012**

(54) **CUP**
(75) **Inventor:** **Thomas Elliott Burns**, Los Angeles, CA (US)
(73) **Assignee:** **Misaine Trade, Inc.**, Torrance, CA (US)
(**) **Term:** **14 Years**
(21) **Appl. No.:** **29/400,501**

D448,622 S * 10/2001 Horvat D7/555
D482,239 S * 11/2003 Bodum D7/536
D522,312 S * 6/2006 Bodum D7/536
D552,931 S * 10/2007 Bodum D7/536
D557,563 S * 12/2007 Bodum D7/536
D557,564 S * 12/2007 Bodum D7/536
D560,971 S * 2/2008 Sung D7/536
D560,972 S * 2/2008 Sung D7/536
D567,590 S * 4/2008 Bodum D7/536

(Continued)

(22) **Filed:** **Aug. 29, 2011**

Related U.S. Application Data

(63) Continuation of application No. 29/354,920, filed on Jan. 29, 2010, now Pat. No. Des. 646,122.

(51) **LOC (9) Cl.** **07-01**

(52) **U.S. Cl.** **D7/536**

(58) **Field of Classification Search** D7/505, D7/507, 536, 545, 500, 510, 511, 317, 316, D7/523, 412, 376, 608, 532, 509, 533; D9/551, D9/529; 215/121, 382, 388, 387, DIG. 7; 220/674, 715, 713, 718, 592.16, 592.17, 220/709, 708, 710.5; D8/DIG. 8; D24/121; 229/400, 402

See application file for complete search history.

(56) **References Cited**

U.S. PATENT DOCUMENTS

D102,968 S * 1/1937 Farber D7/505
2,151,023 A * 3/1939 Gibson 220/23.83
2,799,147 A * 7/1957 Crawford, Jr. 220/23.83
D205,534 S * 8/1966 Gulotta D7/507
D221,174 S * 7/1971 Benes D7/536
D244,738 S * 6/1977 Juhlin D7/507
D411,940 S * 7/1999 Horvat D7/507

Primary Examiner — Cynthia Underwood

(74) *Attorney, Agent, or Firm* — Knobbe, Martens, Olson & Bear LLP

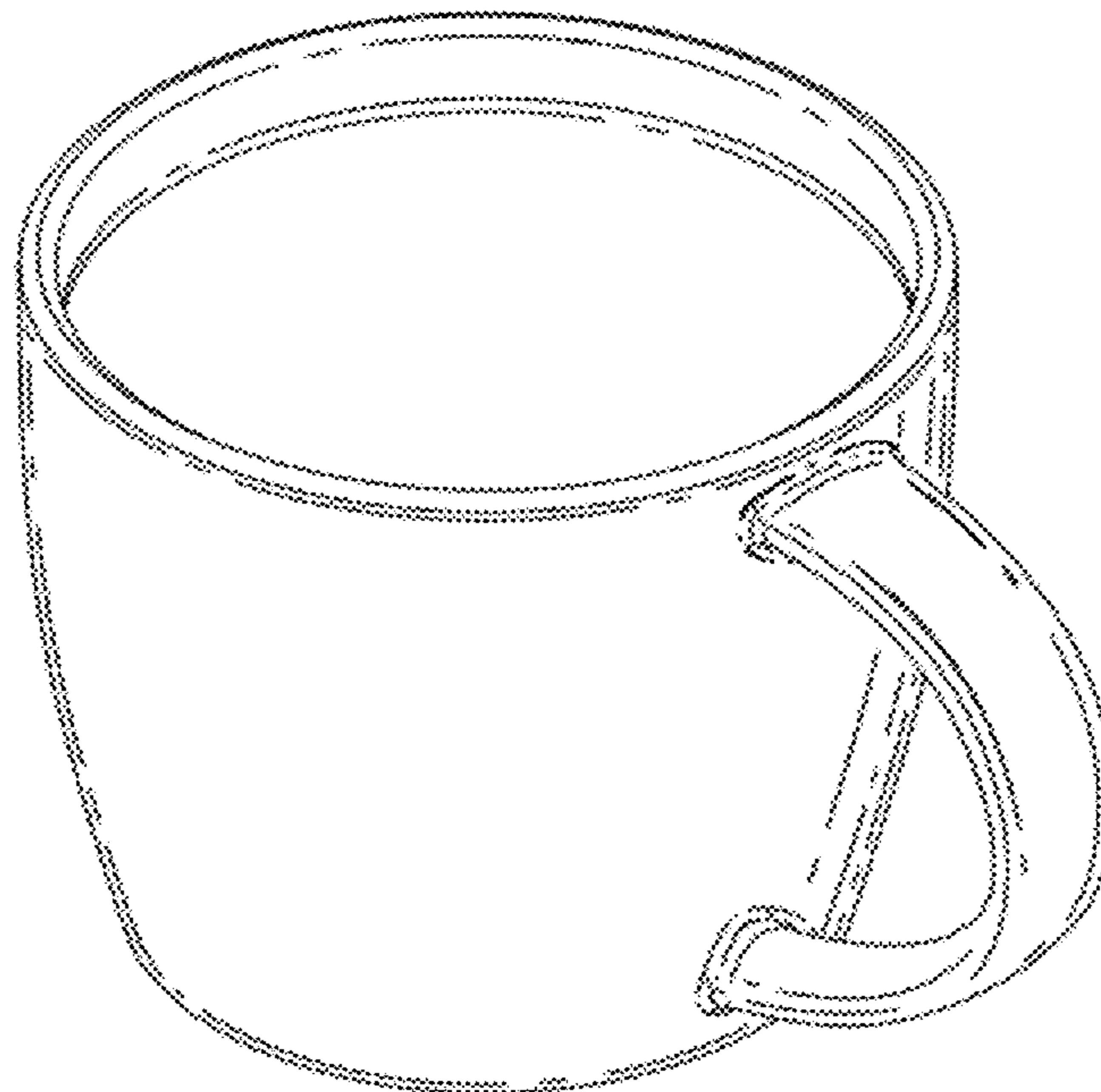
(57) **CLAIM**

The ornamental design for a cup, as shown and described herein.

DESCRIPTION

FIG. 1 is a perspective view of a first embodiment of a cup. FIG. 2 is a front side view of the cup shown in FIG. 1, the back side being substantially a mirror image of the front side view. FIG. 3 is a left side view of the cup shown in FIG. 1. FIG. 4 is a right side view of the cup shown in FIG. 1. FIG. 5 is a bottom plan view of the cup shown in FIG. 1. FIG. 6 is a top plan view of the cup shown in FIG. 1. FIG. 7 is a cross-sectional view of the cup shown in FIG. 1 taken along the line 7-7 shown in FIG. 6. FIG. 8 is a perspective view of the five embodiments of the cup shown in relation to one another. FIG. 9 is a perspective view of a second embodiment of a cup. FIG. 10 is a perspective view of a third embodiment of a cup. FIG. 11 is a perspective view of a fourth embodiment of a cup; and, FIG. 12 is a perspective view of a fifth embodiment of a cup.

1 Claim, 11 Drawing Sheets



US D658,946 S

Page 2

U.S. PATENT DOCUMENTS

D582,725 S	*	12/2008	Burns	D7/536	
D588,497 S	*	3/2009	Claffey	D11/157	
D606,809 S	*	12/2009	Fletcher	D7/514	* cited by examiner
D613,997 S	*	4/2010	Kingsley	D7/536	
D635,401 S	*	4/2011	DelVecchio	D7/536	

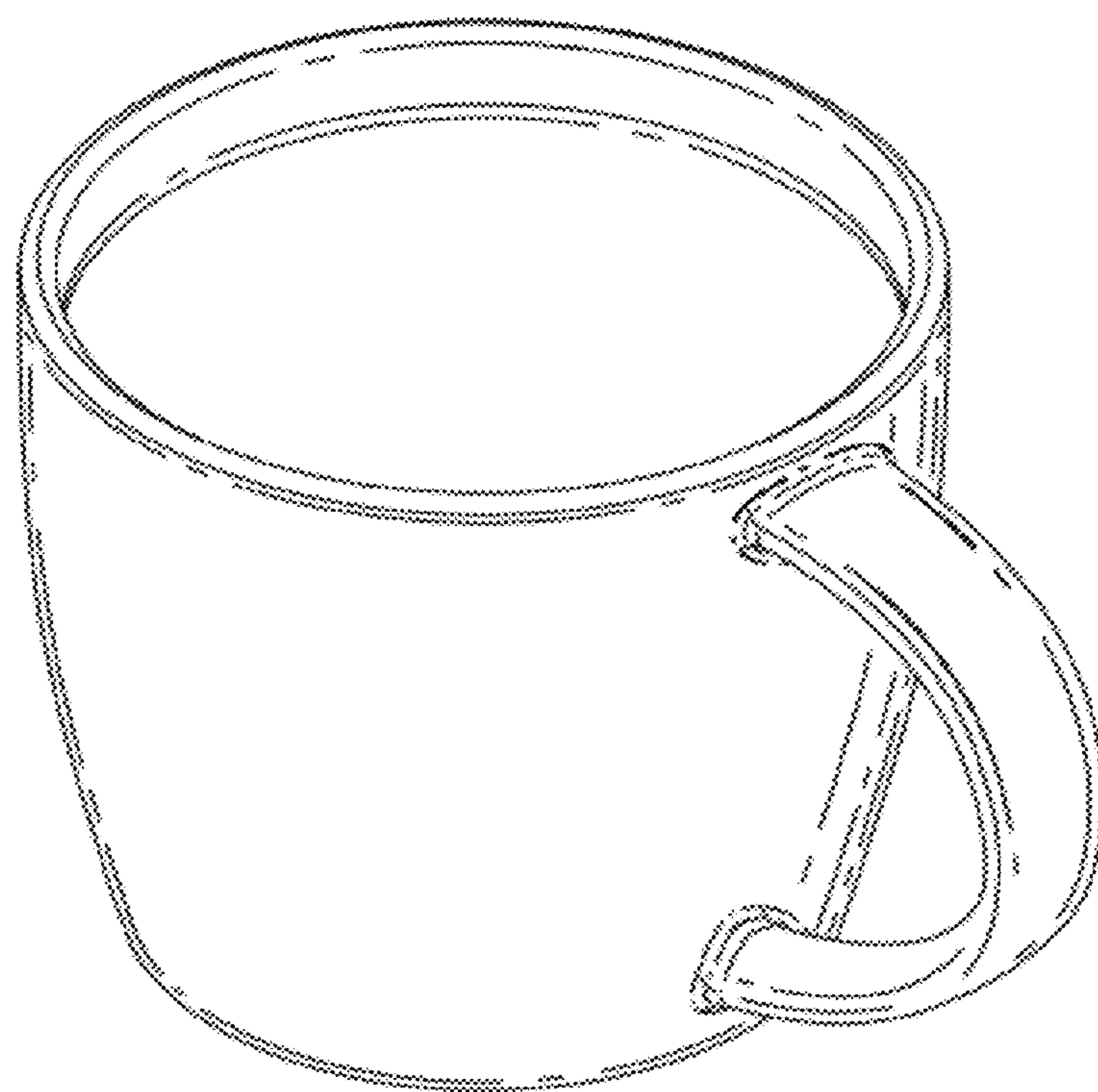


FIG. 1

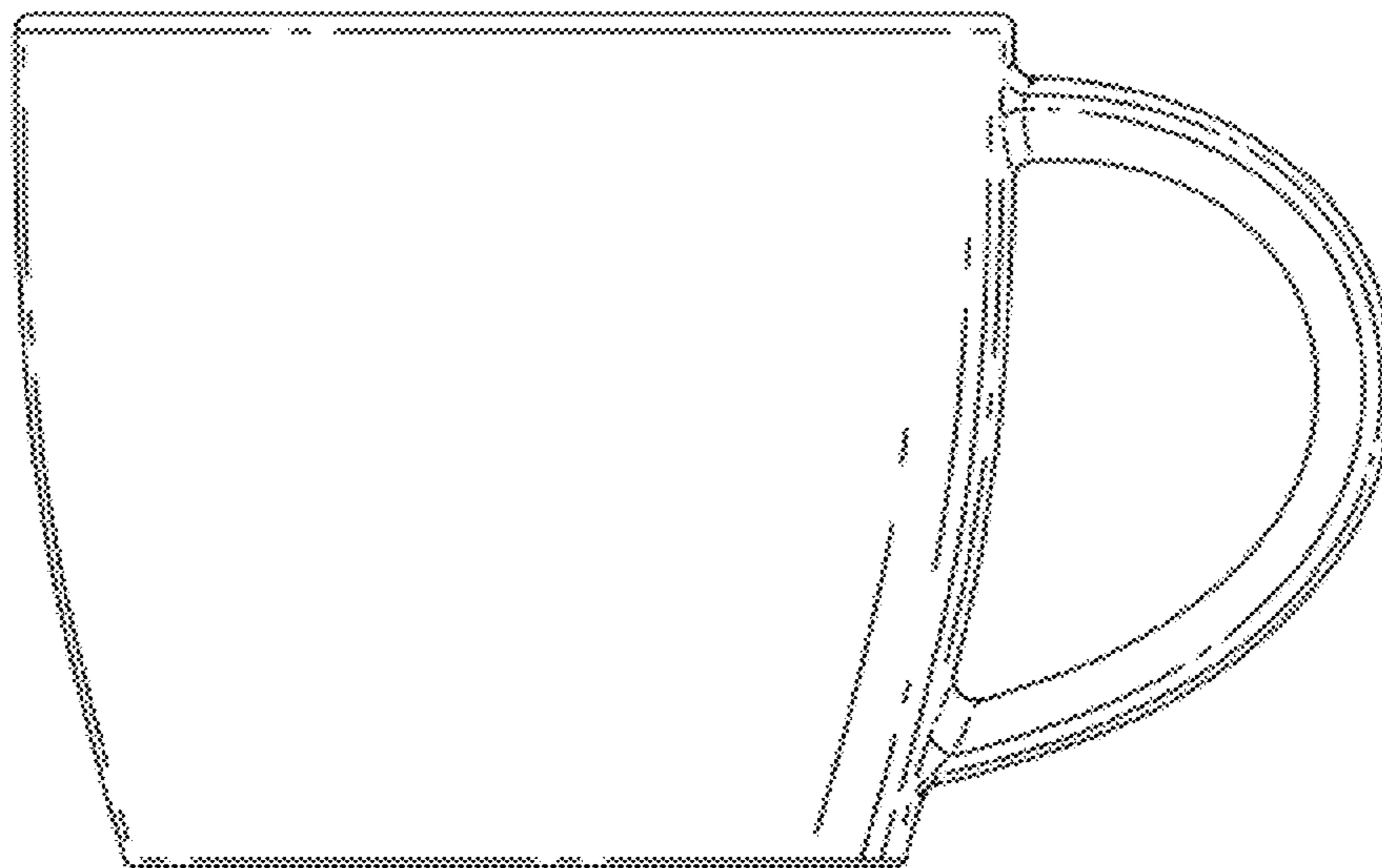


FIG. 2

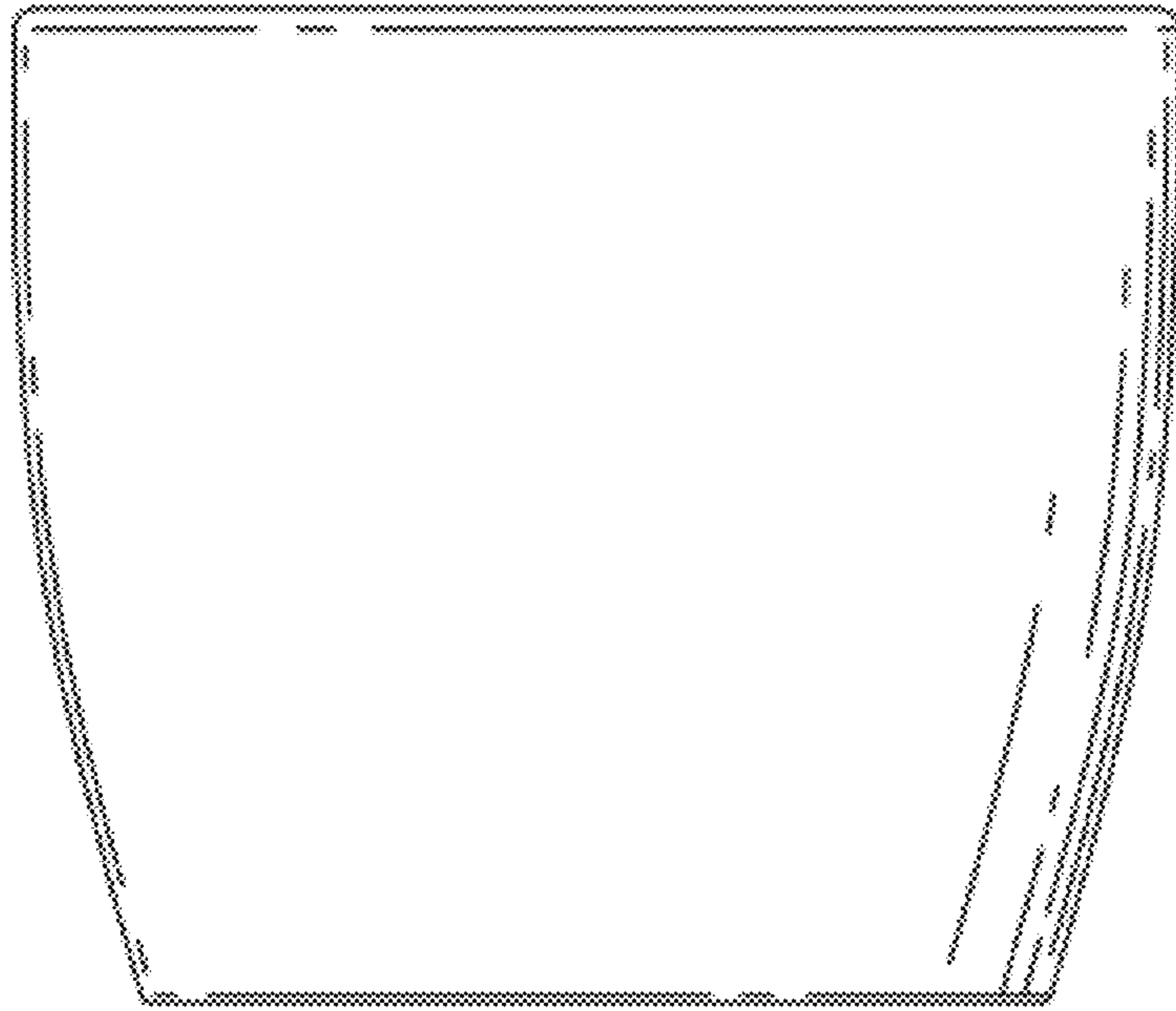


FIG. 3

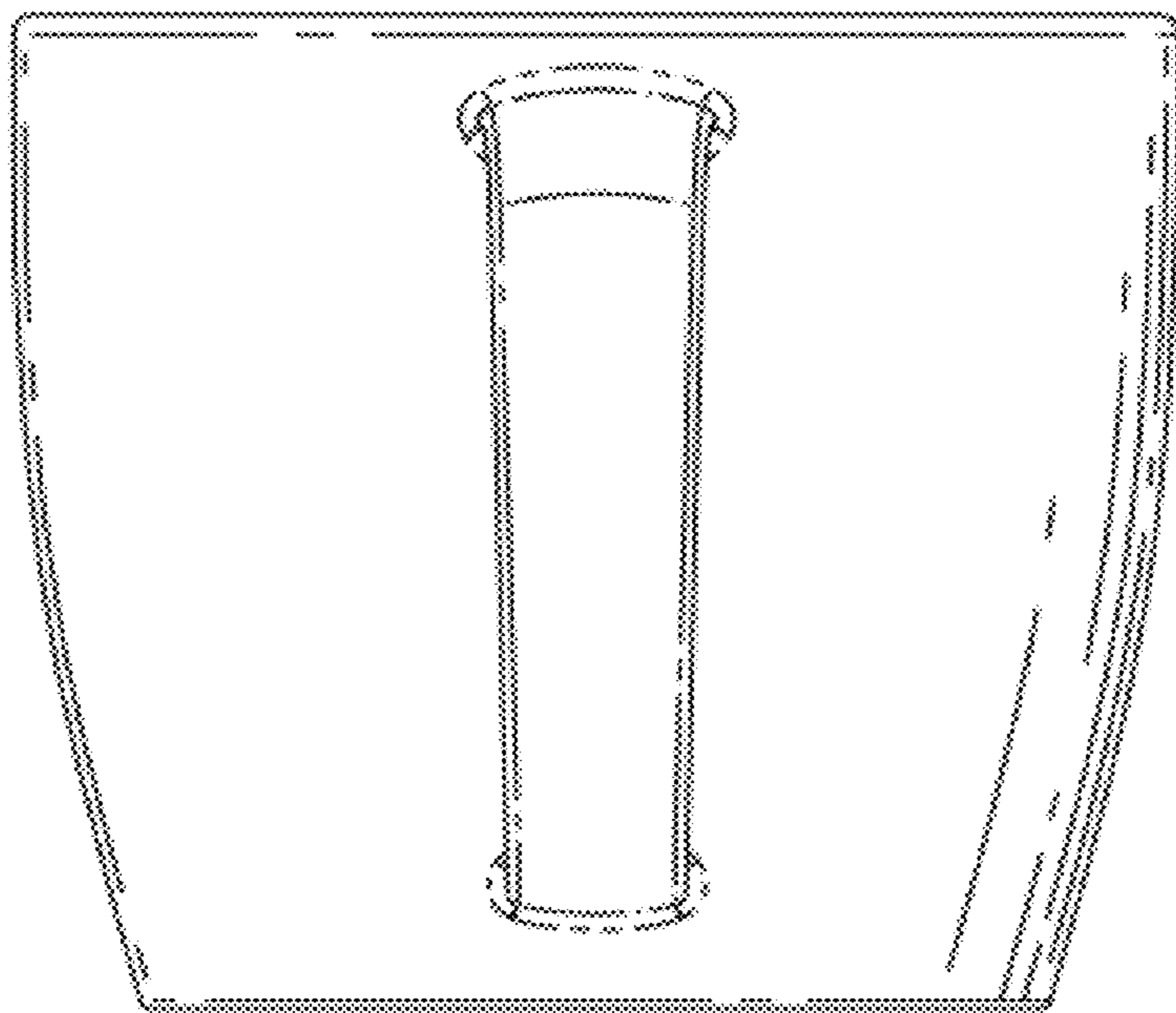


FIG. 4

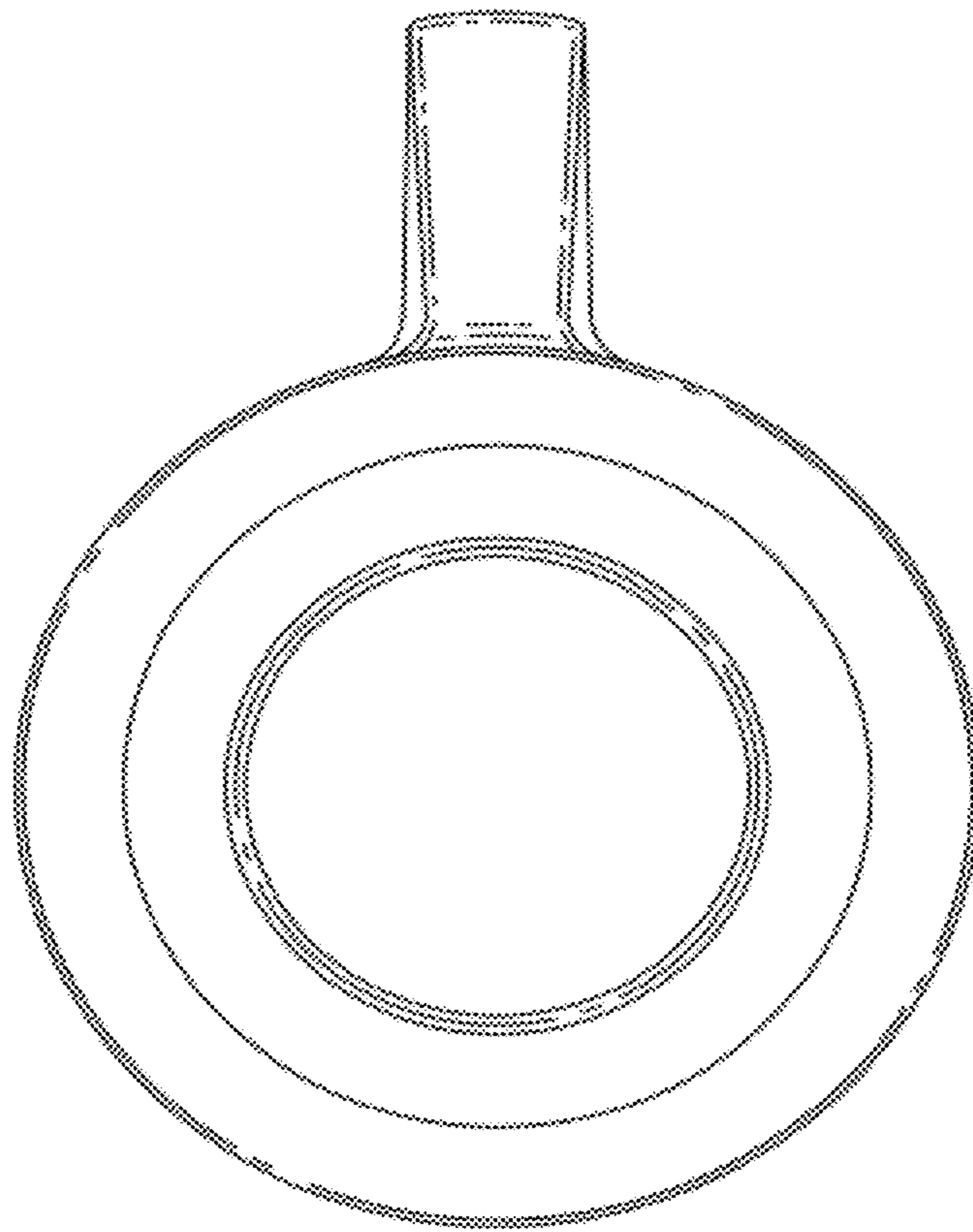


FIG. 5

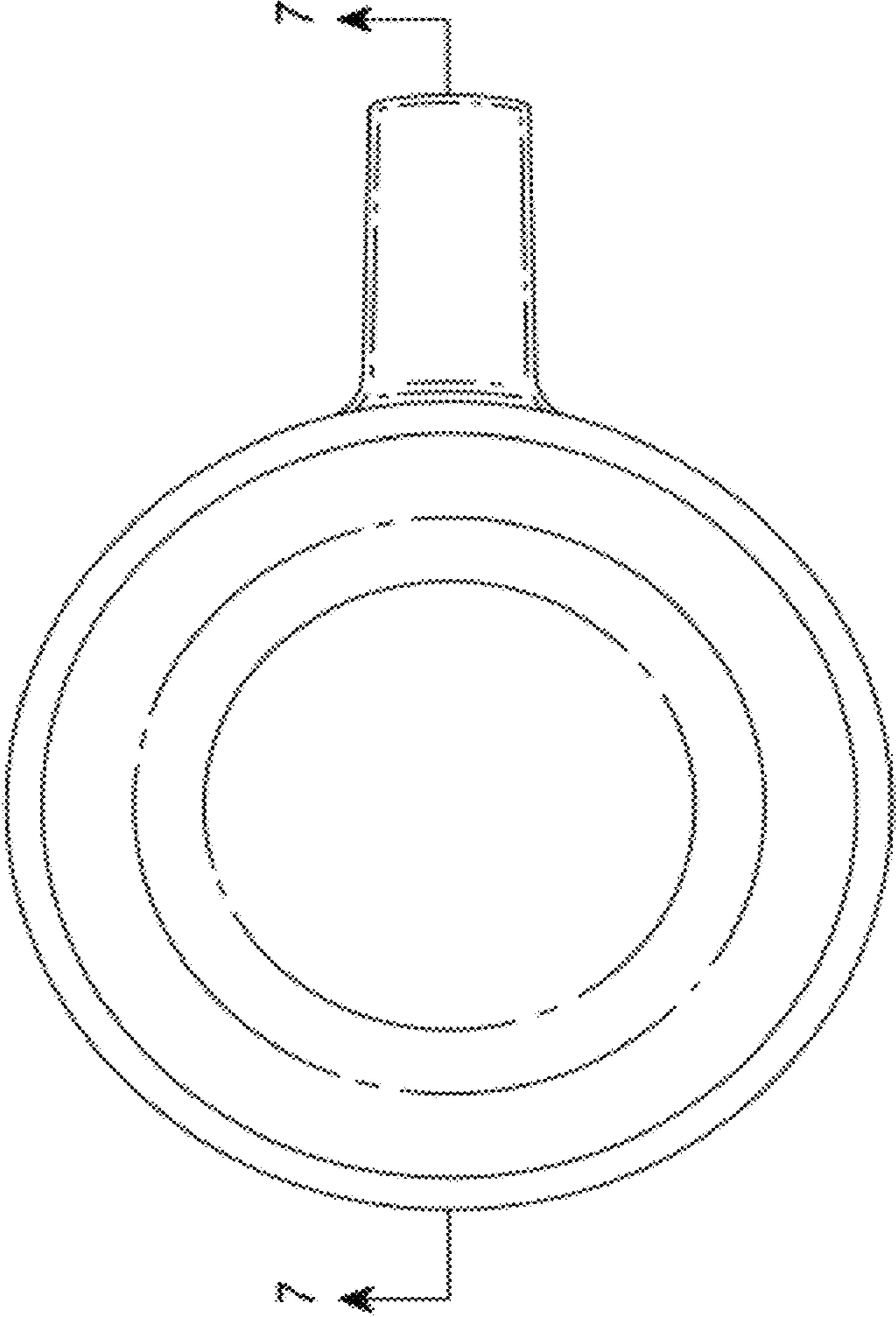


FIG.6

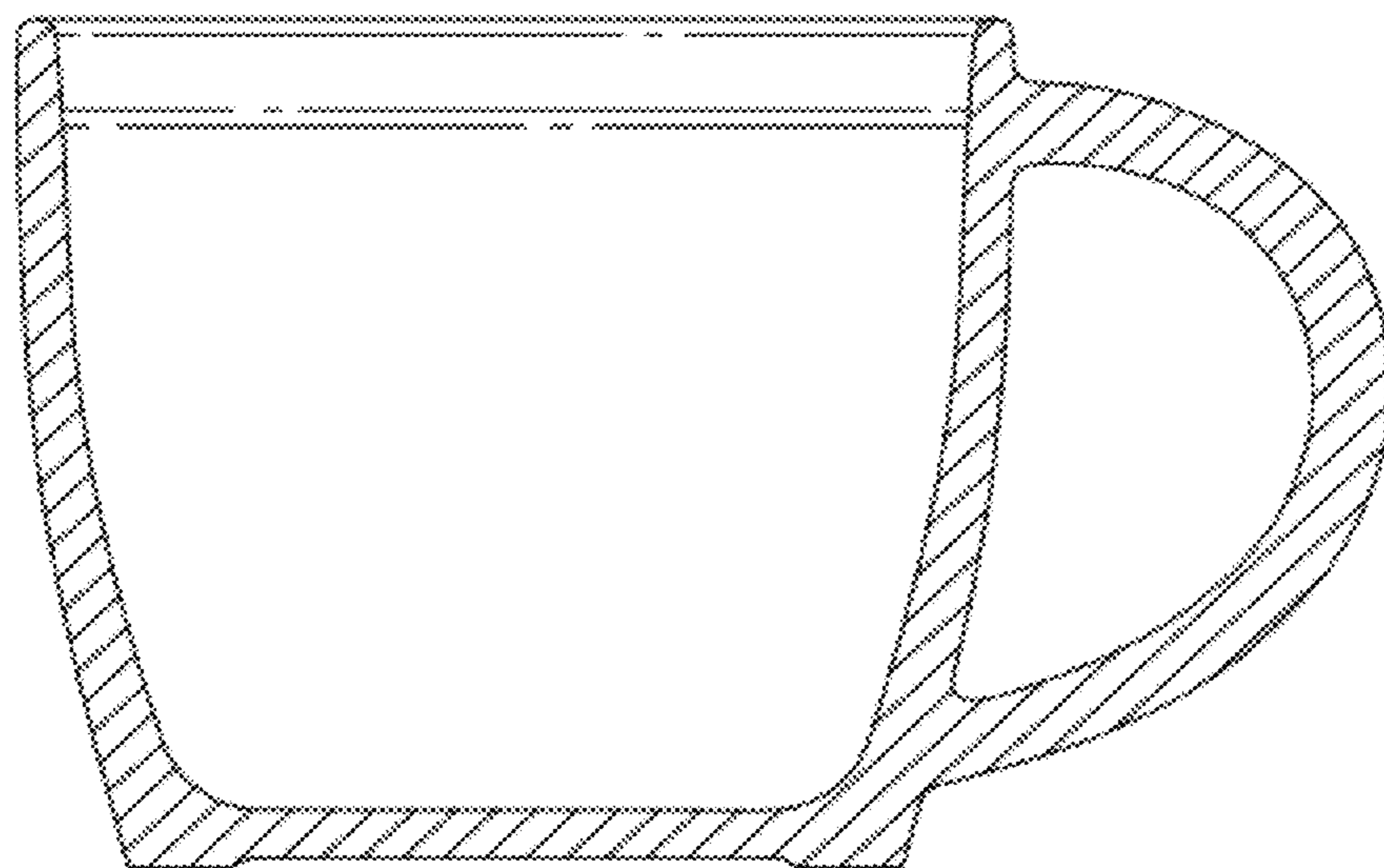


FIG. 7

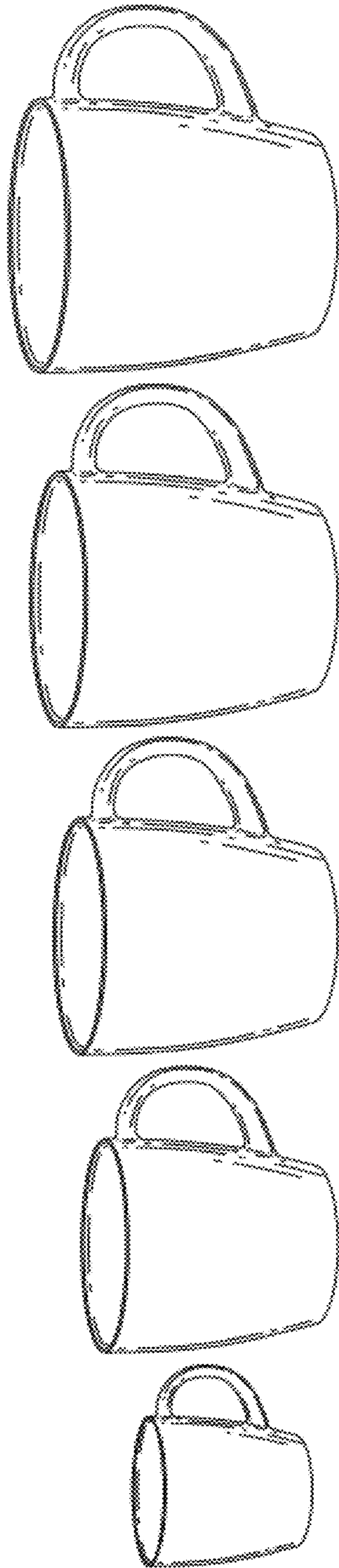


FIG. 8

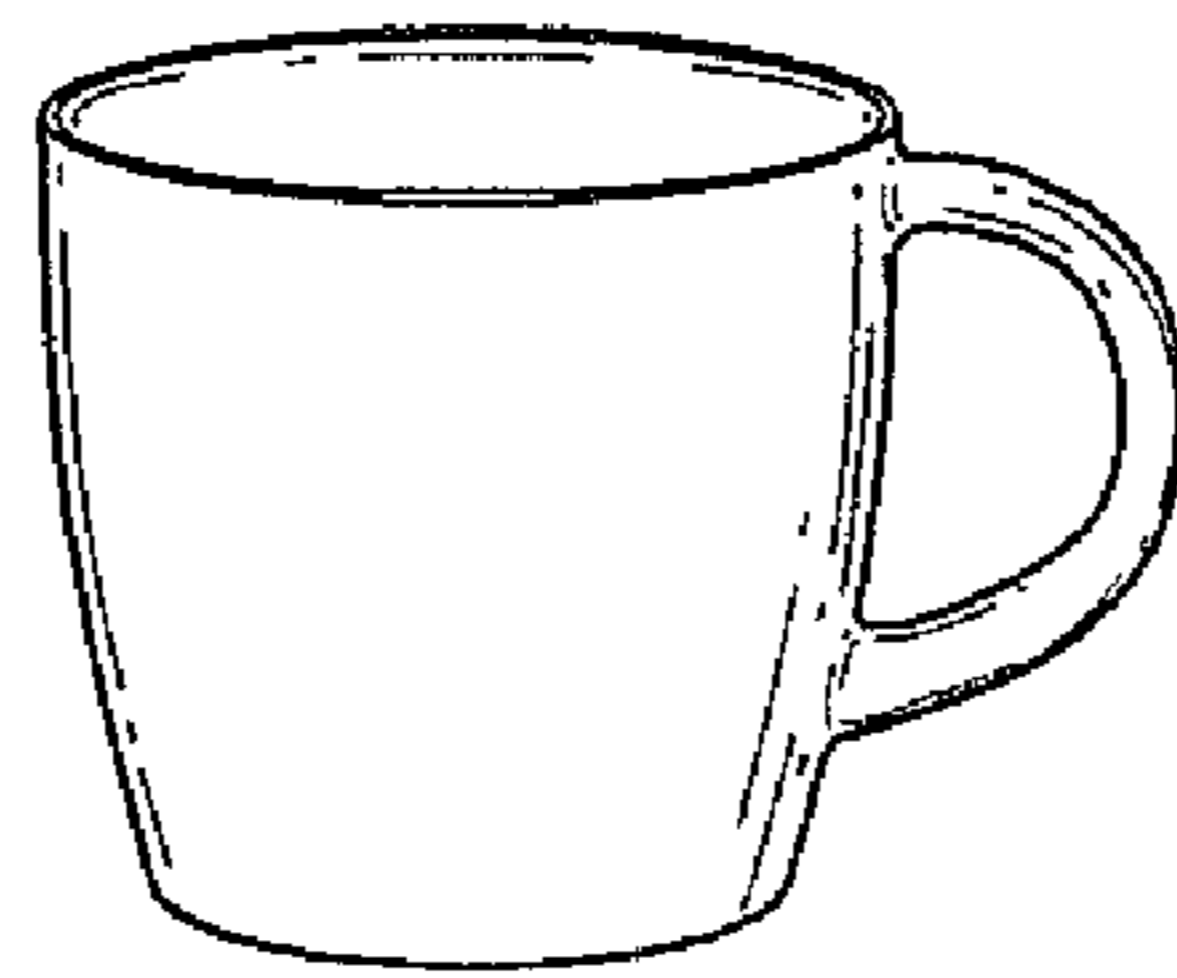


FIG. 9

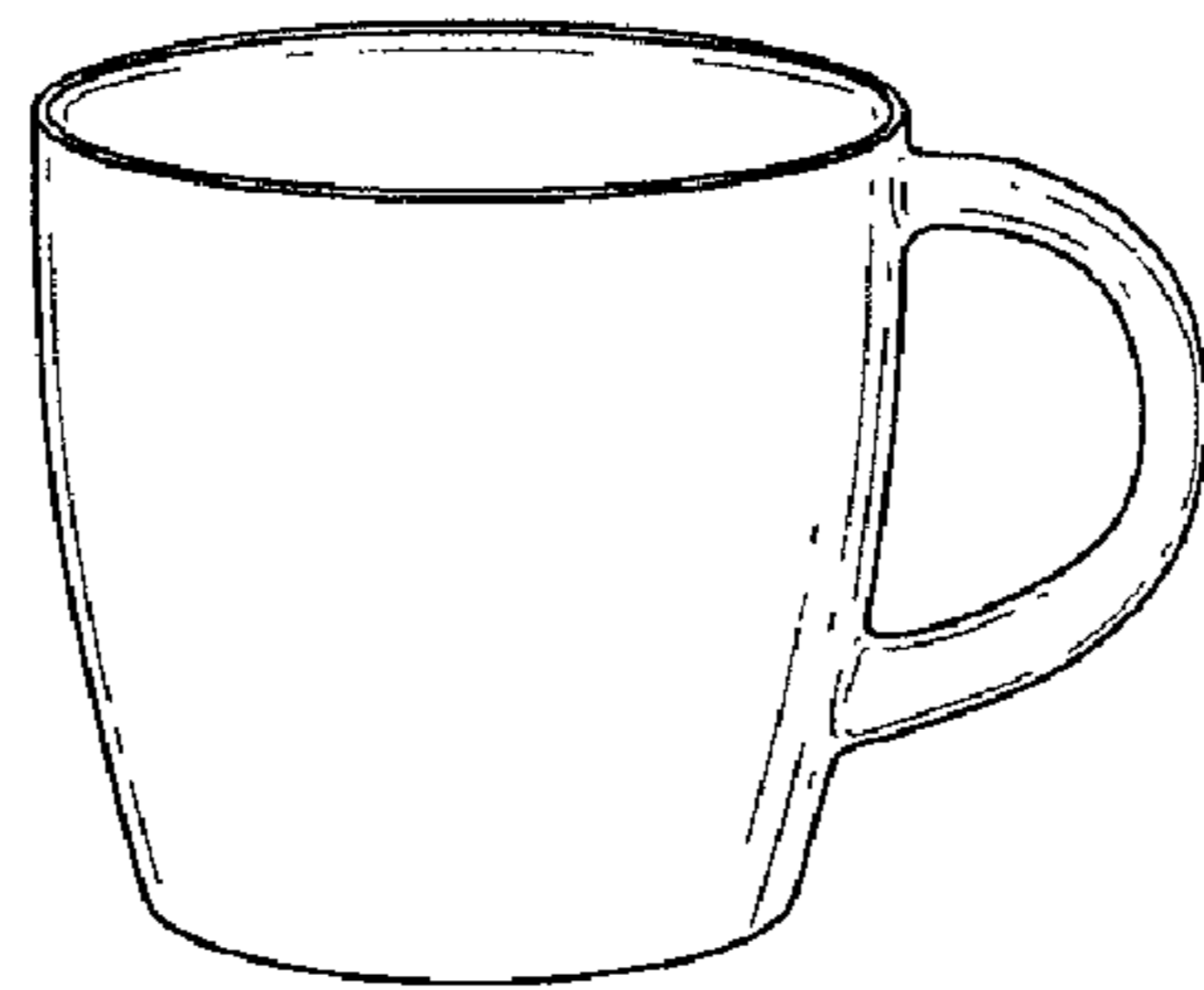


FIG. 10

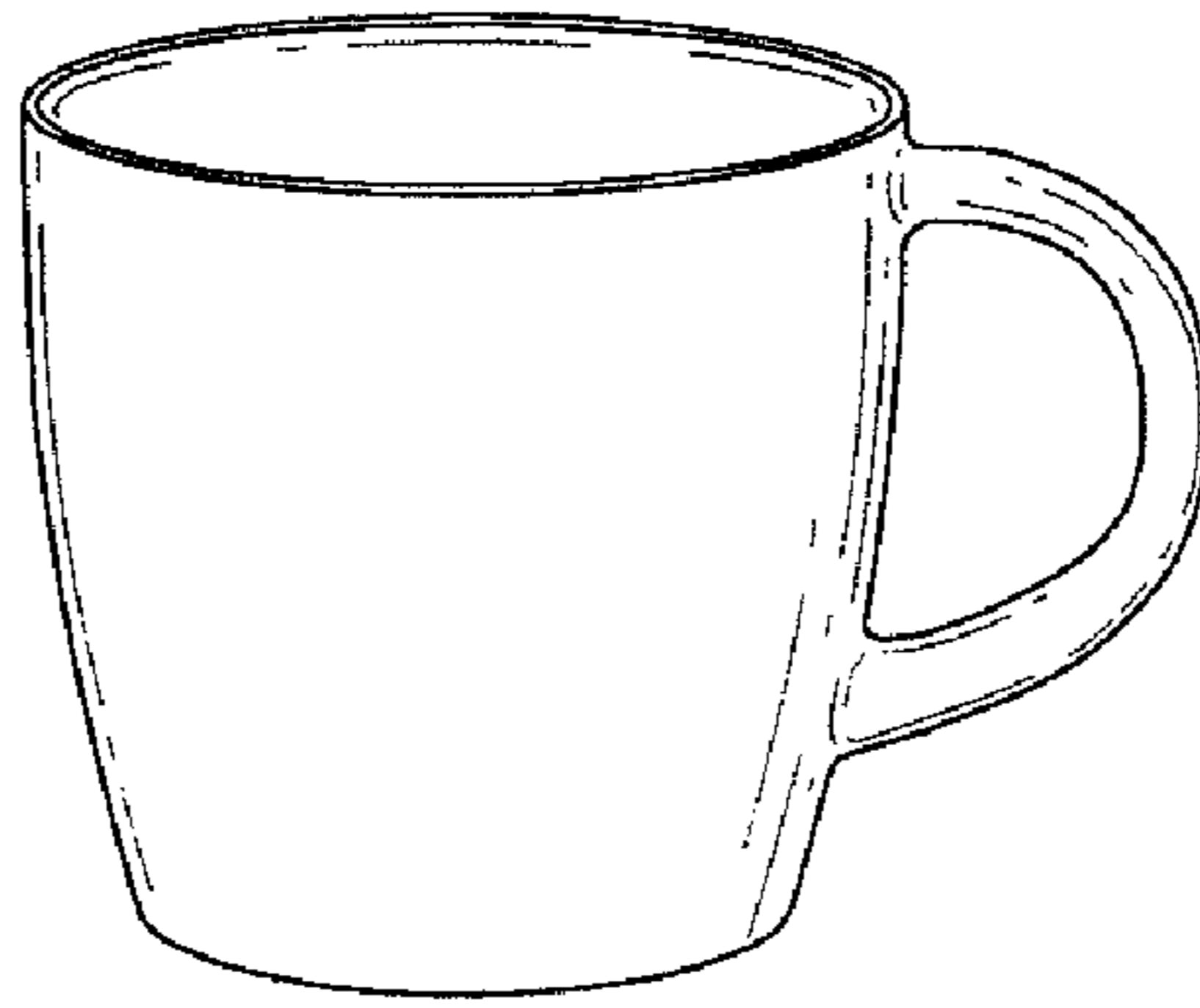


FIG. 11

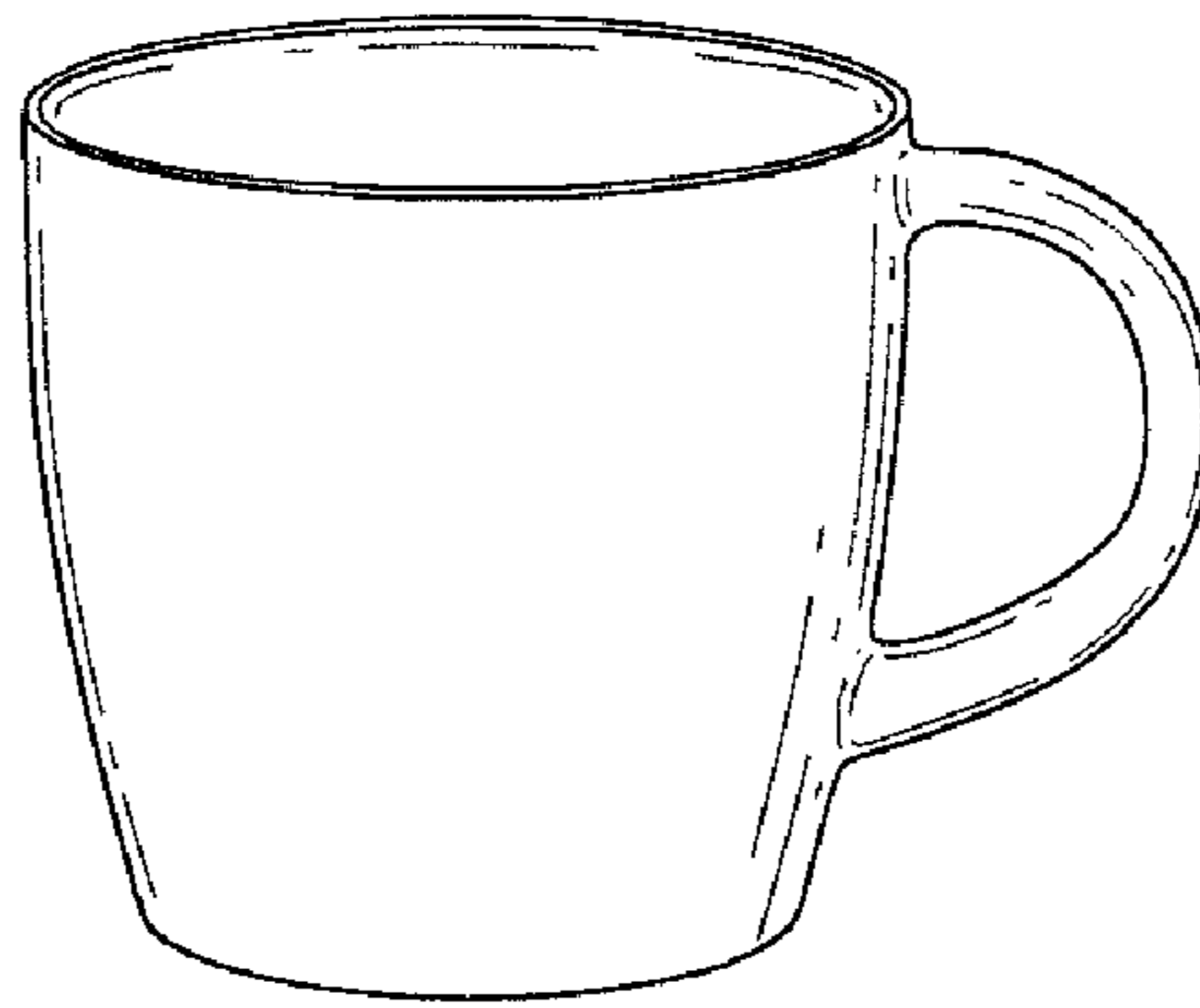


FIG. 12