



US00D658945S

(12) **United States Design Patent**  
**Fawcett**

(10) **Patent No.:** **US D658,945 S**

(45) **Date of Patent:** **\*\* May 8, 2012**

(54) **CHILD'S DRINKING CONTAINER**

(76) Inventor: **Bradley Fawcett**, Newbury, OH (US)

(\*\*) Term: **14 Years**

(21) Appl. No.: **29/403,935**

(22) Filed: **Oct. 12, 2011**

**Related U.S. Application Data**

(62) Division of application No. 29/377,375, filed on Oct. 20, 2010, now Pat. No. Des. 649,404.

(51) **LOC (9) Cl.** ..... **07-01**

(52) **U.S. Cl.** ..... **D7/515; D21/411; D7/510; D24/198**

(58) **Field of Classification Search** ..... D7/514,  
D7/515, 510, 511, 533, 536; D24/198; D21/411;  
D9/665; 220/DIG. 13, 703; 215/382  
See application file for complete search history.

(56) **References Cited**

**U.S. PATENT DOCUMENTS**

D21,736 S *	7/1892	Thuemler	.....	D9/665
D120,672 S *	5/1940	Harris	.....	D9/665
D165,946 S *	2/1952	Thompson	.....	D21/411
D212,921 S *	12/1968	Bloomberg	.....	D24/198
D247,408 S *	3/1978	Ventura	.....	D7/515
D264,416 S *	5/1982	Urda et al.	.....	D7/515
D264,417 S *	5/1982	Urda et al.	.....	D7/515
D273,404 S *	4/1984	Takahashi	.....	D21/411
D293,534 S *	1/1988	Bolich	.....	D7/511
D300,402 S *	3/1989	Tardel et al.	.....	D7/515
D303,431 S *	9/1989	Brown	.....	D24/198
D310,568 S *	9/1990	Chapin	.....	D24/198

D318,921 S *	8/1991	Chapin	.....	D24/198
D326,158 S *	5/1992	Katz et al.	.....	D24/198
D428,656 S *	7/2000	Alexander et al.	.....	D24/197
6,439,419 B1 *	8/2002	Darabi	.....	220/703
D489,785 S *	5/2004	Kim	.....	D21/812
D567,024 S *	4/2008	Yeh	.....	D7/515
D609,968 S *	2/2010	Stern	.....	D7/510
D649,404 S *	11/2011	Fawcett	.....	D7/515

\* cited by examiner

*Primary Examiner* — Marianne Pandozzi

(74) *Attorney, Agent, or Firm* — Ulmer & Berne LLP

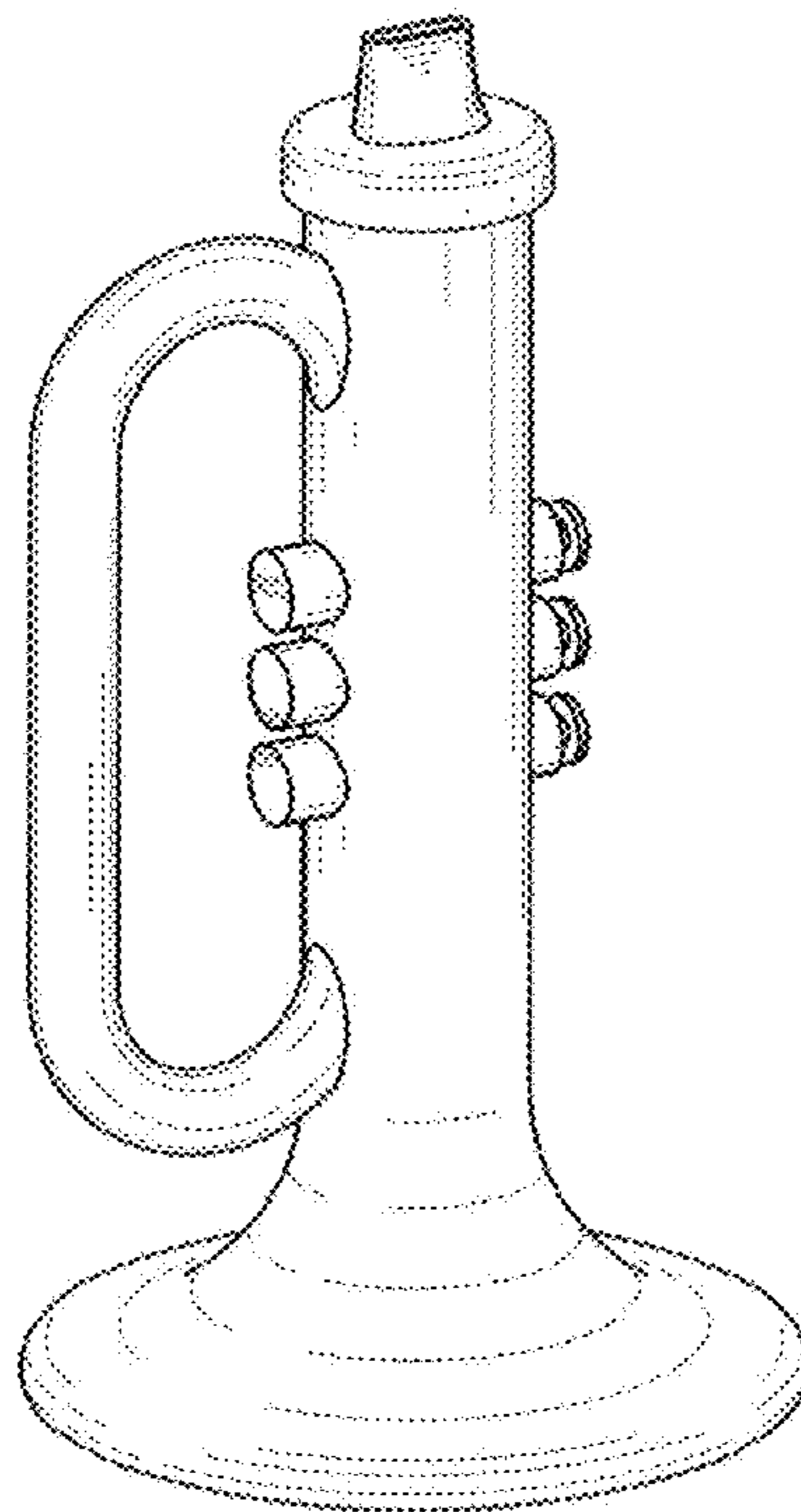
(57) **CLAIM**

The ornamental design for a child's drinking container, as shown and described.

**DESCRIPTION**

FIG. 1 is a perspective view of a child's drinking container showing my new design;  
 FIG. 2 is a right-side elevation view of the child's drinking container of FIG. 1;  
 FIG. 3 is a left-side elevation view of the child's drinking container of FIG. 1;  
 FIG. 4 is a front elevation view of the child's drinking container of FIG. 1;  
 FIG. 5 is a rear elevation view of the child's drinking container of FIG. 1;  
 FIG. 6 is a top plan view of the child's drinking container of FIG. 1; and,  
 FIG. 7 is a bottom view of the child's drinking container of FIG. 1.

**1 Claim, 3 Drawing Sheets**



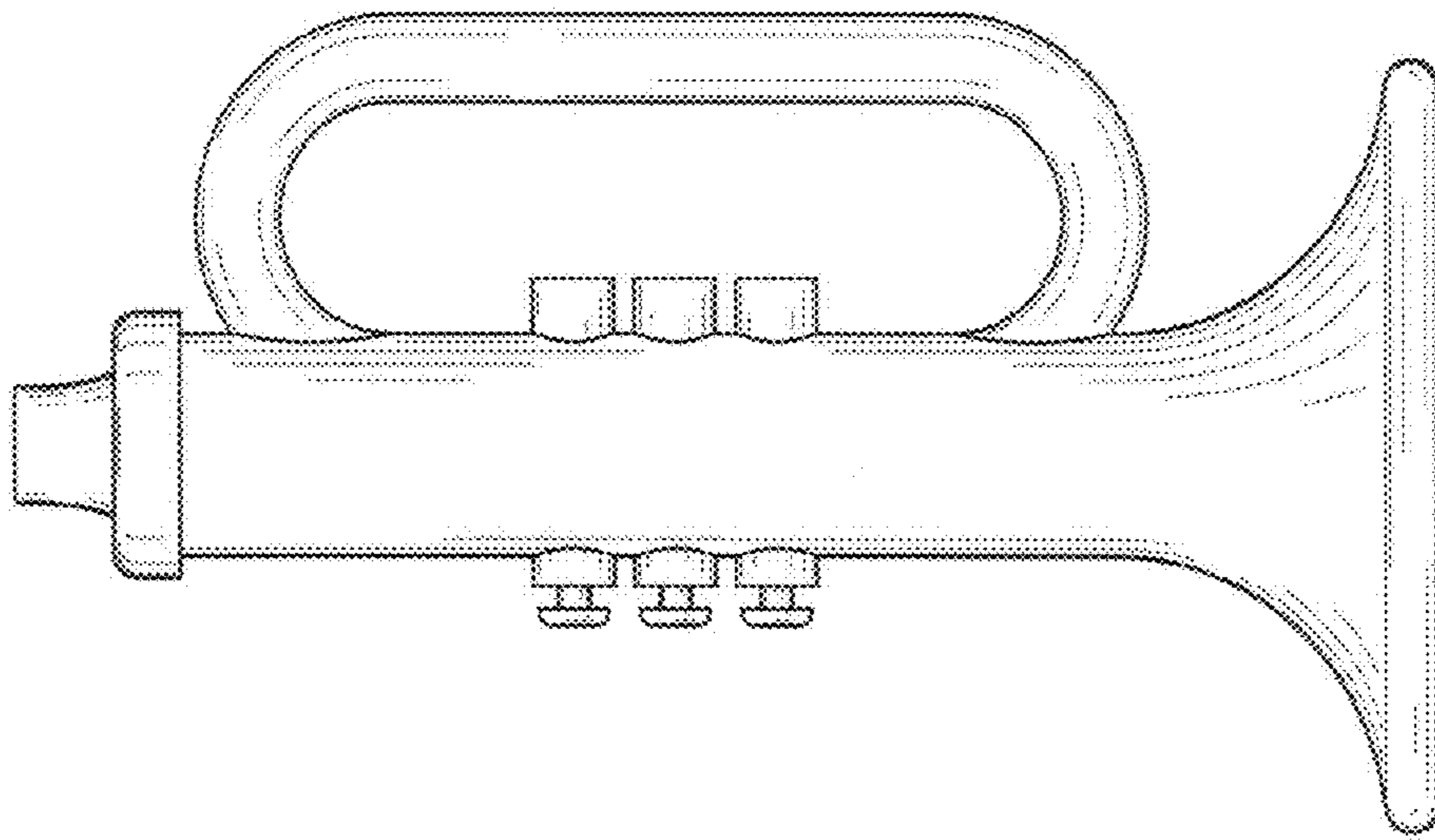


Fig. 3

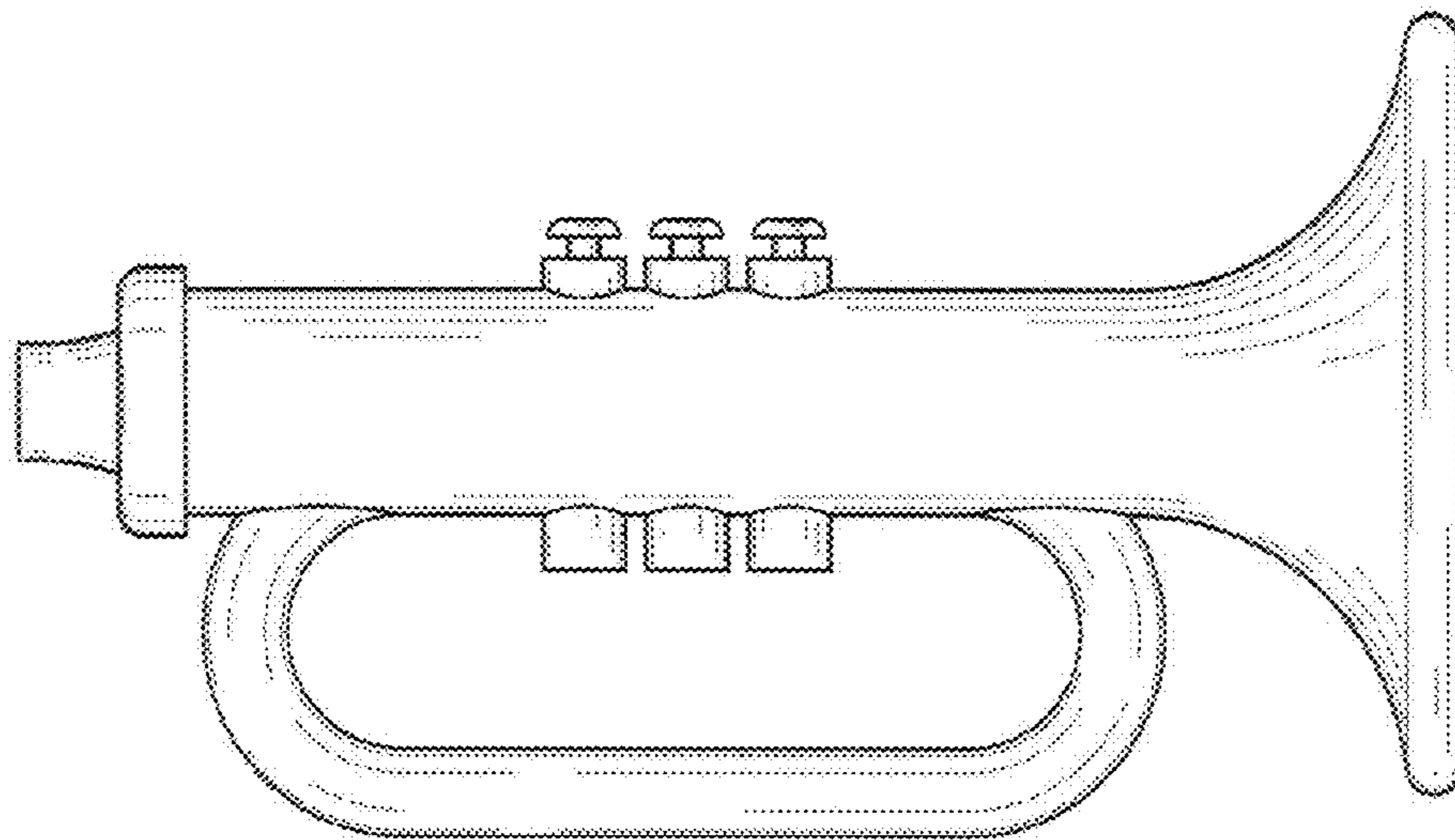


Fig. 2

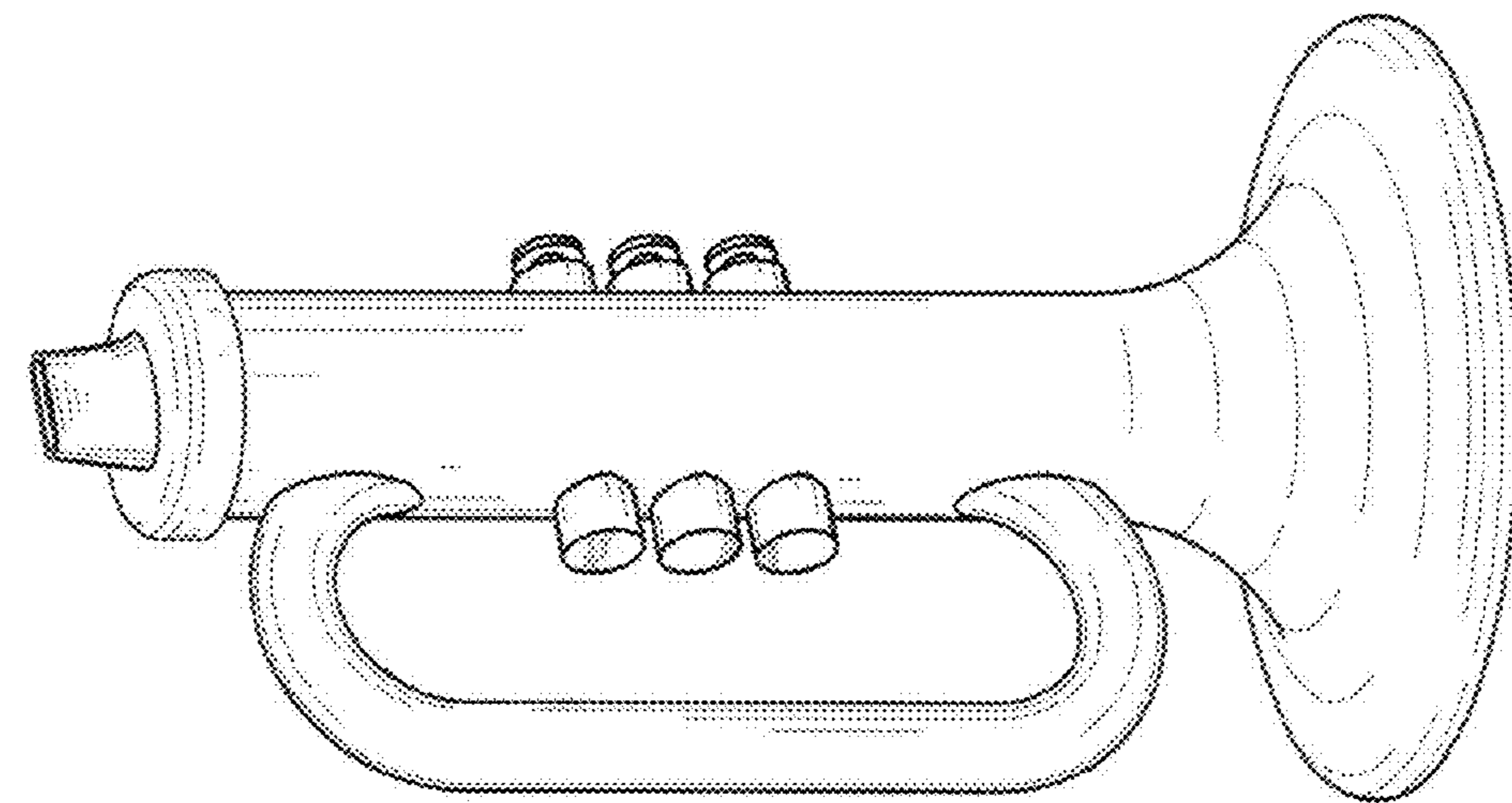


Fig. 1

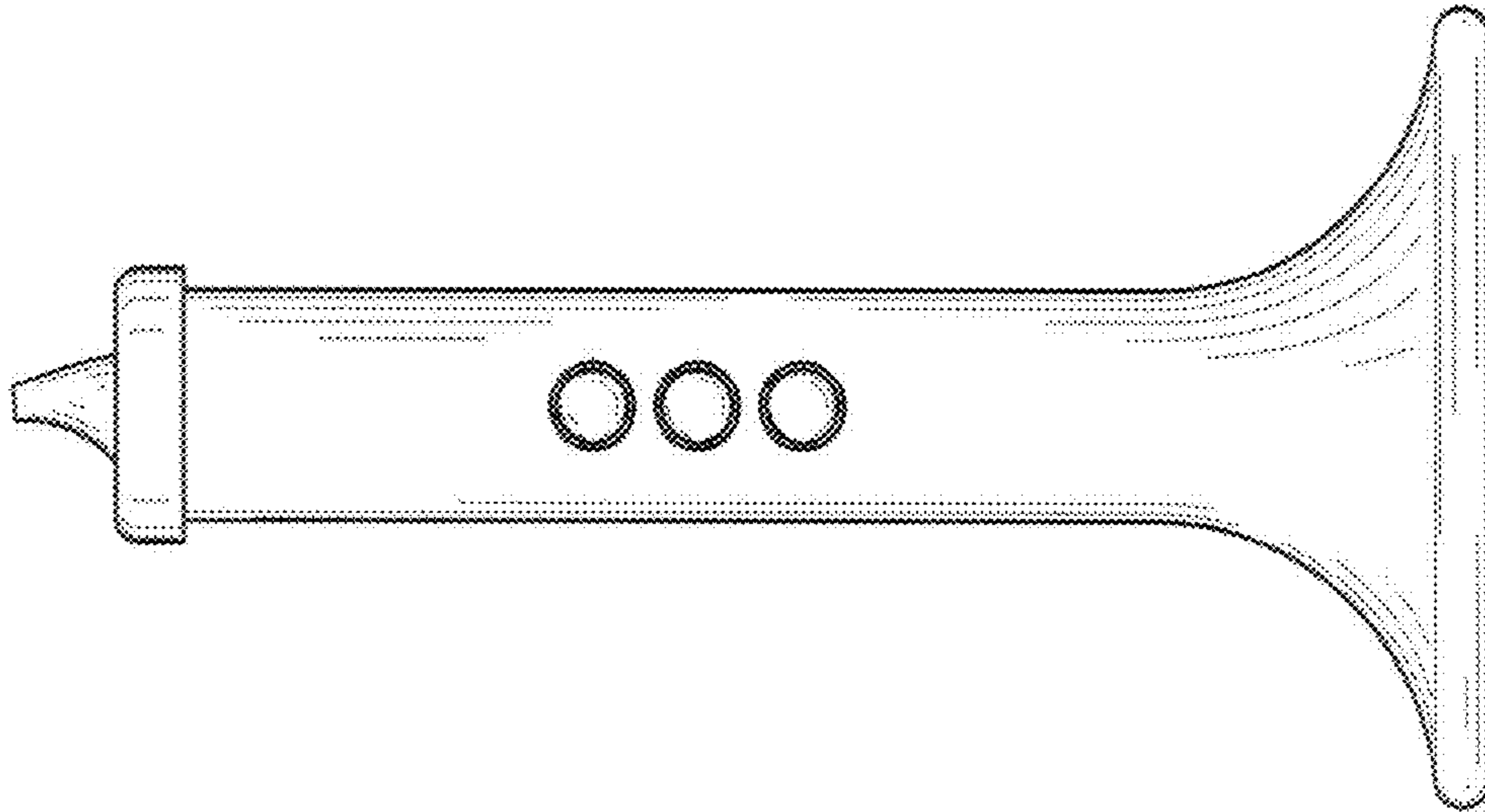


Fig. 5

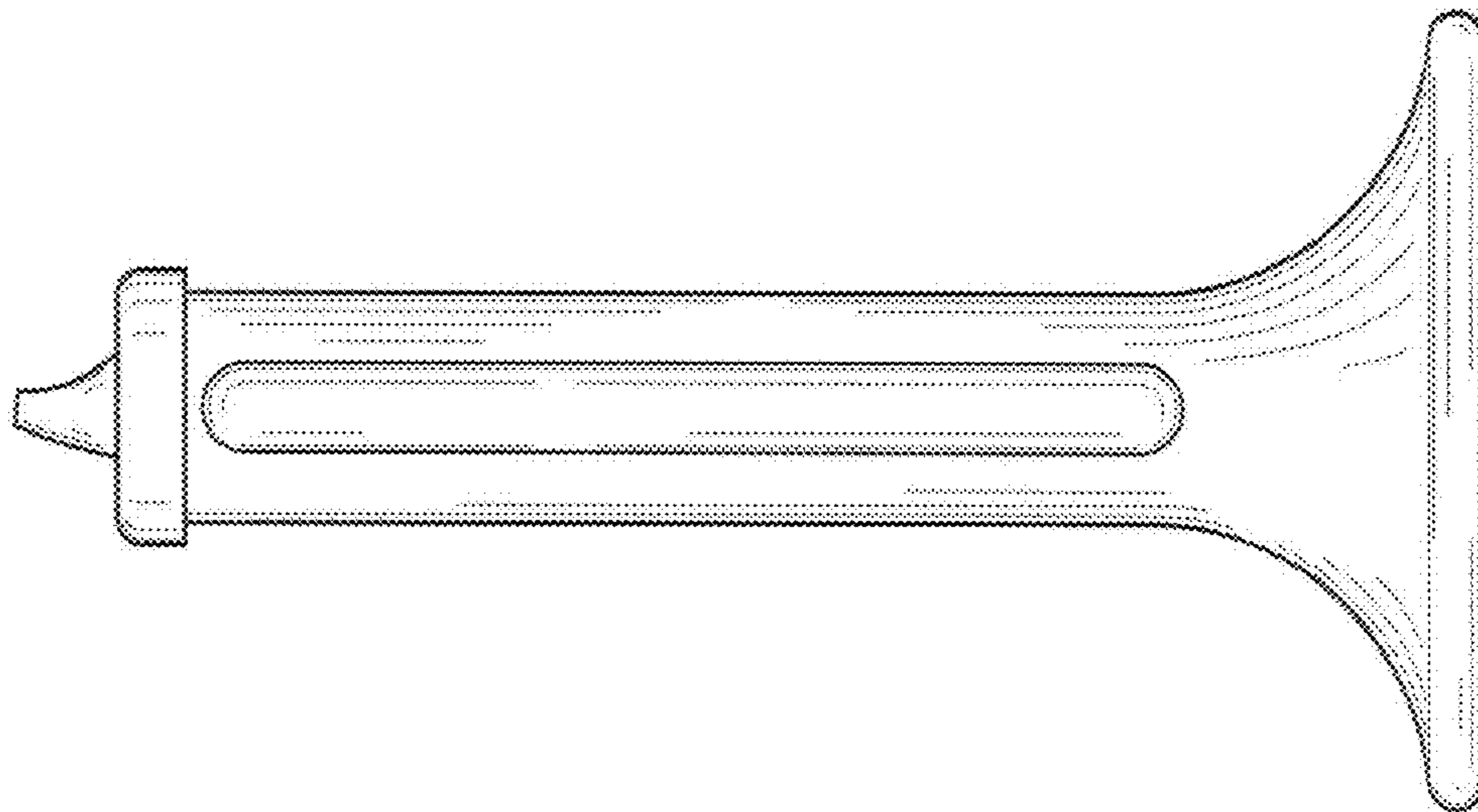


Fig. 4

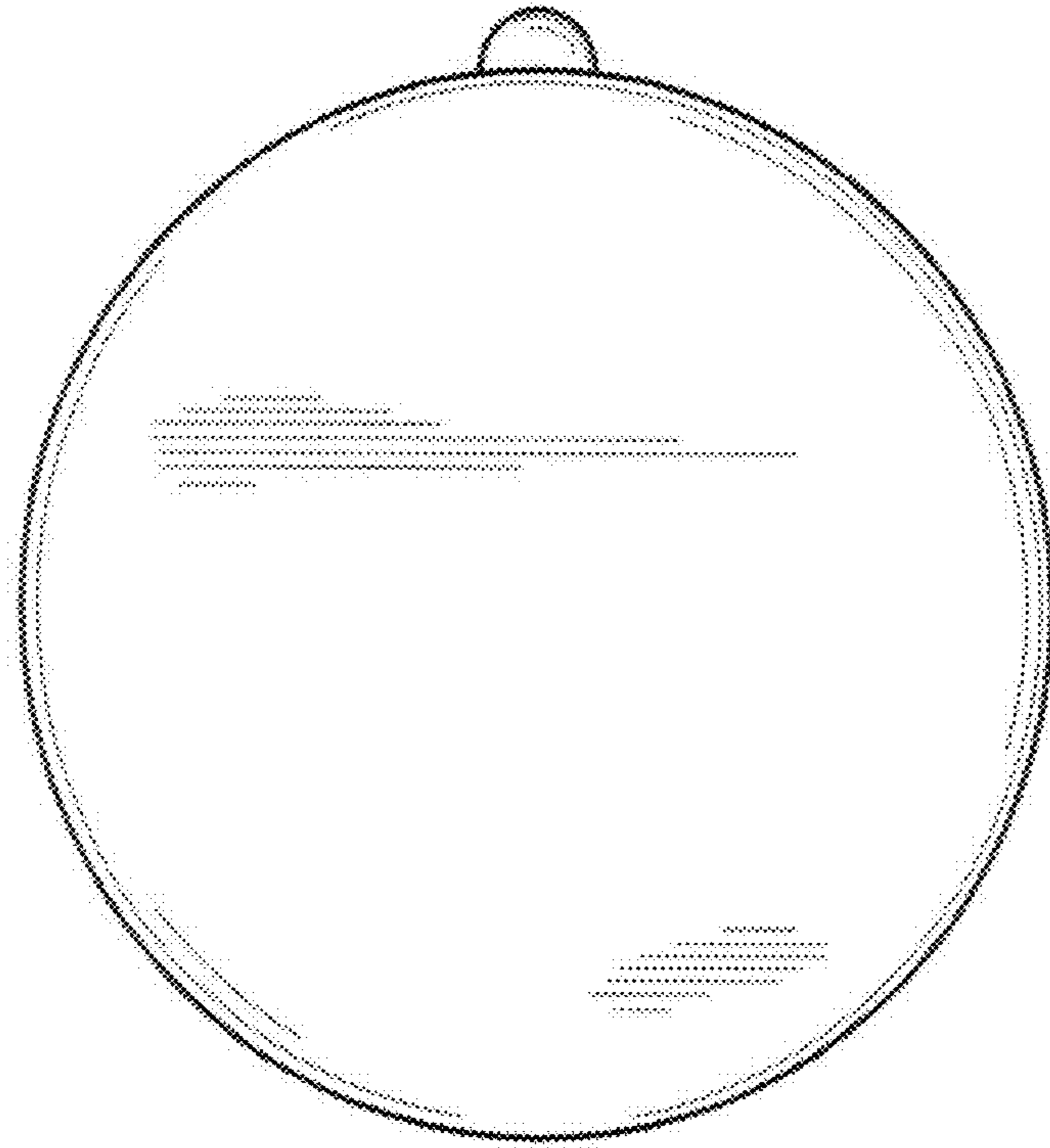


Fig. 7

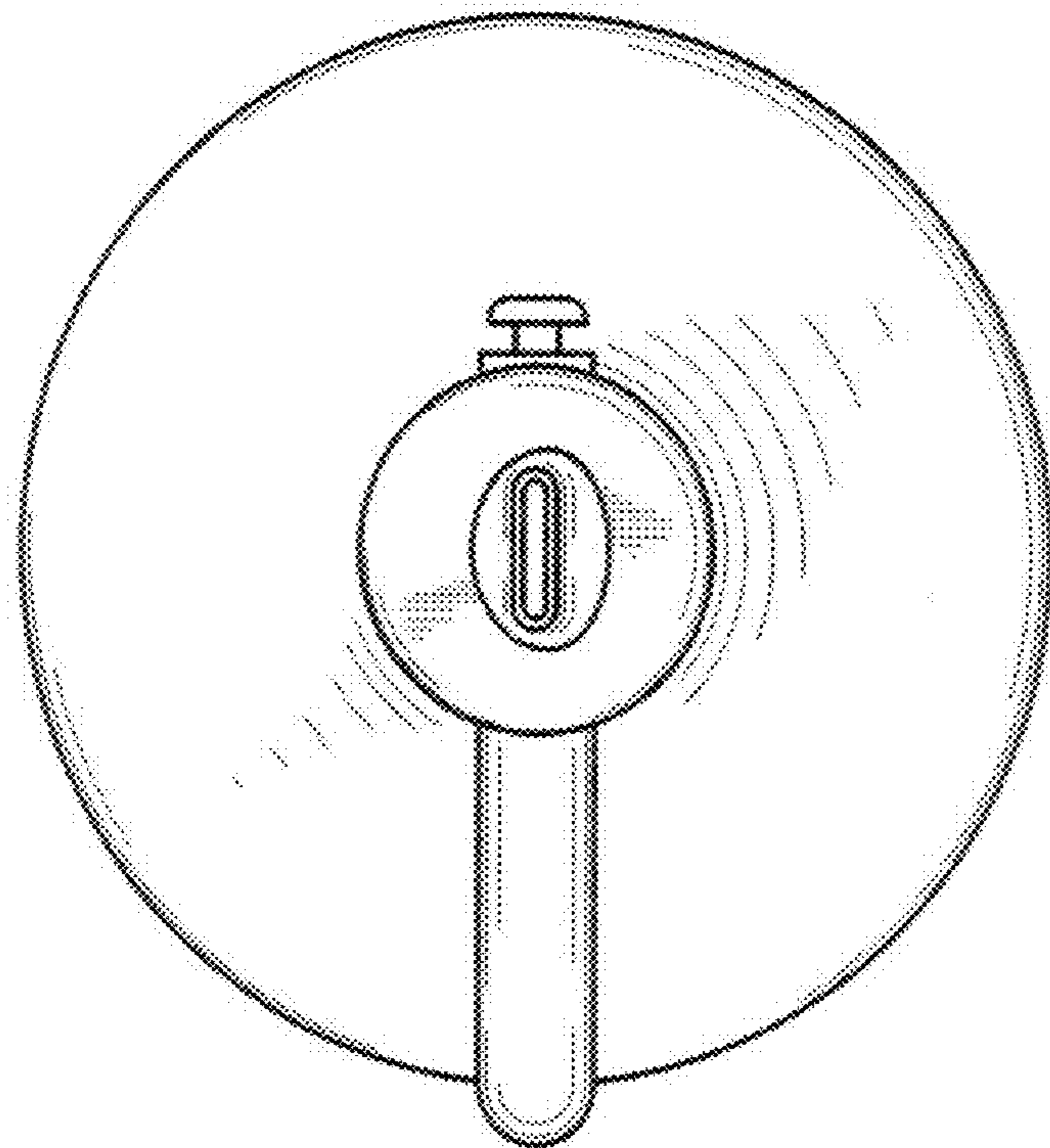


Fig. 6