



US00D658943S

(12) **United States Design Patent**
Galinski

(10) **Patent No.:** **US D658,943 S**

(45) **Date of Patent:** **** May 8, 2012**

(54) **CONTAINER SET**

(75) Inventor: **Andrea Galinski**, Racine, WI (US)

(73) Assignee: **Chelsea & Scott, Ltd.**, Lake Bluff, IL (US)

(**) Term: **14 Years**

(21) Appl. No.: **29/379,493**

(22) Filed: **Nov. 19, 2010**

(51) **LOC (9) Cl.** **07-01**

(52) **U.S. Cl.** **D7/505; D7/507; D7/614**

(58) **Field of Classification Search** D7/368,
D7/323, 505, 507, 614; D28/77; D6/397;
220/23.4, 4.27; 211/77; D3/901

See application file for complete search history.

(56) **References Cited**

U.S. PATENT DOCUMENTS

D96,450	S	*	8/1935	Daum	D7/505
2,217,644	A	*	10/1940	Conner	220/23.4
2,547,716	A	*	4/1951	Murphy	206/562
2,728,484	A	*	12/1955	Farrington	206/196
D183,379	S	*	8/1958	Alley	D28/77
D222,498	S	*	10/1971	Gould	D7/614
3,848,766	A	*	11/1974	Gantt et al.	206/139
4,196,807	A	*	4/1980	Brom	206/427
D255,083	S	*	5/1980	Kott	D7/633
D286,968	S	*	12/1986	Gecchelin	D7/614

D311,115	S	*	10/1990	Abraham	D7/708
D315,297	S	*	3/1991	Campbell	D9/721
5,062,531	A	*	11/1991	Coy	206/564
D330,513	S	*	10/1992	Gilchrist	D7/703
5,979,646	A	*	11/1999	Strachan	206/217
D423,864	S	*	5/2000	Chang et al.	D7/323
D583,625	S	*	12/2008	Martinez et al.	D7/507
D588,407	S	*	3/2009	Martinez et al.	D7/505
7,562,787	B2	*	7/2009	Serrano	220/507

* cited by examiner

Primary Examiner — Marianne Pandozzi

(57) **CLAIM**

The ornamental design for a container set, as shown and described.

DESCRIPTION

FIG. 1 is a perspective view of a container set showing my new design;

FIG. 2 is an exploded perspective view of a container set;

FIG. 3 is a right side view of the container set, the left side view (omitted) being a mirror image thereof;

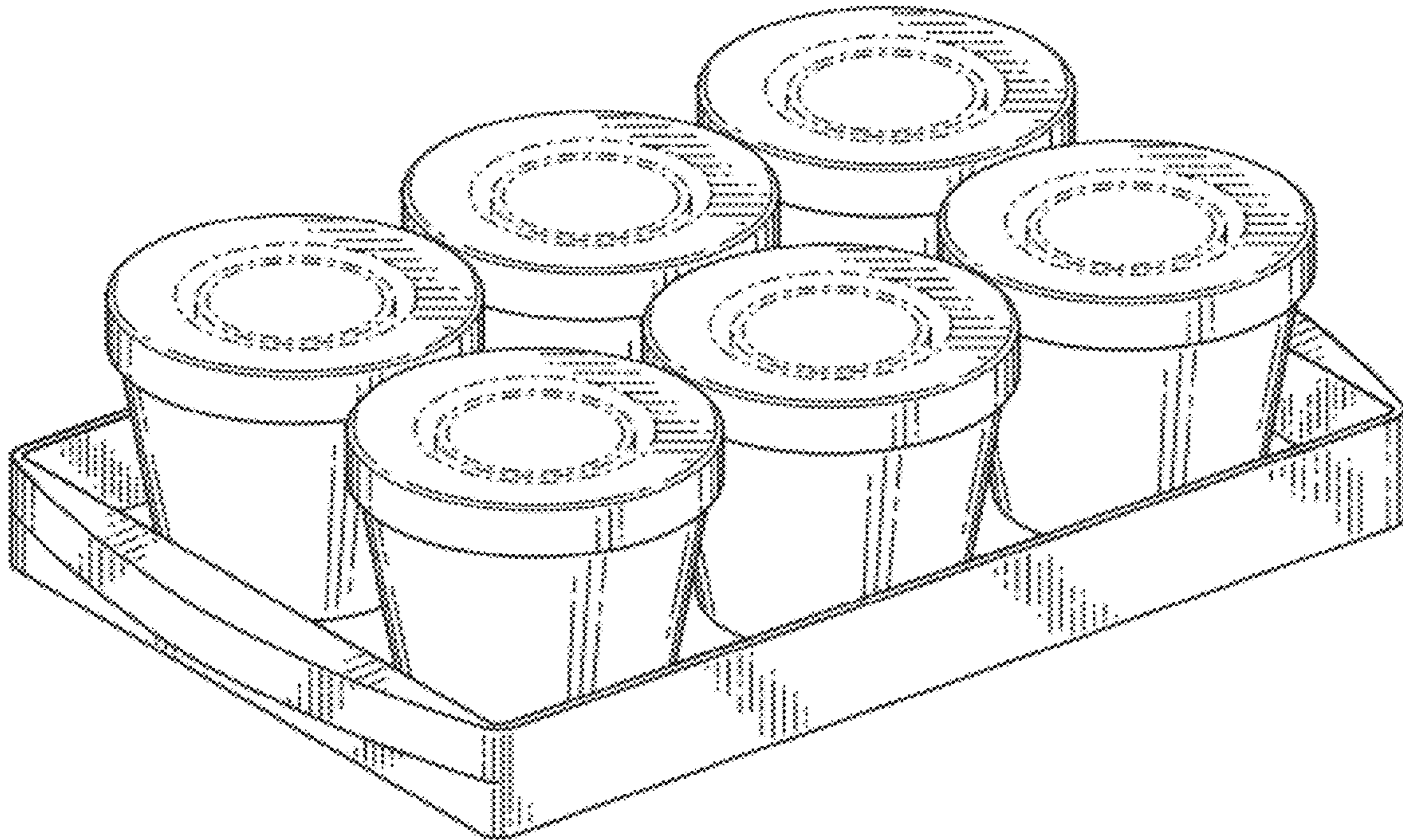
FIG. 4 is a front view of the container set, the rear view (omitted) being a mirror image thereof;

FIG. 5 is a top view of the container set; and,

FIG. 6 is a bottom view of the container set.

The broken lines in the drawings are included for the purpose of illustration and form no part of the claimed design.

1 Claim, 5 Drawing Sheets



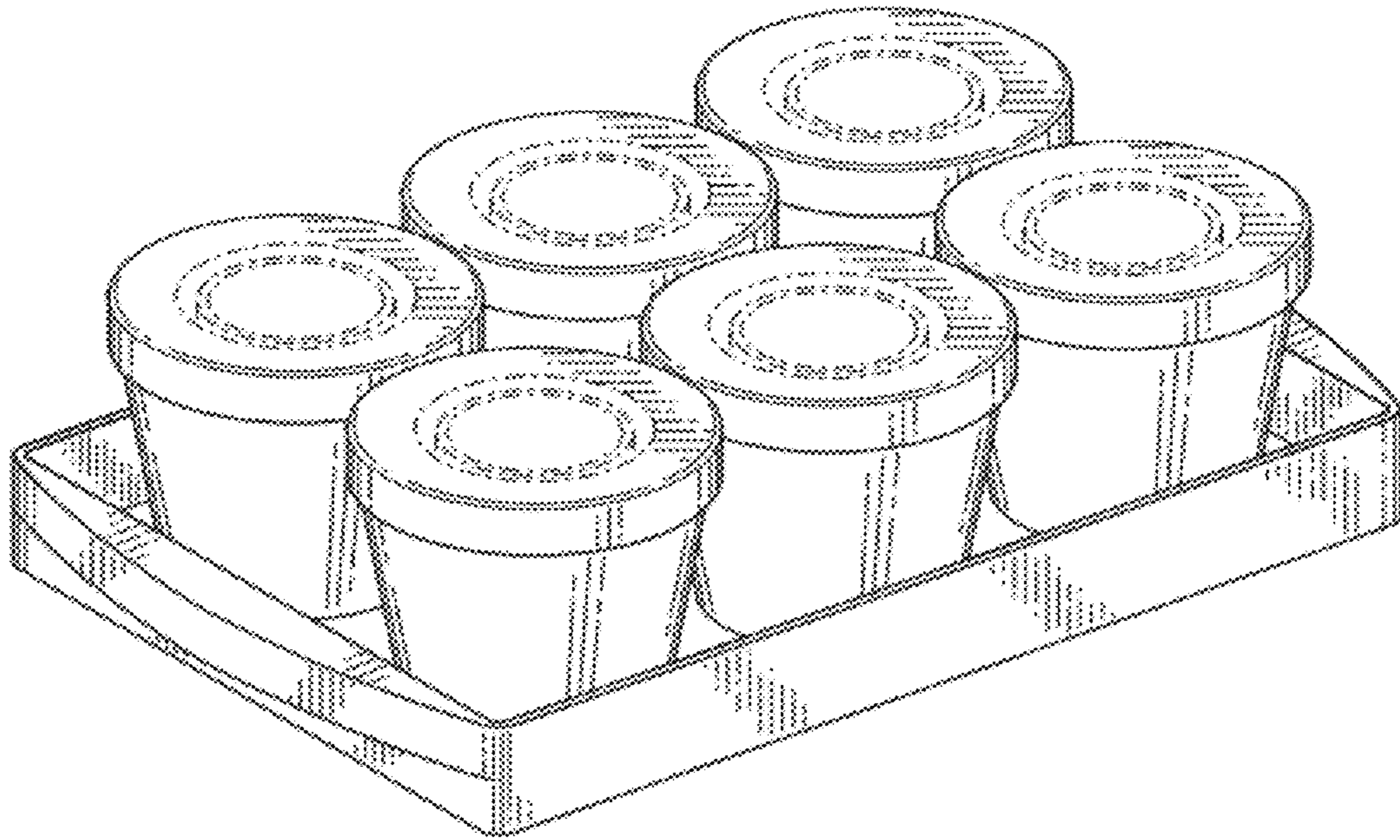


FIG. 1

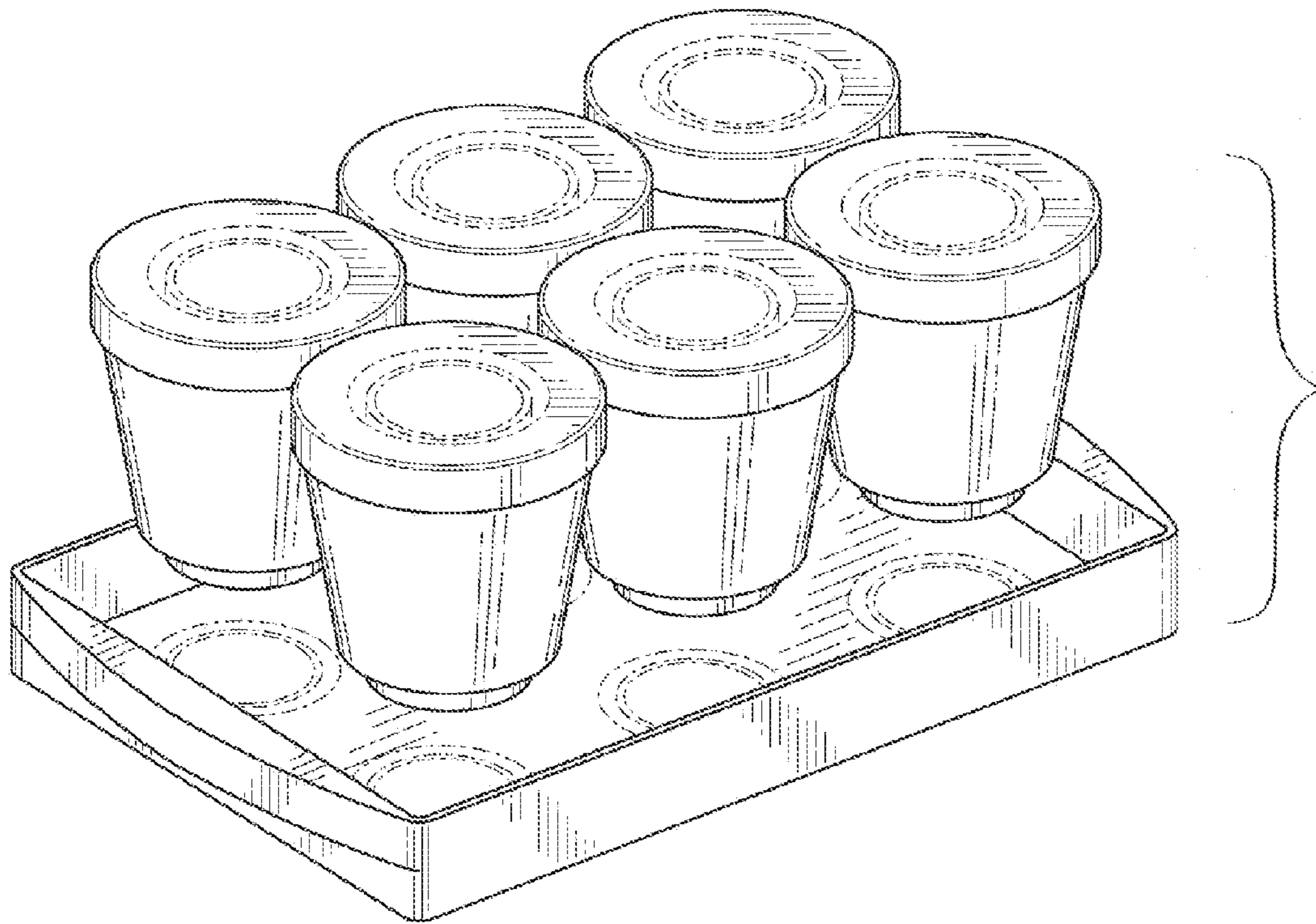


FIG. 2

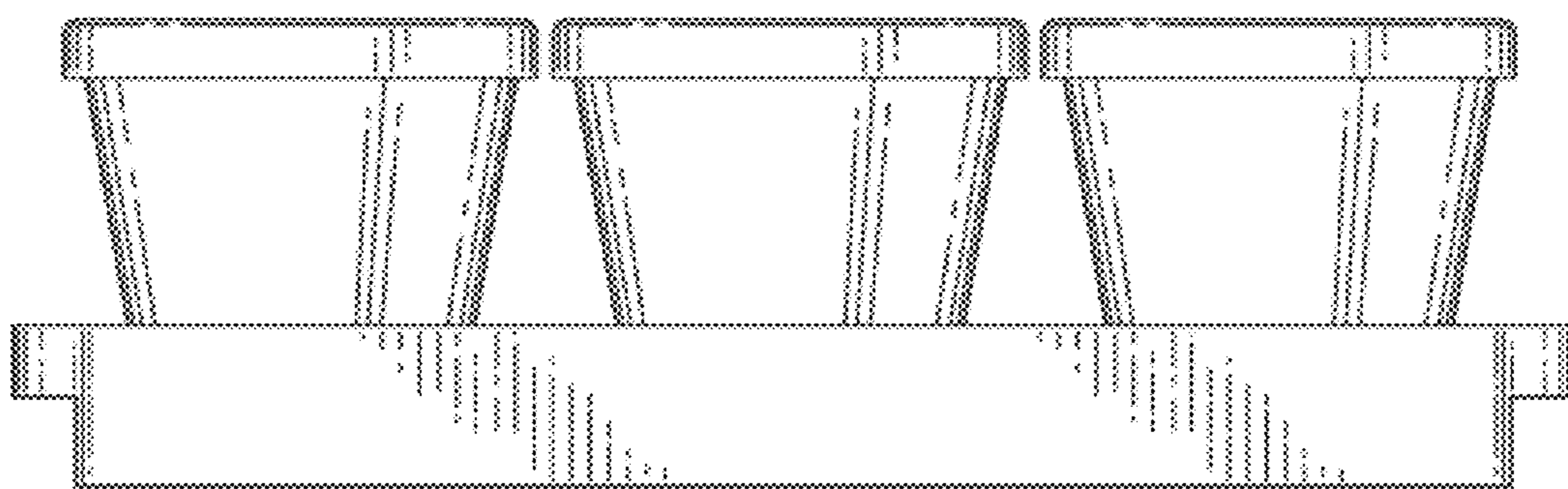


FIG. 3

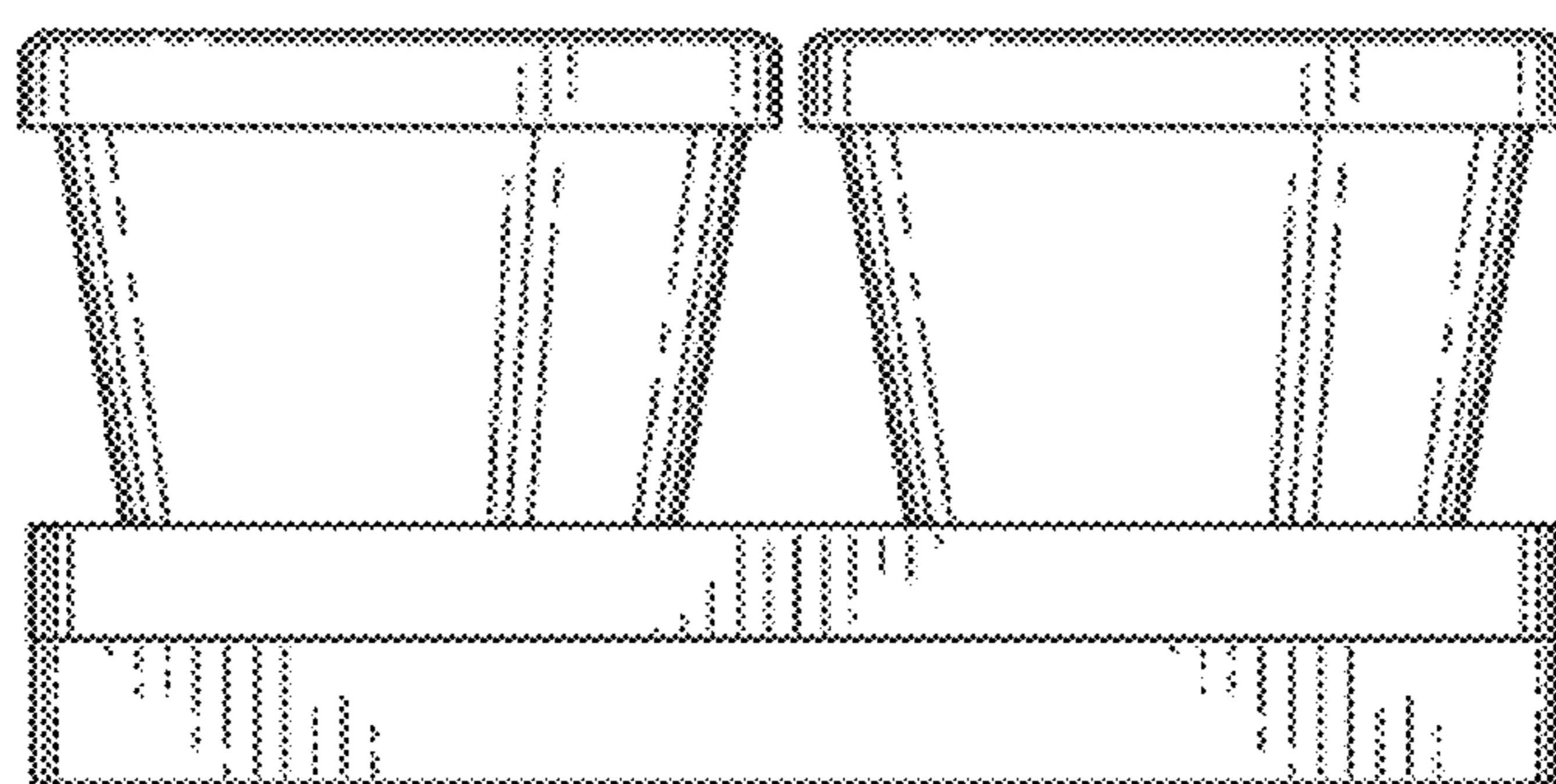


FIG. 4

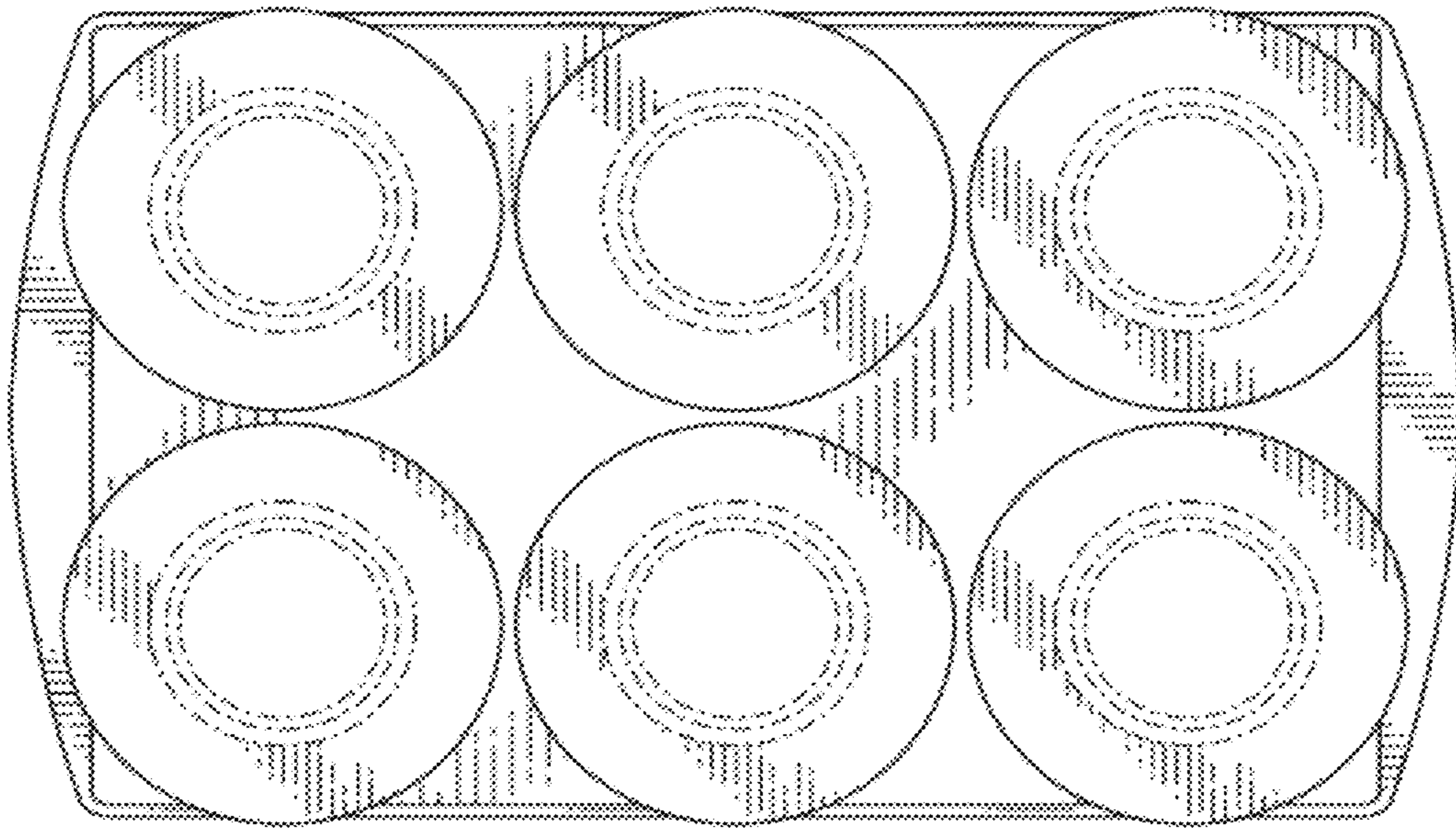


FIG. 5

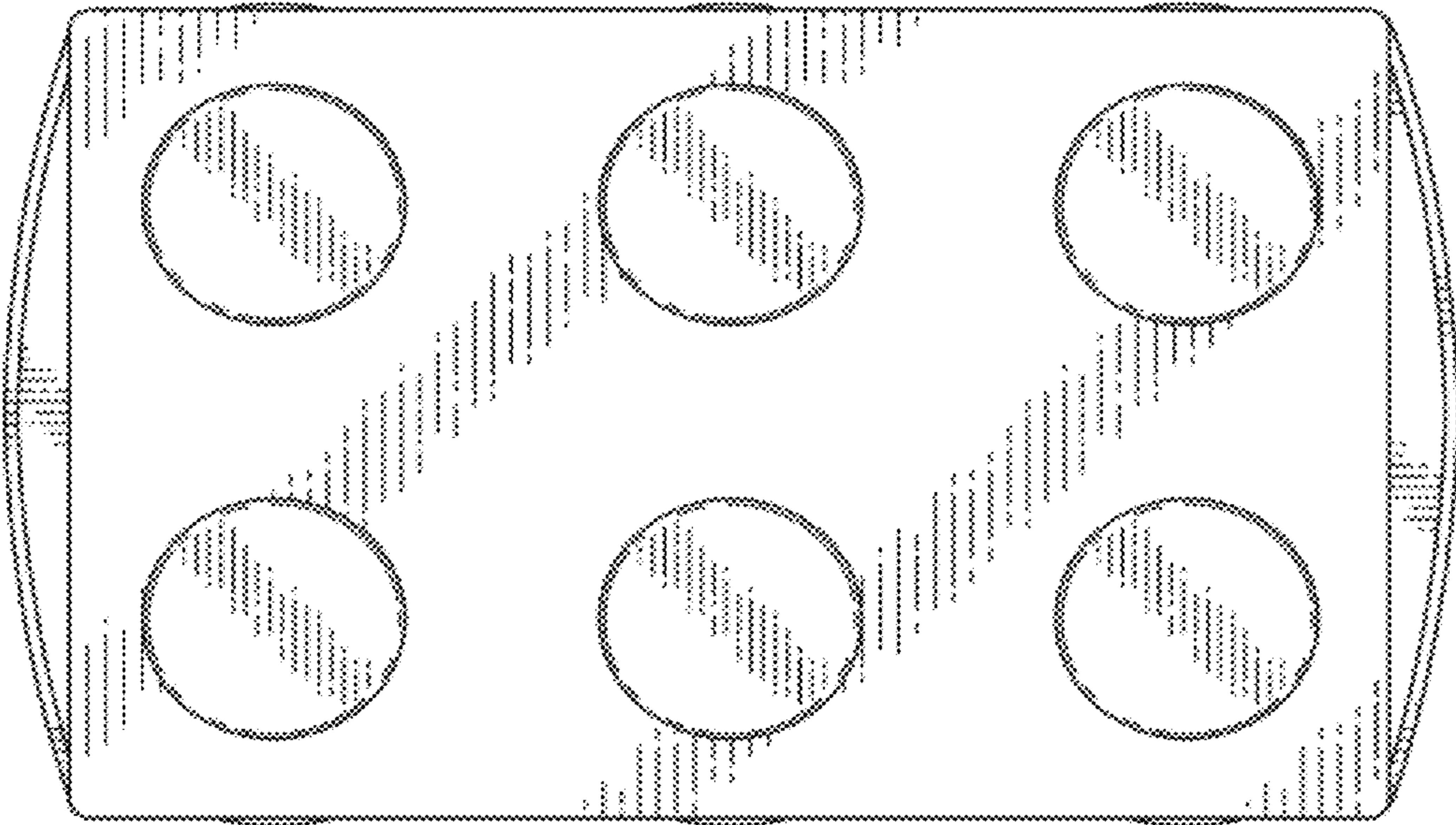


FIG. 6