



US00D658941S

(12) **United States Design Patent**
Trussell

(10) **Patent No.:** **US D658,941 S**

(45) **Date of Patent:** **** May 8, 2012**

(54) **GRILLING UTENSIL**

(76) Inventor: **Roy Daniel Trussell**, Wabeno, WI (US)

(**) Term: **14 Years**

(21) Appl. No.: **29/384,804**

(22) Filed: **Feb. 3, 2011**

(51) **LOC (9) Cl.** **07-02**

(52) **U.S. Cl.** **D7/409; D7/354**

(58) **Field of Classification Search** D1/121,
D1/130, 199; D6/511; D7/323, 329–332,
D7/337, 339, 346–347, 350.1–350.4, 354–363,
D7/391, 393, 395, 402, 408–409, 505, 538,
D7/542, 549, 587, 667, 698; D9/456; D15/89,
D15/144; D32/3; 99/324–325, 331–332,
99/337–340, 396, 400–419, 425, 444–446,
99/450; 126/9 R, 25 A, 25 R, 41 R, 275 R,
126/332, 380.1, 390.1; 206/501–505, 507–508;
219/400, 405, 435–442, 620–624, 725, 730–735;
220/485, 491, 573.1–573.5, 759, 912; 426/144,
426/438, 441, 523; 428/44, 131, 604

See application file for complete search history.

(56) **References Cited**

U.S. PATENT DOCUMENTS

640,030	A *	12/1899	Rietzke	99/445
D183,298	S *	8/1958	Brown	D7/409
D277,044	S *	1/1985	Kuhlman	D1/130
D311,339	S *	10/1990	Weed	D9/456
D318,235	S *	7/1991	Weed	D9/456
5,614,237	A *	3/1997	Clow et al.	426/144
D383,886	S *	9/1997	Baumgartner	D1/199
D407,314	S *	3/1999	Rench et al.	D9/456
6,027,753	A *	2/2000	Reeves et al.	426/144
6,523,460	B1 *	2/2003	Lange	99/340

D475,625	S *	6/2003	Lin	D9/456
D481,179	S *	10/2003	Wendt et al.	D32/3
D512,808	S *	12/2005	Baumgartner	D1/121
D533,981	S *	12/2006	Bond	D1/121
D583,199	S *	12/2008	Johnson et al.	D7/698
D604,556	S *	11/2009	Zemel	D7/359
D608,146	S *	1/2010	Zemel	D7/409
D618,043	S *	6/2010	Zemel	D7/359
D618,368	S *	6/2010	Jenkins et al.	D25/156
D618,957	S *	7/2010	Zemel	D7/359
D620,312	S *	7/2010	Jendrass	D7/408
D621,655	S *	8/2010	Zemel	D7/409
D629,687	S *	12/2010	Baker	D9/456
D650,632	S *	12/2011	Zemel	D7/409
D651,844	S *	1/2012	Cloutier et al.	D7/361
2005/0202208	A1 *	9/2005	Kelly	428/131

* cited by examiner

Primary Examiner — Ricky Pham

(74) *Attorney, Agent, or Firm* — Steven H. Greenfield;
Greenfield Invention and Patent Consulting Inc.

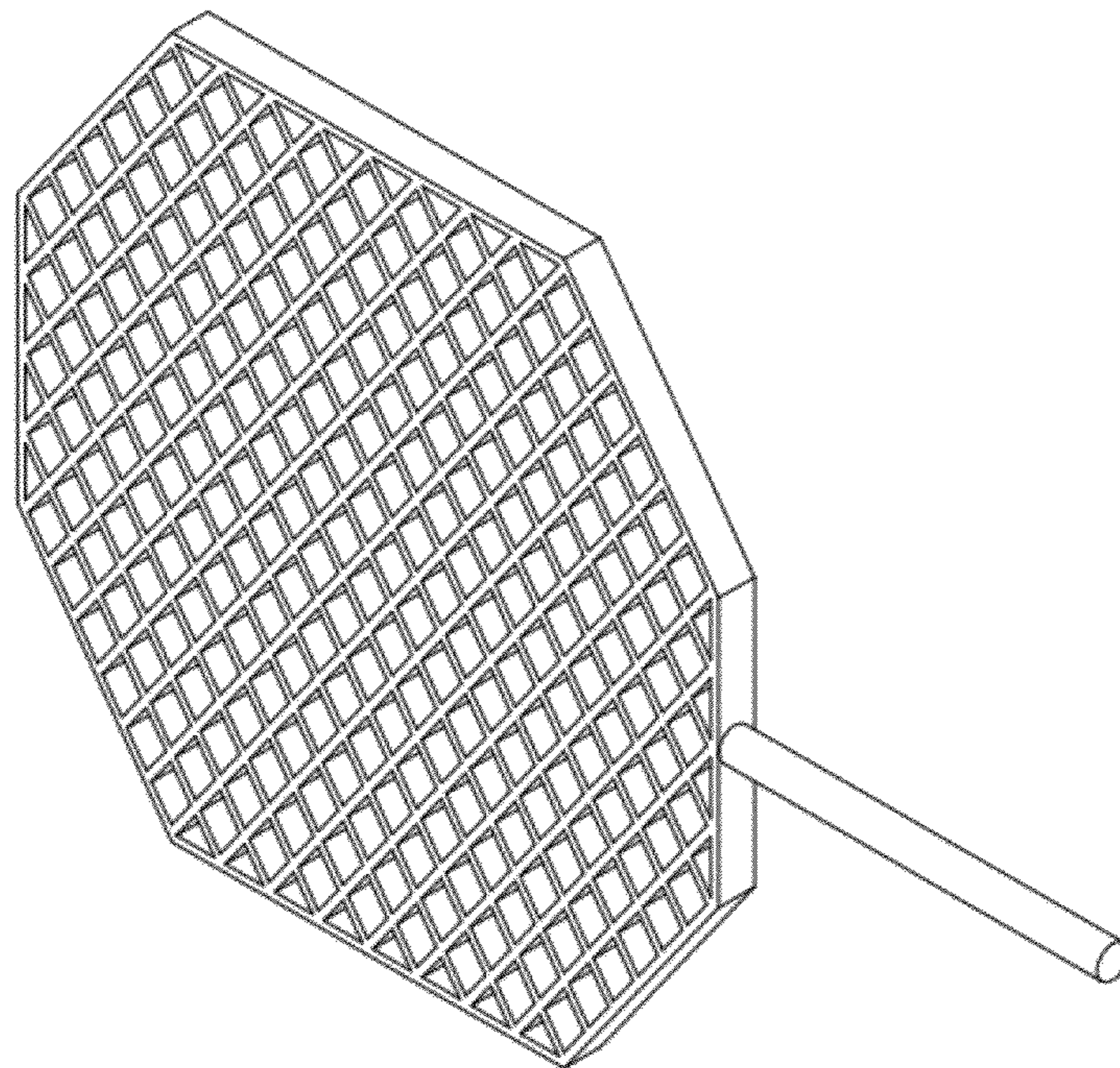
(57) **CLAIM**

The ornamental design for a grilling utensil, as shown and described.

DESCRIPTION

FIG. 1 is a top perspective view of a grilling utensil showing my new design;
FIG. 2 is a top plan view thereof;
FIG. 3 is a rear view thereof;
FIG. 4 is a front view thereof;
FIG. 5 is a side view thereof; the other view being a mirror image thereof;
FIG. 6 is a bottom perspective view thereof; and,
FIG. 7 is a bottom plan view thereof.

1 Claim, 7 Drawing Sheets



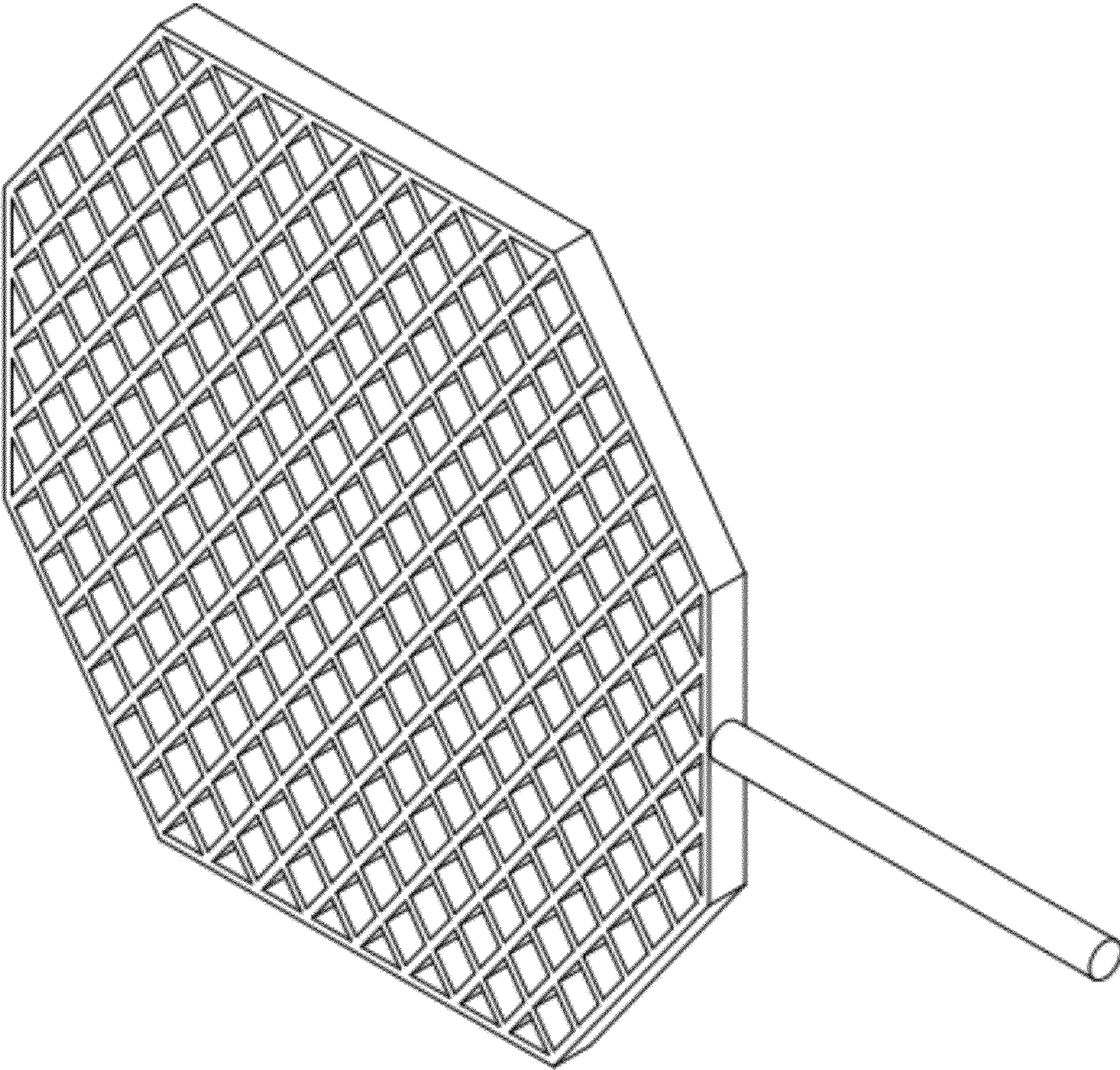


FIG. 1

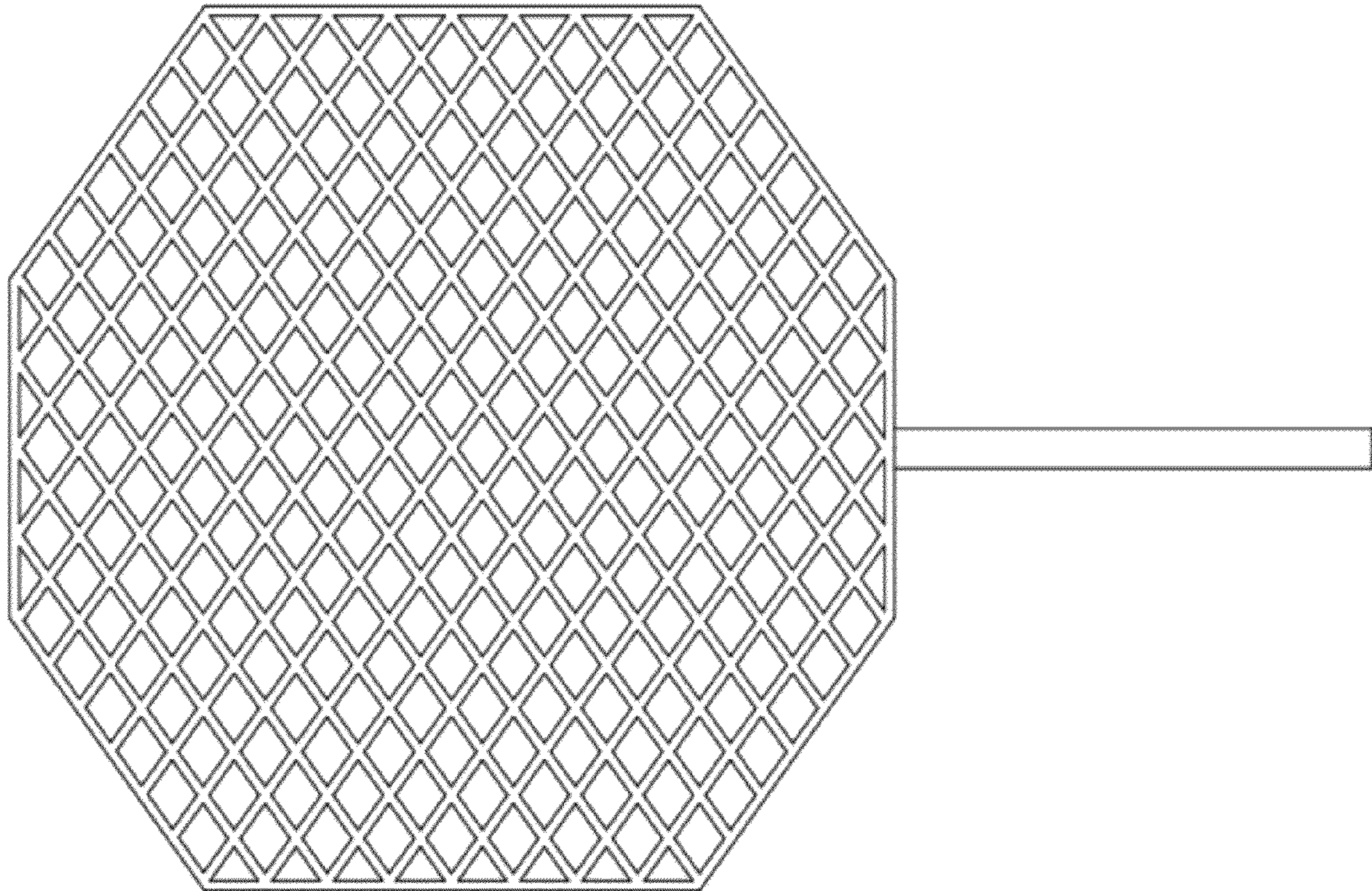


FIG. 2



FIG. 3



FIG. 4

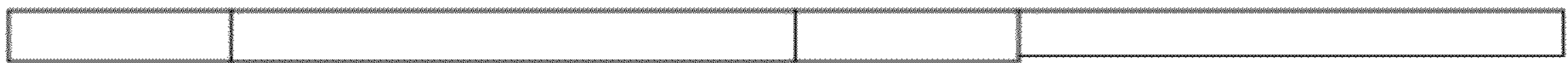


FIG. 5

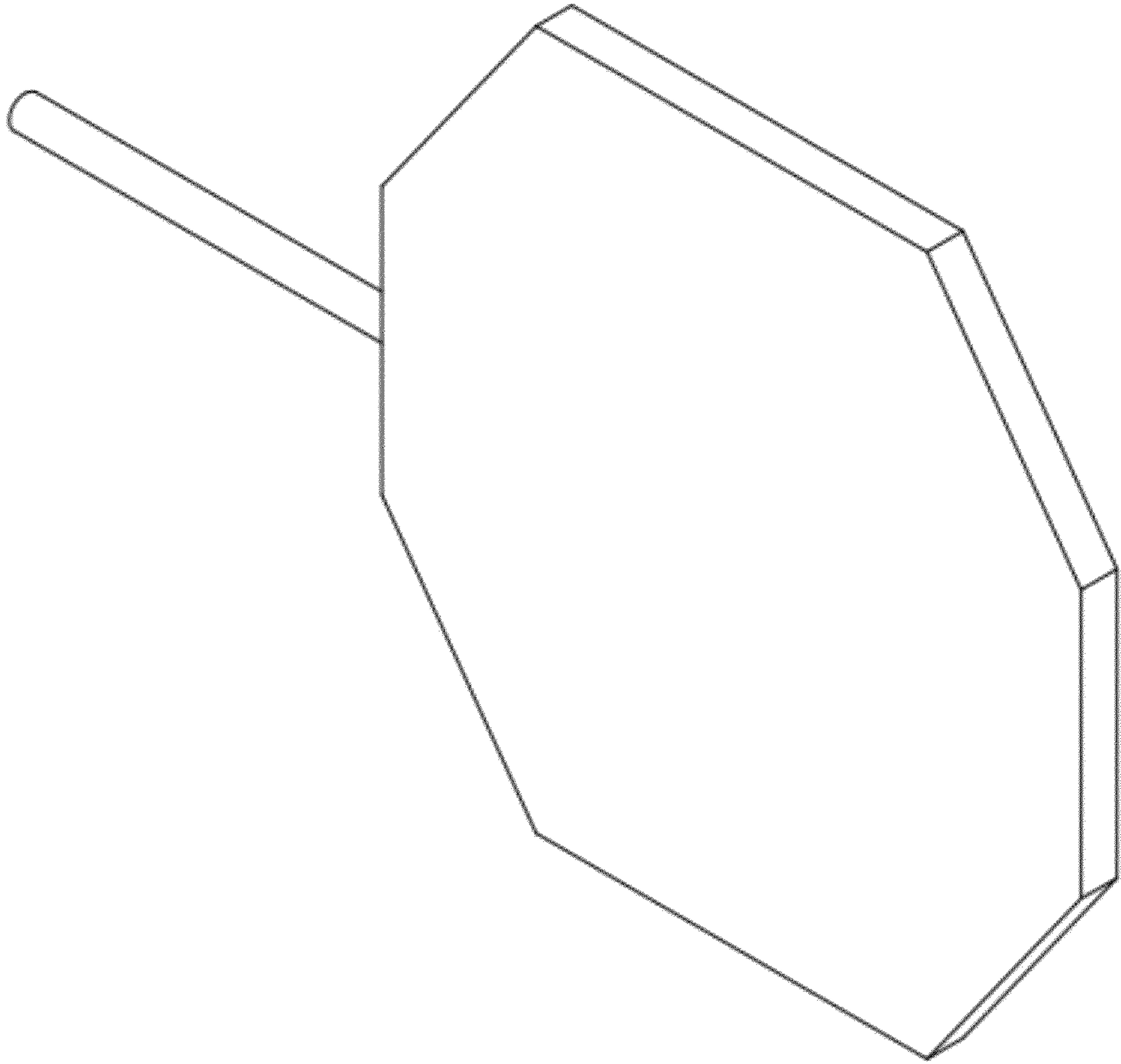


FIG. 6

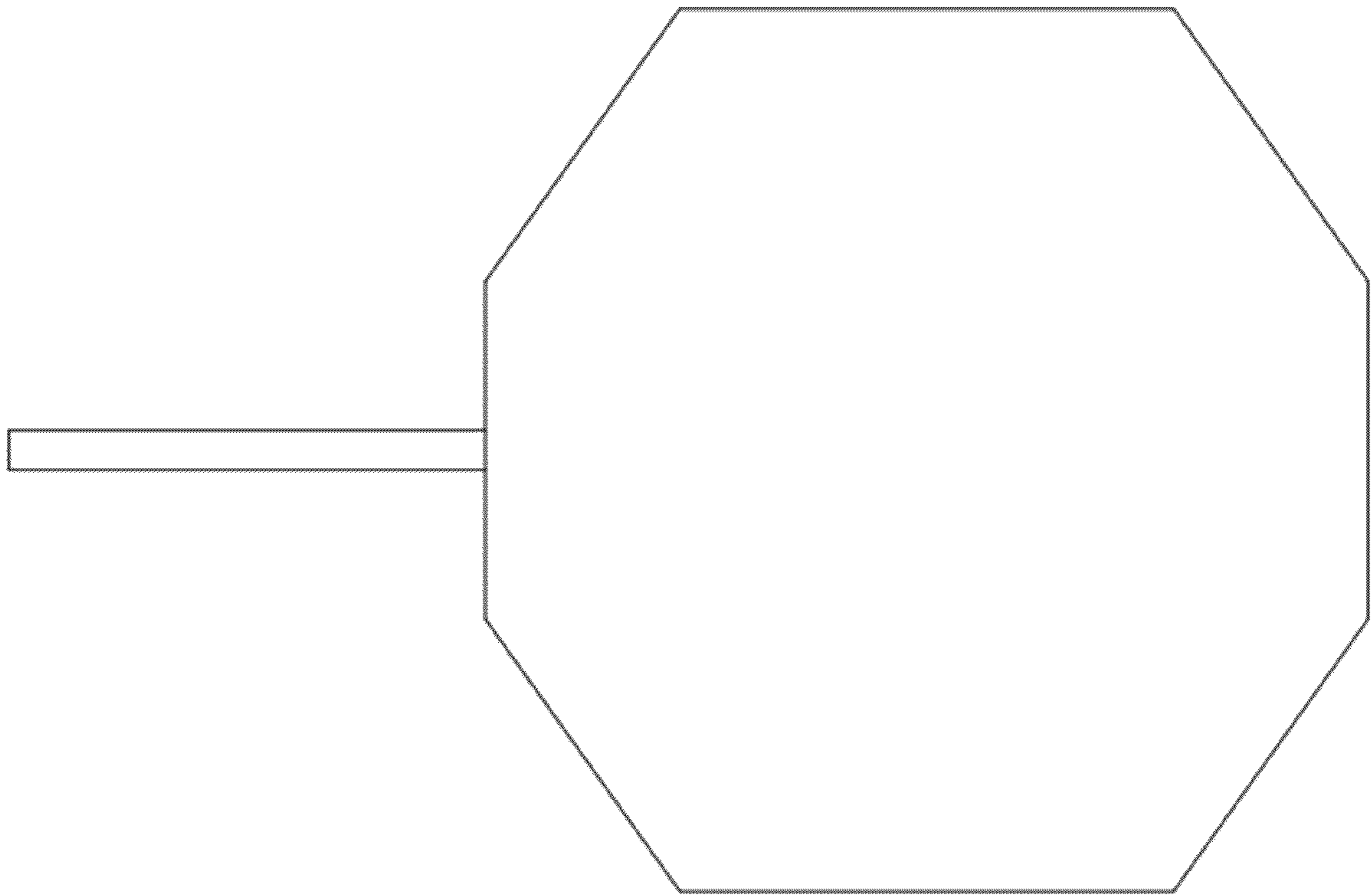


FIG. 7