



US00D658940S

(12) **United States Design Patent**
Bond

(10) **Patent No.:** **US D658,940 S**

(45) **Date of Patent:** **** May 8, 2012**

(54) **MICROWAVE OVEN DOOR**

(75) Inventor: **Gregg Bond**, Beverly Hills, CA (US)

(73) Assignee: **Nostalgia Products Group, LLC**, Green Bay, WI (US)

(**) Term: **14 Years**

(21) Appl. No.: **29/386,499**

(22) Filed: **Mar. 1, 2011**

(51) **LOC (9) Cl.** **07-02**

(52) **U.S. Cl.** **D7/405**

(58) **Field of Classification Search** D7/350.1,
D7/350.3, 350.4, 351, 402, 403, 405, 406;
219/756, 757, 758, 391; 126/19 M, 21 A,
126/275 E; 99/352

See application file for complete search history.

(56) **References Cited**

U.S. PATENT DOCUMENTS

D360,103 S * 7/1995 Kim D7/351
D423,868 S * 5/2000 Shoji et al. D7/351

D439,467 S * 3/2001 Hsu D7/350.4
D455,046 S * 4/2002 Hwang D7/405
D462,869 S * 9/2002 Konno et al. D7/351

* cited by examiner

Primary Examiner — Ruth McInroy

(74) *Attorney, Agent, or Firm* — Blakey, Sokoloff, Taylor & Zafman

(57) **CLAIM**

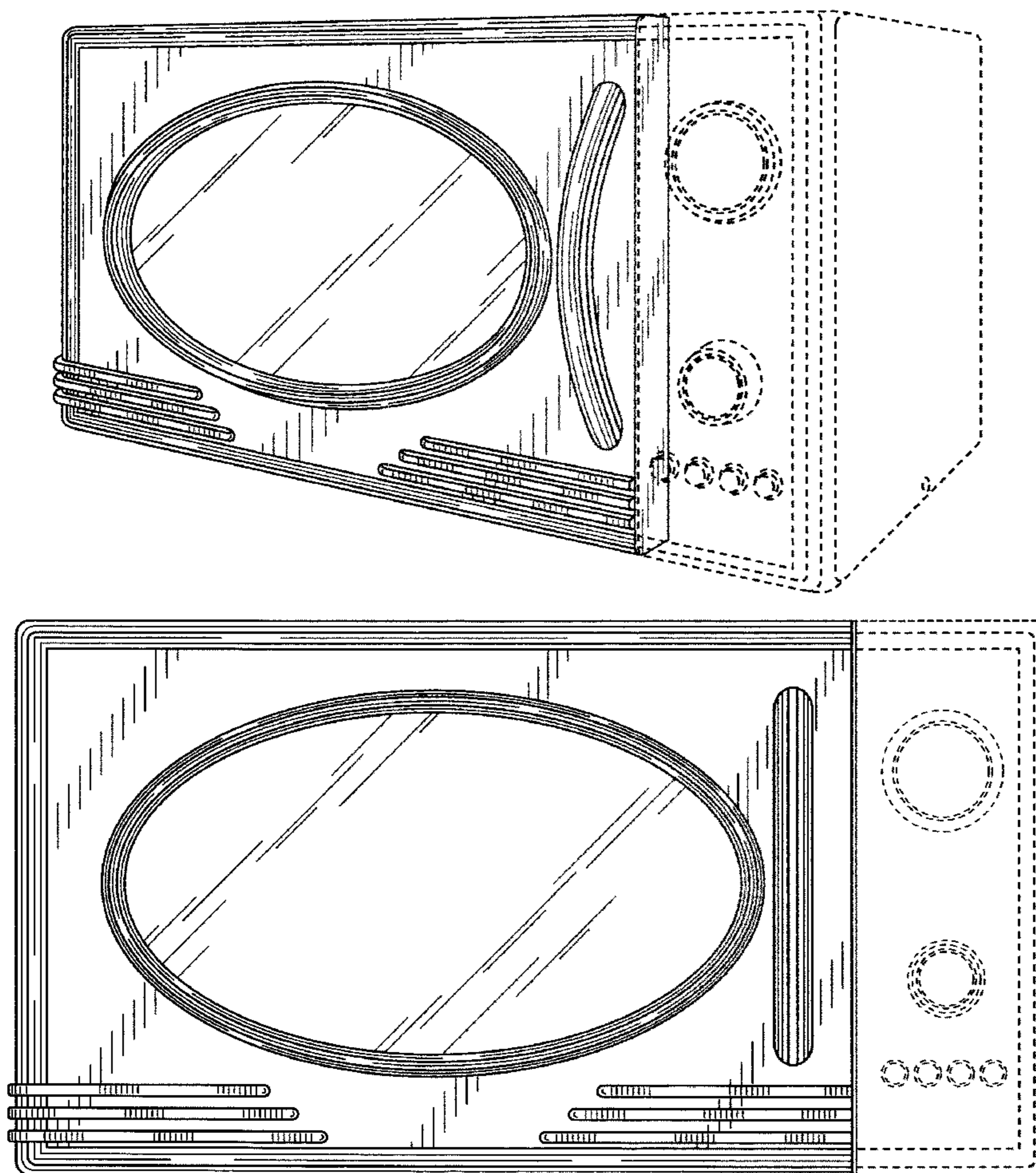
The ornamental design for microwave oven door, as shown and described.

DESCRIPTION

FIG. 1 is a front and side perspective view of a microwave oven door showing my new design; FIG. 2 is a front elevation view thereof; FIG. 3 is a rear elevation view thereof; FIG. 4 is a side elevation view thereof; FIG. 5 is a side elevation view of the opposite side of FIG. 4; FIG. 6 is a top plan view thereof; and, FIG. 7 is a bottom plan view thereof.

No claim is made to the portions of the design shown in dashed lines.

1 Claim, 7 Drawing Sheets



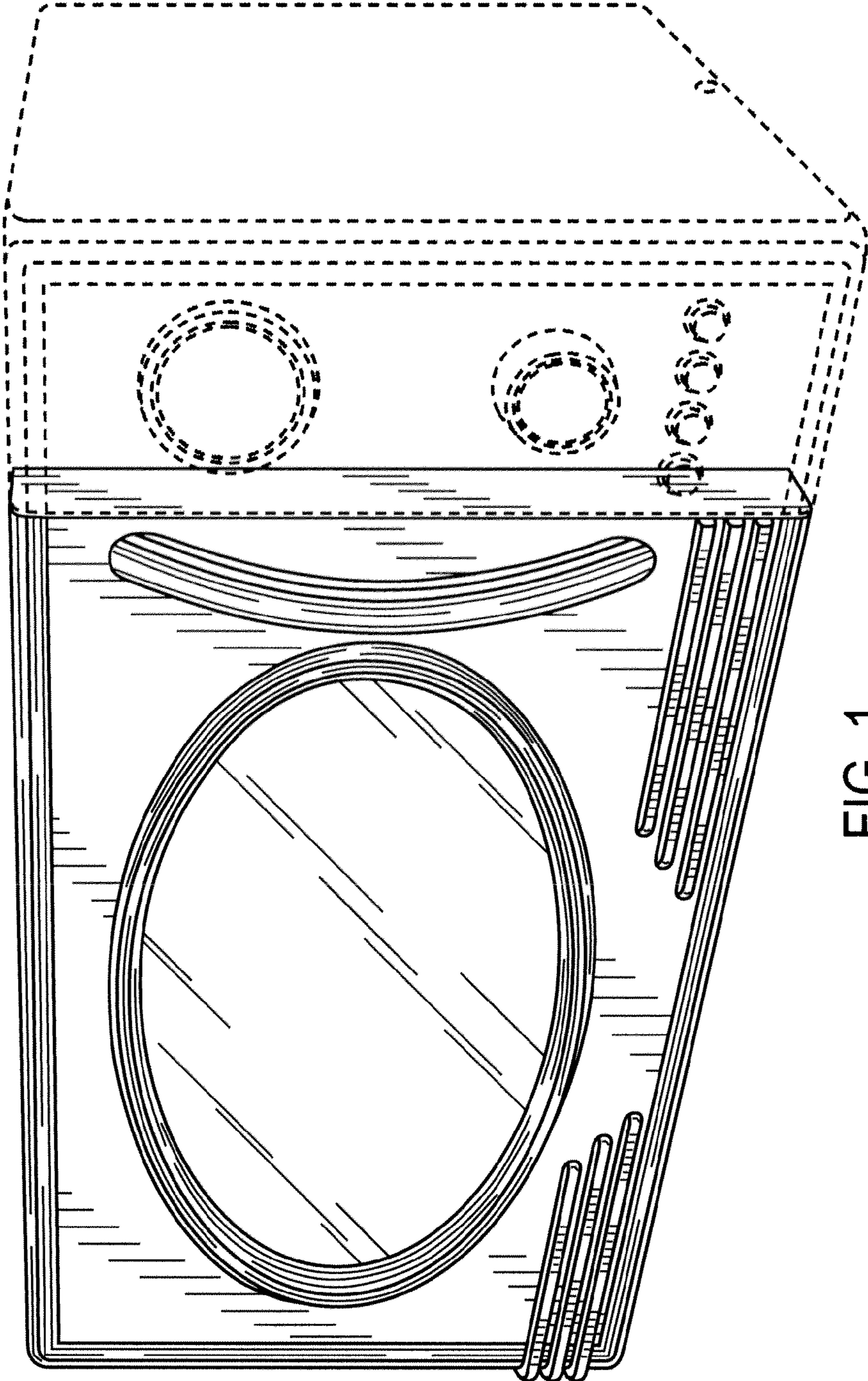


FIG. 1

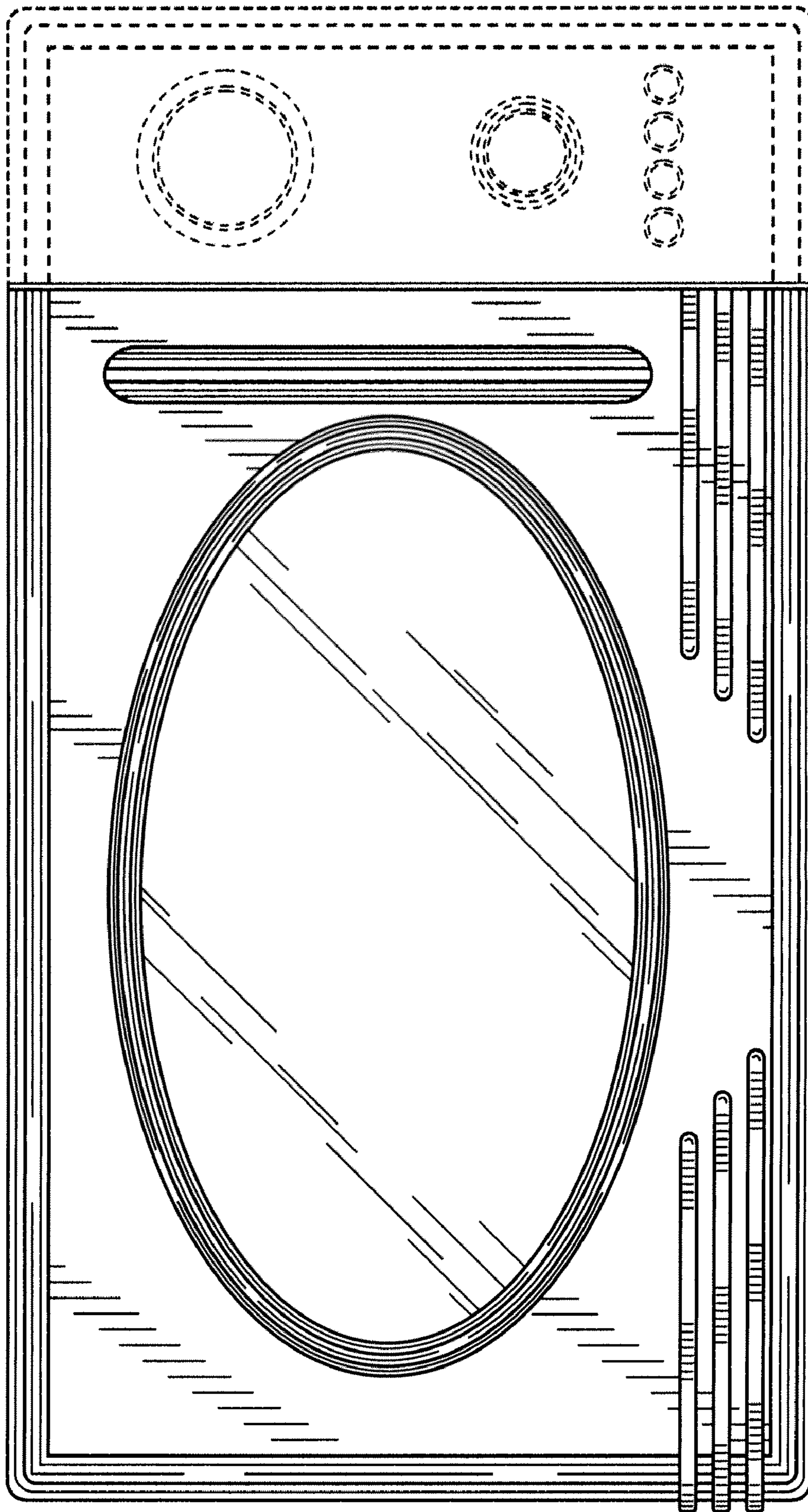


FIG. 2

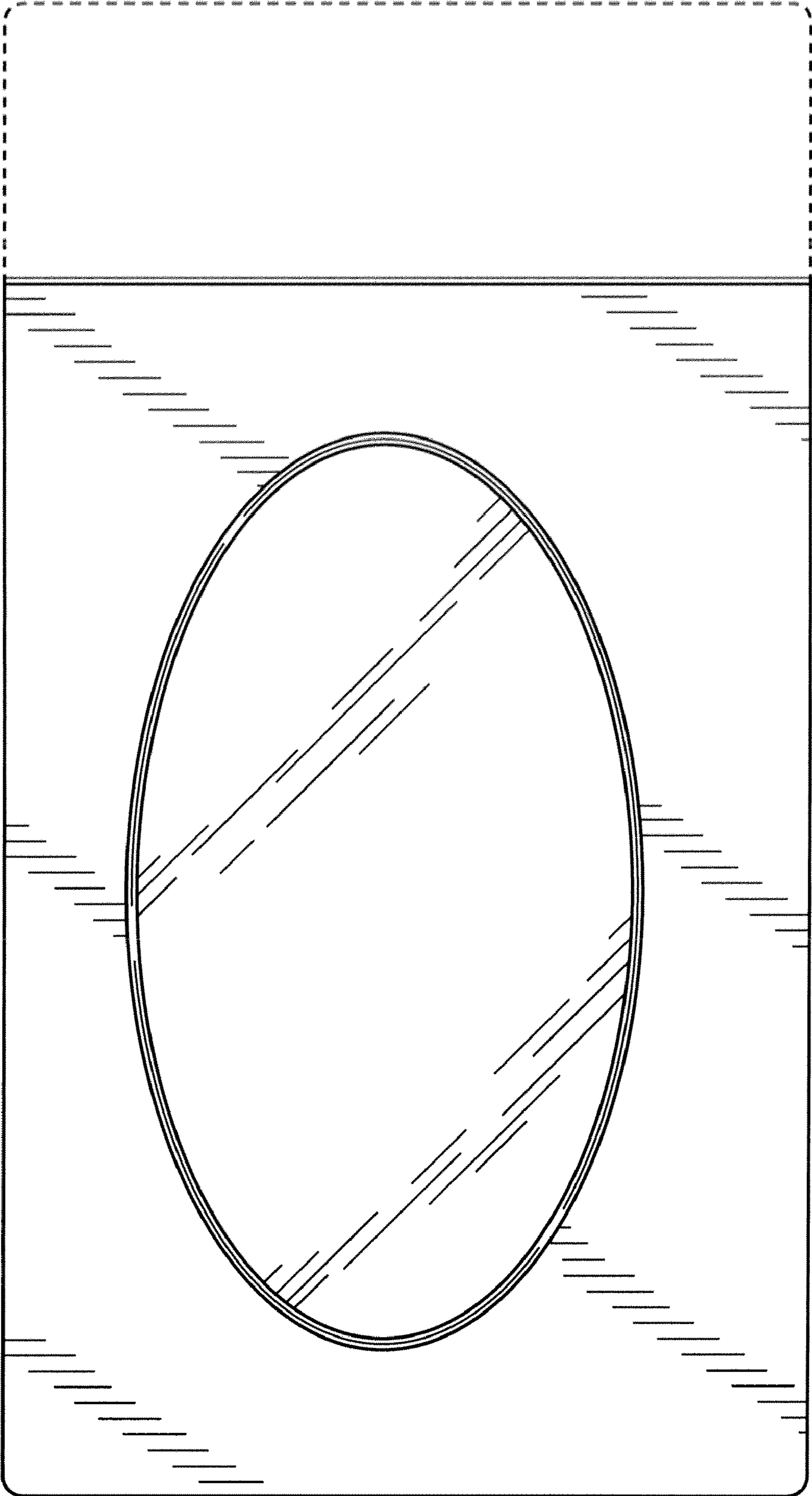


FIG. 3

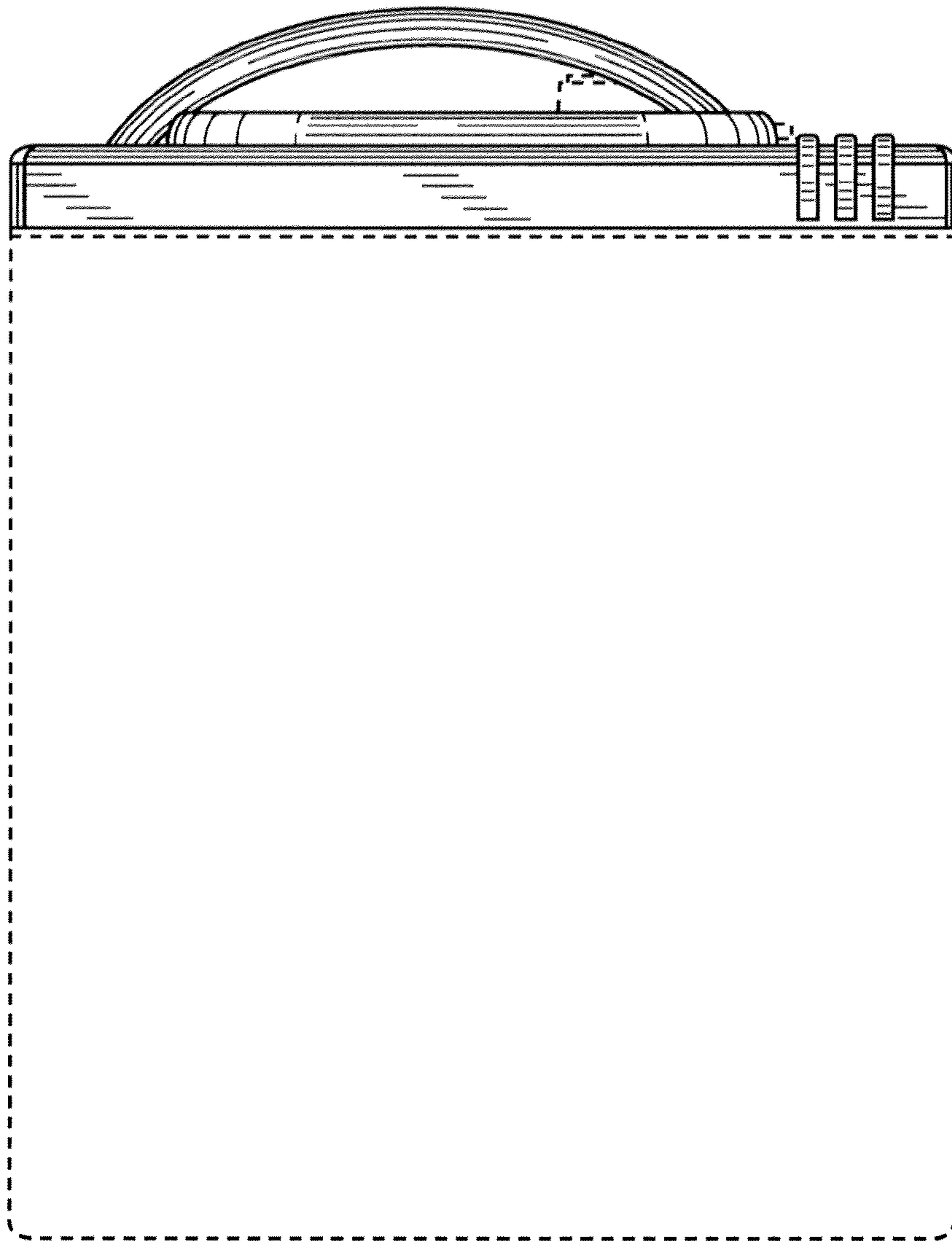


FIG. 4

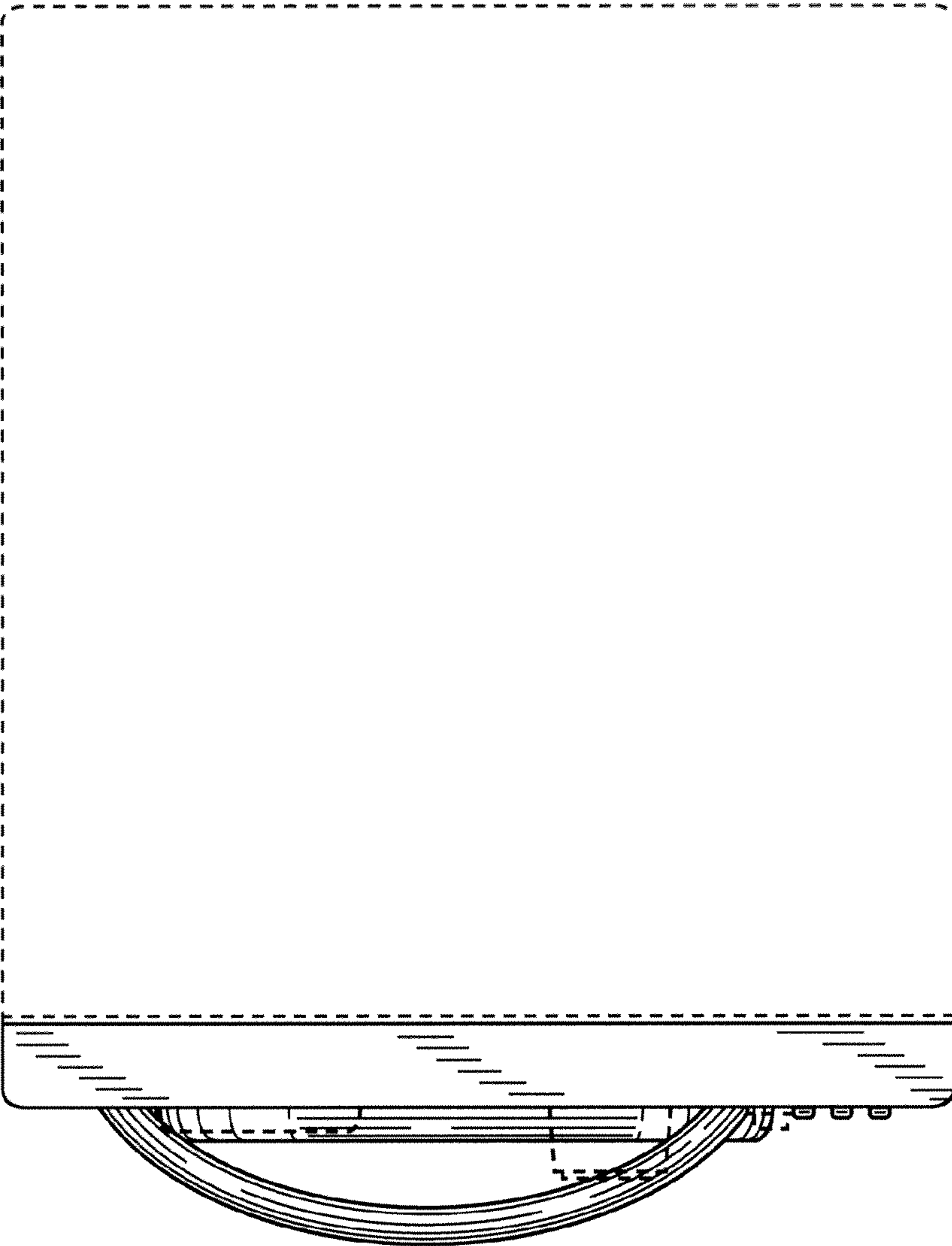


FIG. 5

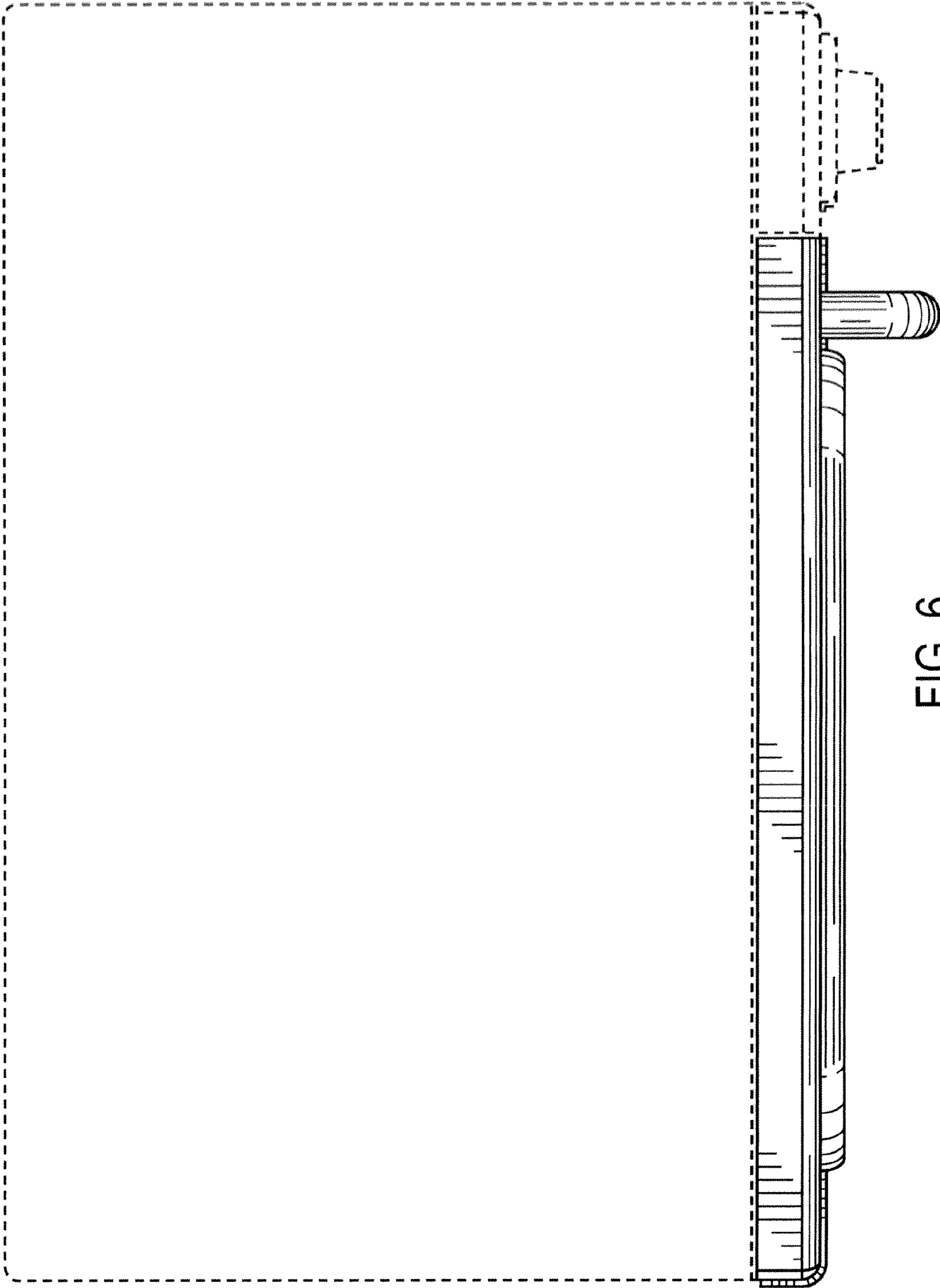


FIG. 6

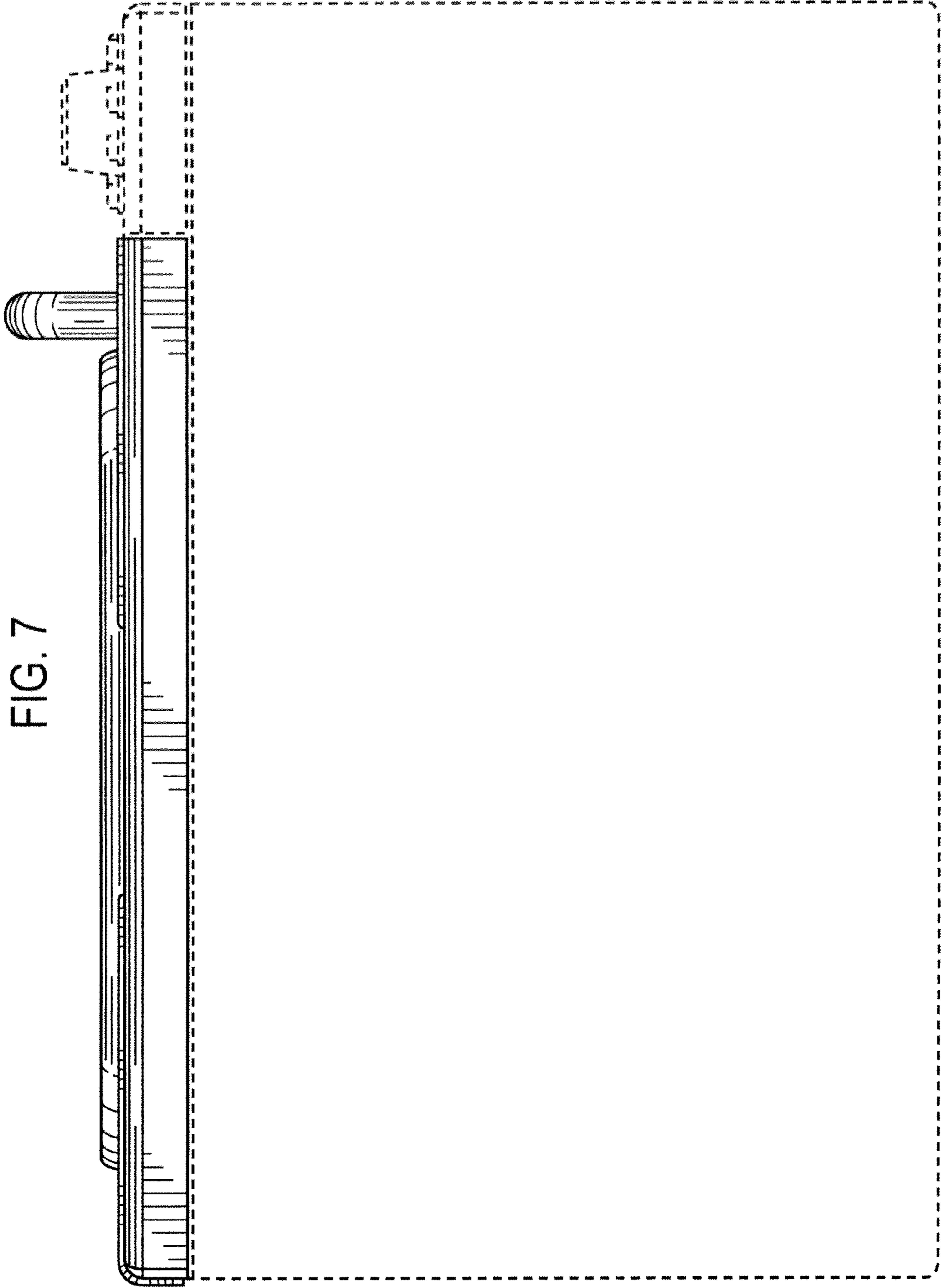


FIG. 7