



US00D658937S

(12) **United States Design Patent**
Zemel

(10) **Patent No.:** **US D658,937 S**
(45) **Date of Patent:** **** May 8, 2012**

- (54) **UTENSIL HANDLE**
- (75) Inventor: **Marc Zemel**, Melville, NY (US)
- (73) Assignee: **Mr. BAR-B-Q-, Inc.**, Old Bethpage, NY (US)
- (**) Term: **14 Years**
- (21) Appl. No.: **29/401,580**
- (22) Filed: **Sep. 13, 2011**
- (51) **LOC (9) Cl.** **07-02**
- (52) **U.S. Cl.** **D7/395**
- (58) **Field of Classification Search** D7/354-361, D7/393-395, 401.2, 664, 688, 691, 692, 693; D8/107, 300, 303, 307, 313, 321; D4/138, D4/129; 16/421, 430, 431, 110.1, 407; 220/573.1-573.5, 752, 753, 755, 756, 759, 220/767, 771, 912
See application file for complete search history.

- D496,826 S * 10/2004 Harris et al. D7/395
- D528,857 S 9/2006 Zemel
- D529,333 S 10/2006 Zemel
- D529,335 S 10/2006 Zemel
- D531,853 S 11/2006 Zemel
- D533,397 S 12/2006 Zemel
- D534,001 S 12/2006 Zemel
- D535,147 S 1/2007 Zemel
- D535,519 S 1/2007 Zemel
- D544,750 S 6/2007 Zemel
- D545,120 S 6/2007 Zemel
- D545,121 S 6/2007 Zemel
- D550,504 S 9/2007 Zemel
- D562,062 S 2/2008 Zemel
- D562,064 S 2/2008 Zemel

(Continued)

OTHER PUBLICATIONS

U.S. Appl. No. 29/397,851, filed Jul. 21, 2011, Marc Zemel.

(Continued)

Primary Examiner — Cynthia M Chin
(74) *Attorney, Agent, or Firm* — Carter, DeLuca, Farrell & Schmidt, LLP

(56) **References Cited**

U.S. PATENT DOCUMENTS

- D213,388 S * 2/1969 Hopcraft D7/688
- 5,440,784 A * 8/1995 Hull et al. 16/430
- D362,588 S * 9/1995 Cohen et al. D7/393
- D419,825 S * 2/2000 Derington D7/395
- D427,858 S 7/2000 Zemel
- D453,464 S * 2/2002 Yu D8/107
- D456,207 S 4/2002 Zemel
- D456,615 S 5/2002 Zemel
- D459,148 S * 6/2002 Richied et al. D7/395
- D463,952 S 10/2002 Zemel
- D465,336 S 11/2002 Zemel
- D474,370 S * 5/2003 Margolin D7/393
- D474,644 S 5/2003 Zemel
- D476,525 S 7/2003 Zemel
- D476,535 S * 7/2003 Garon D7/649
- D481,587 S * 11/2003 Harris et al. D7/395
- D482,566 S 11/2003 Zemel
- D482,569 S 11/2003 Zemel
- D494,006 S 8/2004 Zemel
- D494,807 S 8/2004 Zemel
- D496,558 S 9/2004 Zemel

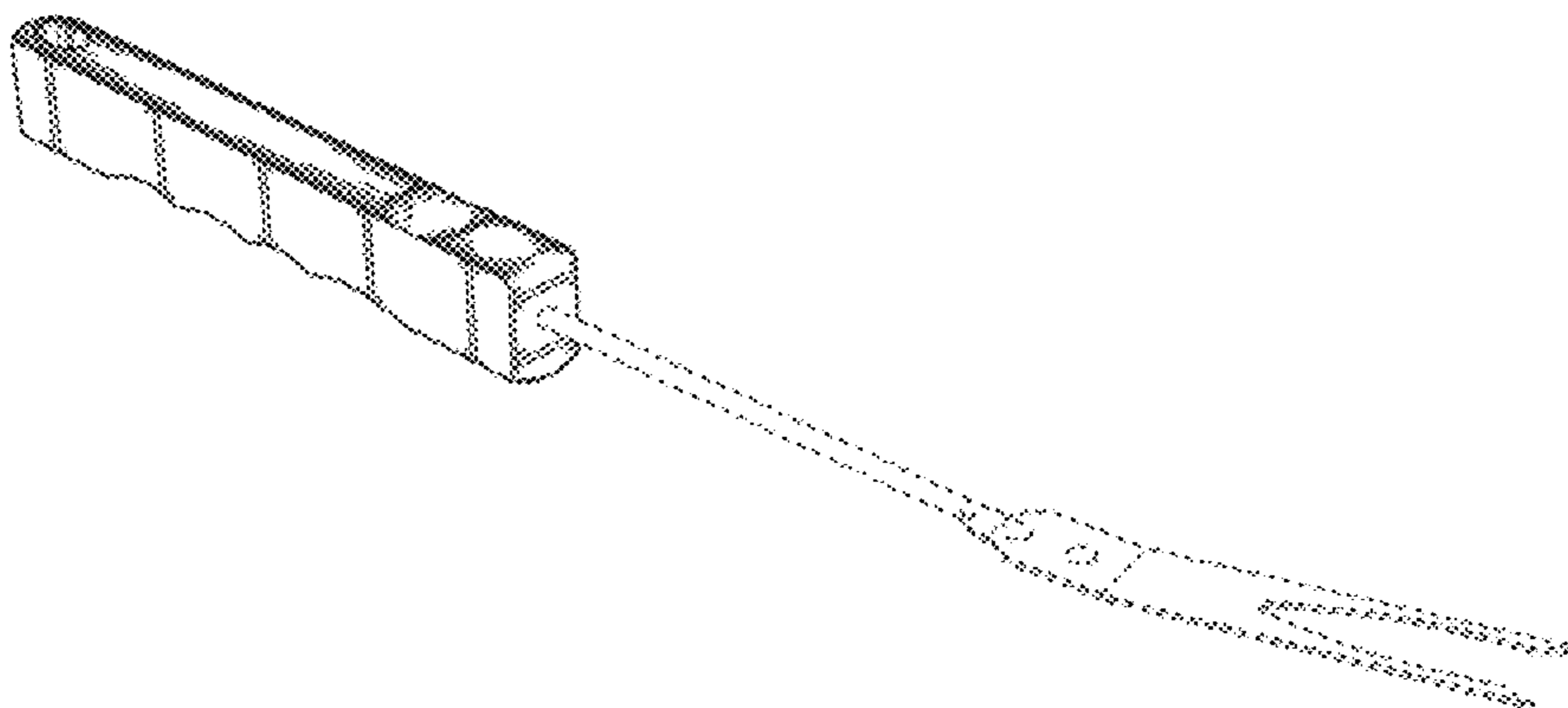
(57) **CLAIM**

The ornamental design for a utensil handle, as shown and described.

DESCRIPTION

FIG. 1 is a front side perspective view of a utensil handle in accordance with the present design;
FIG. 2 is a right side elevational view thereof,
FIG. 3 is a left side elevational view thereof,
FIG. 4 is a front elevational view thereof;
FIG. 5 is a rear elevational view thereof;
FIG. 6 is a top plan view thereof; and,
FIG. 7 is a bottom plan view thereof.
The broken lines shown are included for the purpose of illustrating a portion of the utensil handle that forms no part of the claimed design.

1 Claim, 4 Drawing Sheets



US D658,937 S

Page 2

U.S. PATENT DOCUMENTS

D563,675 S 3/2008 Zemel
D564,292 S 3/2008 Zemel
D566,460 S 4/2008 Zemel
D569,174 S 5/2008 Zemel
D572,079 S 7/2008 Zemel
D572,080 S 7/2008 Zemel
D574,184 S 8/2008 Zemel
D579,269 S 10/2008 Zemel
D579,668 S 11/2008 Zemel
D580,659 S 11/2008 Zemel

D588,868 S 3/2009 Zemel
D618,499 S 6/2010 Zemel
D622,542 S 8/2010 Zemel

OTHER PUBLICATIONS

U.S. Appl. No. 29/396,910, filed Jul. 8, 2011, Marc Zemel.
U.S. Appl. No. 29/398,654, filed Aug. 3, 2011, Marc Zemel.
U.S. Appl. No. 29/394,748, filed Jun. 21, 2011, Marc Zemel.

* cited by examiner

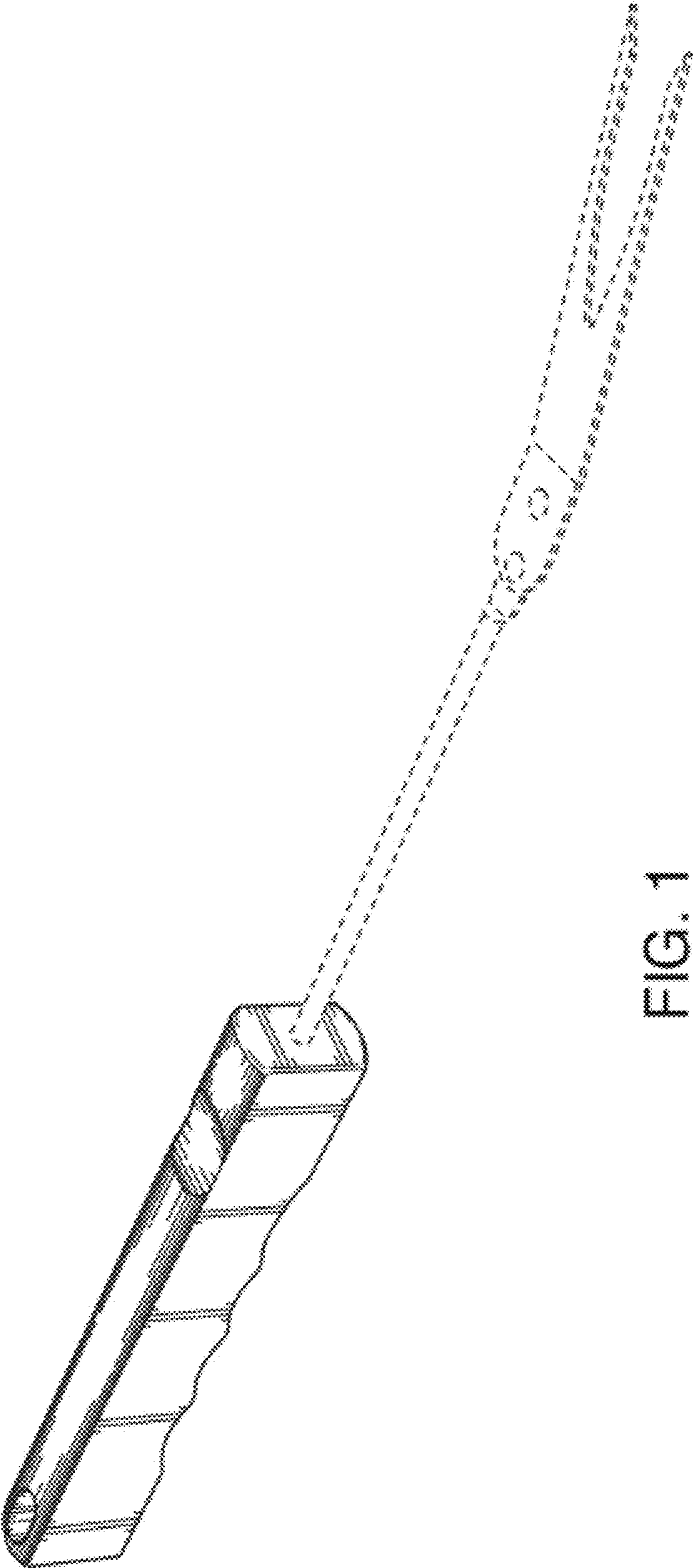


FIG. 1

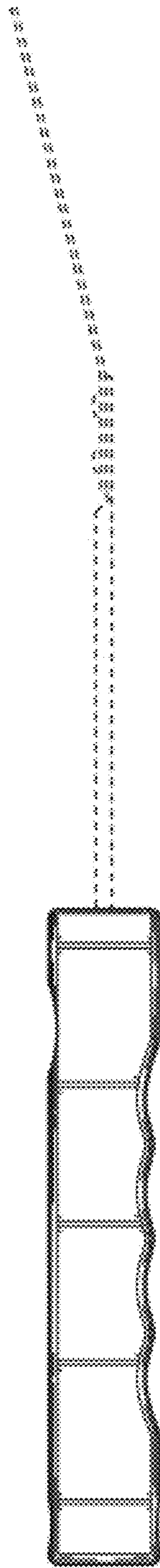


FIG. 2

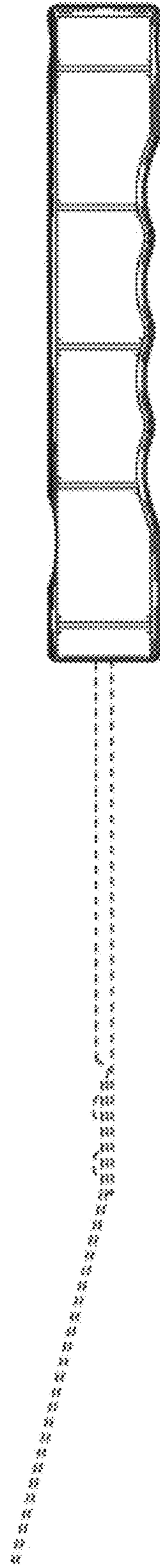


FIG. 3



FIG. 4



FIG. 5

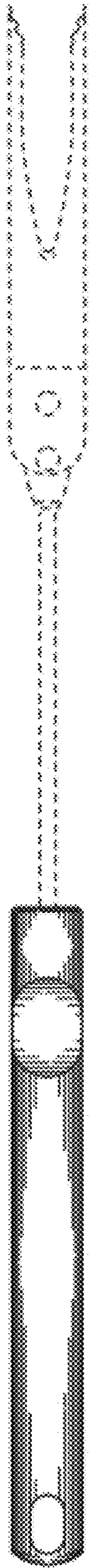


FIG. 6

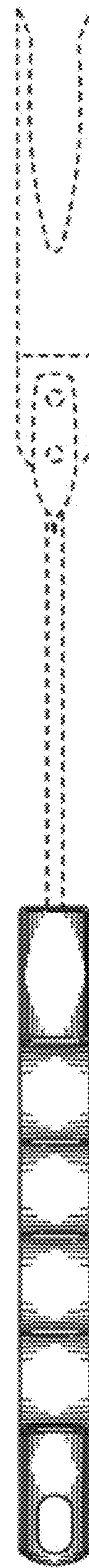


FIG. 7