



US00D658936S

(12) **United States Design Patent**  
**Zemel**

(10) **Patent No.:** **US D658,936 S**  
(45) **Date of Patent:** **\*\* May 8, 2012**

(54) **UTENSIL HANDLE**

D588,867 S 3/2009 Zemel  
D601,849 S 10/2009 Zemel  
D610,883 S \* 3/2010 Blacken ..... D7/686

(75) Inventor: **Marc Zemel**, Melville, NY (US)

(73) Assignee: **Mr. Bar-B-Q-, Inc.**, Old Bethpage, NY (US)

(\*\*) Term: **14 Years**

(21) Appl. No.: **29/397,393**

(22) Filed: **Jul. 15, 2011**

(51) **LOC (9) Cl.** ..... **07-02**

(52) **U.S. Cl.** ..... **D7/393**

(58) **Field of Classification Search** ..... D7/393,  
D7/395, 401.2, 683, 685, 686, 687, 688;  
D8/39, 52-55, 107; 294/3, 11, 16, 99.1,  
294/99.2, 100, 103.1, 104, 106, 110.1, 115  
See application file for complete search history.

(56) **References Cited**

**U.S. PATENT DOCUMENTS**

D431,974 S \* 10/2000 Hay ..... D7/686  
D463,952 S \* 10/2002 Zemel ..... D7/393  
D481,915 S \* 11/2003 Mezger-Boehringer ..... D7/686  
D509,413 S \* 9/2005 Marsden et al. .... D7/686  
D535,145 S 1/2007 Zemel  
D535,853 S 1/2007 Zemel  
D545,122 S 6/2007 Zemel  
D546,620 S 7/2007 Zemel  
D564,290 S 3/2008 Zemel  
D564,291 S 3/2008 Zemel  
D570,645 S \* 6/2008 Gonzalez et al. .... D7/395

**OTHER PUBLICATIONS**

U.S. Appl. No. 29/394,761, filed Jun. 21, 2011, Marc Zemel.  
U.S. Appl. No. 29/397,392, filed Jul. 15, 2011, Marc Zemel.  
U.S. Appl. No. 29/399,960, filed Aug. 21, 2011, Marc Zemel.  
U.S. Appl. No. 29/401,572, filed Sep. 13, 2011, Marc Zemel.

\* cited by examiner

*Primary Examiner* — Cynthia M Chin

(74) *Attorney, Agent, or Firm* — Carter, DeLuca, Farrell & Schmidt LLP

(57) **CLAIM**

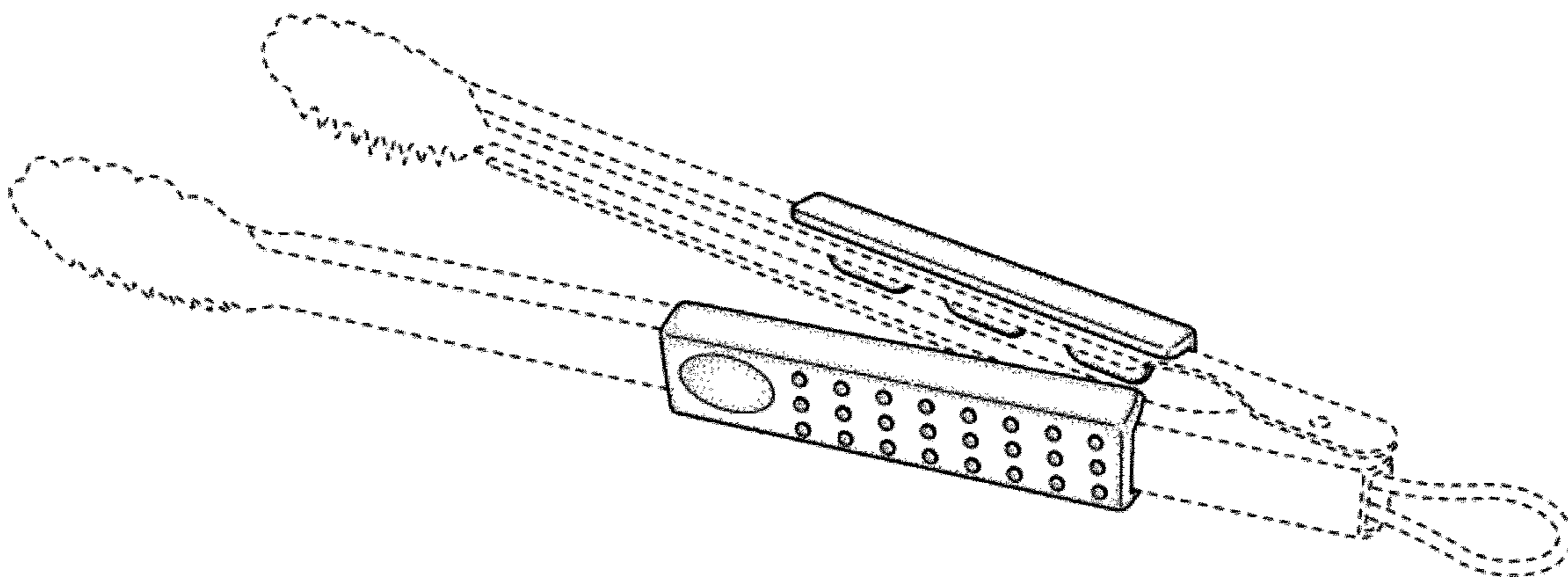
The ornamental design for a utensil handle, as shown and described.

**DESCRIPTION**

FIG. 1 is a front side perspective view of a utensil handle in accordance with the present design;  
FIG. 2 is a top plan view thereof;  
FIG. 3 is a bottom plan view thereof;  
FIG. 4 is a right side elevational view thereof;  
FIG. 5 is a left side elevational view thereof;  
FIG. 6 is a front elevational view thereof; and,  
FIG. 7 is a rear elevational view thereof.

The broken lines shown are included for the purpose of illustrating a portion of the utensil handle that forms no part of the claimed design.

**1 Claim, 5 Drawing Sheets**



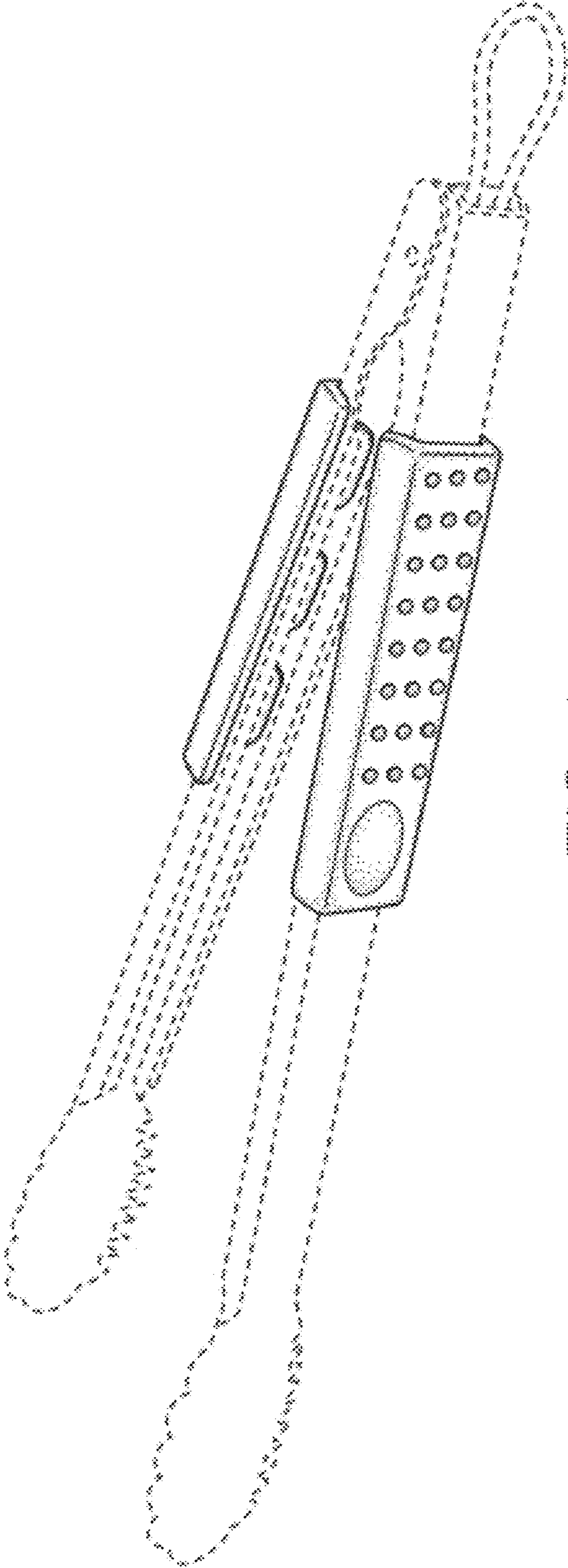


FIG. 1

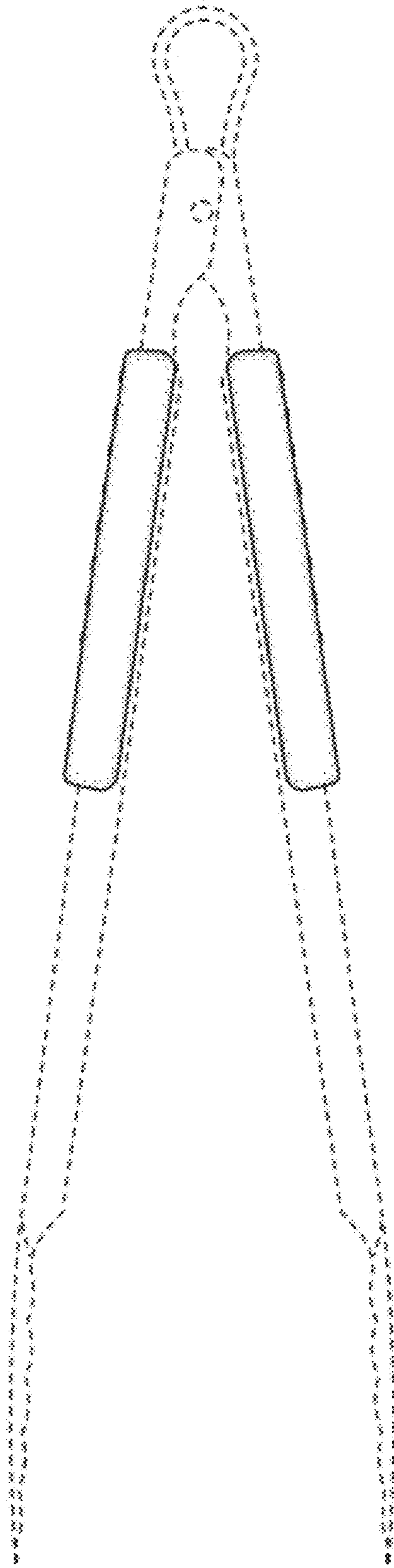


FIG. 2

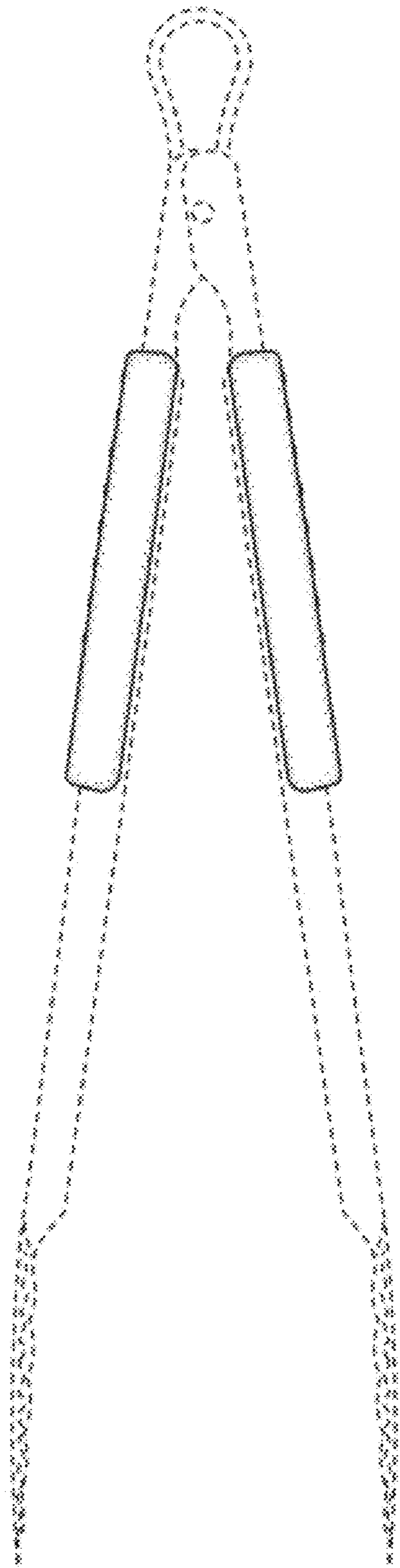


FIG. 3

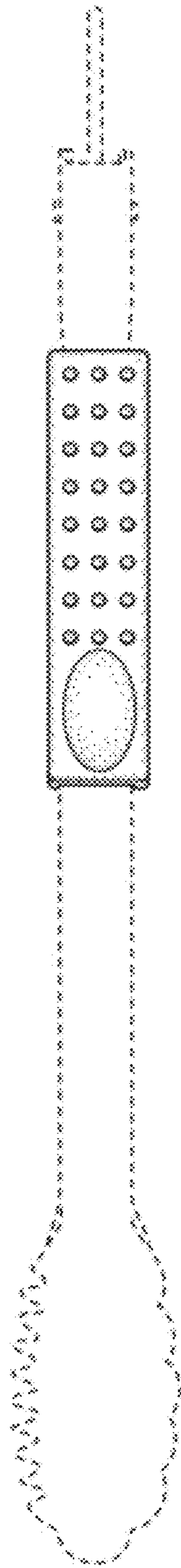


FIG. 4

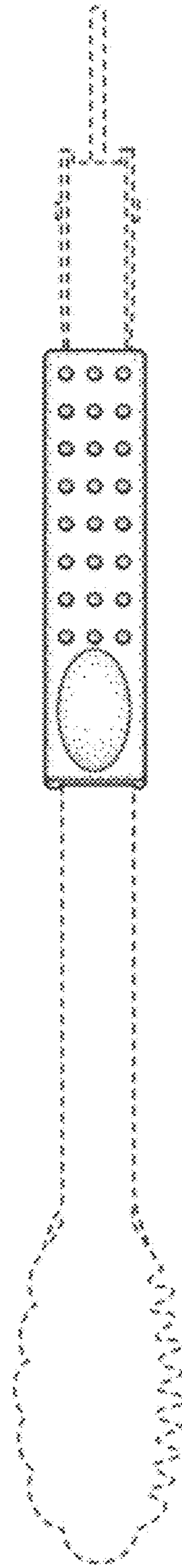


FIG. 5

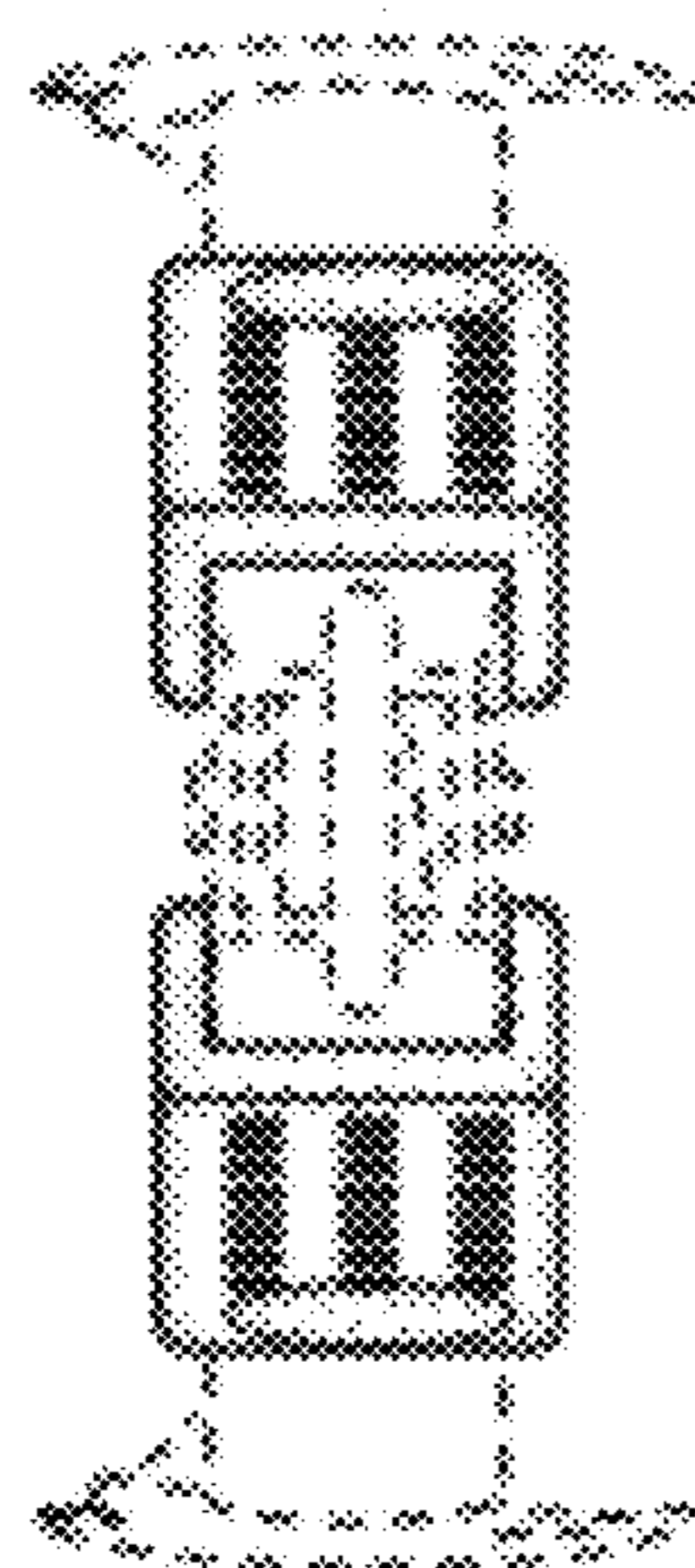


FIG. 6

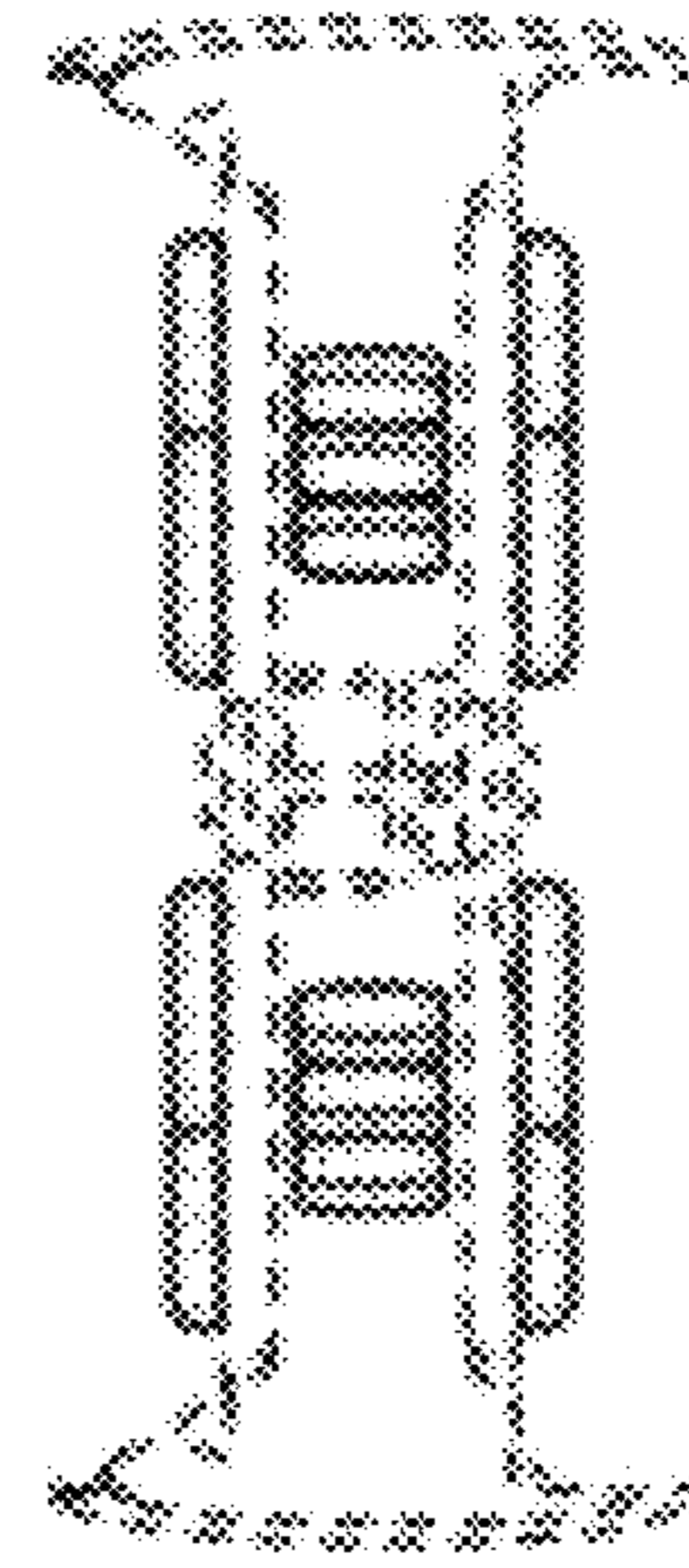


FIG. 7