

US00D658935S

(12) **United States Design Patent**
Luppino et al.

(10) **Patent No.:** **US D658,935 S**

(45) **Date of Patent:** **** May 8, 2012**

(54) **PARMESAN CHEESE CONTAINER COVER**

D467,463 S * 12/2002 Wright D7/391
D514,375 S * 2/2006 Montano D7/391
D548,005 S * 8/2007 Curtin D7/392

(76) Inventors: **Giuseppe Luppino**, Palm Beach
Gardens, FL (US); **Graziella Luppino**,
Palm Beach Gardens, FL (US)

* cited by examiner

(**) Term: **14 Years**

Primary Examiner — Cynthia M Chin

(74) *Attorney, Agent, or Firm* — Gold & Rizvi, P.A.; Glenn
E. Gold; H. John Rizvi

(21) Appl. No.: **29/388,252**

(57) **CLAIM**

I claim the ornamental design for a parmesan cheese con-
tainer cover, as shown and described.

(22) Filed: **Mar. 25, 2011**

DESCRIPTION

(51) **LOC (9) Cl.** **21-01**

(52) **U.S. Cl.** **D7/392**

(58) **Field of Classification Search** D7/391,
D7/392, 392.1, 591, 592, 678, 679; D9/447,
D9/551, 552; 222/142.1–142.9, 480, 545;
241/168, 169, 273.1–273.4, 286

See application file for complete search history.

FIG. 1 is a perspective top view of the parmesan cheese
container cover;

FIG. 2 is a perspective bottom view thereof;

FIG. 3 is a front elevation view thereof;

FIG. 4 is an elevation view thereof, wherein the parmesan
cheese container cover is rotated by 45 degrees from the front
elevation;

FIG. 5 is a left elevation view thereof;

FIG. 6 is a rear elevation view thereof;

FIG. 7 is a right side view thereof;

FIG. 8 is a top view thereof; and,

FIG. 9 is a bottom view thereof.

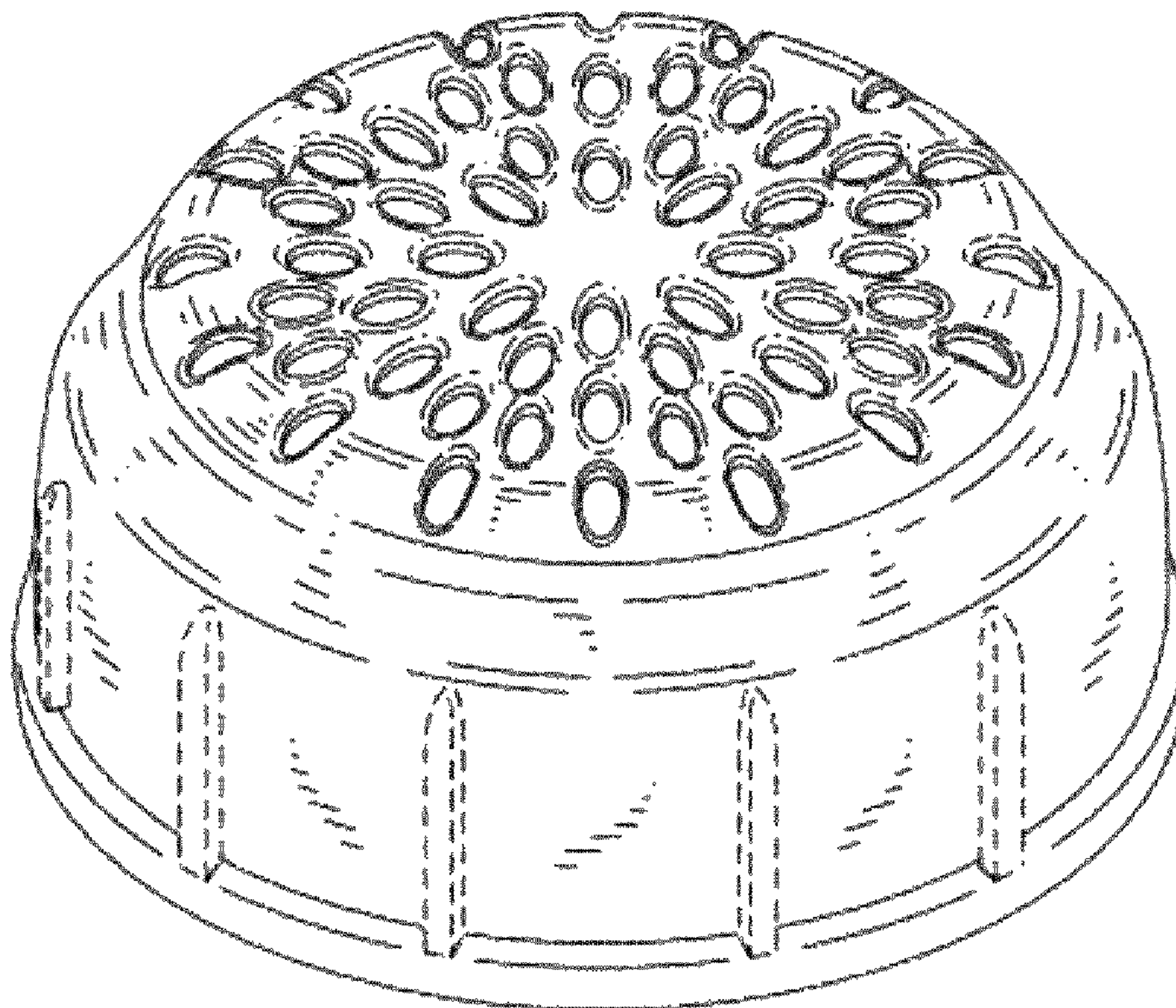
The broken lines showing a threaded connection and the
vertical grips form no part of the claimed design.

(56) **References Cited**

U.S. PATENT DOCUMENTS

| | | | | | | |
|-----------|---|---|---------|----------------|-------|----------|
| D63,273 | S | * | 11/1923 | Switzer | | D7/392 |
| D162,005 | S | * | 2/1951 | Burroughs | | D7/591 |
| 3,125,260 | A | * | 3/1964 | Dreps | | 222/548 |
| 3,194,455 | A | * | 7/1965 | Castelli | | 222/545 |
| 3,261,516 | A | * | 7/1966 | Allen | | 222/548 |
| D318,227 | S | * | 7/1991 | Halm | | D32/29.1 |
| D333,754 | S | * | 3/1993 | Conti | | D7/392.1 |
| D411,409 | S | * | 6/1999 | Wallays et al. | | D7/392 |

1 Claim, 4 Drawing Sheets



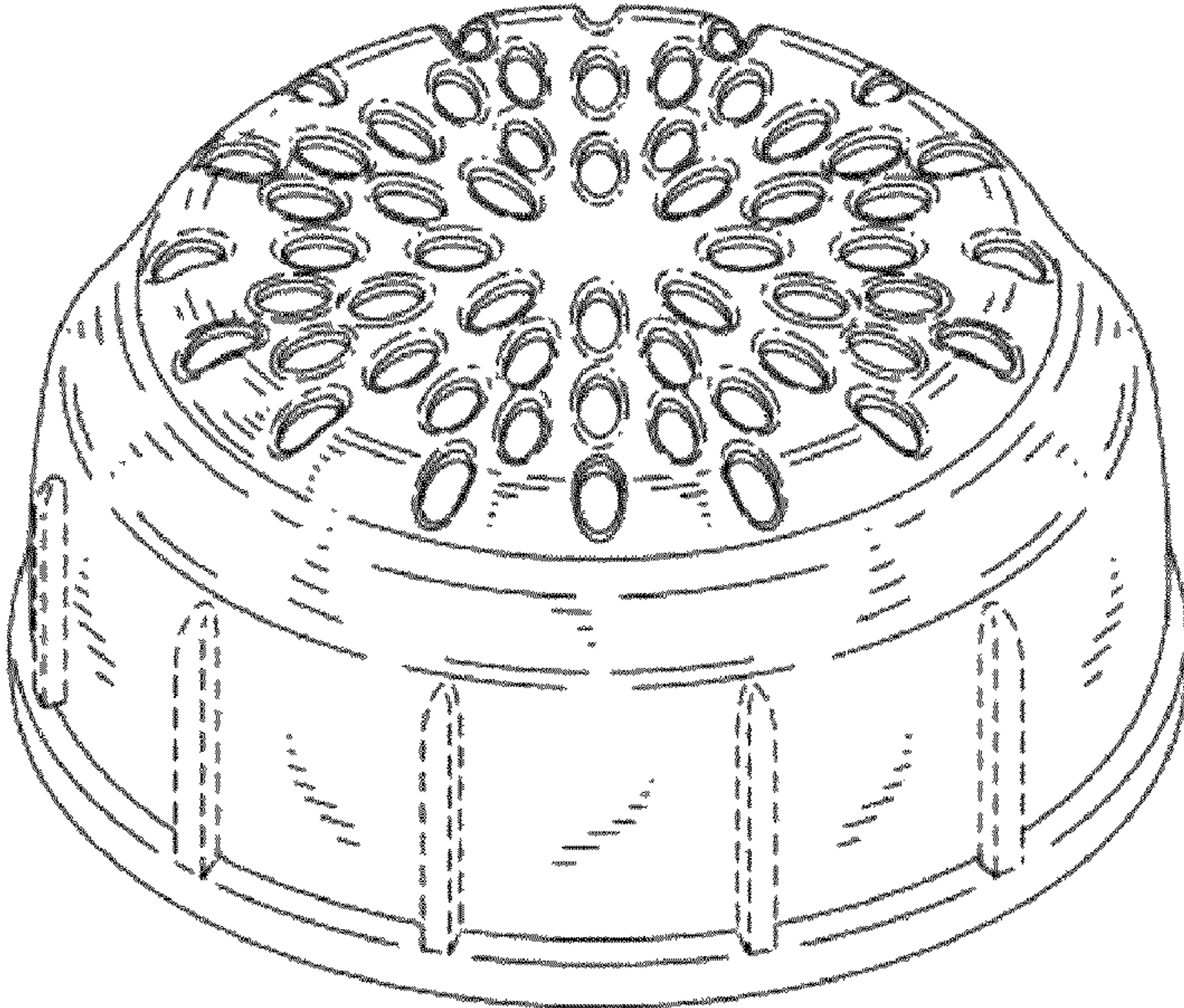


FIG. 1

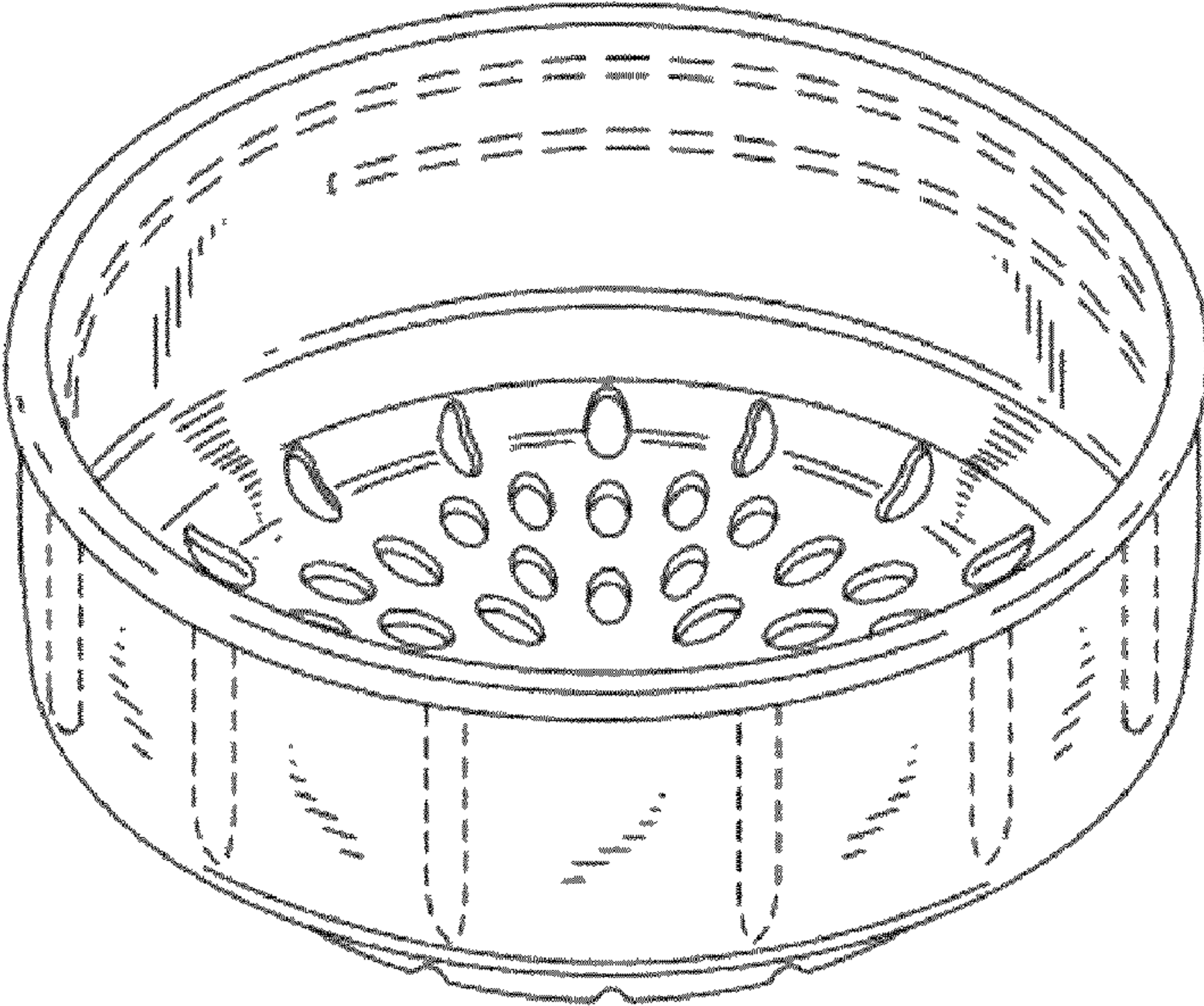


FIG. 2

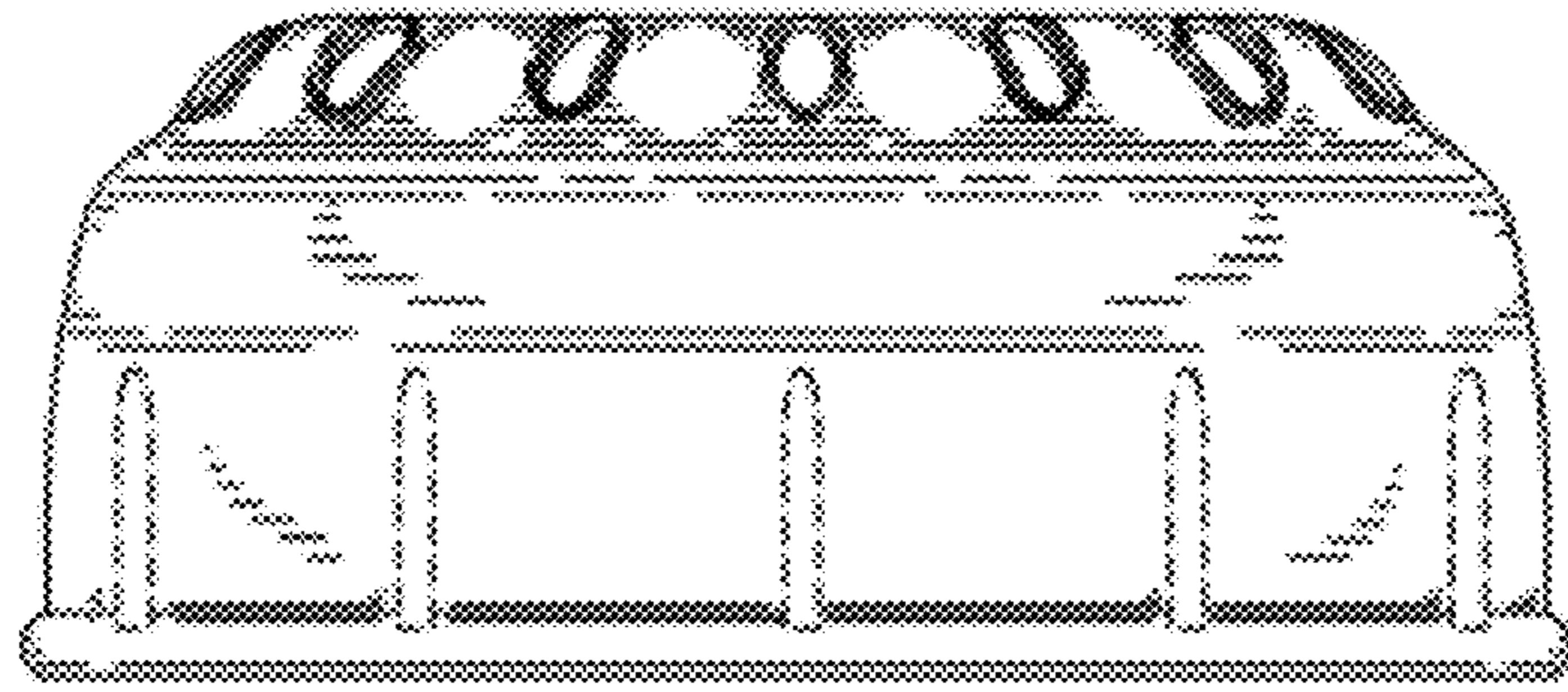


FIG. 3

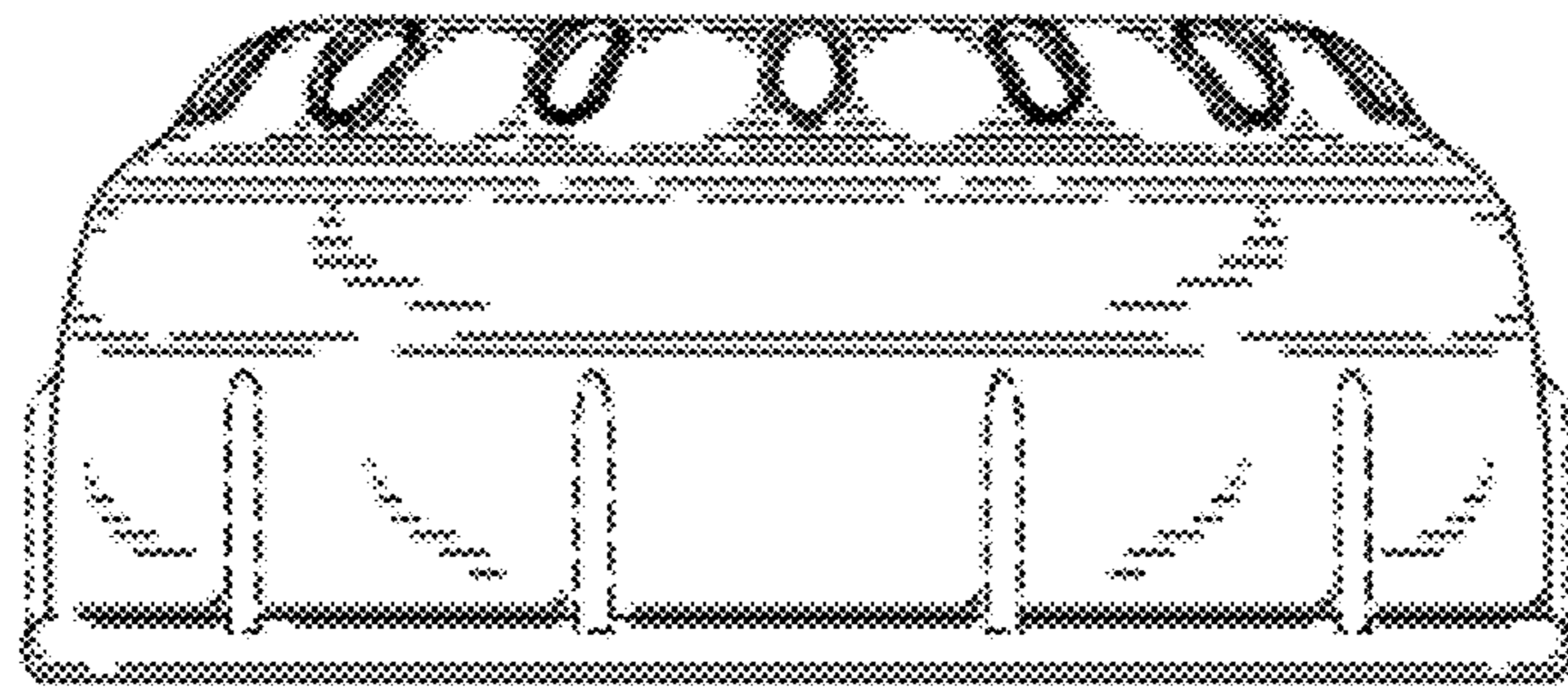


FIG. 4

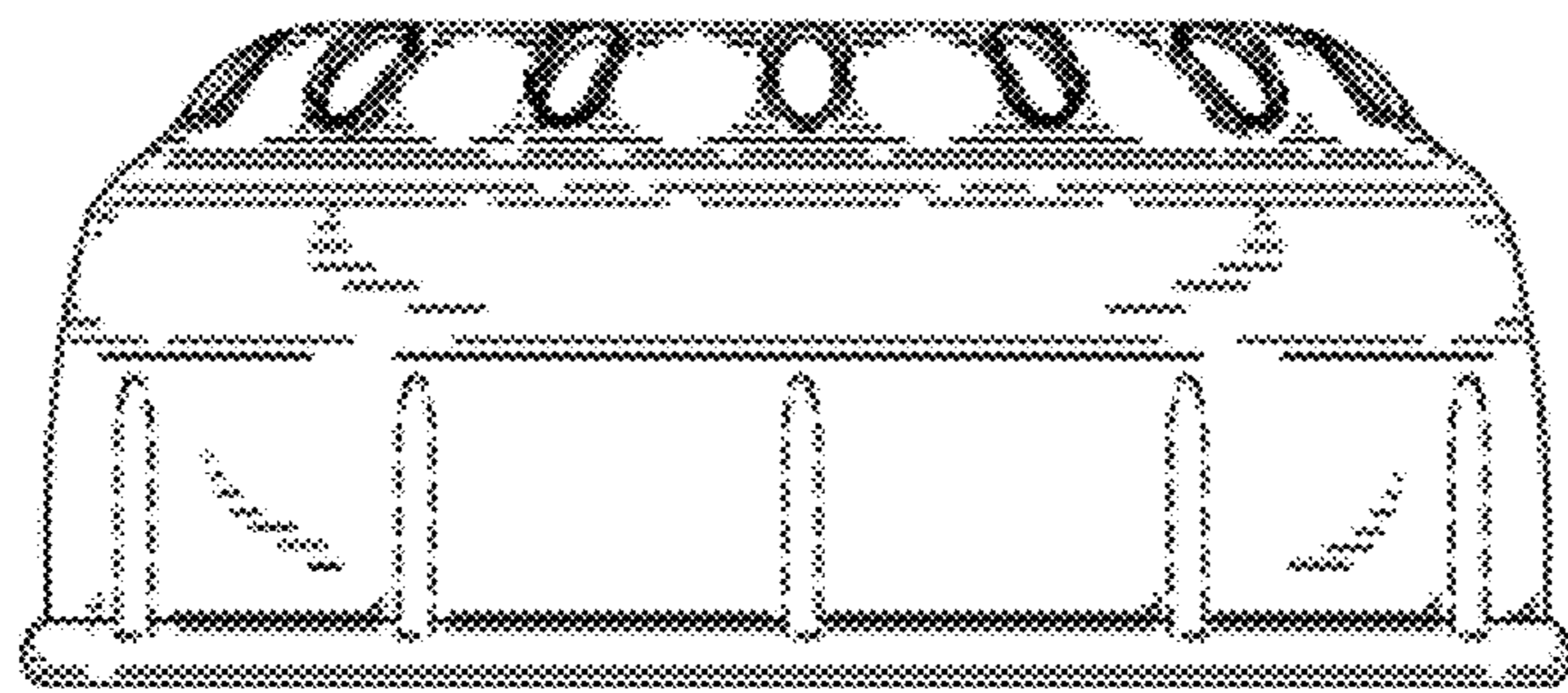


FIG. 5

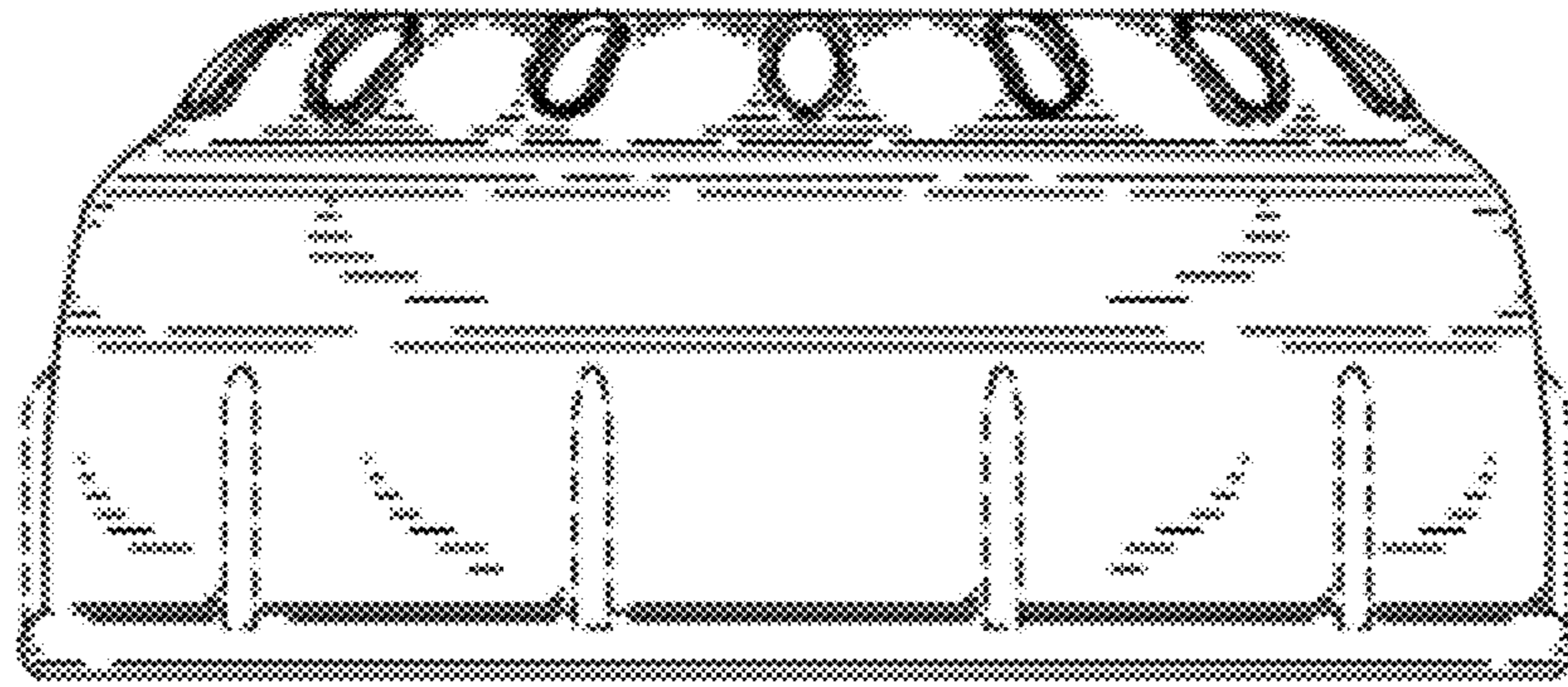


FIG. 6

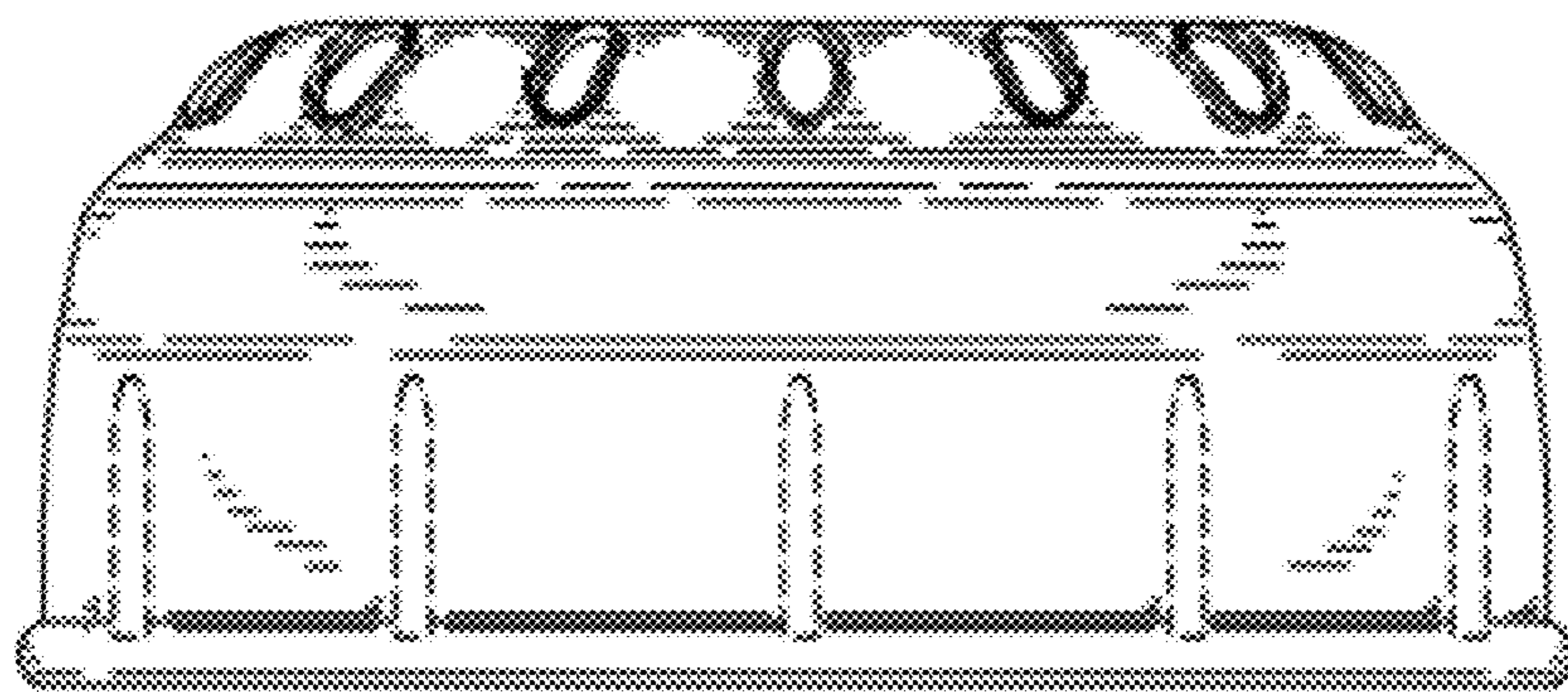


FIG. 7

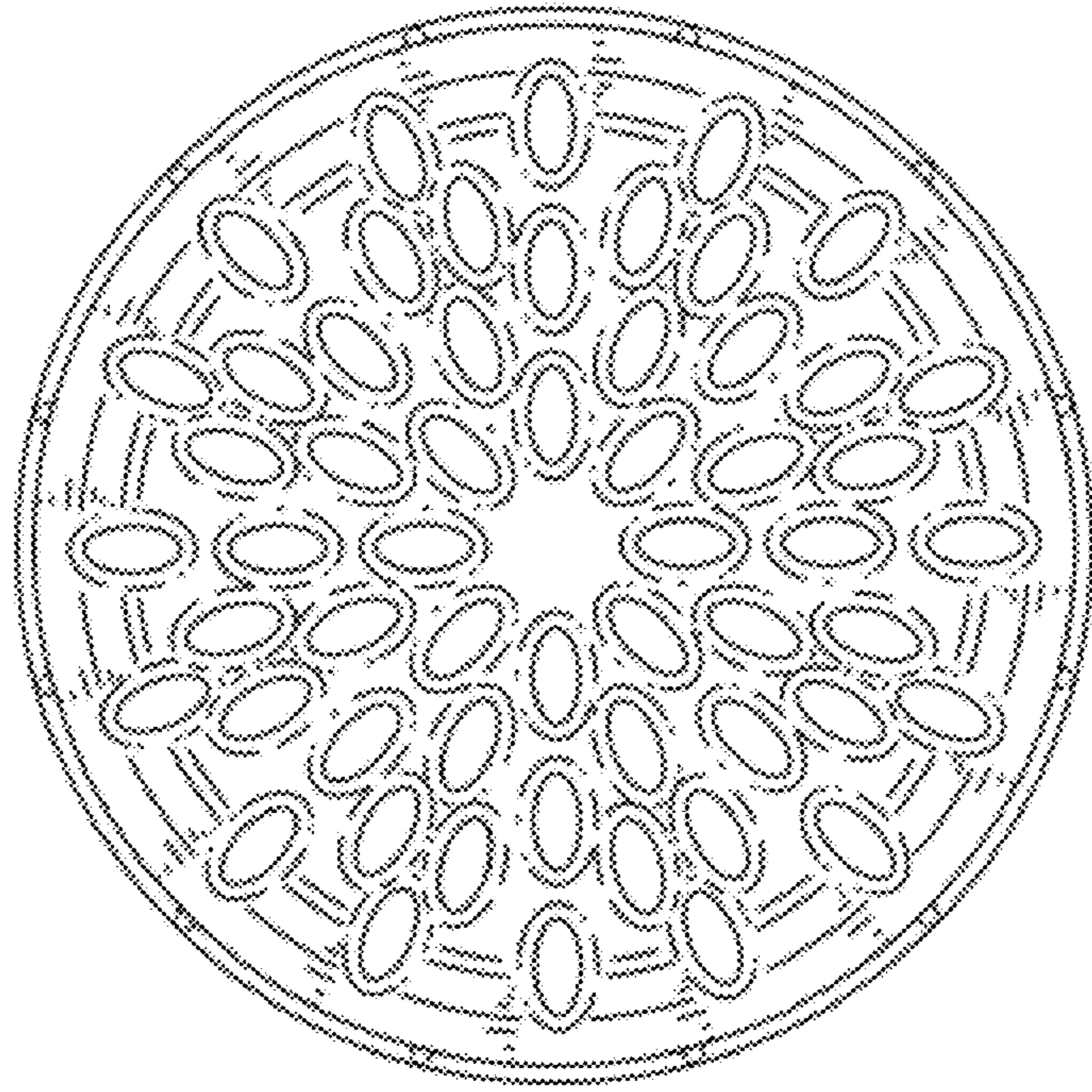


FIG. 8

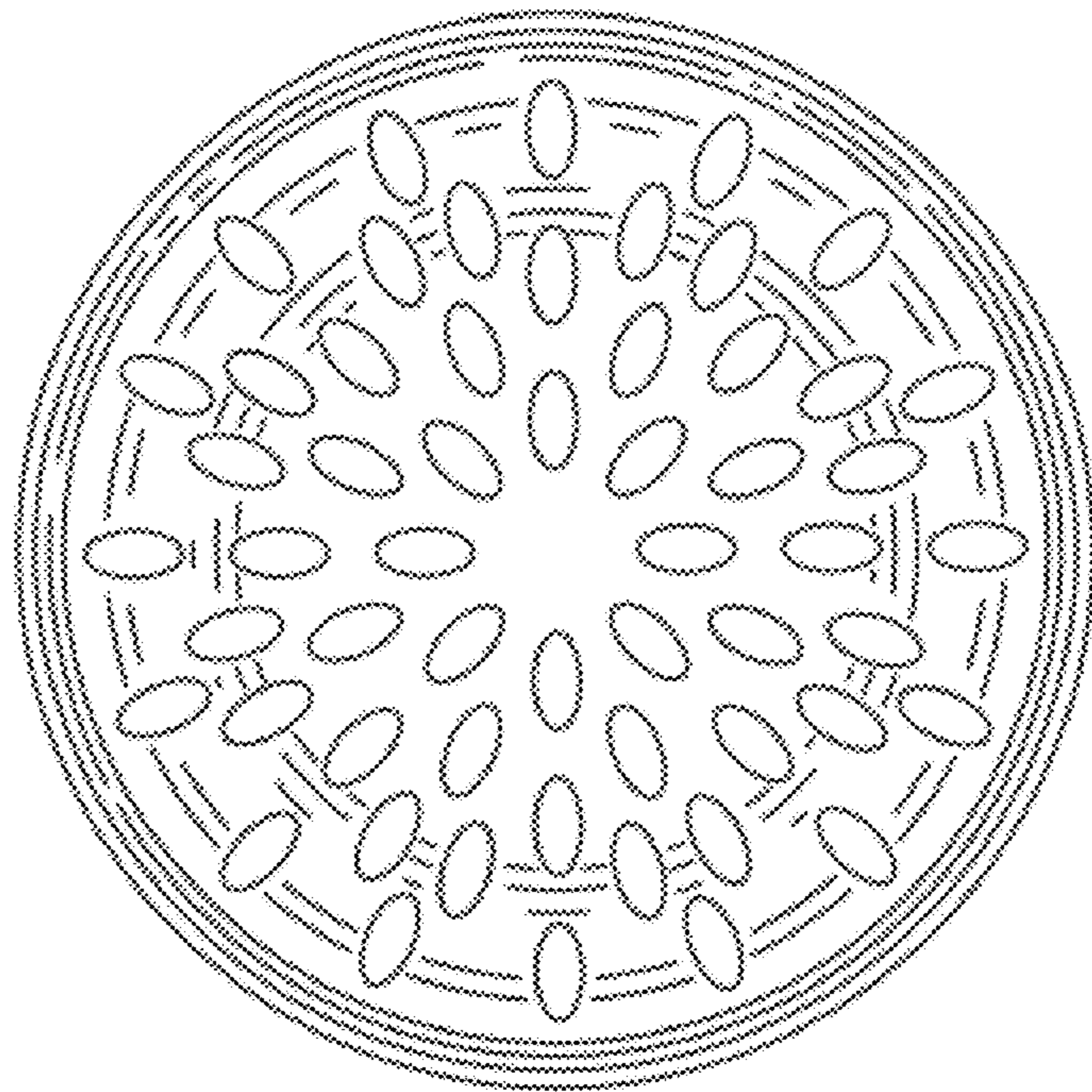


FIG. 9