



US00D658932S

(12) **United States Design Patent**
Facey

(10) **Patent No.:** **US D658,932 S**

(45) **Date of Patent:** **** May 8, 2012**

(54) **CAKE POP MOLD**

(76) Inventor: **Jeanette Facey**, Osterville, MA (US)

(**) Term: **14 Years**

(21) Appl. No.: **29/403,464**

(22) Filed: **Oct. 6, 2011**

(51) **LOC (9) Cl.** **07-02**

(52) **U.S. Cl.** **D7/354**

(58) **Field of Classification Search** D3/206,
D3/265, 294-304, 307-309; D7/300, 323-325,
D7/354-363, 402, 505, 538-545, 552.1, 554.3-554.4,
D7/560, 566, 585-588, 601-602, 612-615,
D7/628-629, 672; D9/424-432, 449, 456,
D9/504, 519, 644, 692, 707, 715, 726, 760-761,
D9/776; D23/364-367; 99/324, 426;
220/23.2-23.6, 573.1-573.3, 574-575, 657,
220/780-806, 912; 222/512, 548; 422/123
See application file for complete search history.

(56) **References Cited**

U.S. PATENT DOCUMENTS

| | | | | | |
|-----------|-----|---------|-----------------|-------|---------|
| 2,717,727 | A * | 9/1955 | Robb | | 222/512 |
| D196,985 | S * | 11/1963 | Schnering | | D9/644 |
| D200,806 | S * | 4/1965 | Pava | | D9/707 |
| D449,777 | S * | 10/2001 | Vignon | | D9/504 |
| D460,545 | S * | 7/2002 | Hautmann et al. | | D23/366 |
| D509,894 | S * | 9/2005 | Hoyt et al. | | D23/366 |
| D522,375 | S * | 6/2006 | Archeny | | D9/644 |
| D530,221 | S * | 10/2006 | Paglina | | D9/692 |
| D536,434 | S * | 2/2007 | DongSheng | | D23/366 |

| | | | | | |
|--------------|------|---------|----------------|-------|---------|
| D577,428 | S * | 9/2008 | Sun | | D23/366 |
| D597,191 | S * | 7/2009 | Colombo et al. | | D23/366 |
| D604,116 | S * | 11/2009 | Braidotti | | D7/628 |
| 2003/0064009 | A1 * | 4/2003 | Baaset | | 422/123 |

* cited by examiner

Primary Examiner — Ricky Pham

(74) *Attorney, Agent, or Firm* — Fish & Richardson P.C.

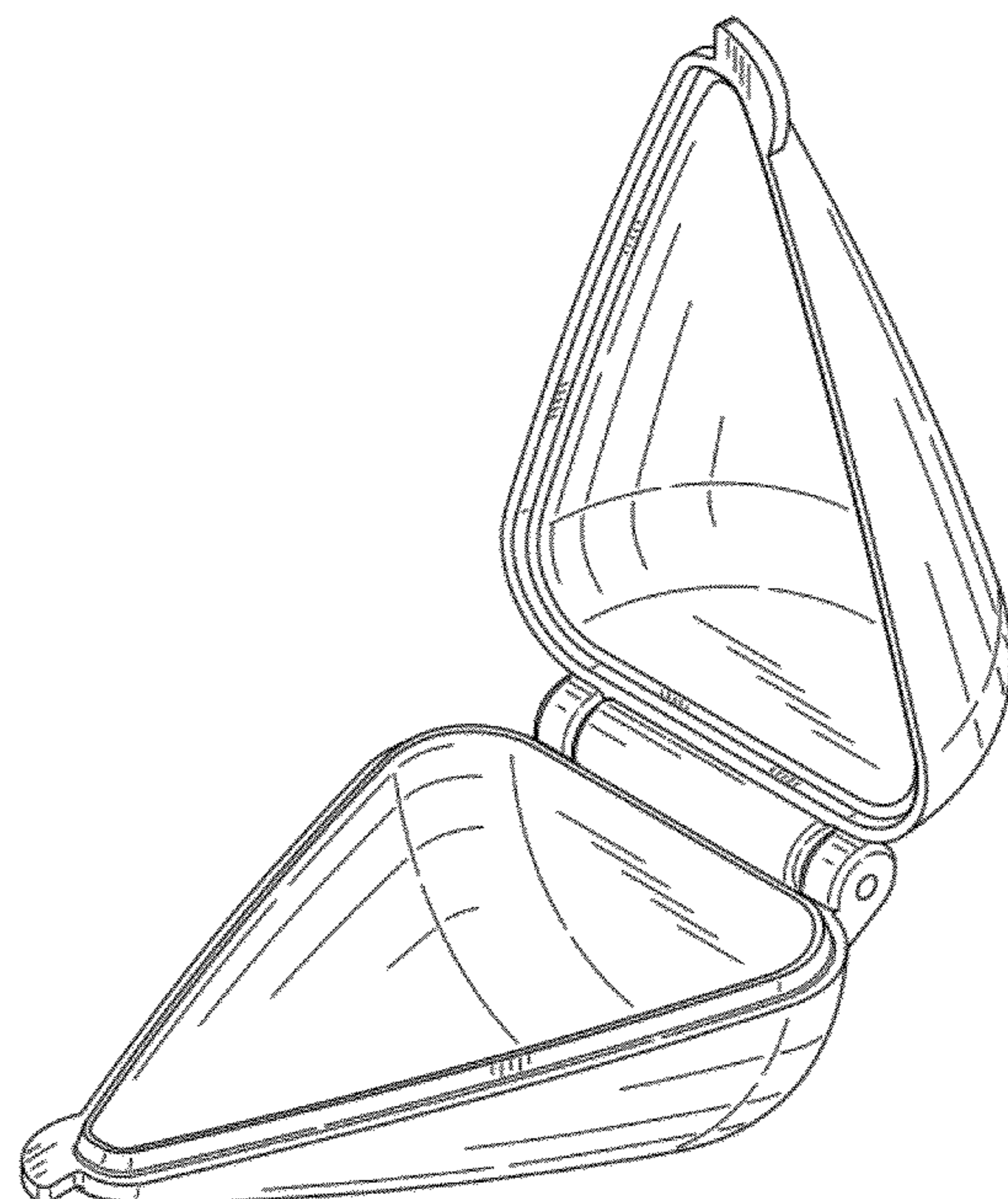
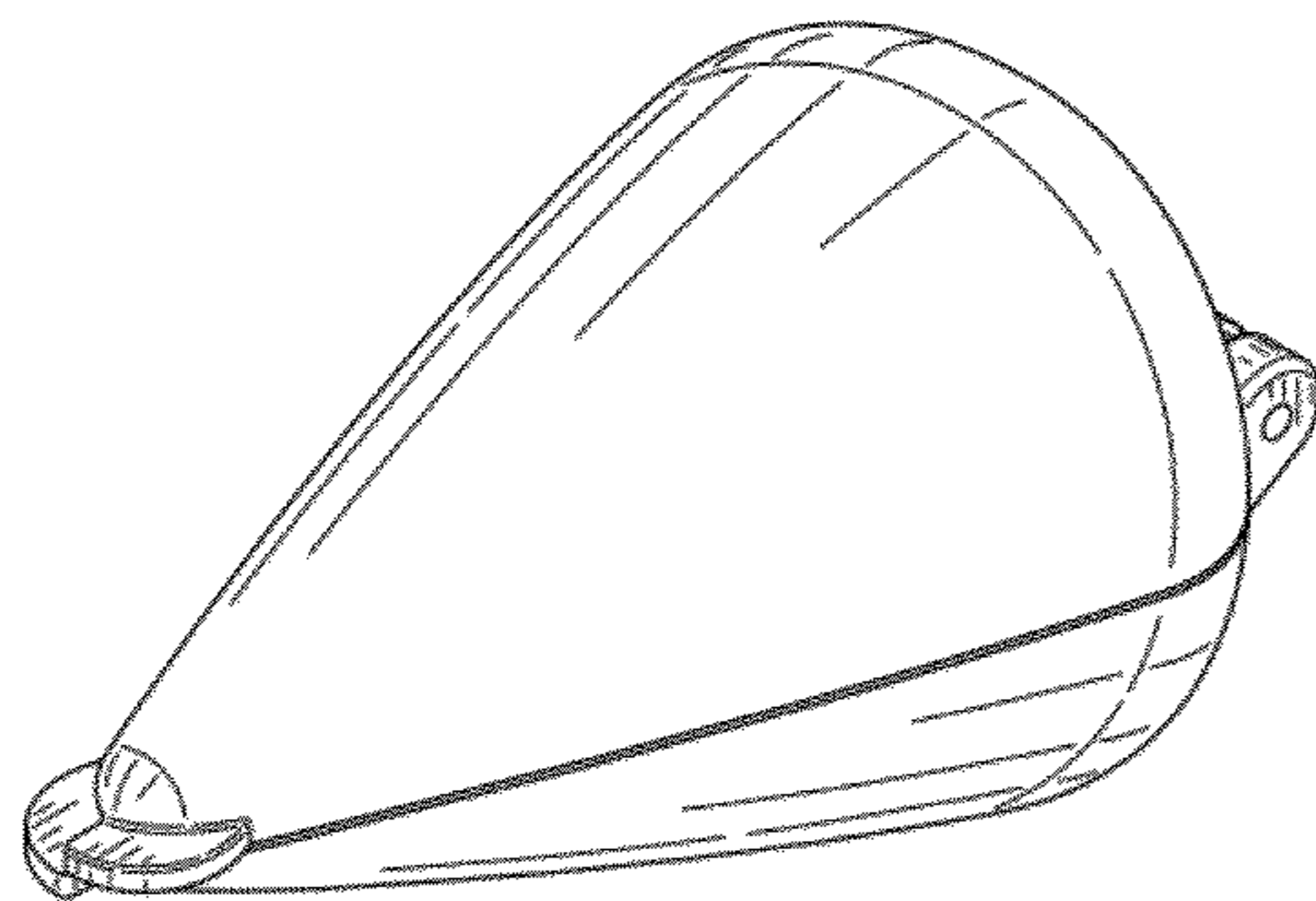
(57) **CLAIM**

The ornamental design for a cake pop mold, substantially as shown and described.

DESCRIPTION

FIG. 1 is a perspective view of the cake pop mold in a closed position;
FIG. 2 is a front view of the cake pop mold in the closed position;
FIG. 3 is a back view of the cake pop mold in the closed position;
FIG. 4 is a right side view of the cake pop mold in the closed position;
FIG. 5 is a left side view of the cake pop mold in the closed position;
FIG. 6 is a top view of the cake pop mold in the closed position;
FIG. 7 is a bottom view of the cake pop mold in the closed position; and,
FIG. 8 is a perspective view of the cake pop mold in a partially open position.

1 Claim, 3 Drawing Sheets



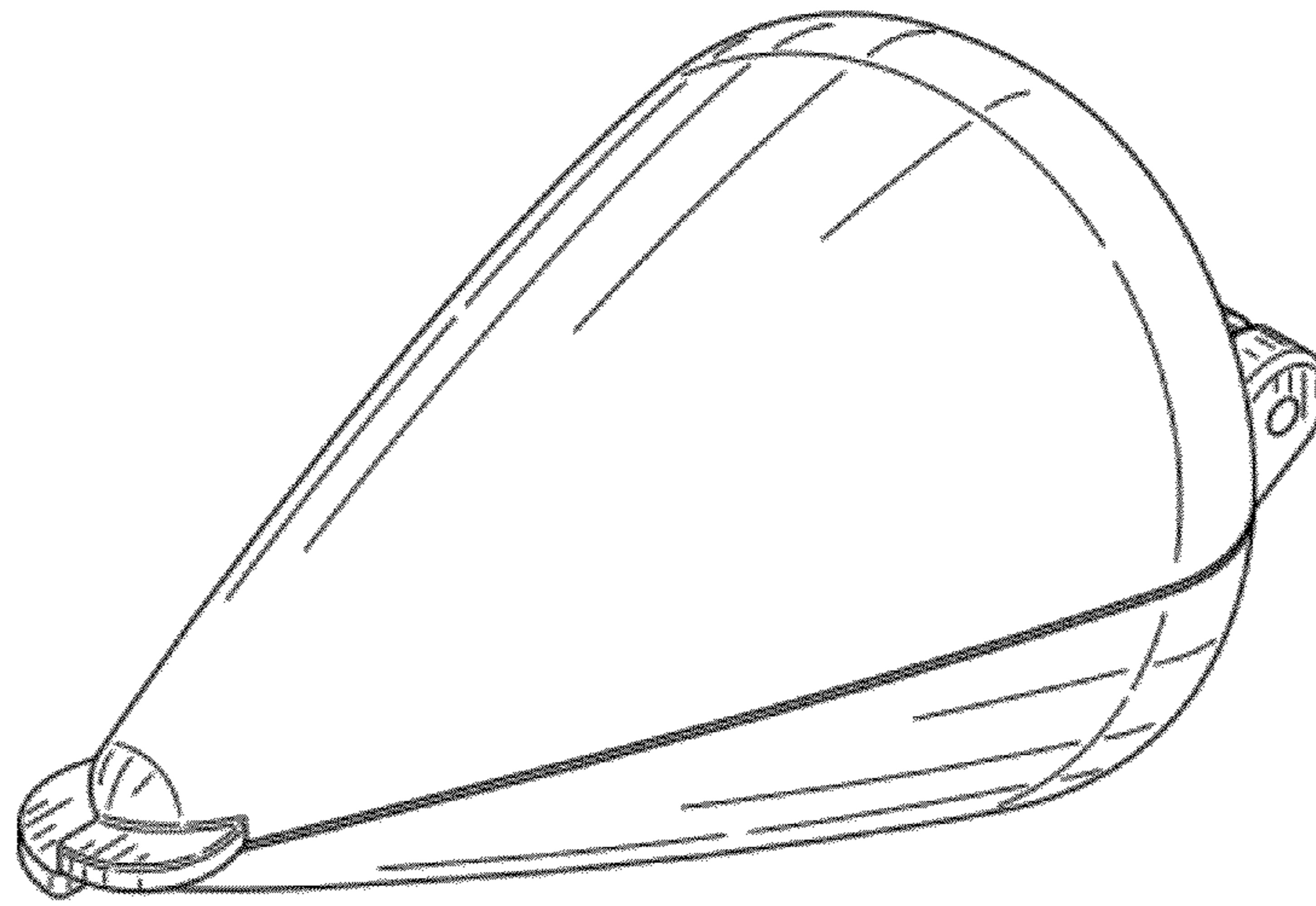


FIG. 1

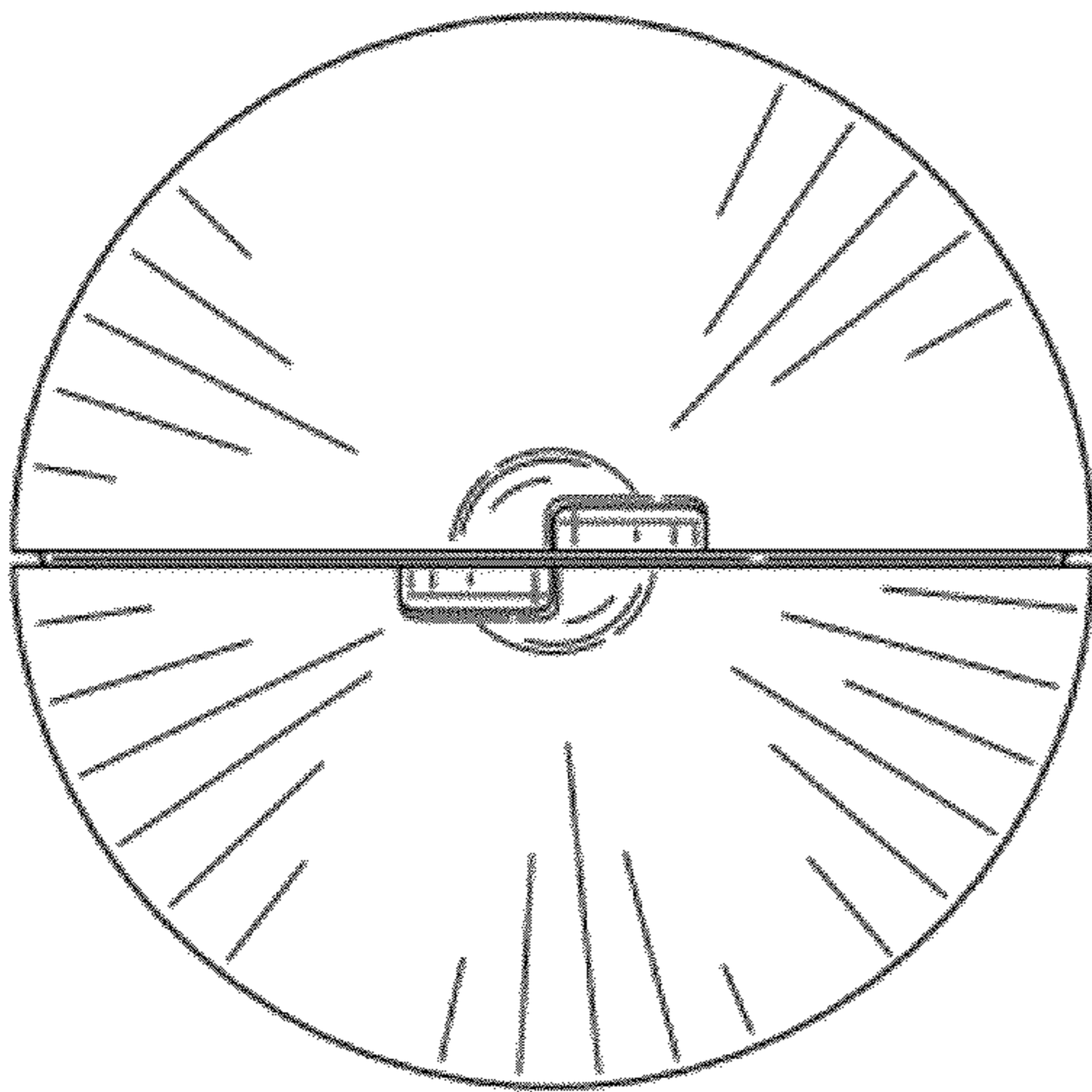


FIG. 2

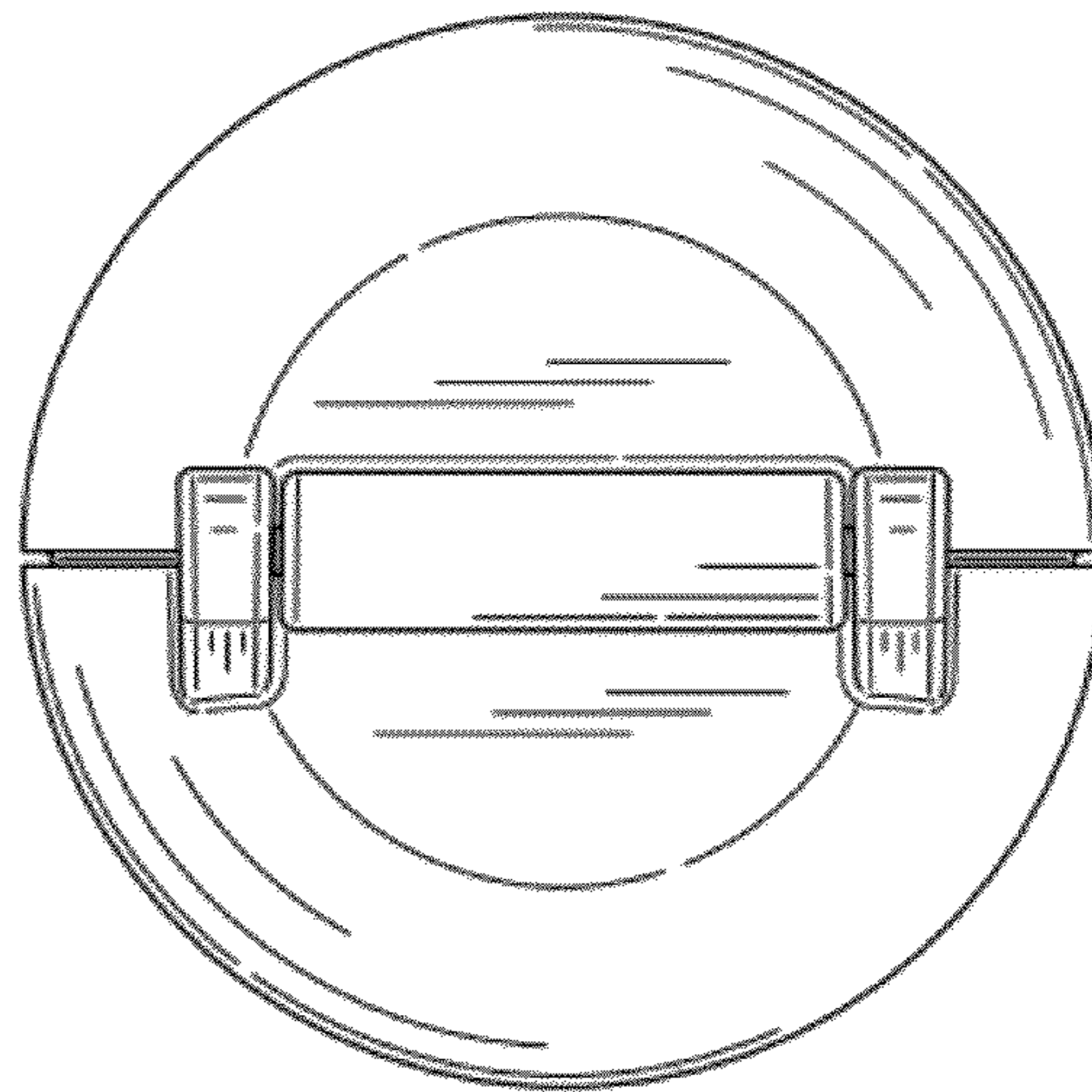


FIG. 3

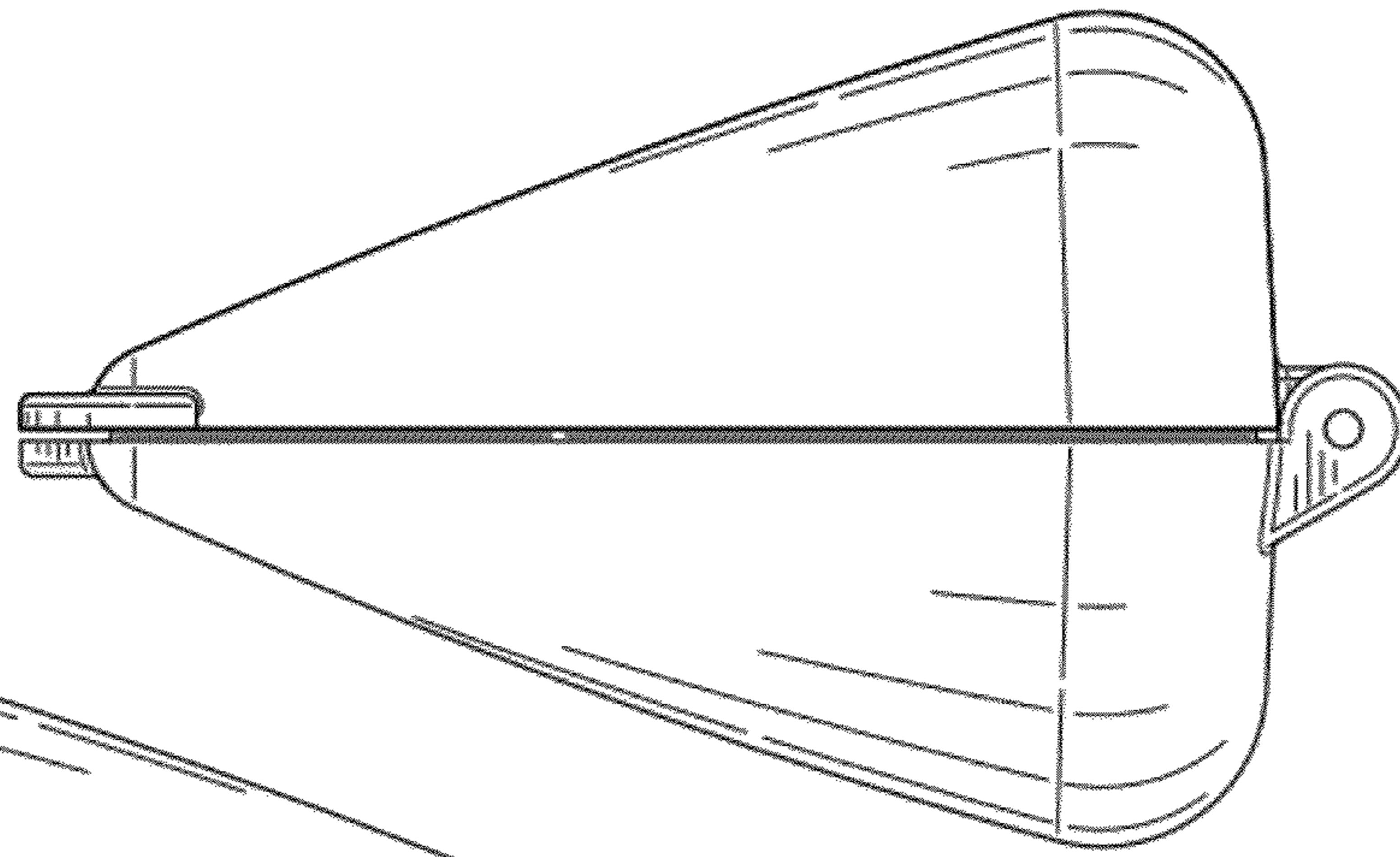


FIG. 4

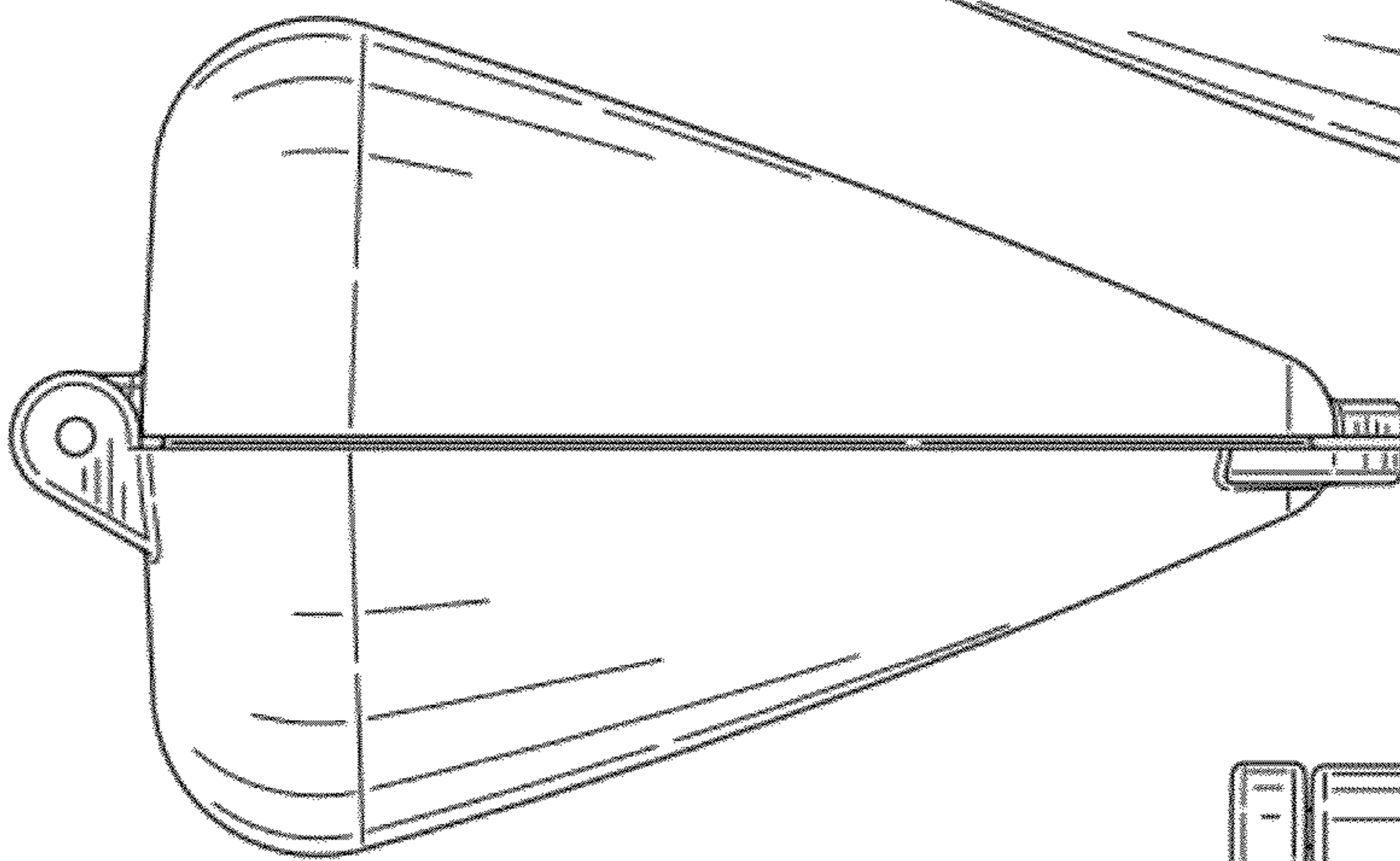


FIG. 5

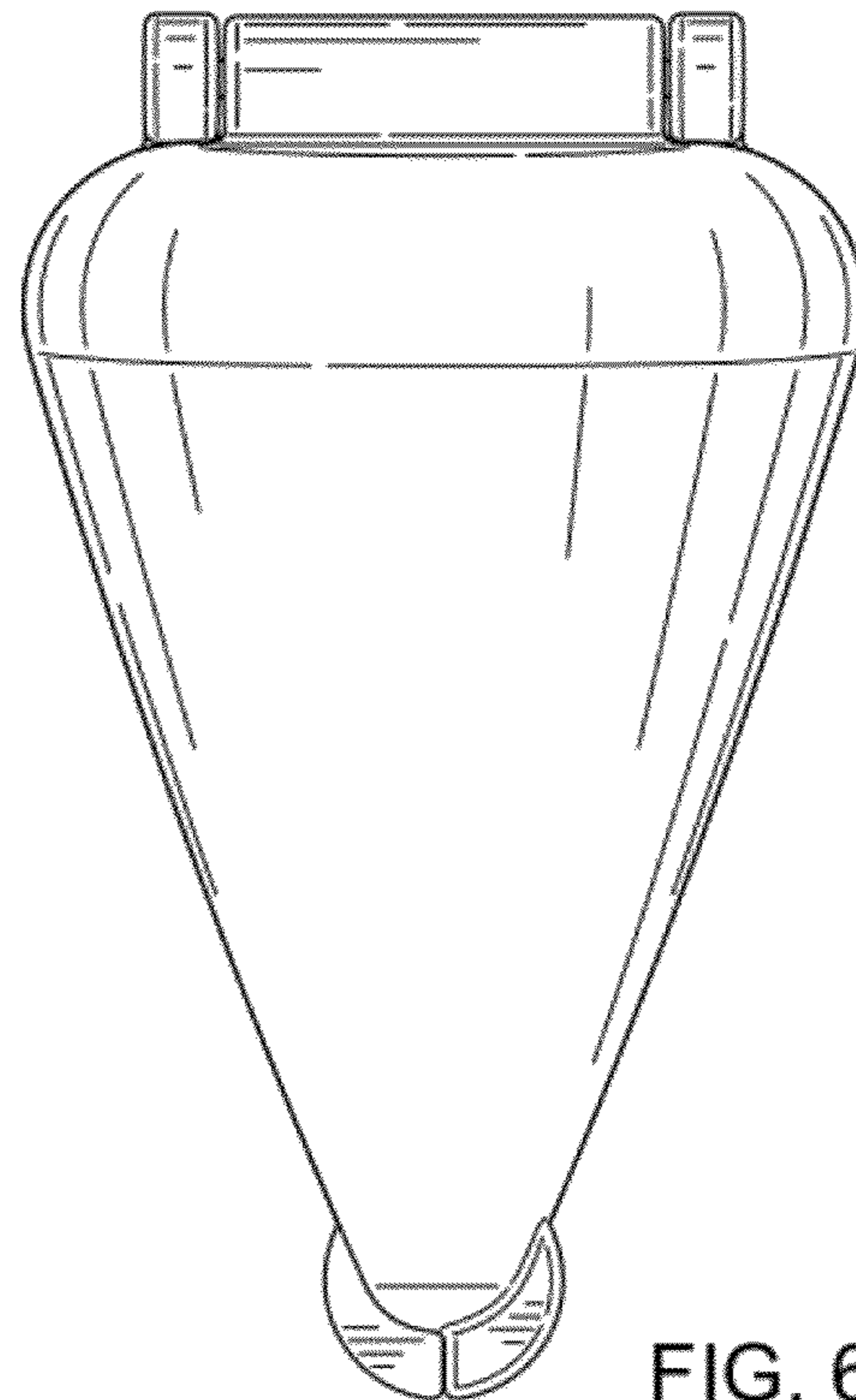


FIG. 6

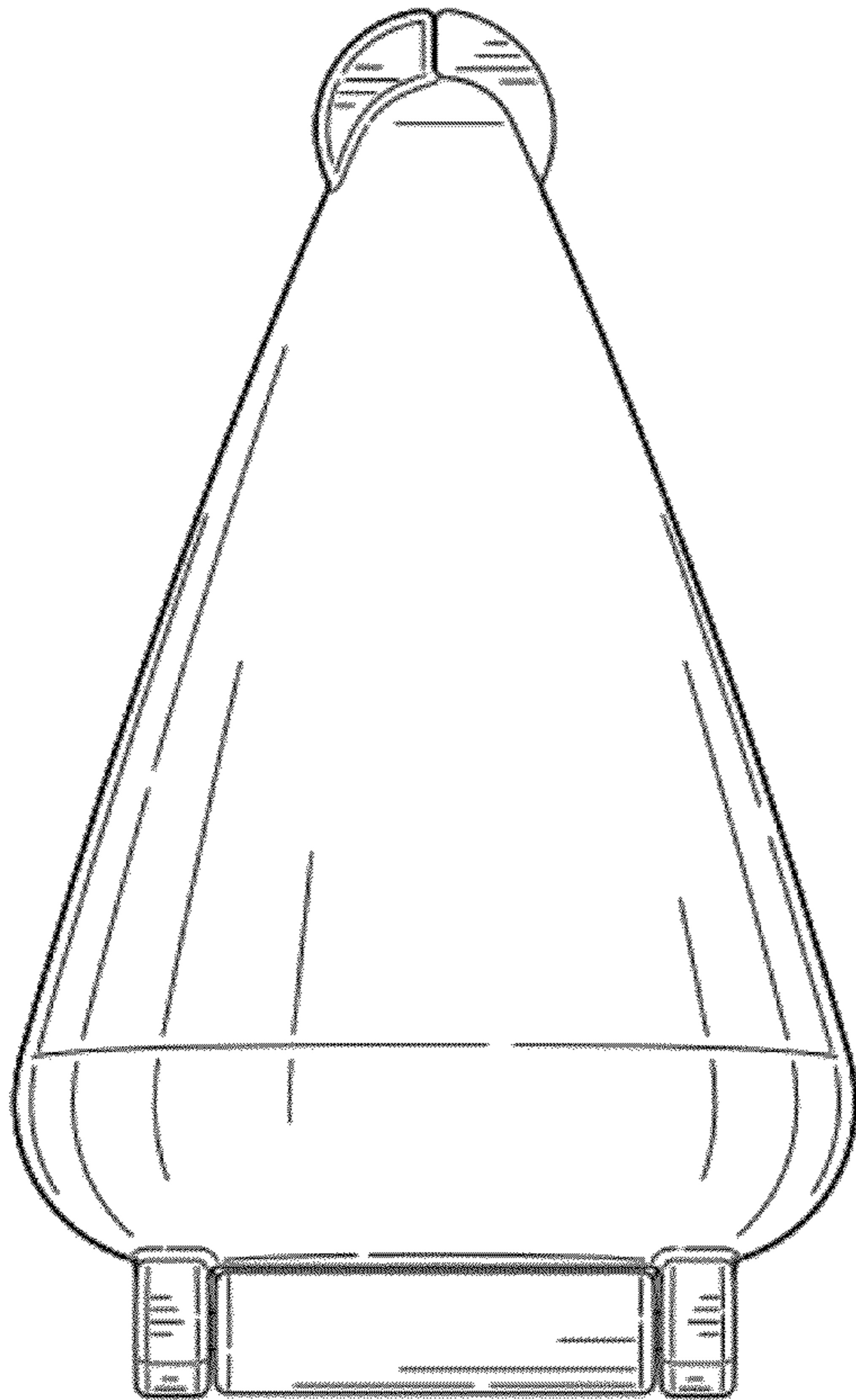


FIG. 7

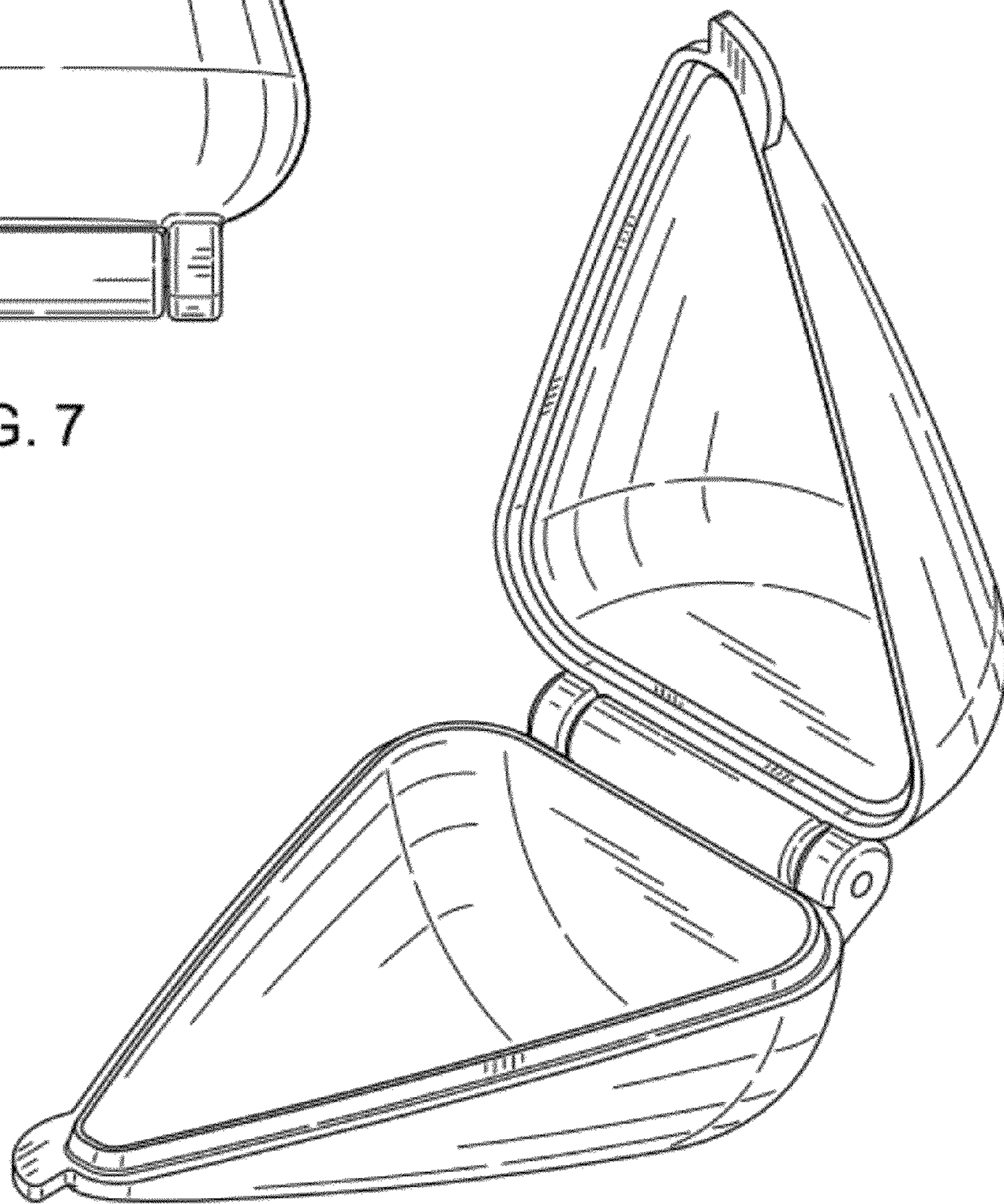


FIG. 8