



US00D658931S

(12) **United States Design Patent**
Joutras

(10) **Patent No.:** **US D658,931 S**

(45) **Date of Patent:** **** May 8, 2012**

(54) **CONVERTIBLE BAKEWARE**

(76) **Inventor:** **Rick Joutras**, Naperville, IL (US)

(**) **Term:** **14 Years**

(21) **Appl. No.:** **29/374,663**

(22) **Filed:** **Sep. 16, 2011**

(51) **LOC (9) Cl.** **07-02**

(52) **U.S. Cl.** **D7/354**

(58) **Field of Classification Search** D7/323,
D7/329-332, 337, 339, 346-347, 350.1-350.4,
D7/354-363, 391, 393, 395, 402, 409, 538,
D7/541-546, 554.2, 552.2, 553.3, 565, 585-587,
D7/602, 629, 676, 682; 99/279, 324-325,
99/330-332, 337-340, 369, 403-425, 444,
99/450; 126/25 A, 41 R, 275 R, 380.1, 390.1;
206/501-505, 507-508; 219/400, 405, 435-442,
219/620-624, 725, 730-735, 754-755; 220/4.26,
220/6-8, 485, 491, 532, 543, 573.1-573.5,
220/574, 607, 658, 759, 771, 912; 426/389,
426/509

See application file for complete search history.

(56) **References Cited**

U.S. PATENT DOCUMENTS

D326,797 S * 6/1992 Pomroy et al. D7/538

(Continued)

Primary Examiner — Ricky Pham

(74) *Attorney, Agent, or Firm* — Olson & Cepuritis, Ltd.

(57) **CLAIM**

The ornamental design for convertible bakeware with a bowl portion and a plate portion, as shown and described.

DESCRIPTION

FIG. 1 is a top perspective view of our design showing convertible bakeware with a bowl portion and a removable plate portion with optional ornamentation in broken lines;

FIG. 2 is a bottom perspective view of the bakeware of FIG. 1;

FIG. 3 is a side elevation view of the bakeware of FIG. 1;

FIG. 4 is another side elevation view of the bakeware of FIG. 1, which is the opposite side view of that in FIG. 3;

FIG. 5 is a top plan view of the bakeware of FIG. 1;

FIG. 6 is a bottom plan view of the bakeware of FIG. 1;

FIG. 7 is a front elevation view of the bakeware of FIG. 1;

FIG. 8 is a rear elevation view of the bakeware of FIG. 1;

FIG. 9 is an inverted perspective view of the plate of the bakeware of our design with raised pattern in broken lines;

FIG. 10 is an inverted side elevation view of the plate of FIG. 9;

FIG. 11 is an inverted front elevation view of the plate of FIG. 9;

FIG. 12 is a top plan view of the plate of FIG. 9;

FIG. 13 is a bottom plan view of the plate of FIG. 9;

FIG. 14 is a perspective view of the bowl of the bakeware of our design;

FIG. 15 is a side elevation view of the bowl of FIG. 14;

FIG. 16 is a front elevation view of the bowl of FIG. 14;

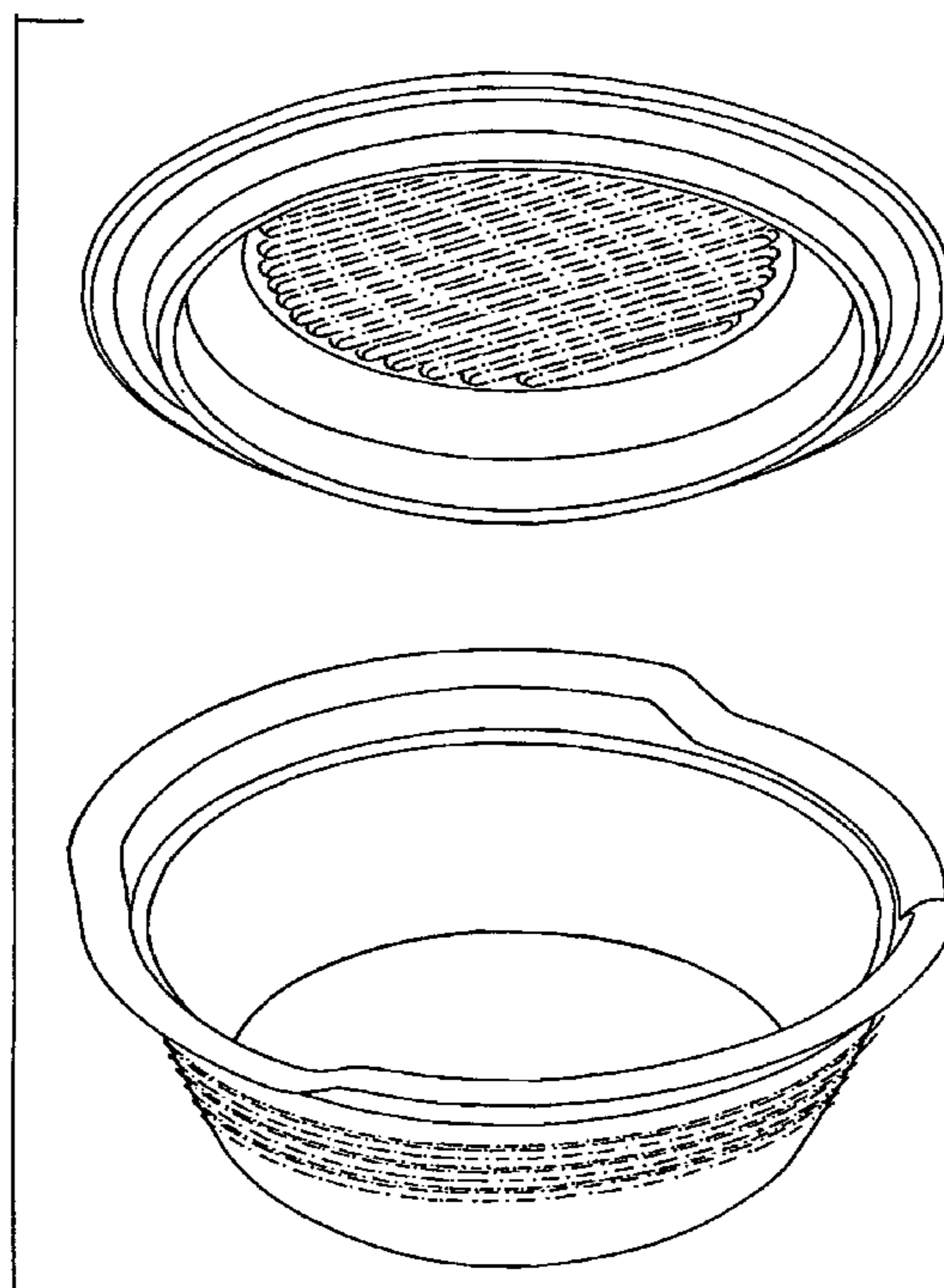
FIG. 17 is a top plan view of the bowl of FIG. 14;

FIG. 18 is a bottom plan view of the bowl of FIG. 14; and,

FIG. 19 is an exploded view of the bakeware of FIG. 1.

The broken lines shown in the drawings are for illustrative purposes only and form no part of the claimed design.

1 Claim, 9 Drawing Sheets



US D658,931 S

Page 2

U.S. PATENT DOCUMENTS

D338,807 S *	8/1993	Conti	D7/545	D550,041 S *	9/2007	Rush et al.	D7/542
D442,019 S *	5/2001	Wyche	D7/354	D582,218 S *	12/2008	Curtin	D7/629
D476,861 S *	7/2003	Zettle et al.	D7/629	D597,793 S *	8/2009	Krueger et al.	D7/538
D485,470 S *	1/2004	Willis	D7/542	7,654,402 B2 *	2/2010	Kusuma et al.	220/8
6,698,336 B1	3/2004	Siegel et al.		2005/0127074 A1 *	6/2005	Kusuma et al.	220/6
D522,809 S *	6/2006	Kusuma et al.	D7/602	2008/0099476 A1 *	5/2008	Fung	220/6
D524,605 S *	7/2006	Czebiniak	D7/565				

* cited by examiner

Fig. 1

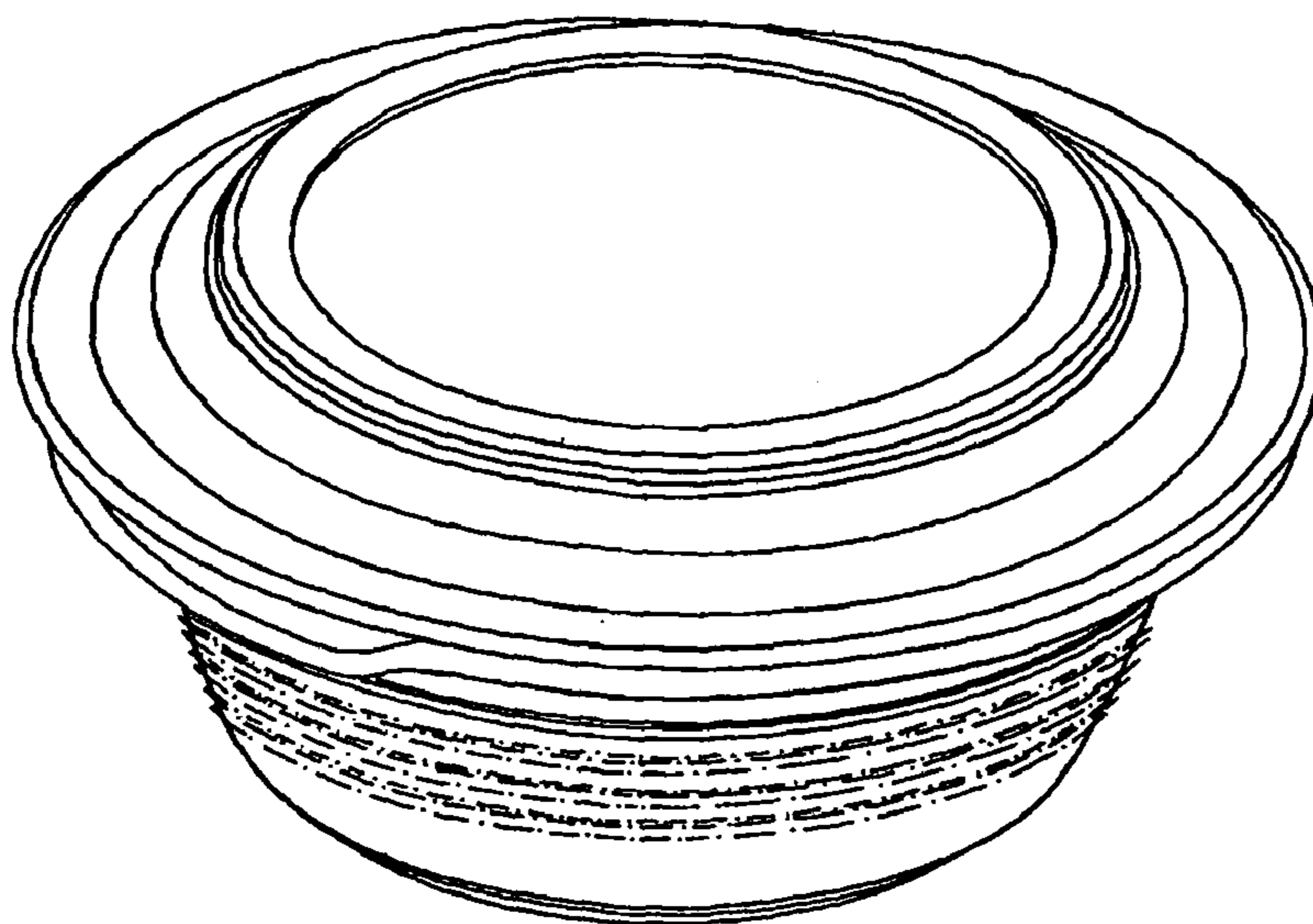


Fig. 2

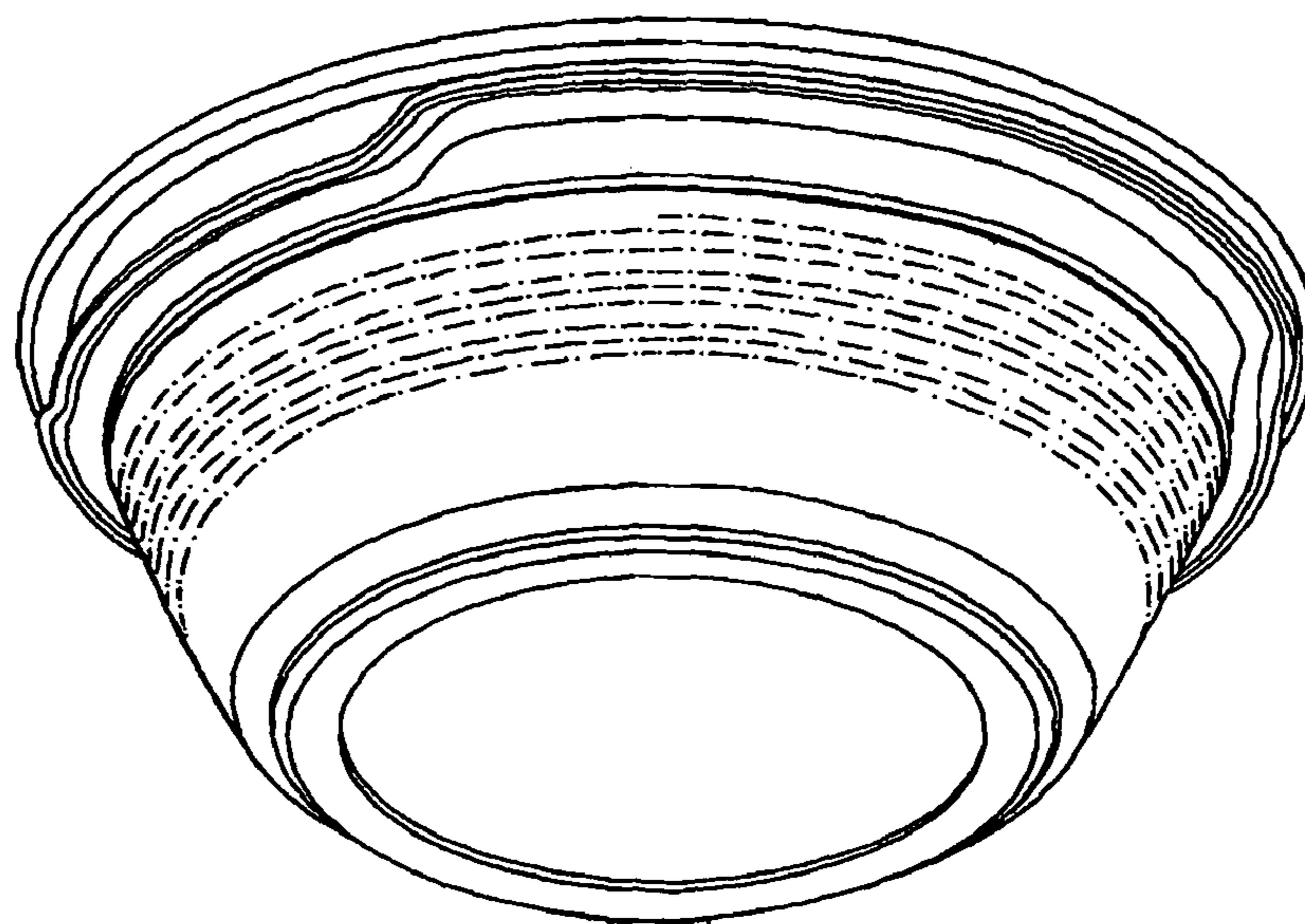


Fig. 3

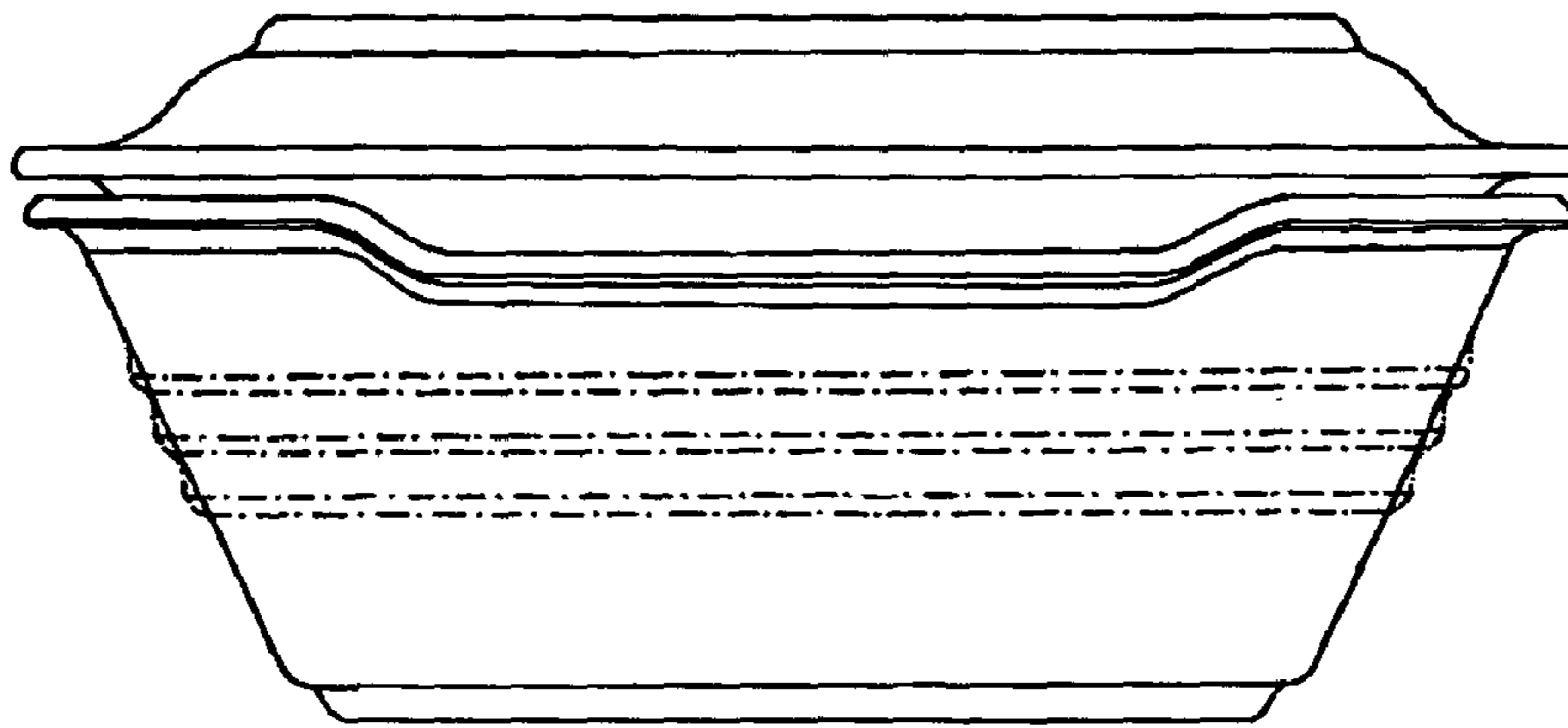
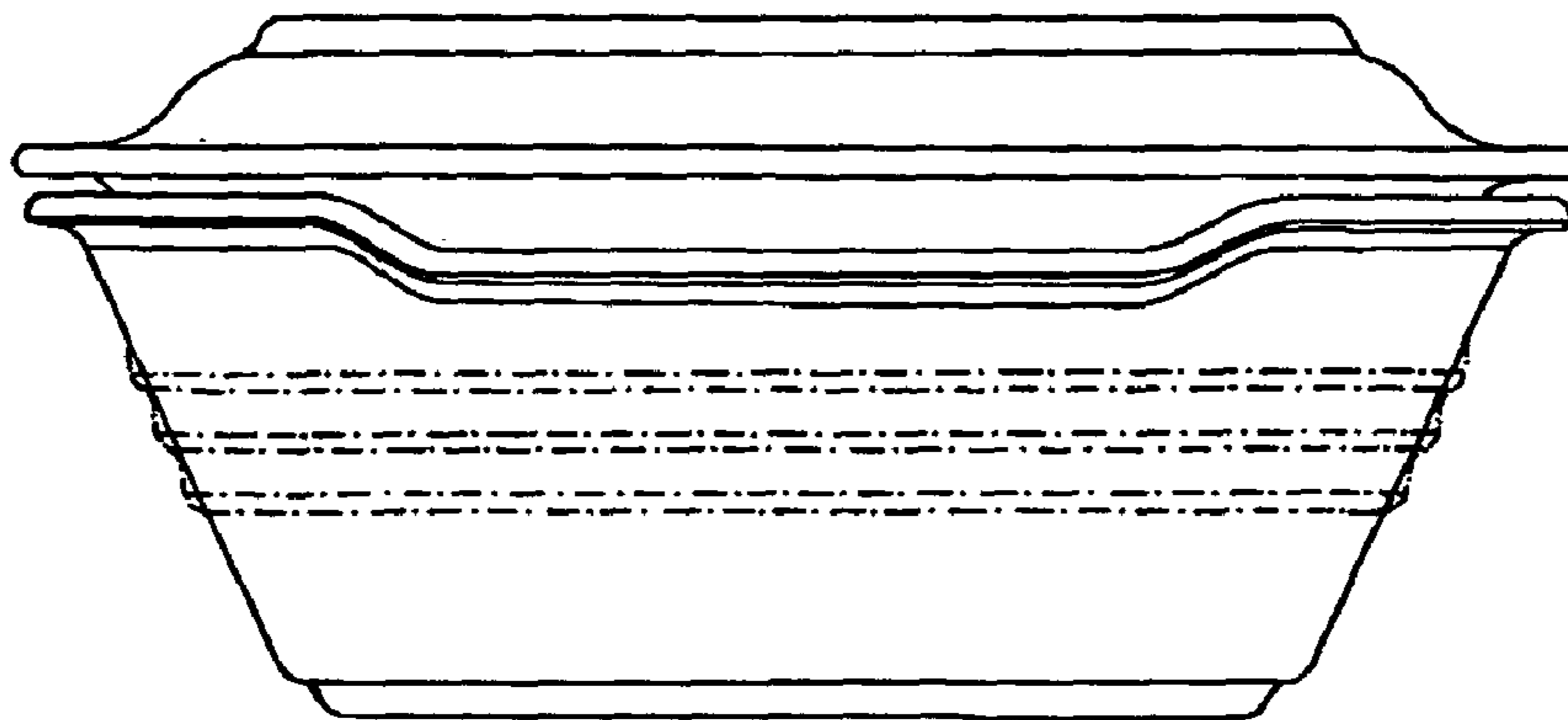


Fig. 4



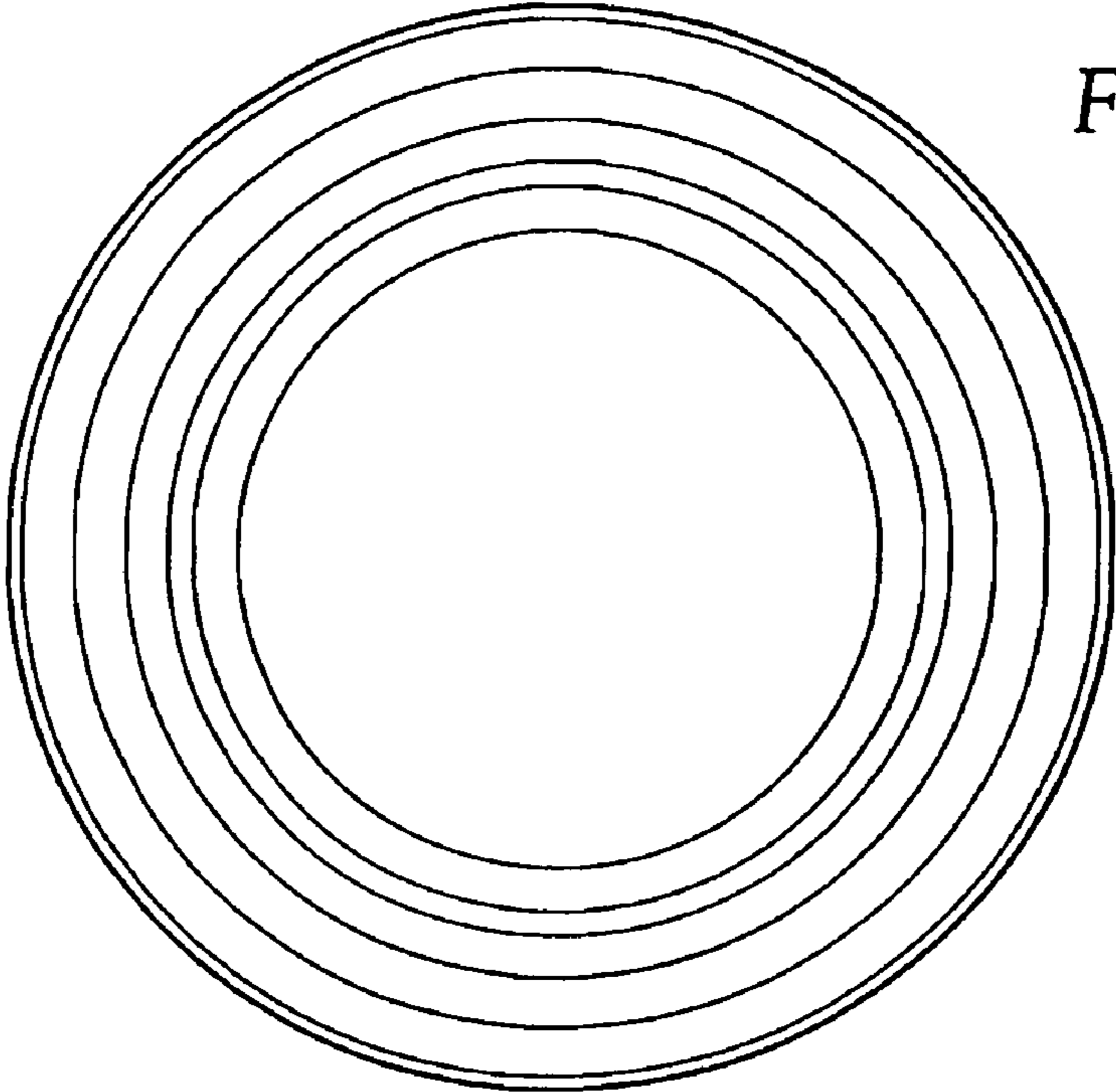


Fig. 5

Fig. 6

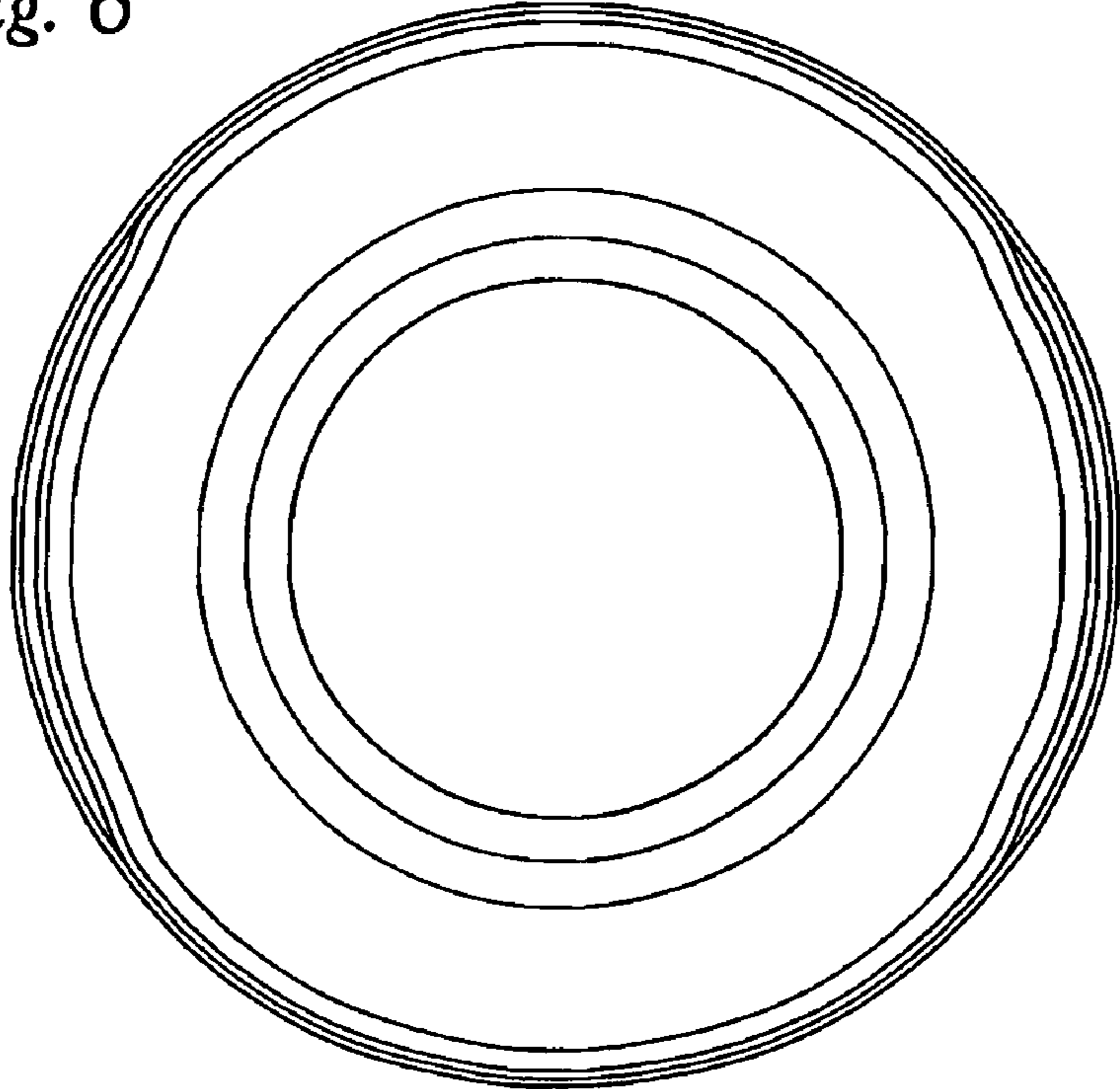


Fig. 7

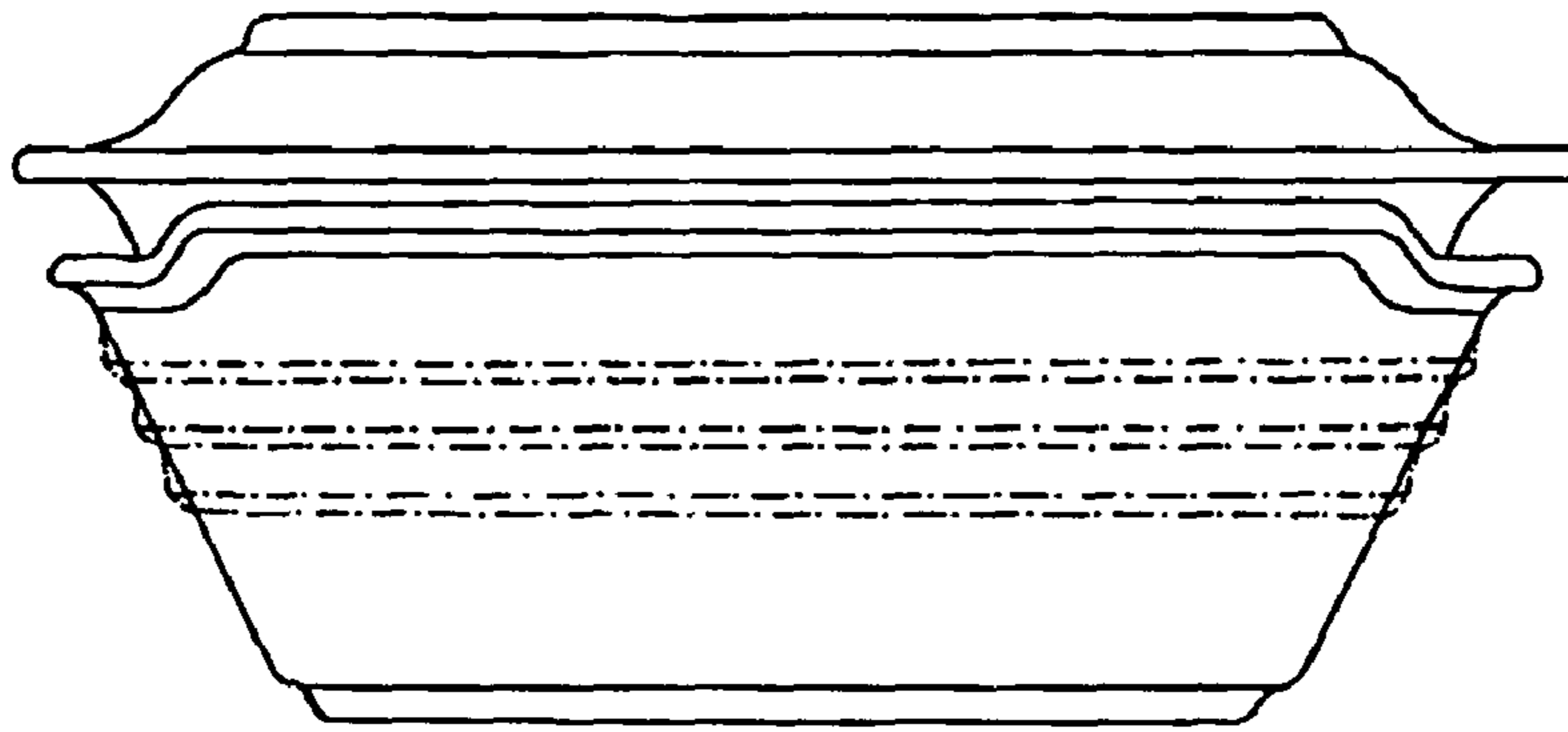


Fig. 8

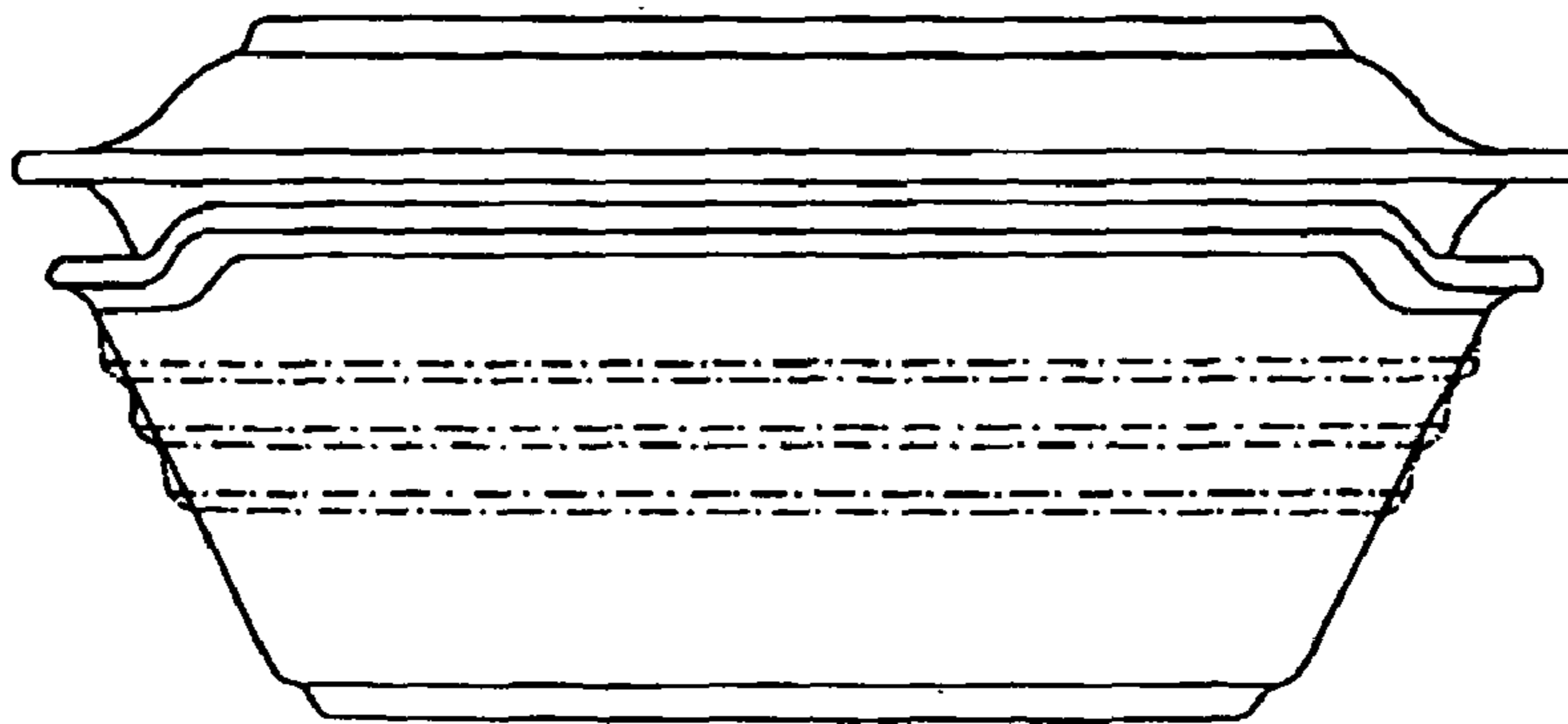


Fig. 9

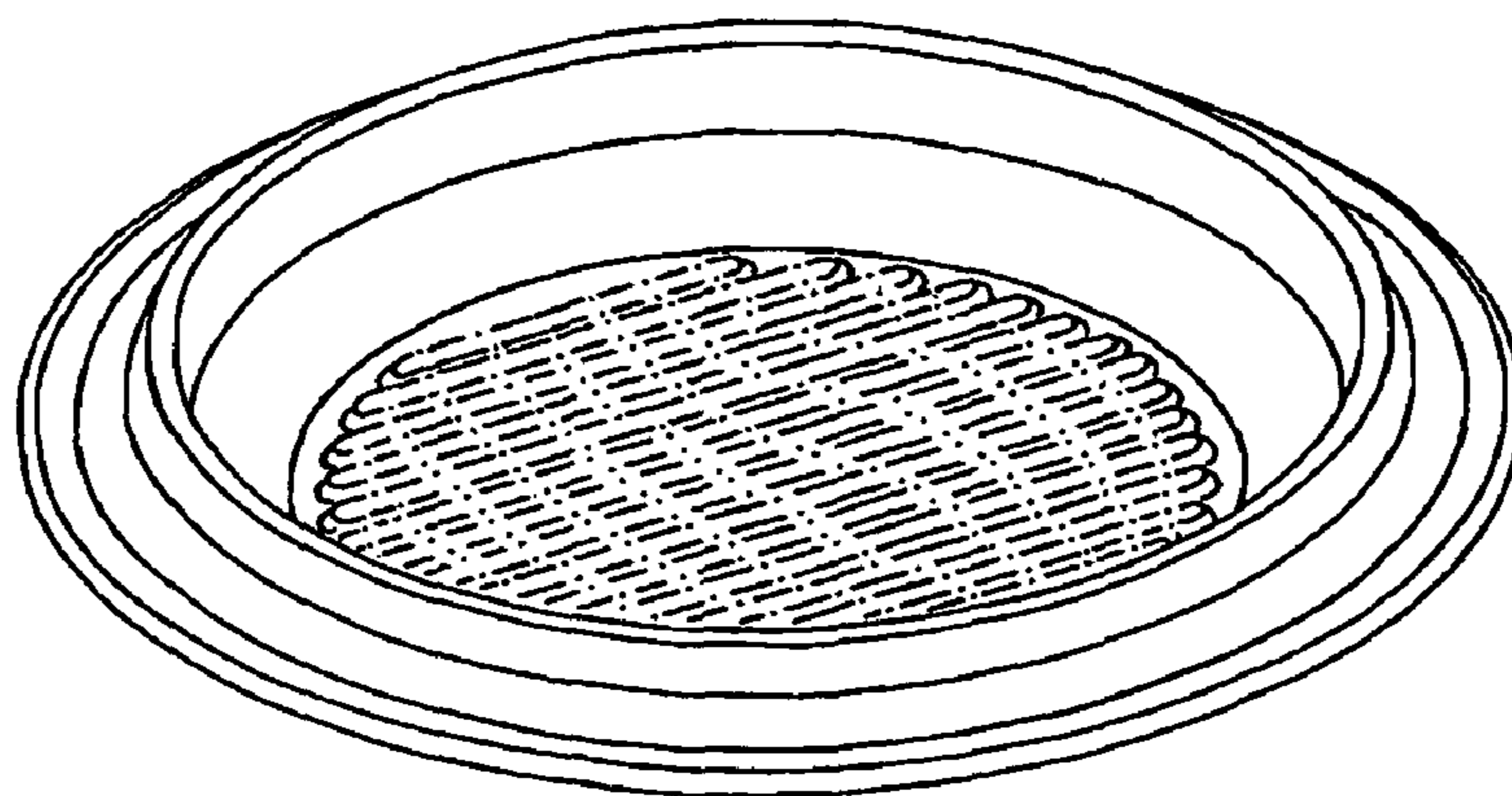


Fig. 10

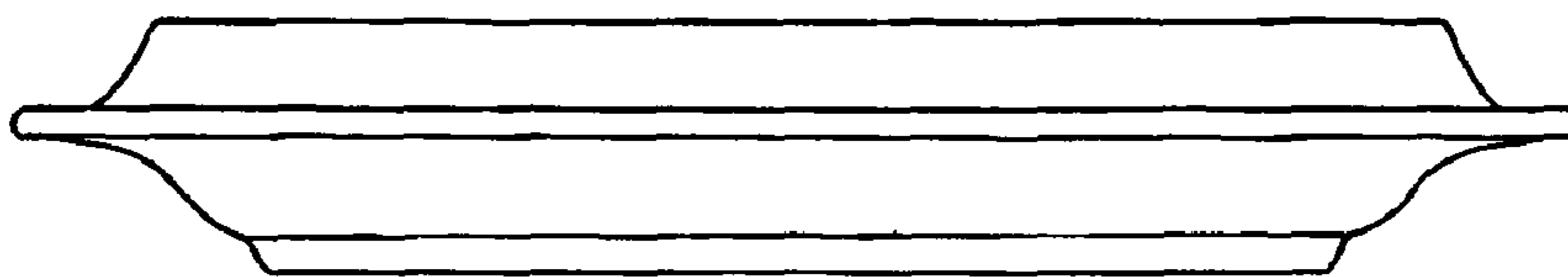


Fig. 11

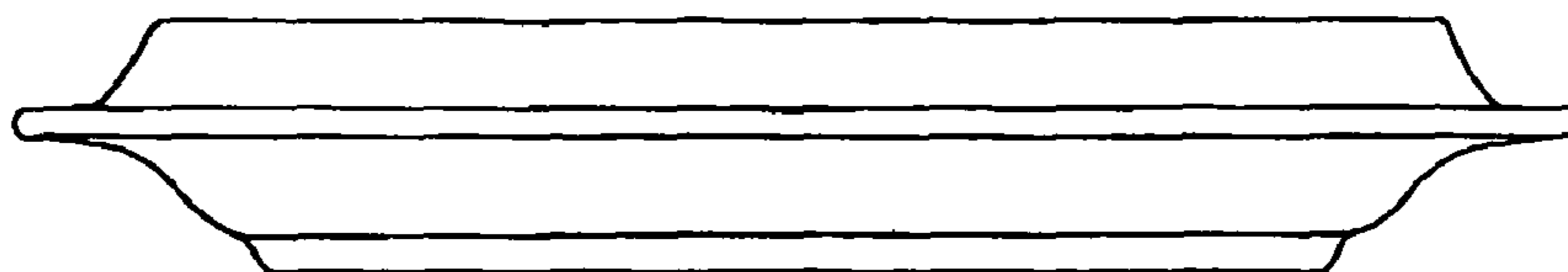


Fig. 12

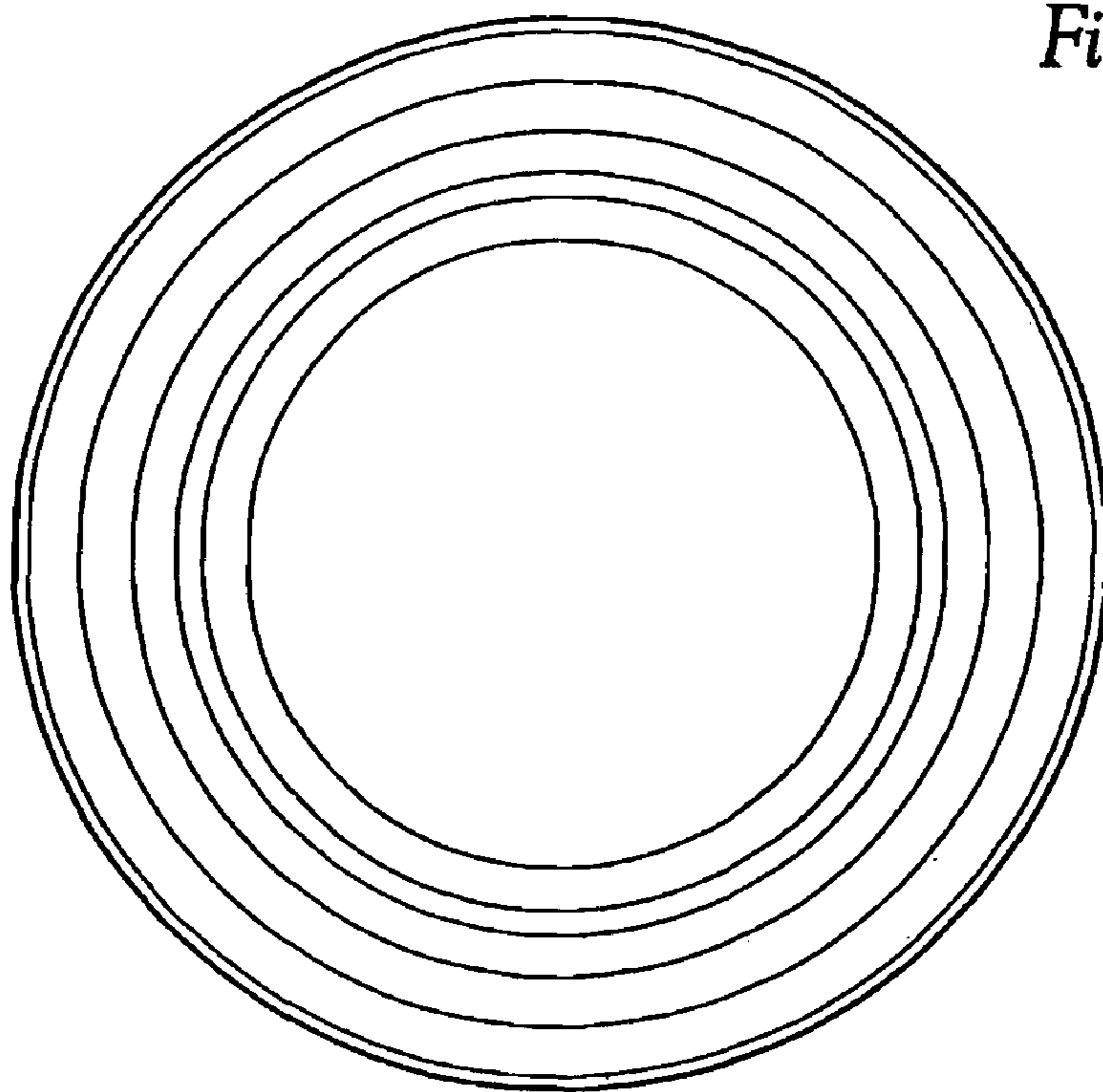


Fig. 13

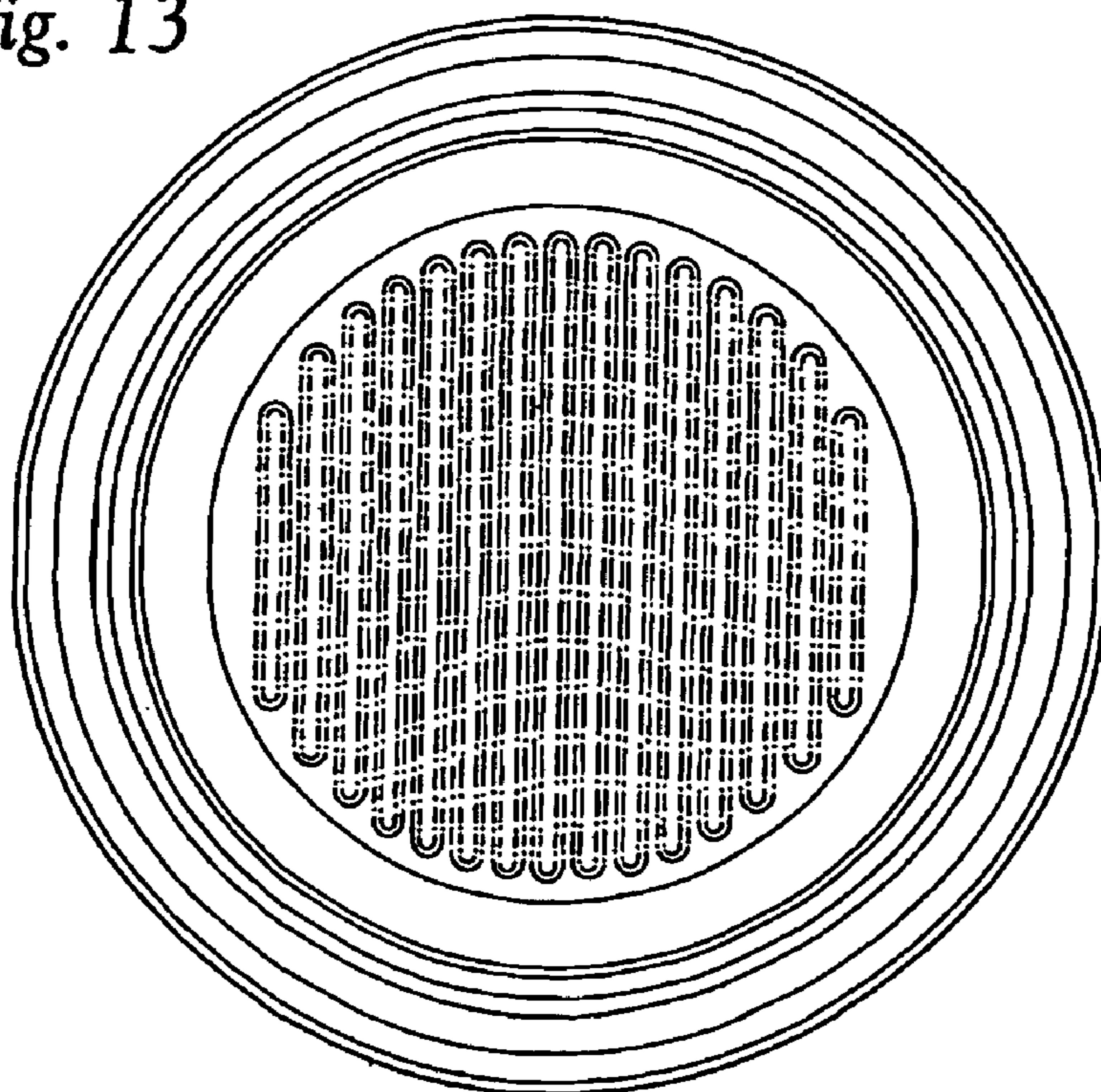


Fig. 14

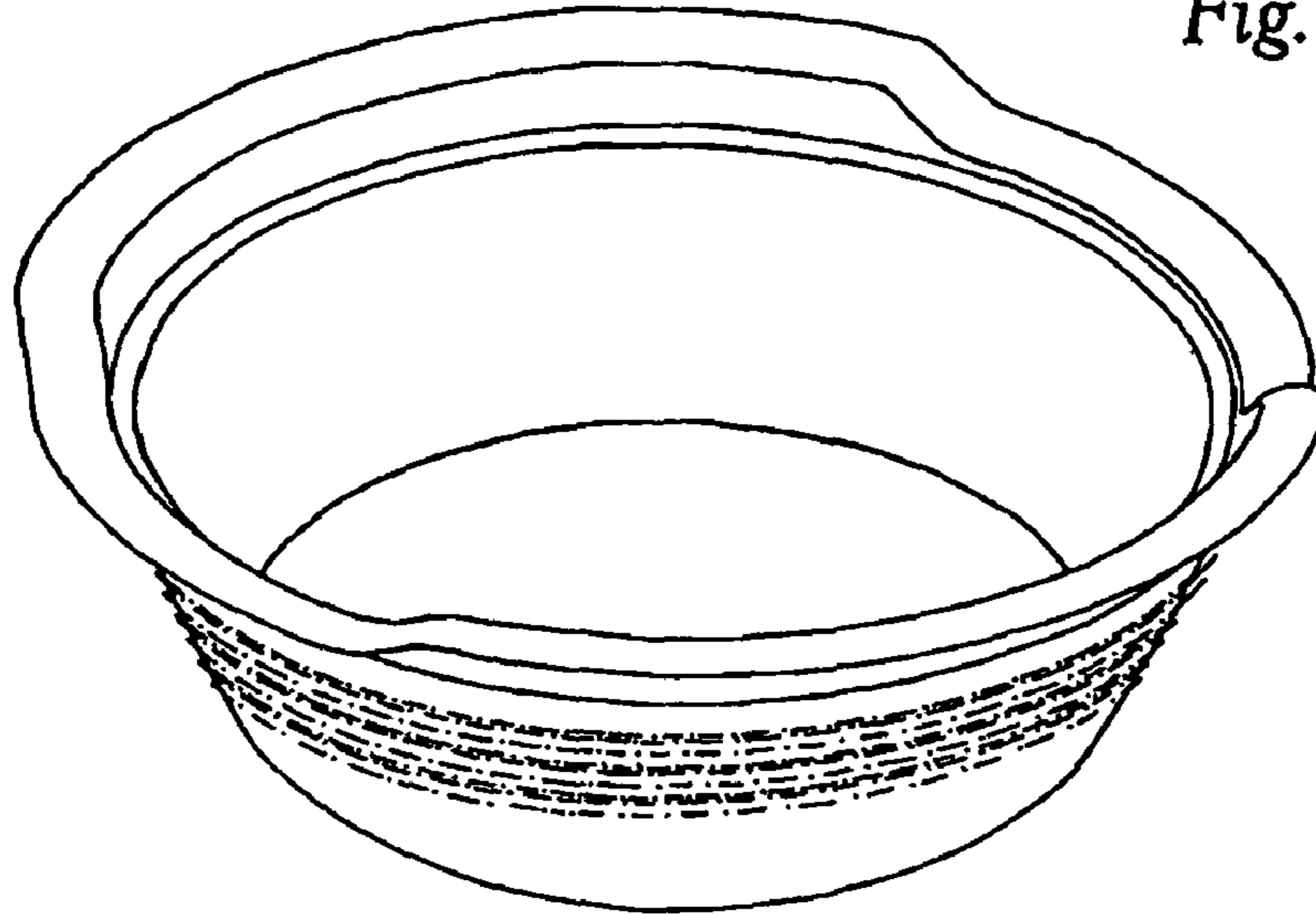


Fig. 15

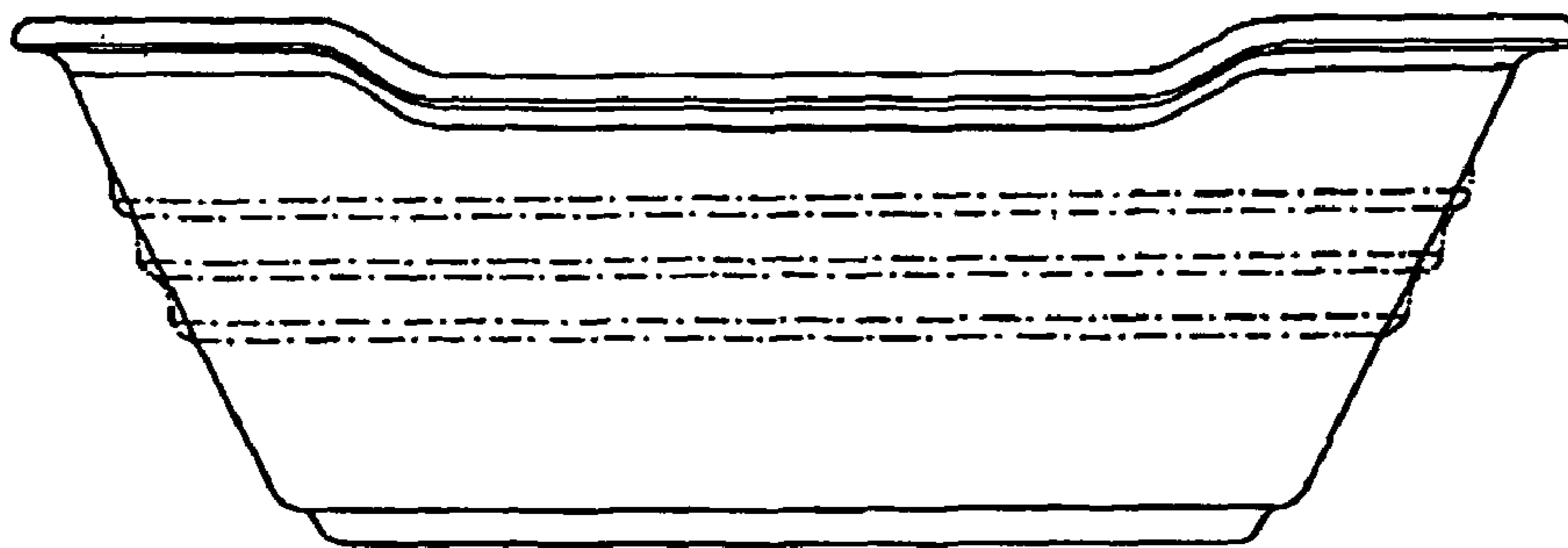


Fig. 16

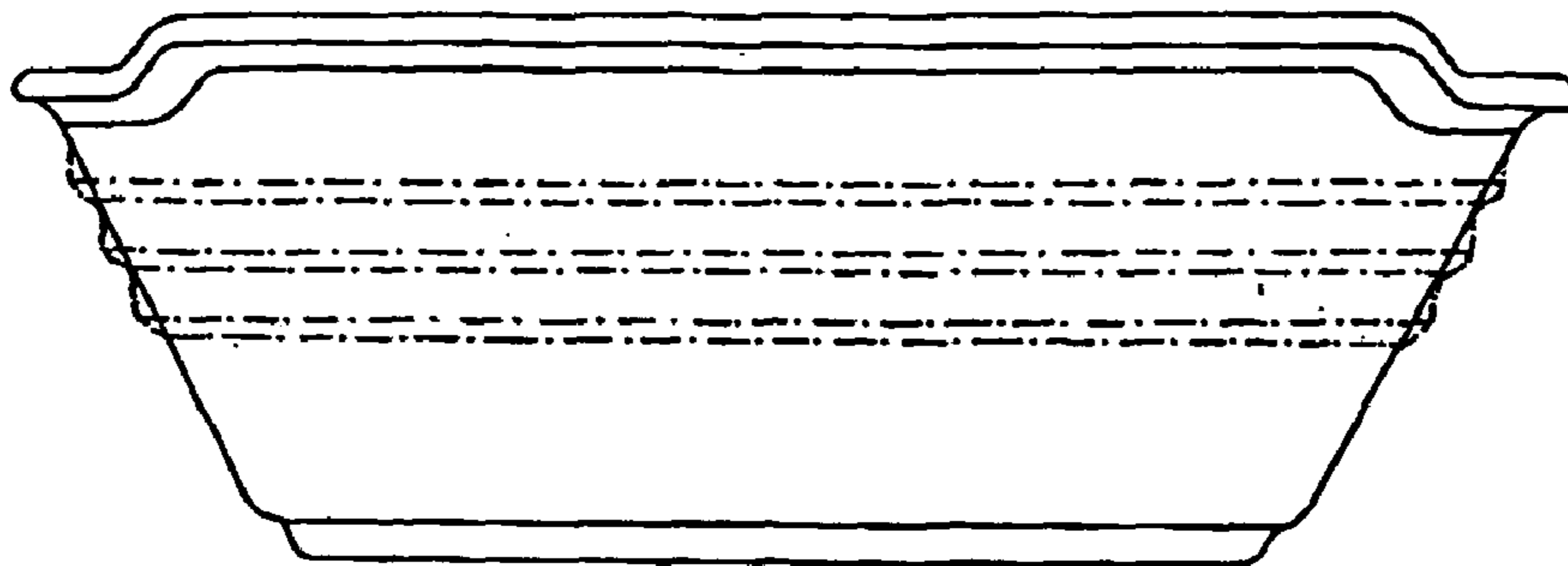


Fig. 17

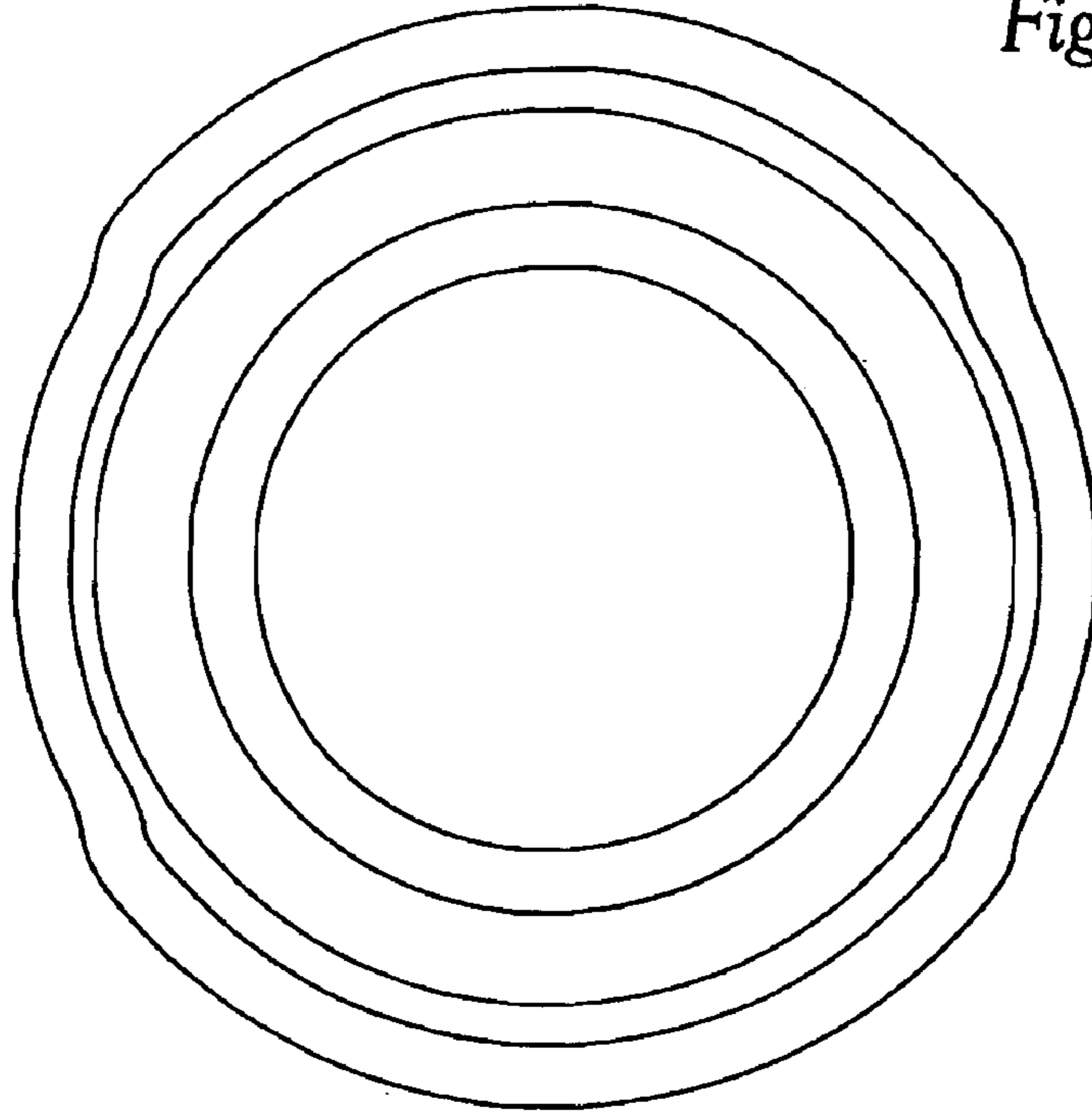


Fig. 18

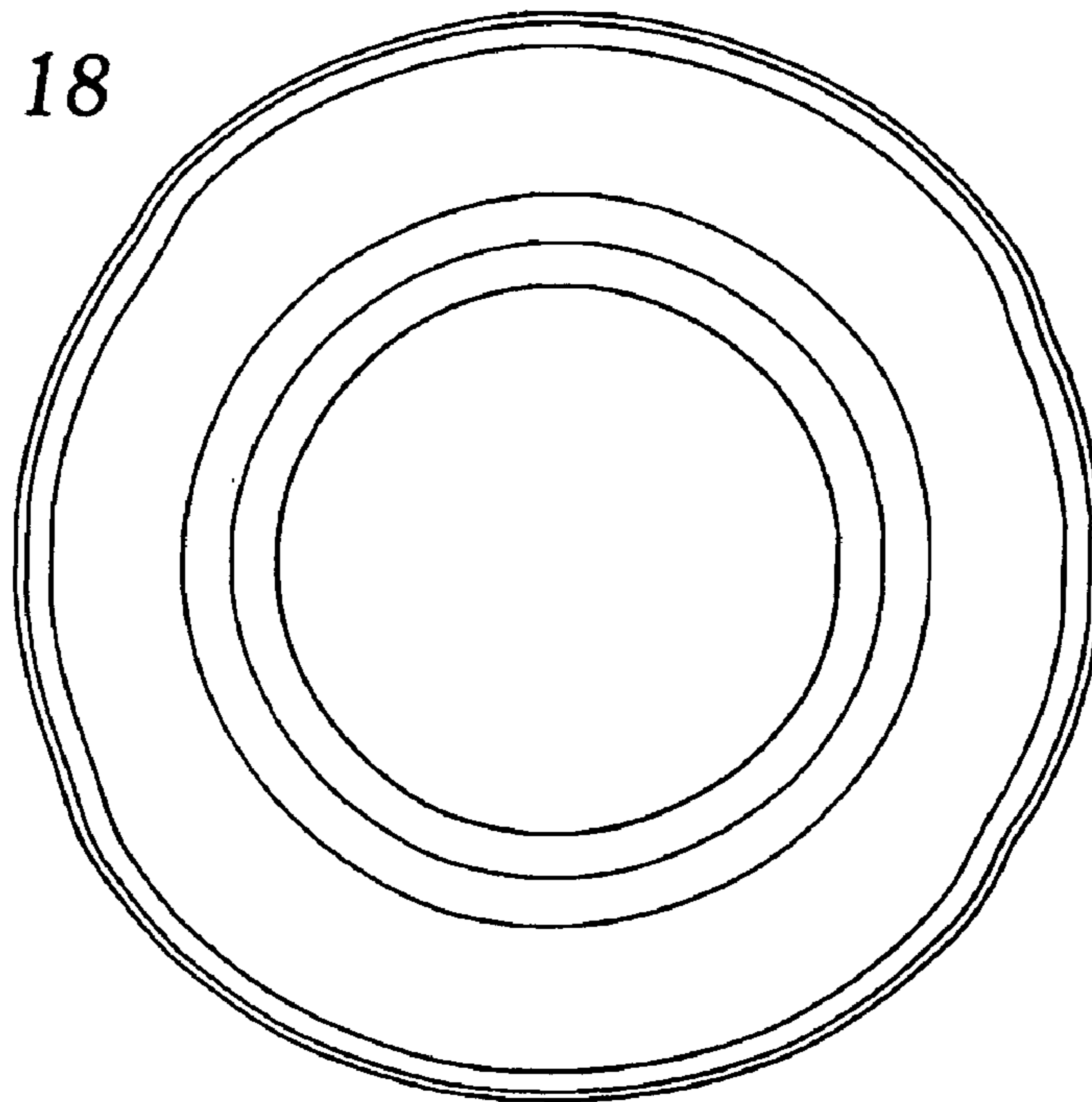


Fig. 19

