



US00D658929S

(12) **United States Design Patent**
Harrod et al.

(10) **Patent No.:** **US D658,929 S**

(45) **Date of Patent:** **** May 8, 2012**

(54) **BREAD MAKER**

(75) Inventors: **Richard Harrod**, Erskineville (AU);
Garth Ryan, Helensburgh (AU);
Richard Hoare, Lane Cove (AU)

(73) Assignee: **Breville Pty Limited**, Botany, New
South Wales (AU)

(**) Term: **14 Years**

(21) Appl. No.: **29/367,532**

(22) Filed: **Aug. 10, 2010**

(30) **Foreign Application Priority Data**

Feb. 18, 2010 (AU) 10554/2010

(51) **LOC (9) Cl.** **07-02**

(52) **U.S. Cl.** **D7/350.2**

(58) **Field of Classification Search** D7/350.1–350.4,
D7/351, 402; 219/756–758, 391, 393, 395,
219/401; 126/19 M, 275 E; 99/348, 353,
99/367, 468

See application file for complete search history.

(56) **References Cited**

U.S. PATENT DOCUMENTS

- 4,951,559 A * 8/1990 Arao et al. 99/348
- D314,687 S * 2/1991 Kim D7/350.2
- D346,303 S * 4/1994 Kaneko D7/350.2
- D350,449 S * 9/1994 Kaneko D7/350.3
- D351,759 S * 10/1994 Maruyama et al. D7/350.2
- D357,384 S * 4/1995 Maeda et al. D7/350.2
- D358,061 S * 5/1995 Duquaine et al. D7/350.2

- D358,291 S * 5/1995 Lee D7/350.2
- D358,528 S * 5/1995 Hyun D7/350.2
- D358,963 S * 6/1995 Kaneko D7/350.2
- D360,104 S * 7/1995 Wistrand D7/350.2
- D364,309 S * 11/1995 Cesaroni et al. D7/350.2
- D375,432 S * 11/1996 Hamada et al. D7/350.2
- D388,656 S * 1/1998 Ikegami et al. D7/350.2
- D393,177 S * 4/1998 Jung D7/350.2
- D394,780 S * 6/1998 Jung D7/350.2
- D395,193 S * 6/1998 Lee D7/350.2
- 5,836,237 A * 11/1998 Chiang 99/348
- D406,983 S * 3/1999 Wang D7/350.2
- D432,346 S * 10/2000 Takase et al. D7/350.2
- D541,102 S * 4/2007 Matsuda et al. D7/350.2

* cited by examiner

Primary Examiner — Ruth McInroy

(74) *Attorney, Agent, or Firm* — Molins & Co.

(57) **CLAIM**

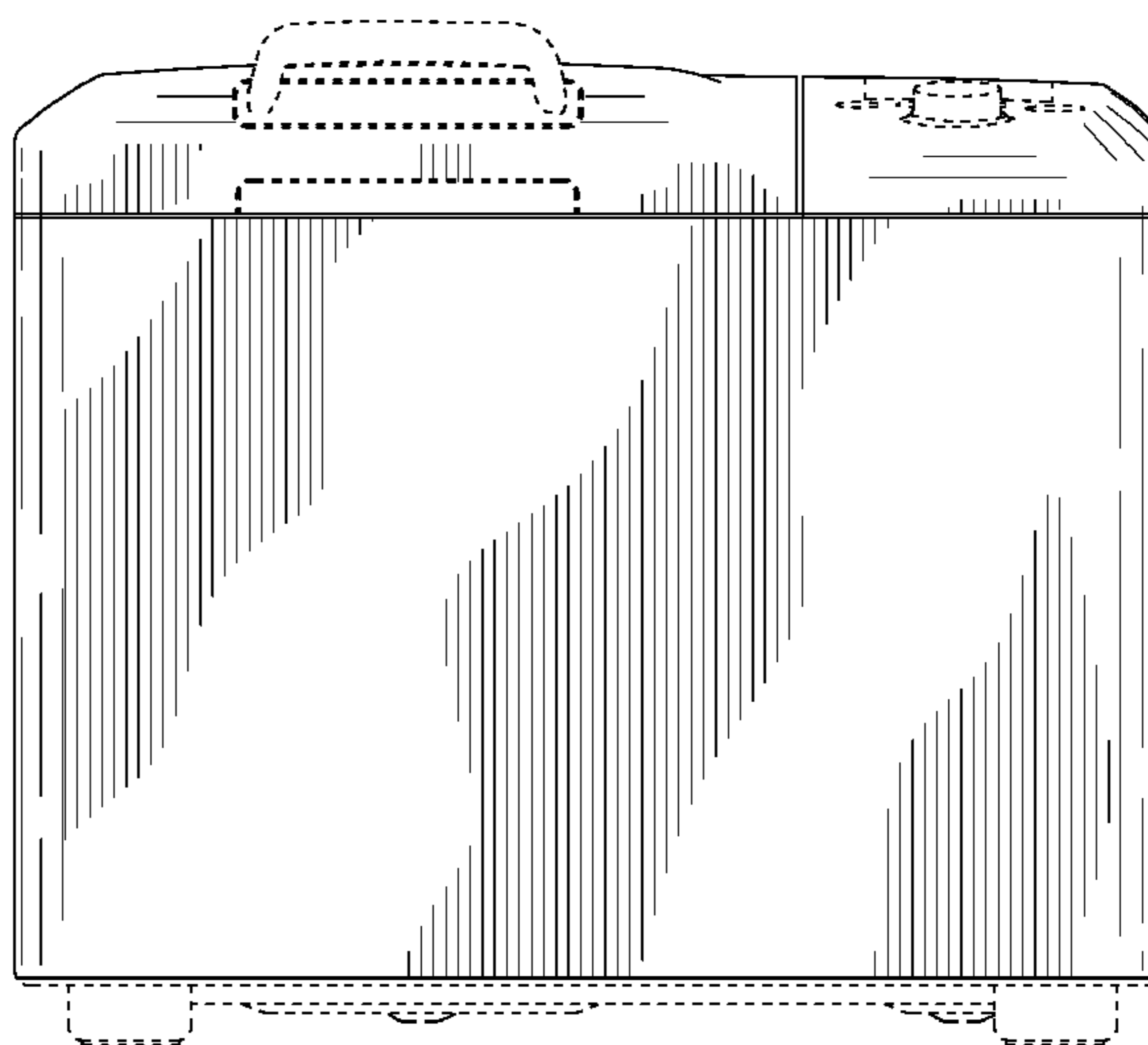
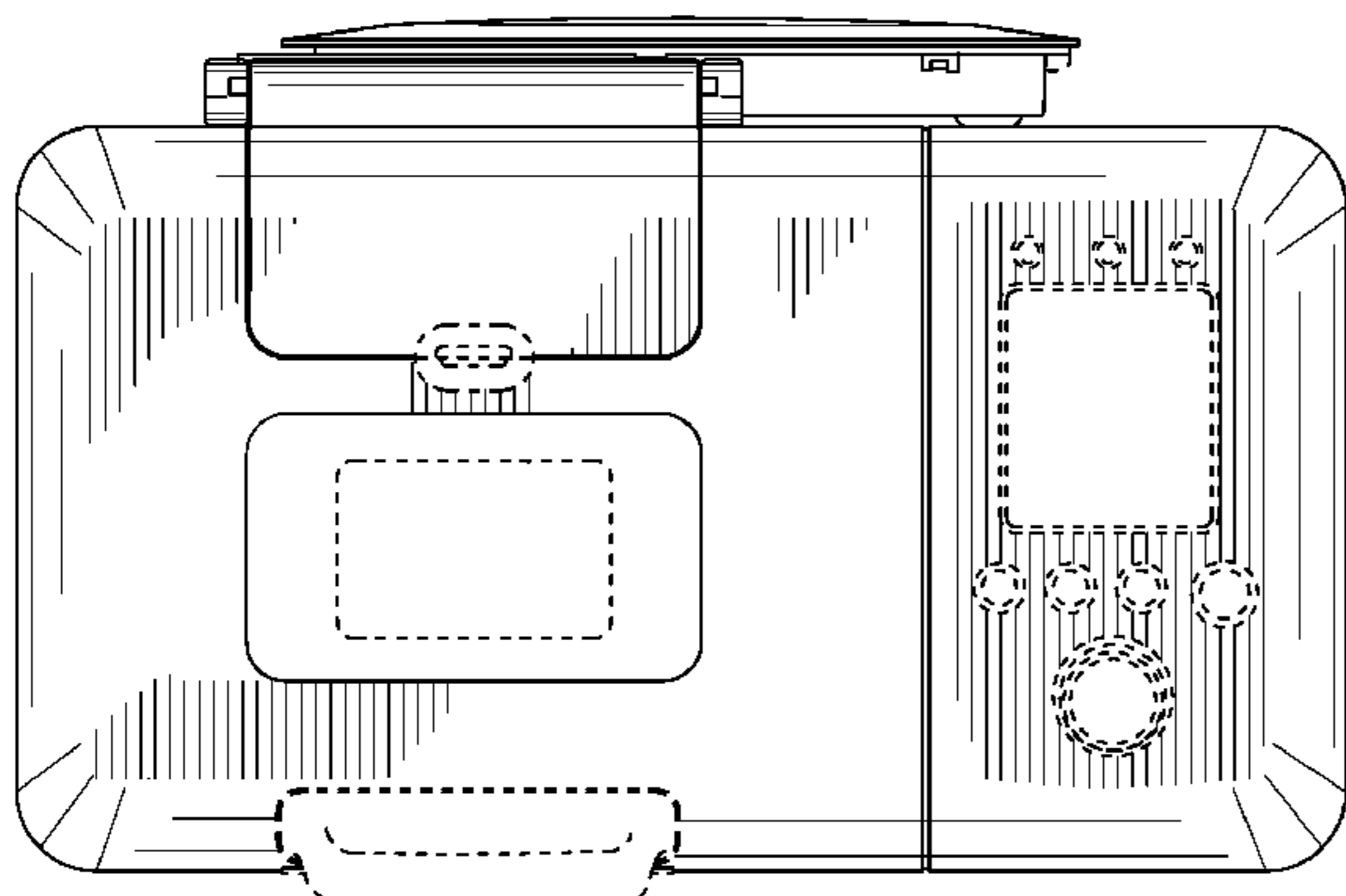
The ornamental design for a bread maker, as shown and described.

DESCRIPTION

FIG. 1 is a top view of a bread maker showing my new design;
FIG. 2 is a front view thereof;
FIG. 3 is a right side view thereof;
FIG. 4 is a rear view thereof;
FIG. 5 is a left side view thereof;
FIG. 6 is a bottom plan view thereof;
FIG. 7 is a rear perspective view thereof; and,
FIG. 8 is a front perspective view thereof.

The broken lines shown in the drawings are for illustrative purposes only and form no part of the claimed design.

1 Claim, 8 Drawing Sheets



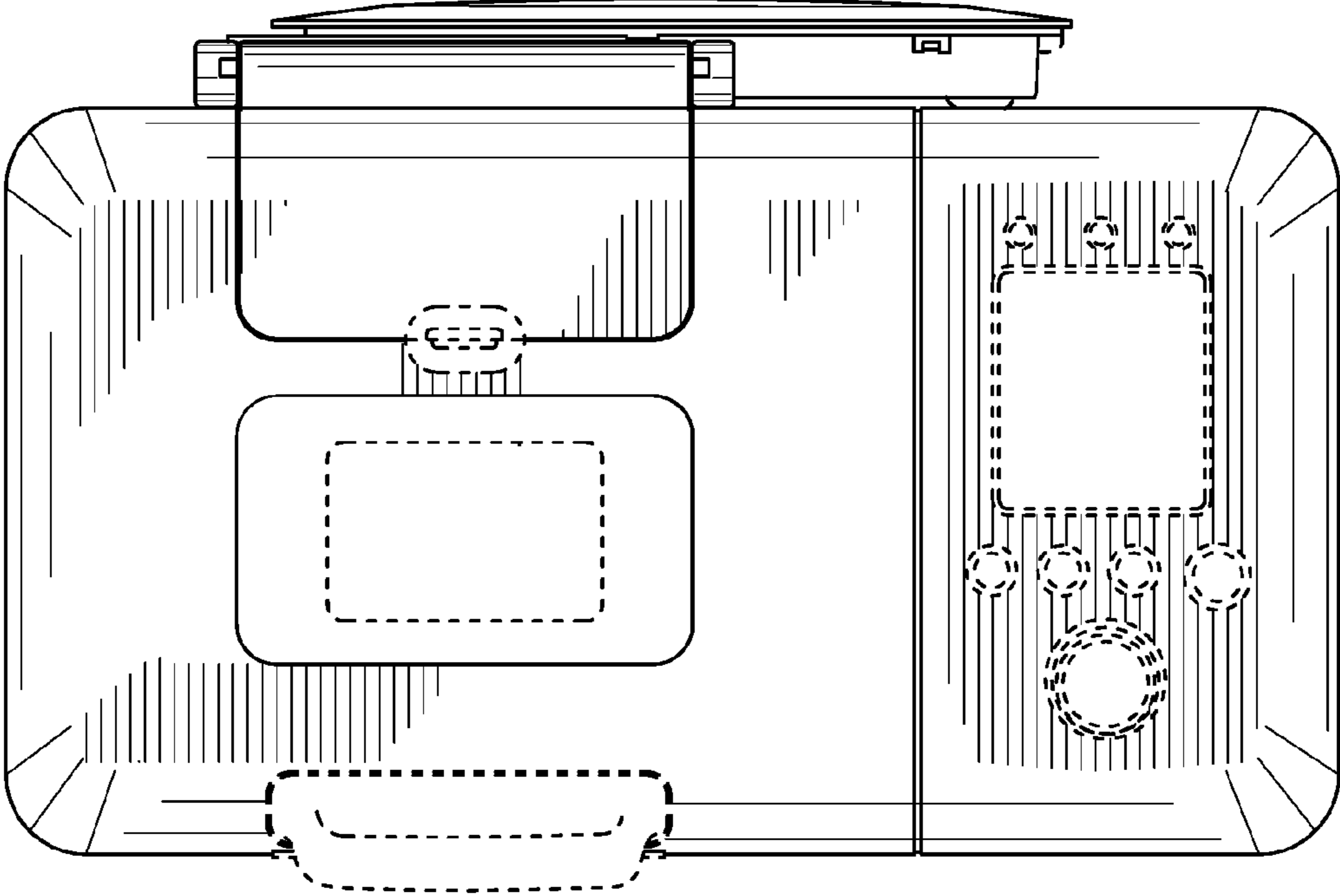


FIGURE 1

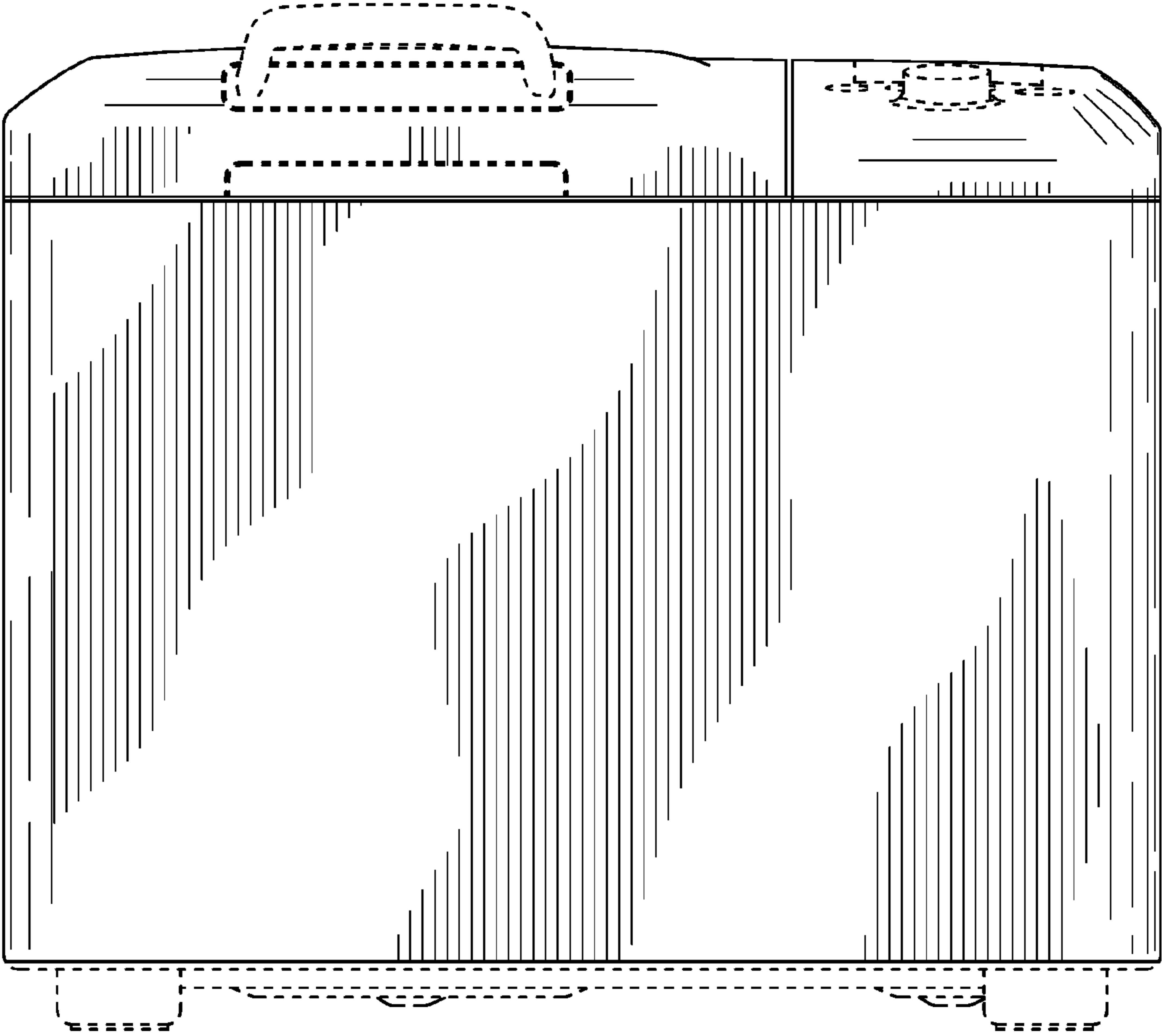


FIGURE 2

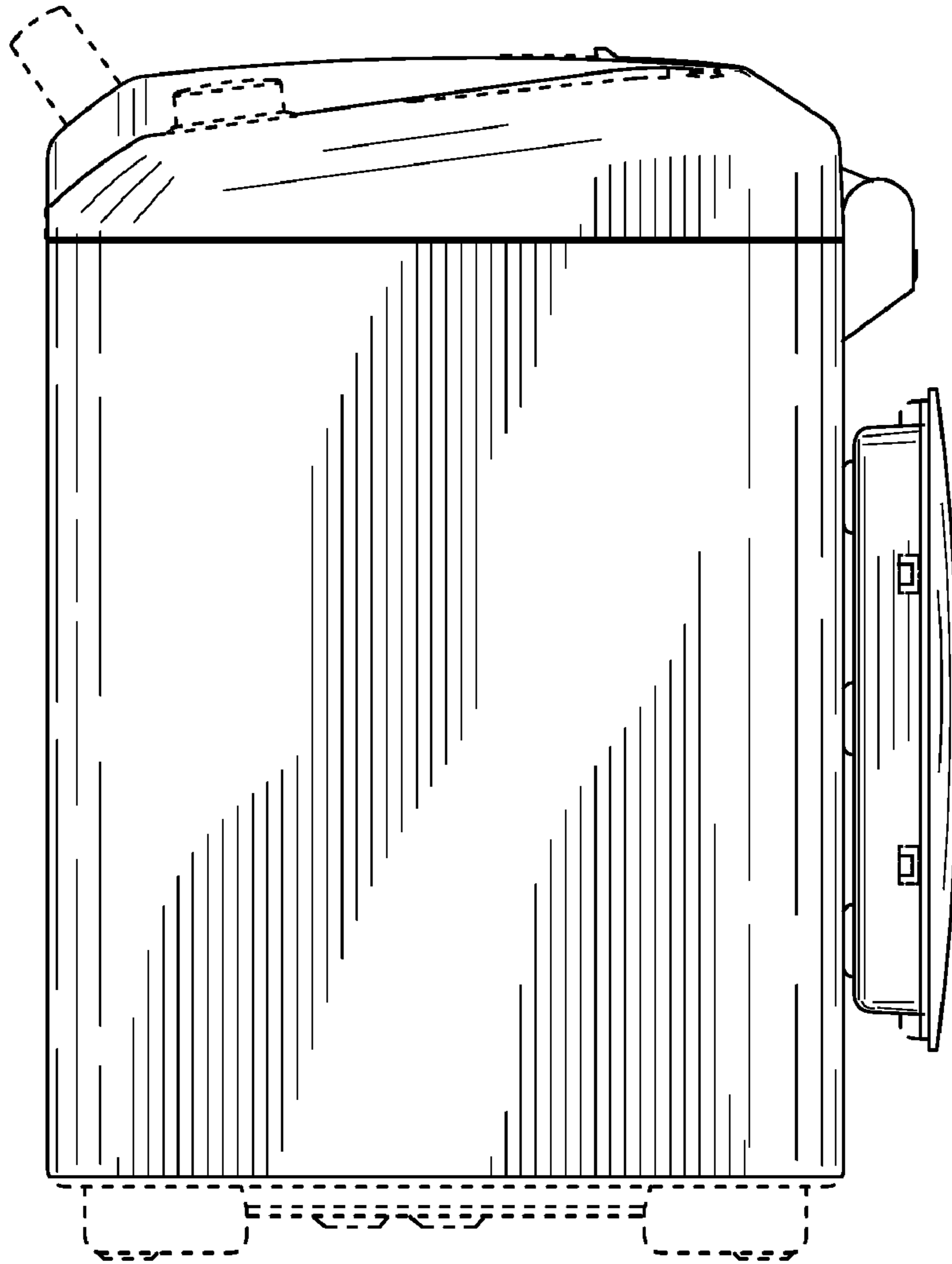


FIGURE 3

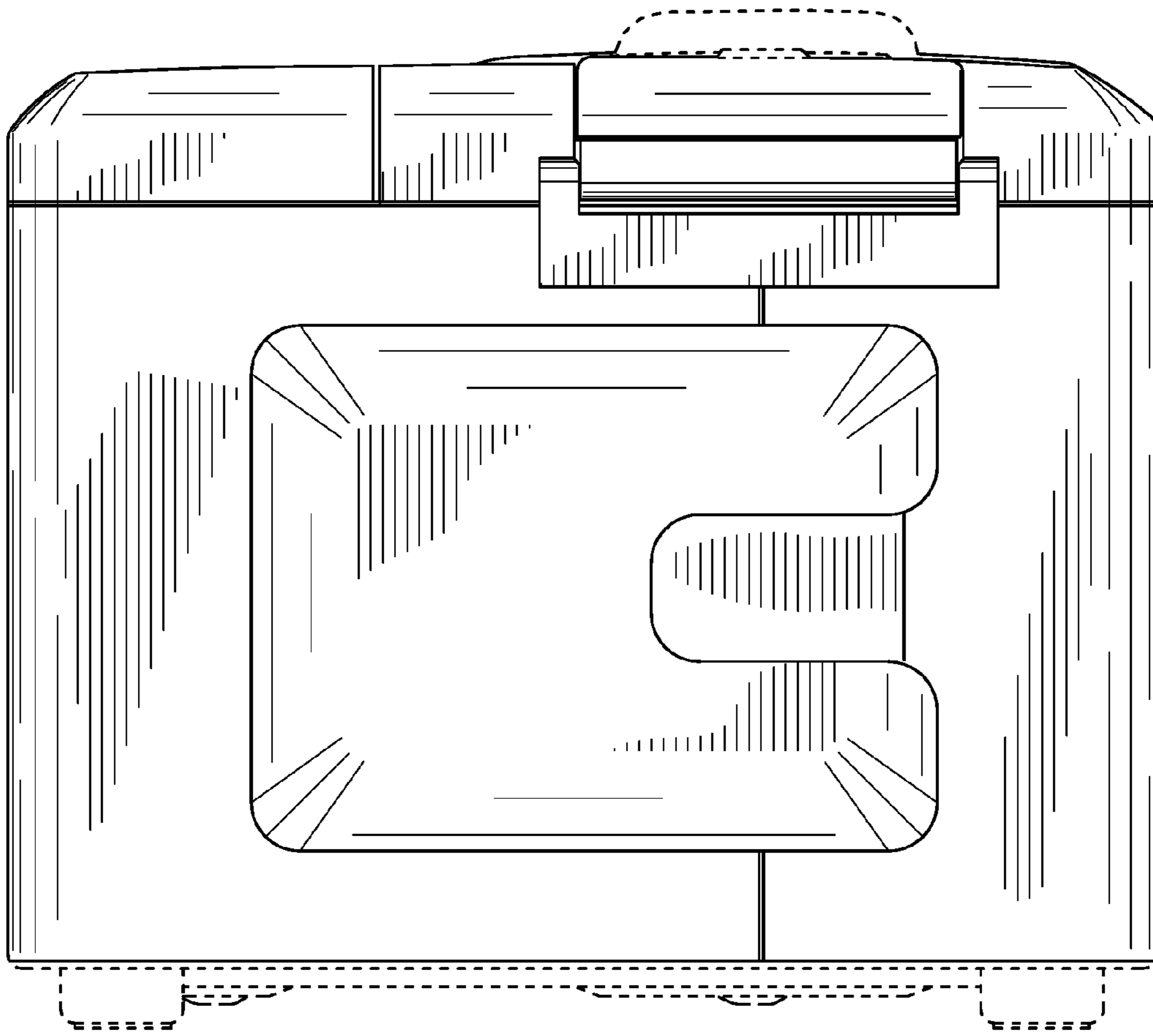


FIGURE 4

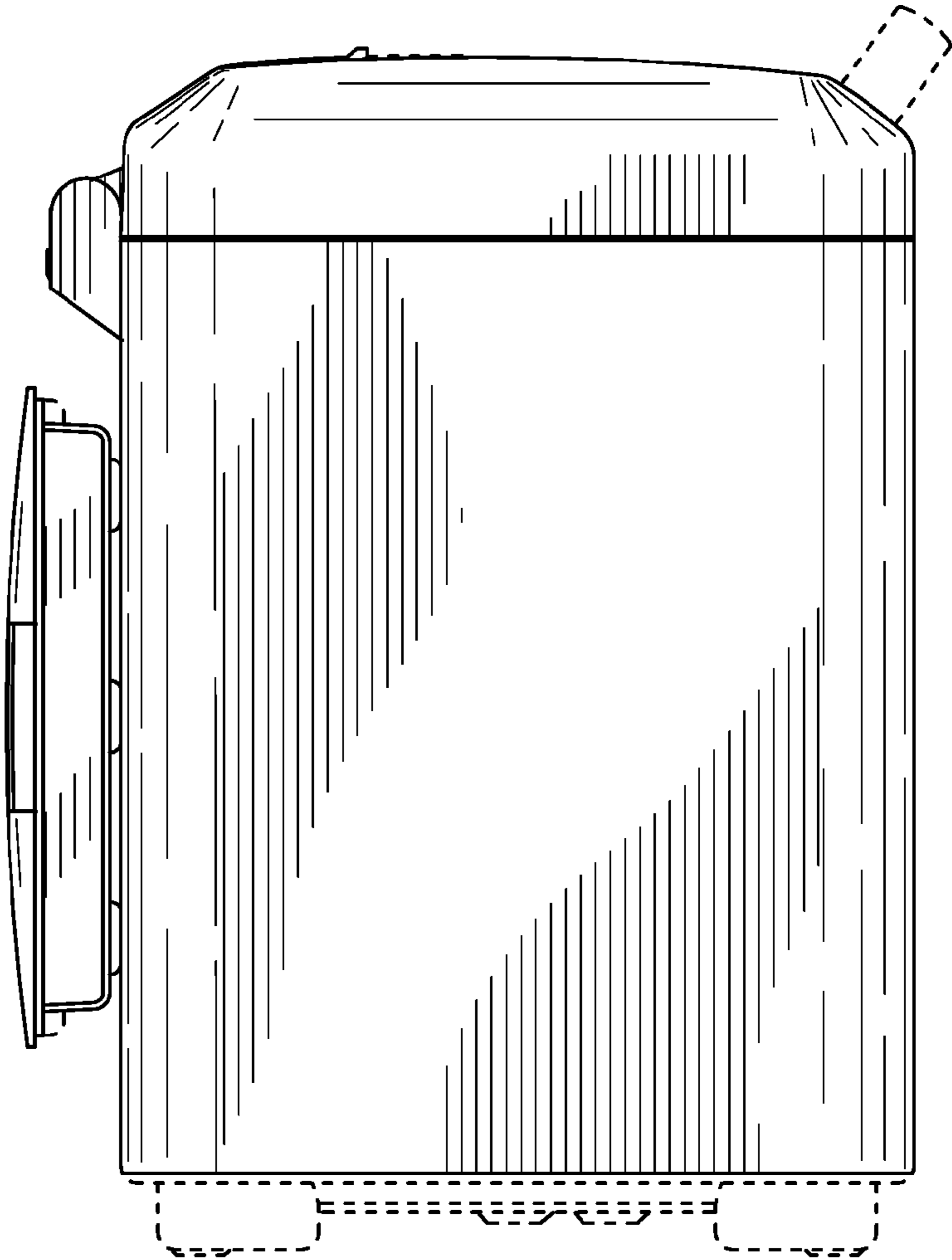


FIGURE 5

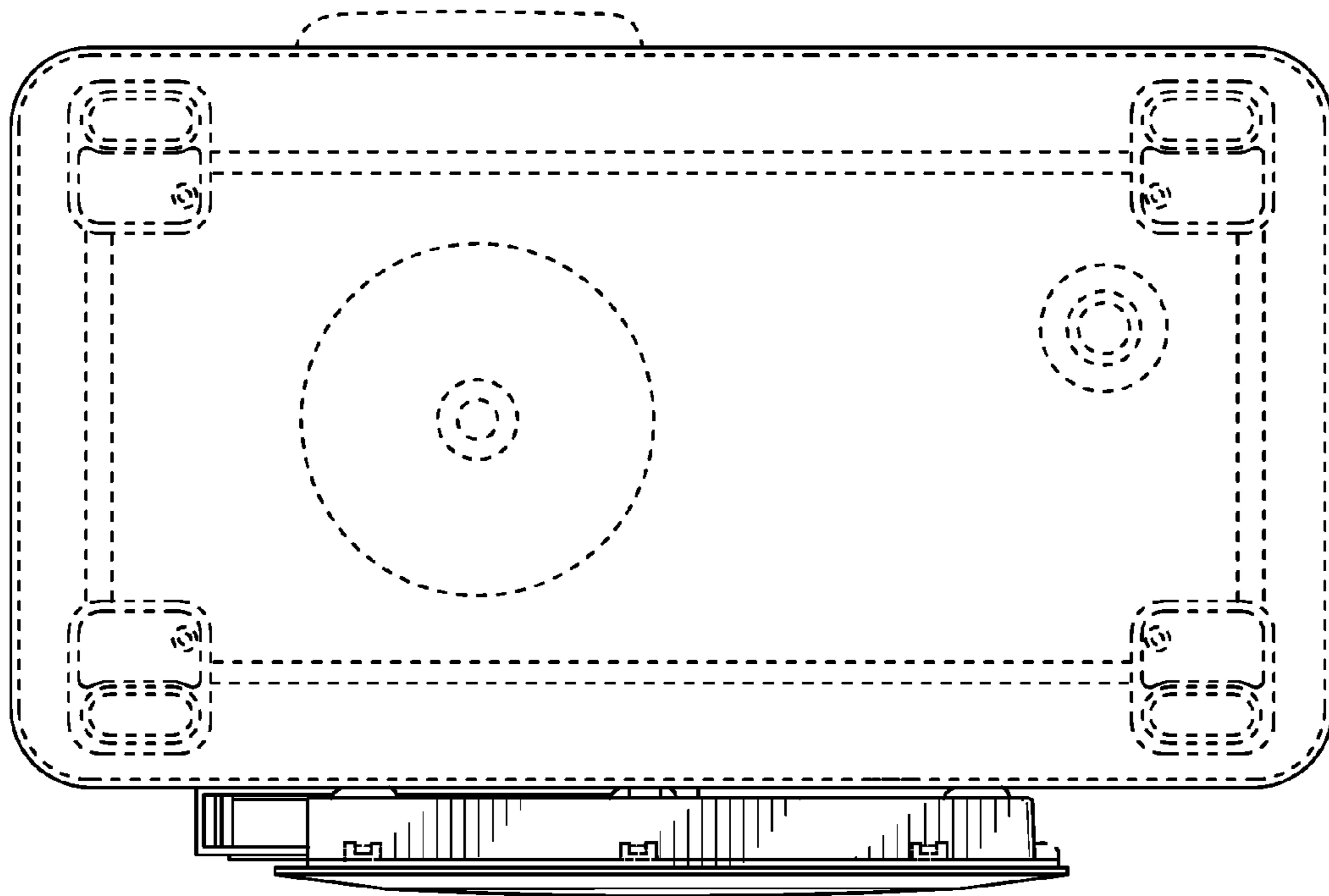


FIGURE 6

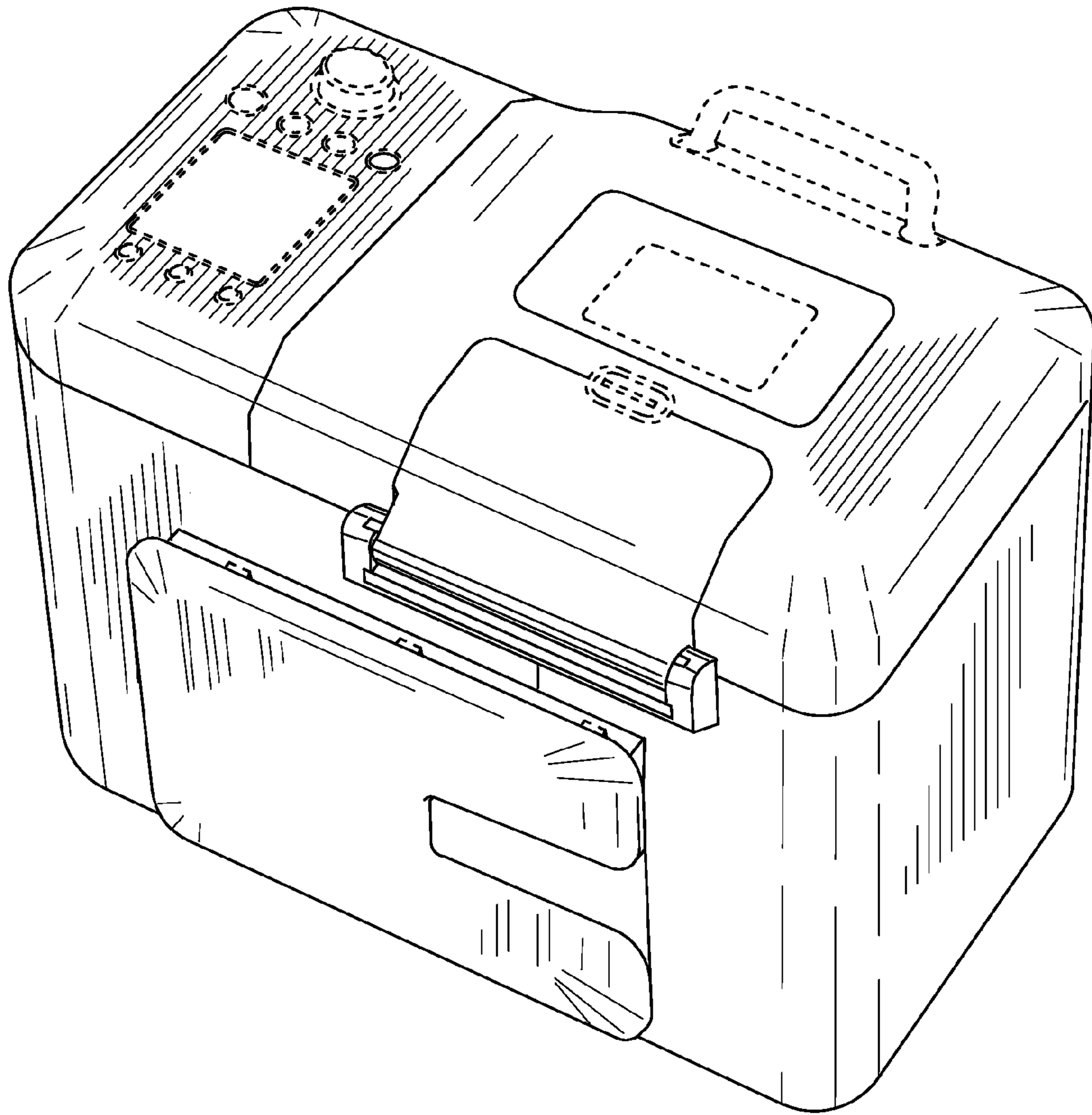


FIGURE 7

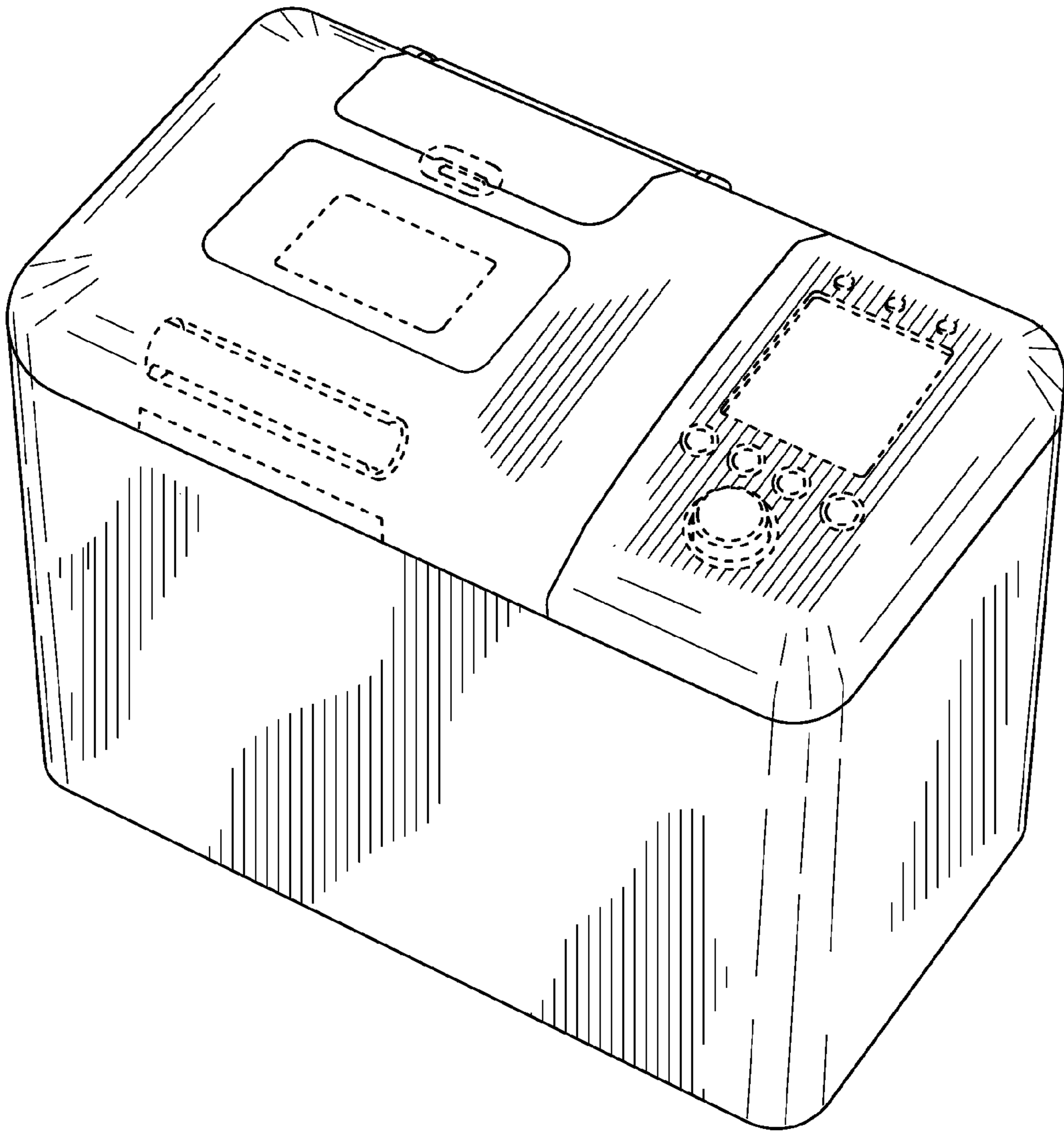


FIGURE 8