



US00D658928S

(12) **United States Design Patent**
Mohr

(10) **Patent No.:** **US D658,928 S**

(45) **Date of Patent:** **** May 8, 2012**

(54) **PATIO GRILL**

(75) Inventor: **Greg Mohr**, Bartlett, IL (US)

(73) Assignee: **Victory Land Group, Inc.**, Bartlett, IL (US)

(**) Term: **14 Years**

(21) Appl. No.: **29/362,103**

(22) Filed: **May 20, 2010**

(51) **LOC (9) Cl.** **07-02**

(52) **U.S. Cl.** **D7/335**

(58) **Field of Classification Search** D7/332-337,
D7/402-405; 126/25 R, 25 A, 25 B, 41 R,
126/39-30, 9 R, 8, 38, 4, 268, 276, 40, 50,
126/506; 99/481-482, 448

See application file for complete search history.

(56) **References Cited**

U.S. PATENT DOCUMENTS

D477,176 S *	7/2003	Wang	D7/336
D480,596 S *	10/2003	Dellinger et al.	D7/335
D483,983 S *	12/2003	Harrod et al.	D7/334
D520,802 S *	5/2006	McLemore et al.	D7/335
D548,514 S *	8/2007	Huang	D7/335
D618,484 S *	6/2010	Tzeng	D7/334
D618,951 S *	7/2010	Tzeng	D7/334
D638,655 S *	5/2011	Mohr	D7/335
2003/0094170 A1 *	5/2003	Harrod et al.	126/41 R
2008/0271728 A1 *	11/2008	Pai	126/25 R

OTHER PUBLICATIONS

Char-Broil Quantum Urban Stainless Steel Gas Grill, Model No. 463246909. (Believed to have been offered for sale, publicly used, and/or published prior to filing date of this application.)

* cited by examiner

Primary Examiner — Ruth McInroy

(74) *Attorney, Agent, or Firm* — Gifford, Krass, Sprinkle, Anderson & Citkowski, P.C.

(57) **CLAIM**

I claim the ornamental design for a patio grill, as shown and described.

DESCRIPTION

FIG. 1 is a front perspective view of a patio grill showing my new design;

FIG. 2 is a front view of FIG. 1;

FIG. 3 is a rear view of FIG. 1;

FIG. 4 is a right side view of FIG. 1;

FIG. 5 is a left side view of FIG. 1;

FIG. 6 is a top view of FIG. 1;

FIG. 7 is a bottom view of FIG. 1;

FIG. 8 is a front perspective view of a second embodiment thereof;

FIG. 9 is a front view of FIG. 8;

FIG. 10 is a rear view of FIG. 8;

FIG. 11 is a right side view of FIG. 8;

FIG. 12 is a left side view of FIG. 8;

FIG. 13 is a top view of FIG. 8;

FIG. 14 is a bottom view of FIG. 8;

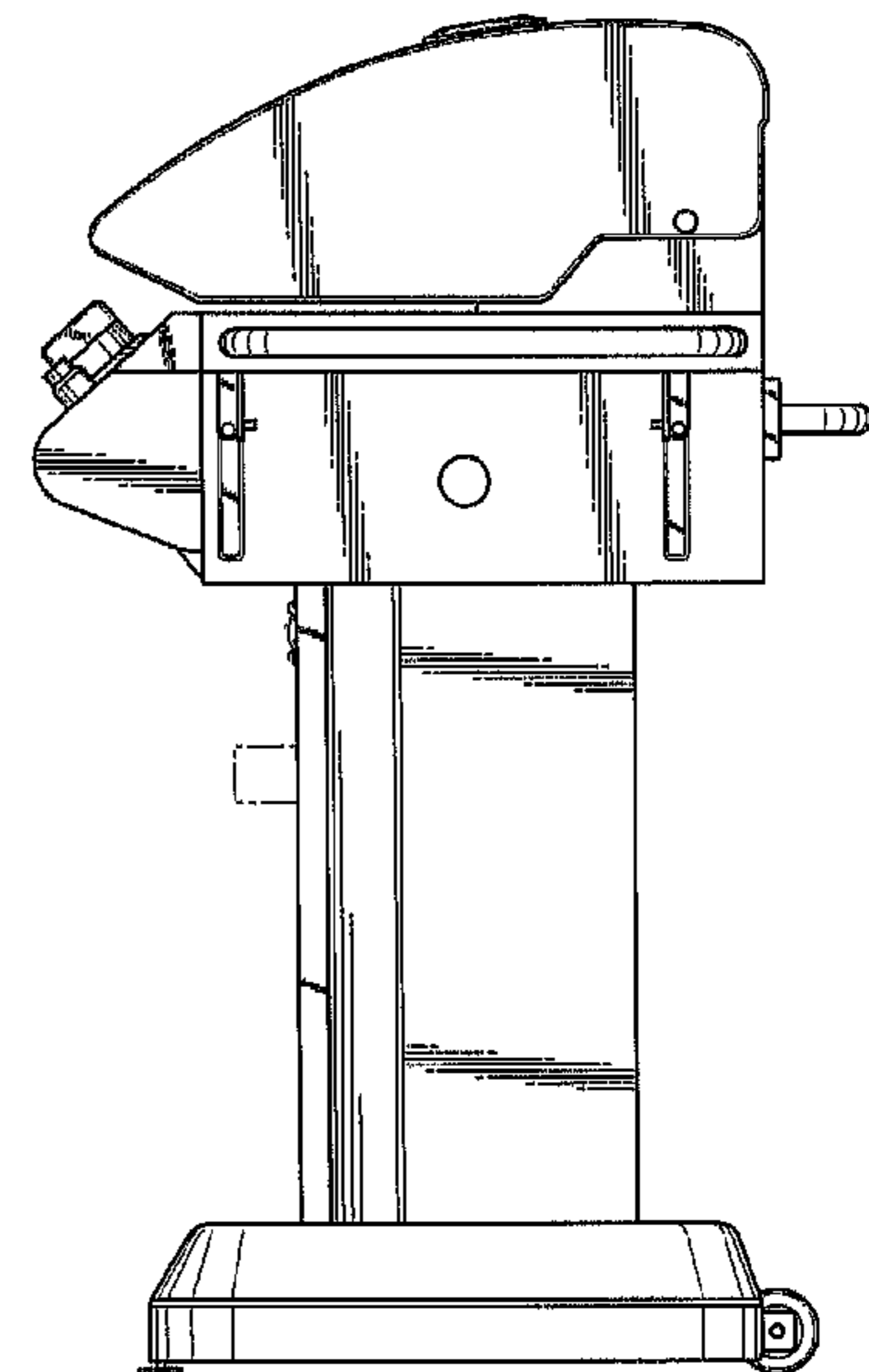
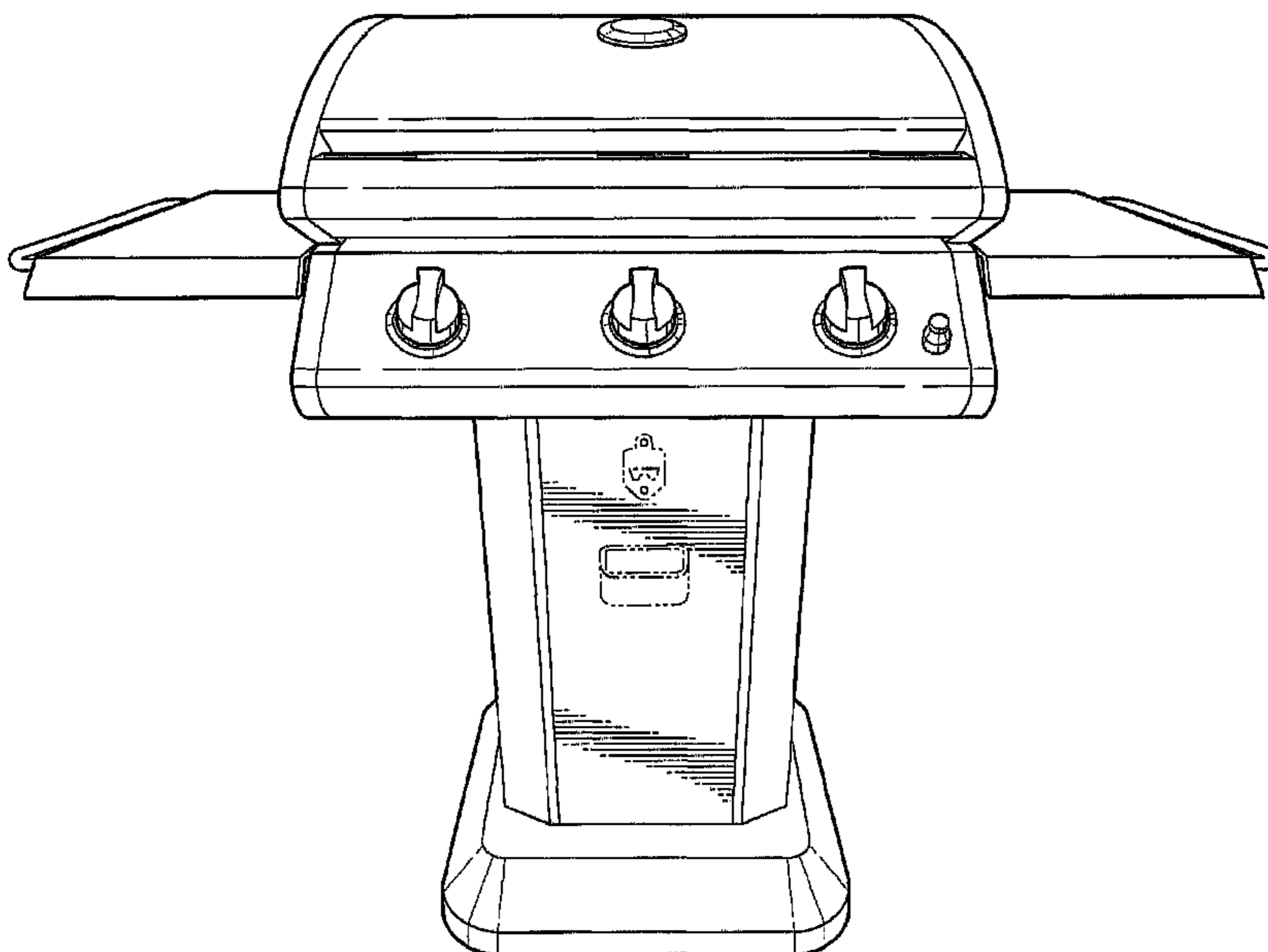
FIG. 15 is a front view of a third embodiment thereof; and,

FIG. 16 is a top view of FIG. 15.

The sides, rear and bottom views of FIG. 15 are identical to the corresponding views of the embodiment of FIG. 1.

The details shown in broken lines form no part of the claimed design.

1 Claim, 14 Drawing Sheets



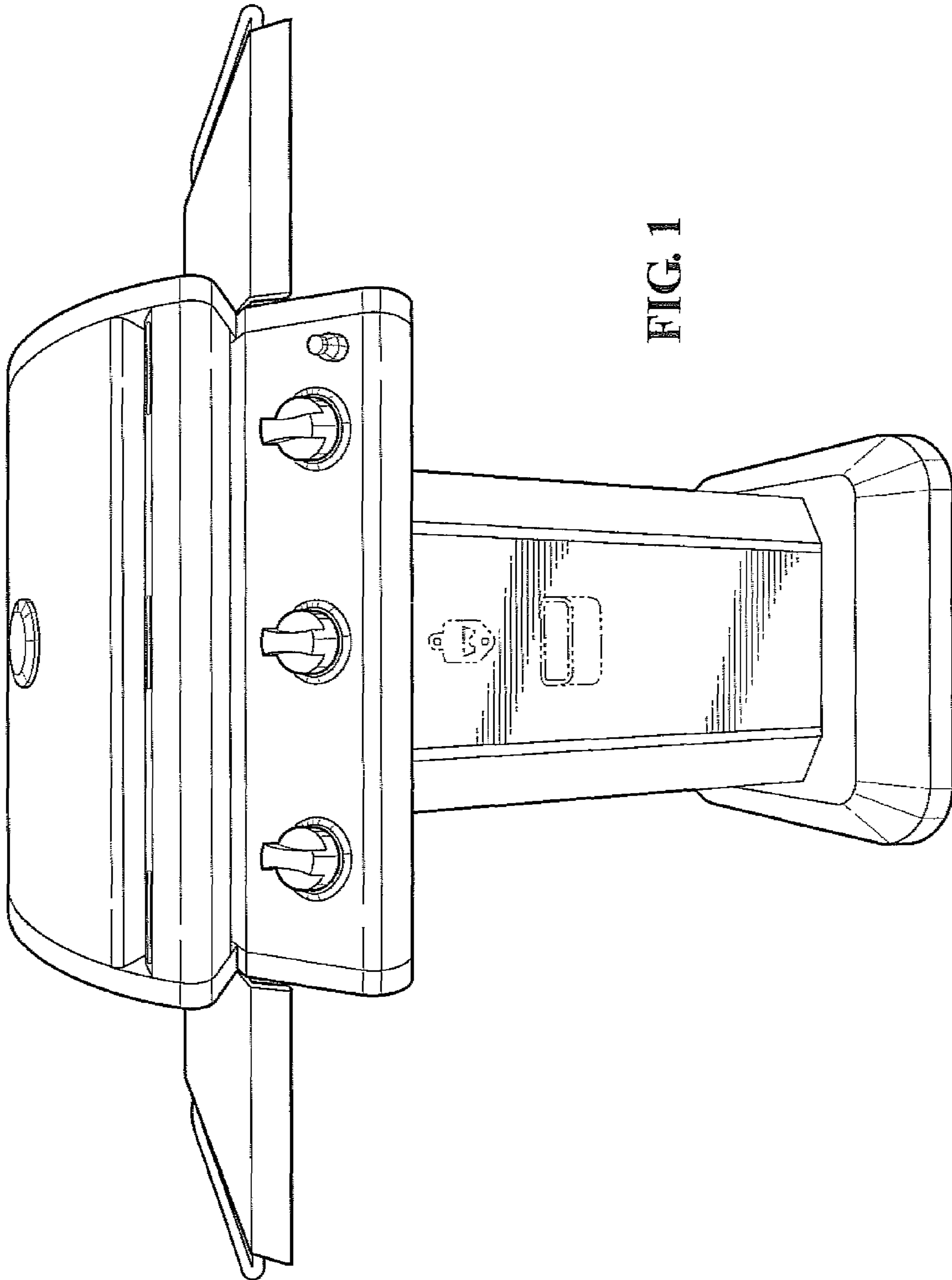


FIG. 1

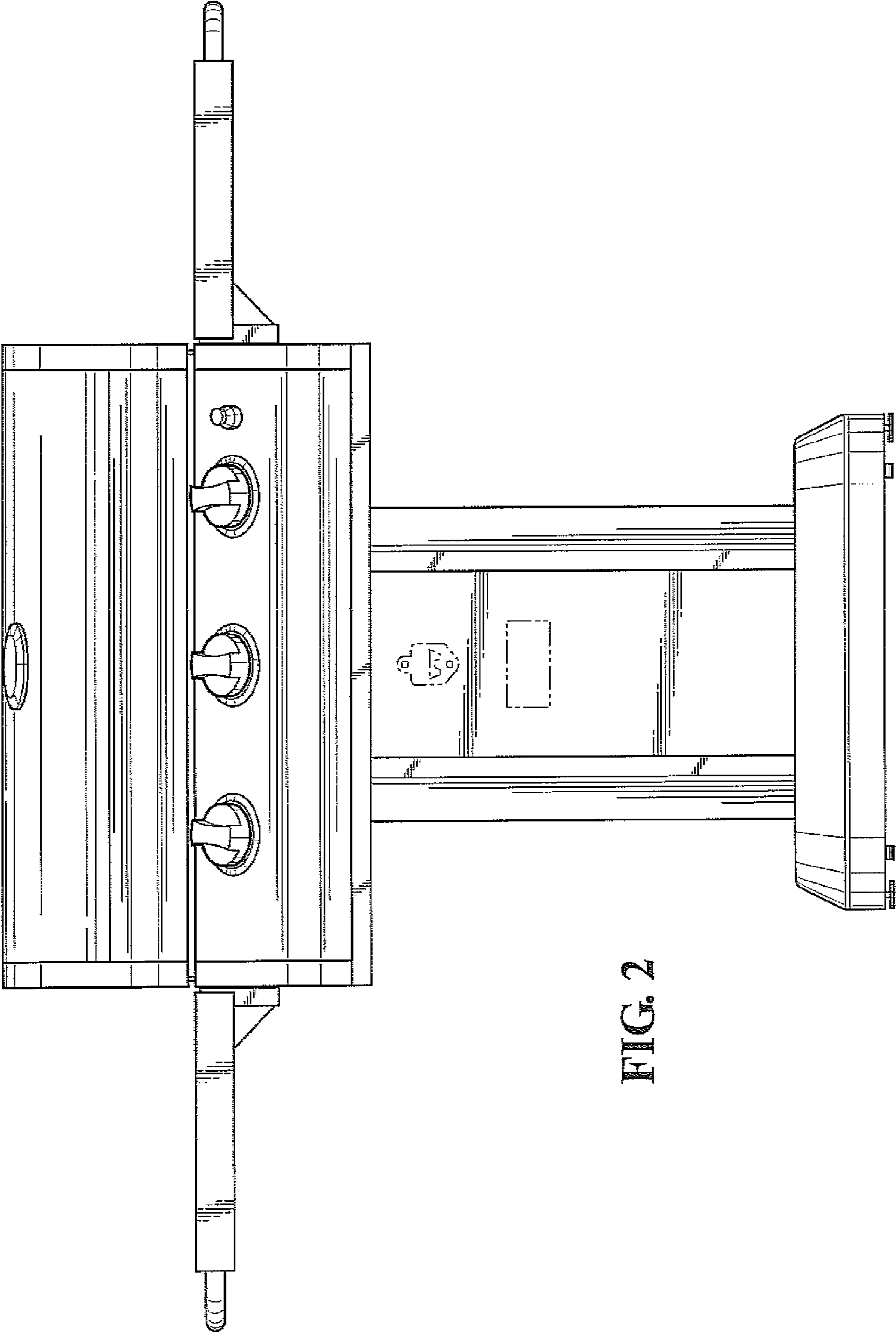


FIG. 2

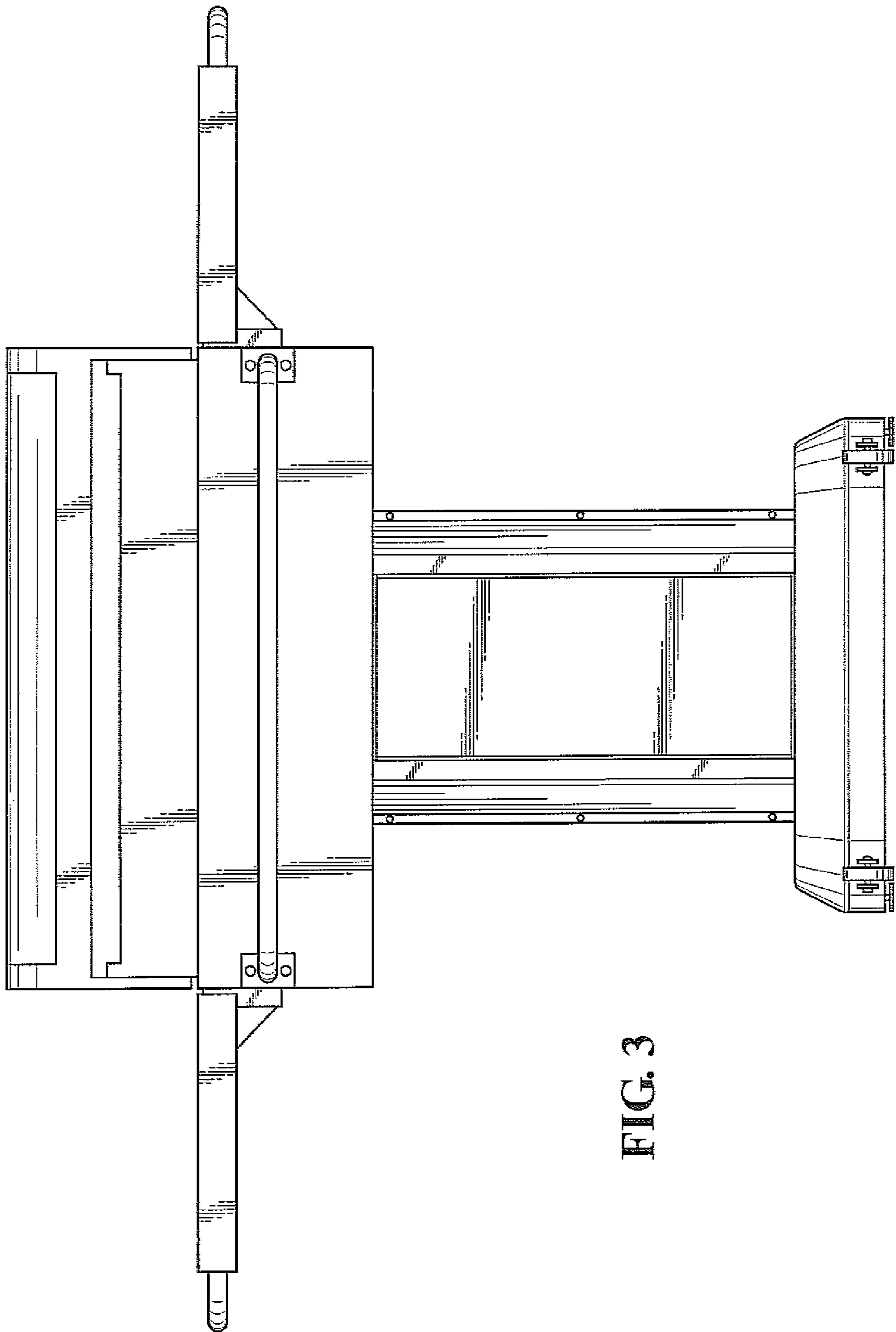


FIG. 3

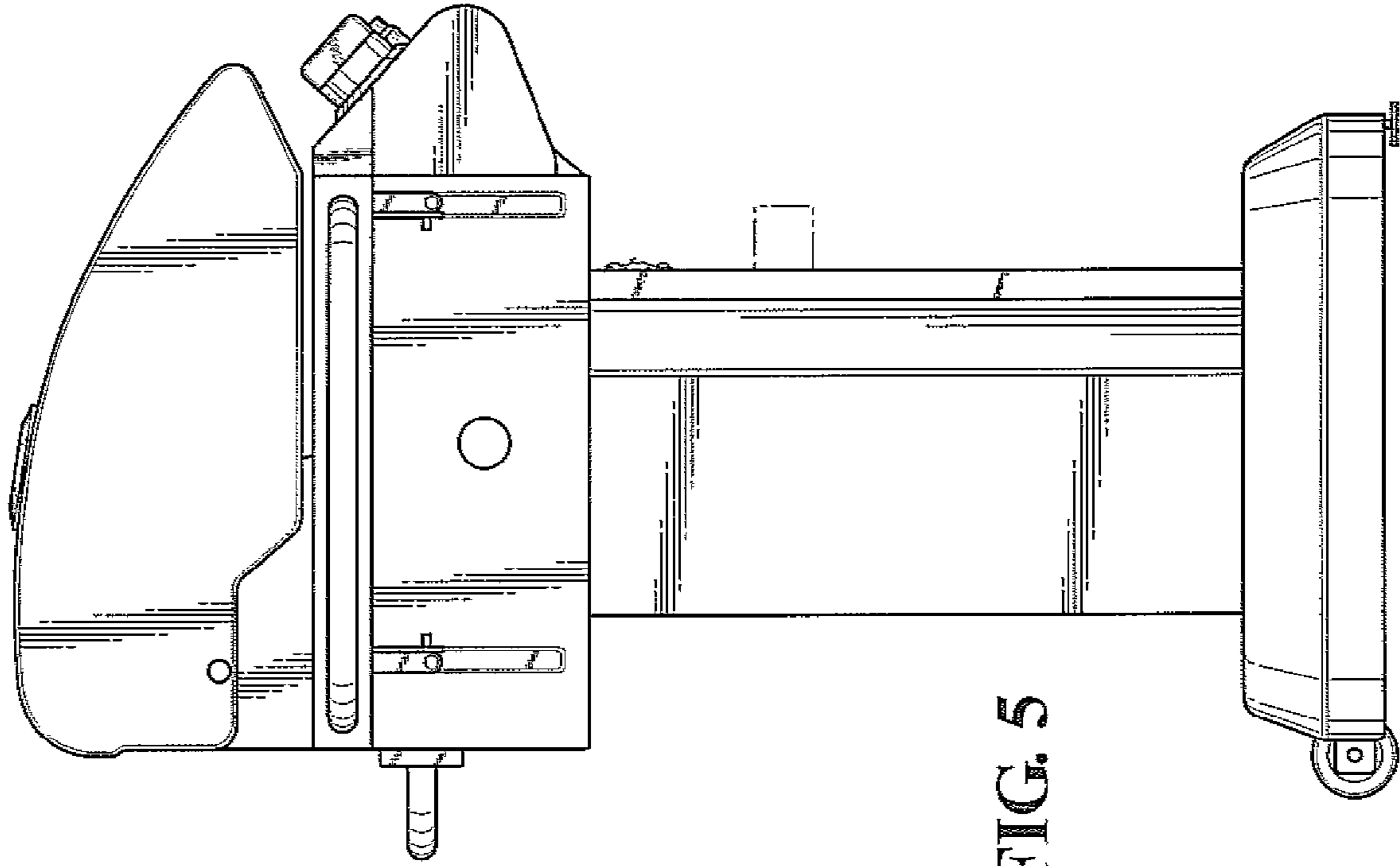


FIG. 5

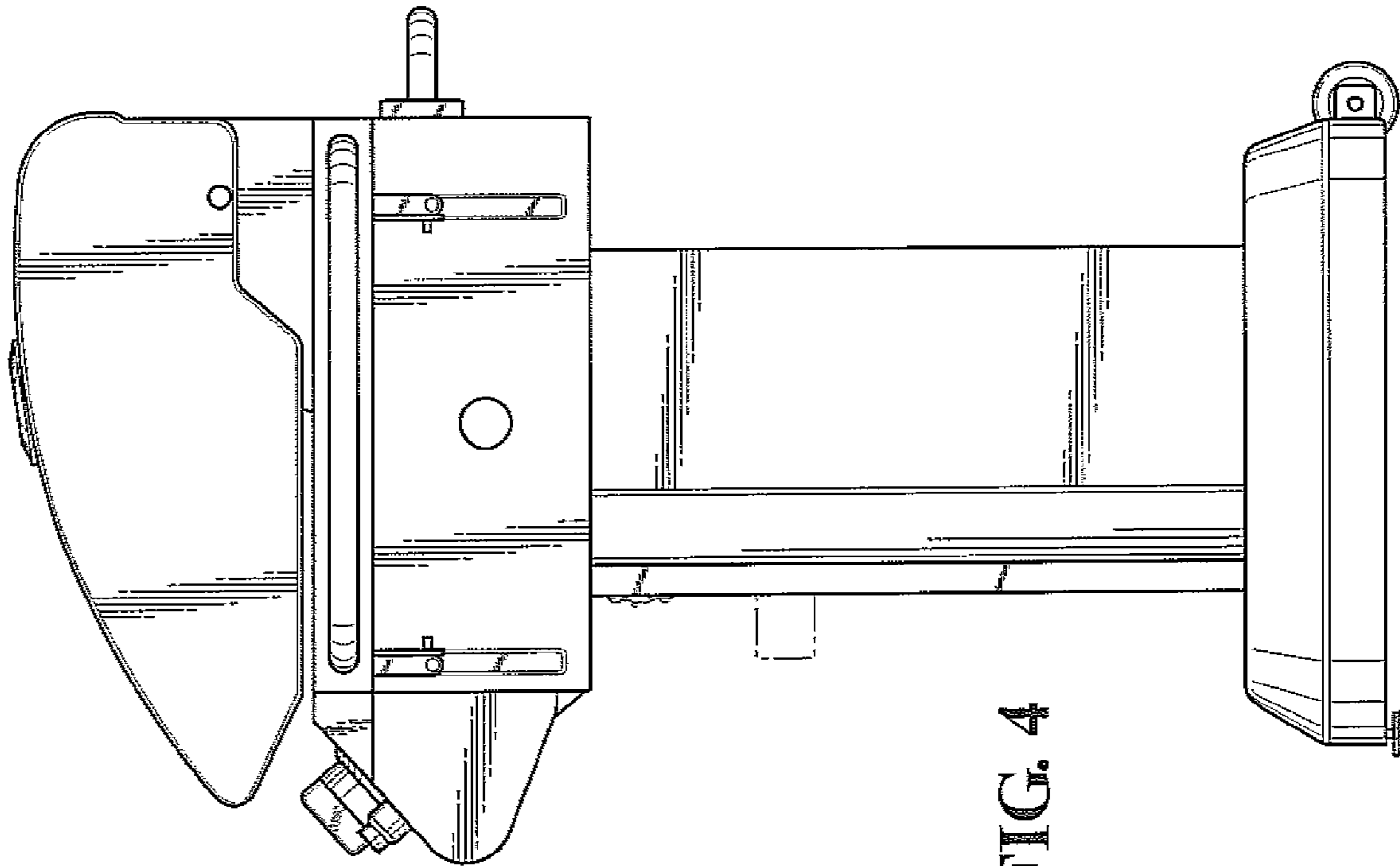


FIG. 4

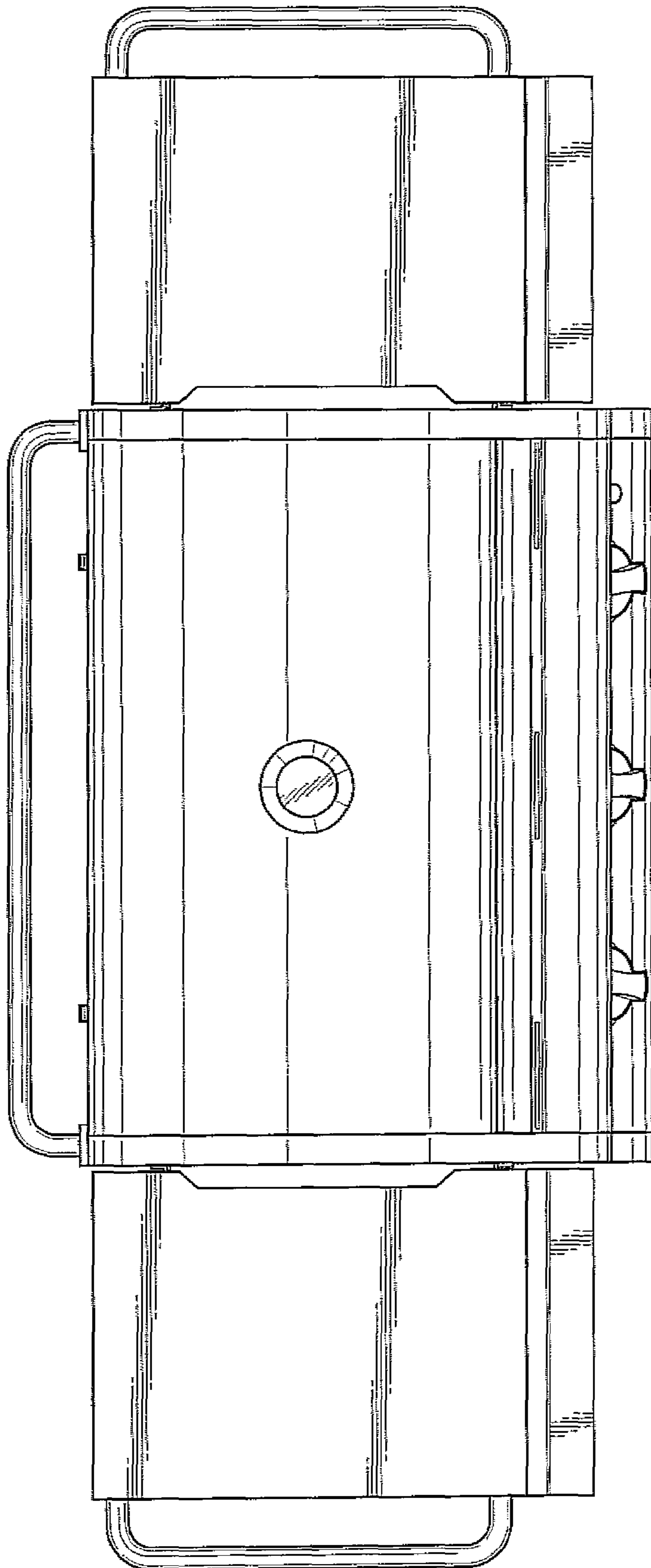


FIG. 6

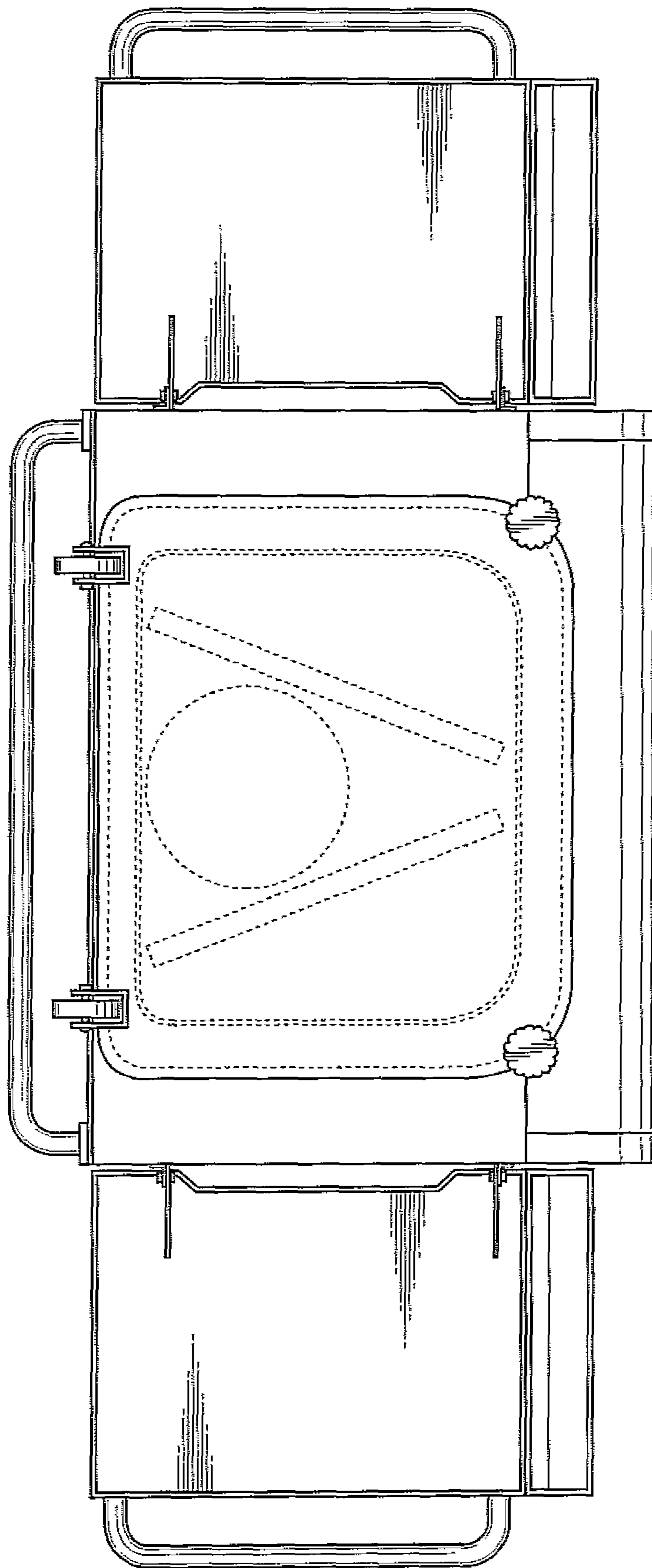


FIG. 7

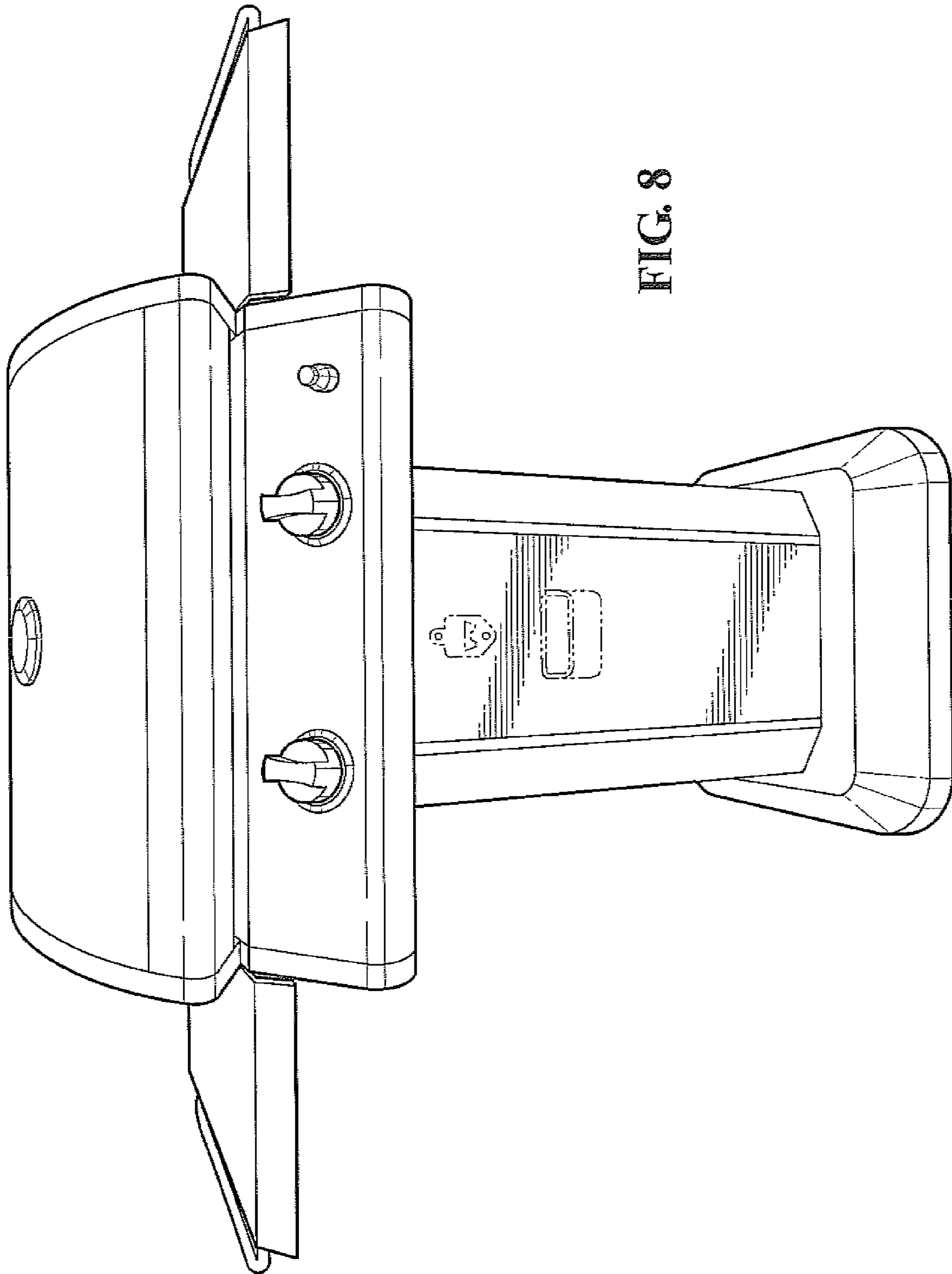


FIG. 8

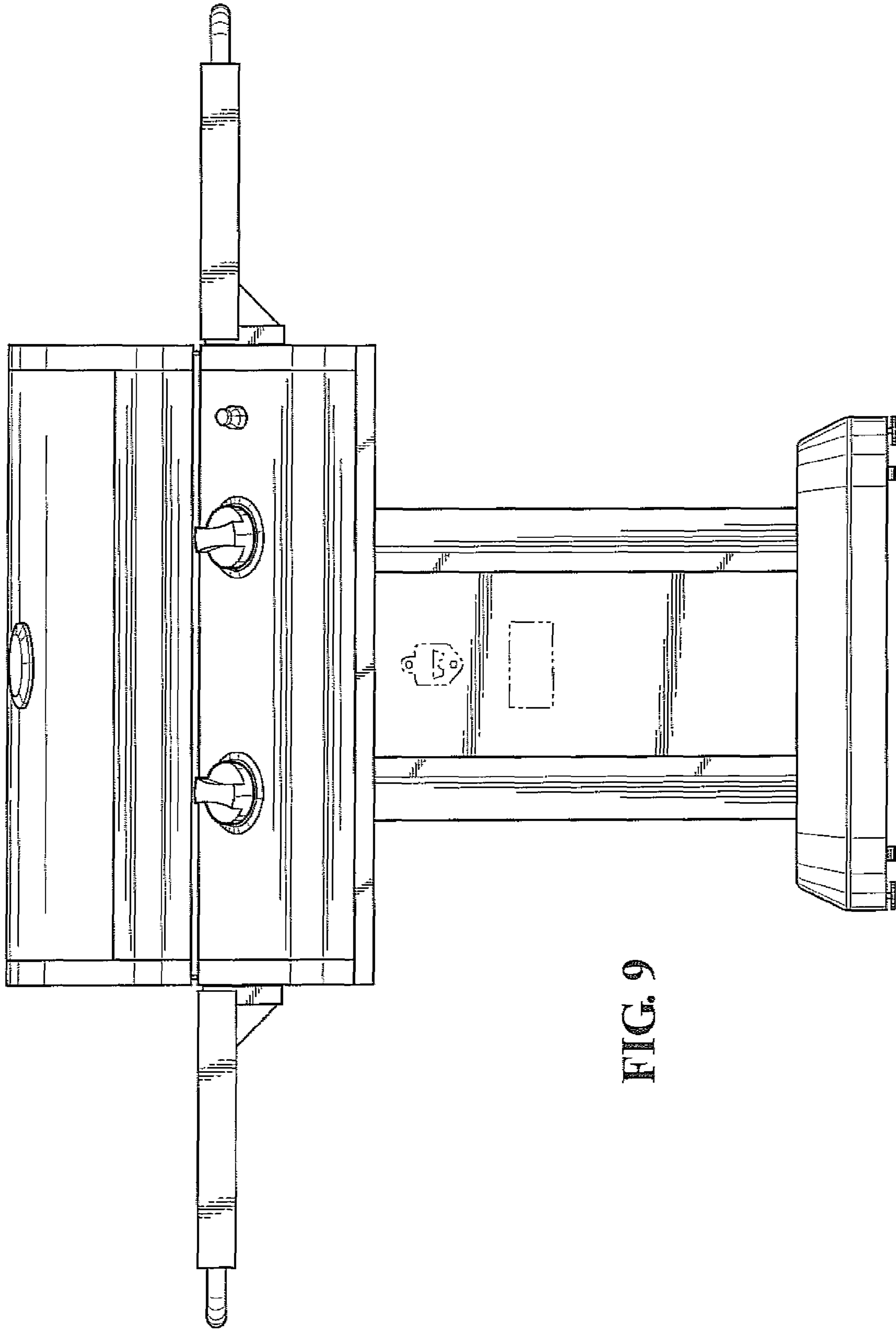


FIG. 9

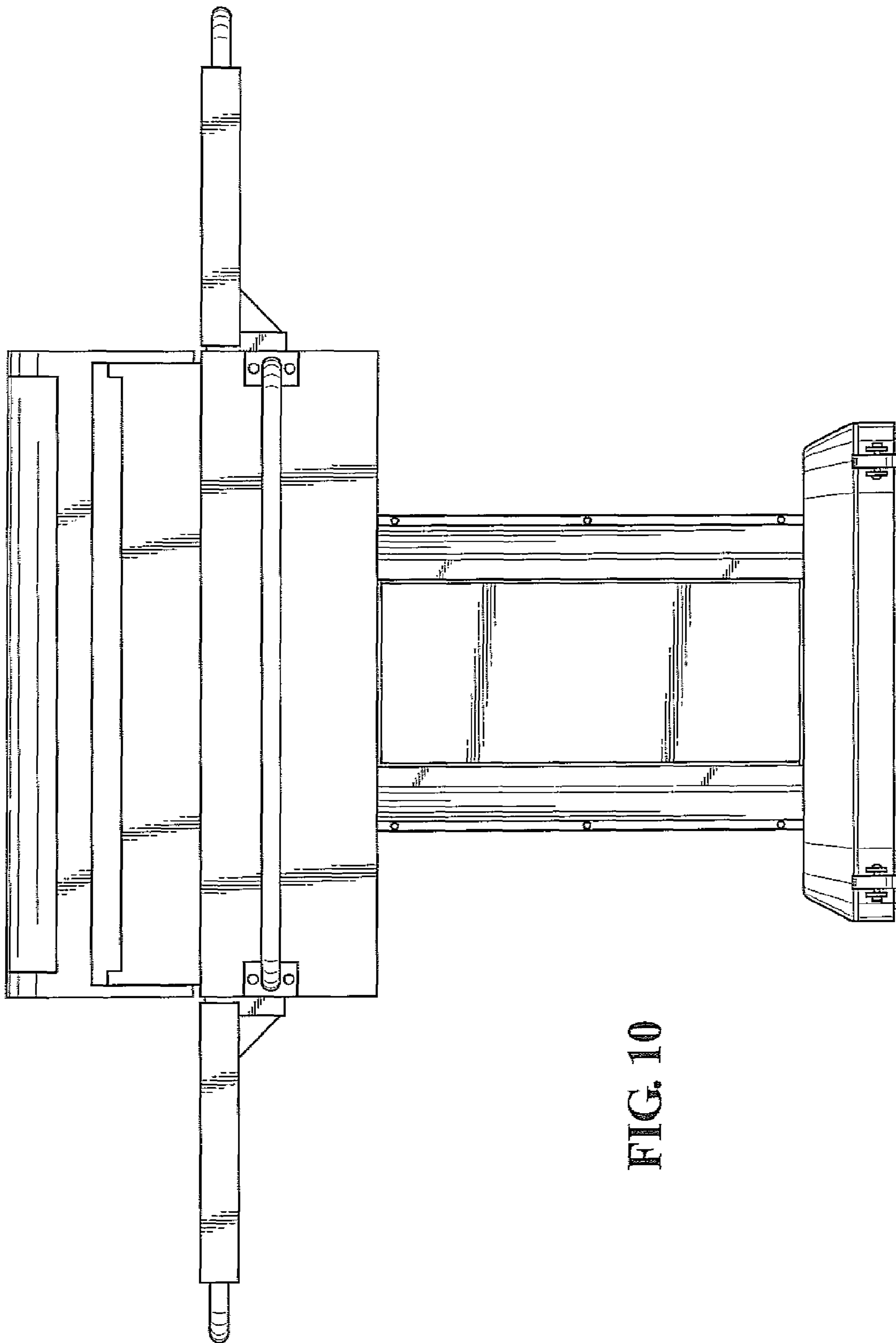
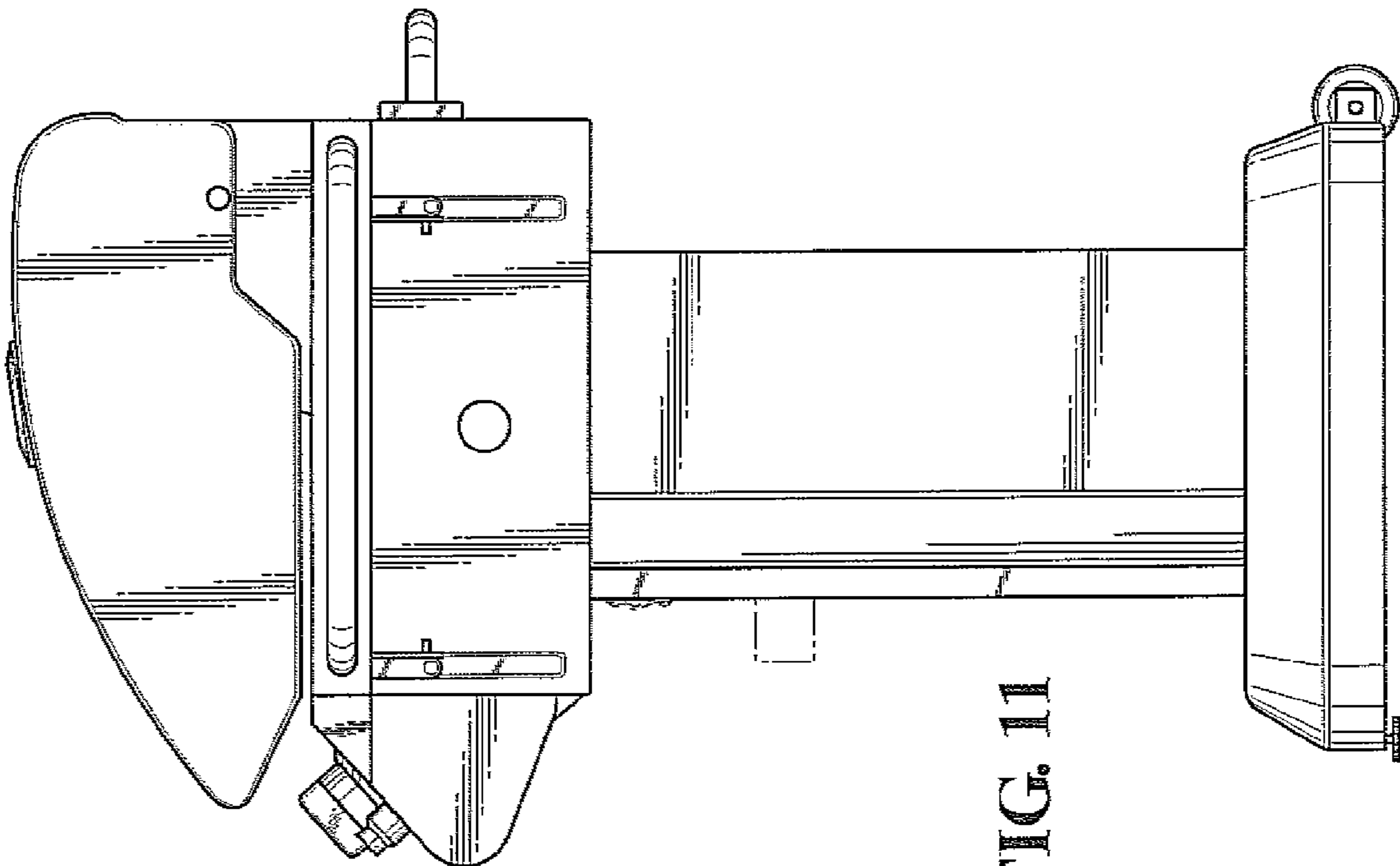
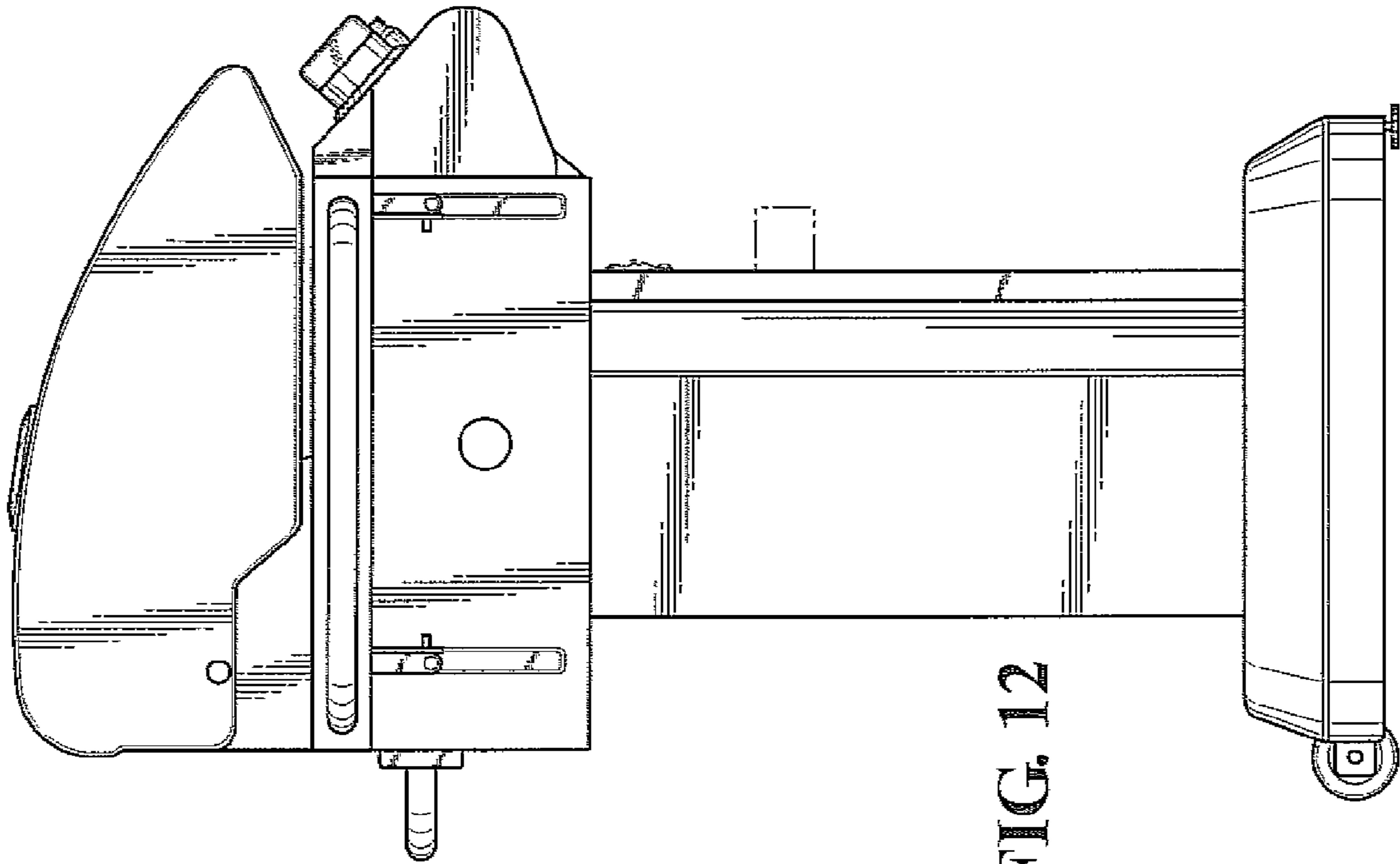


FIG. 10



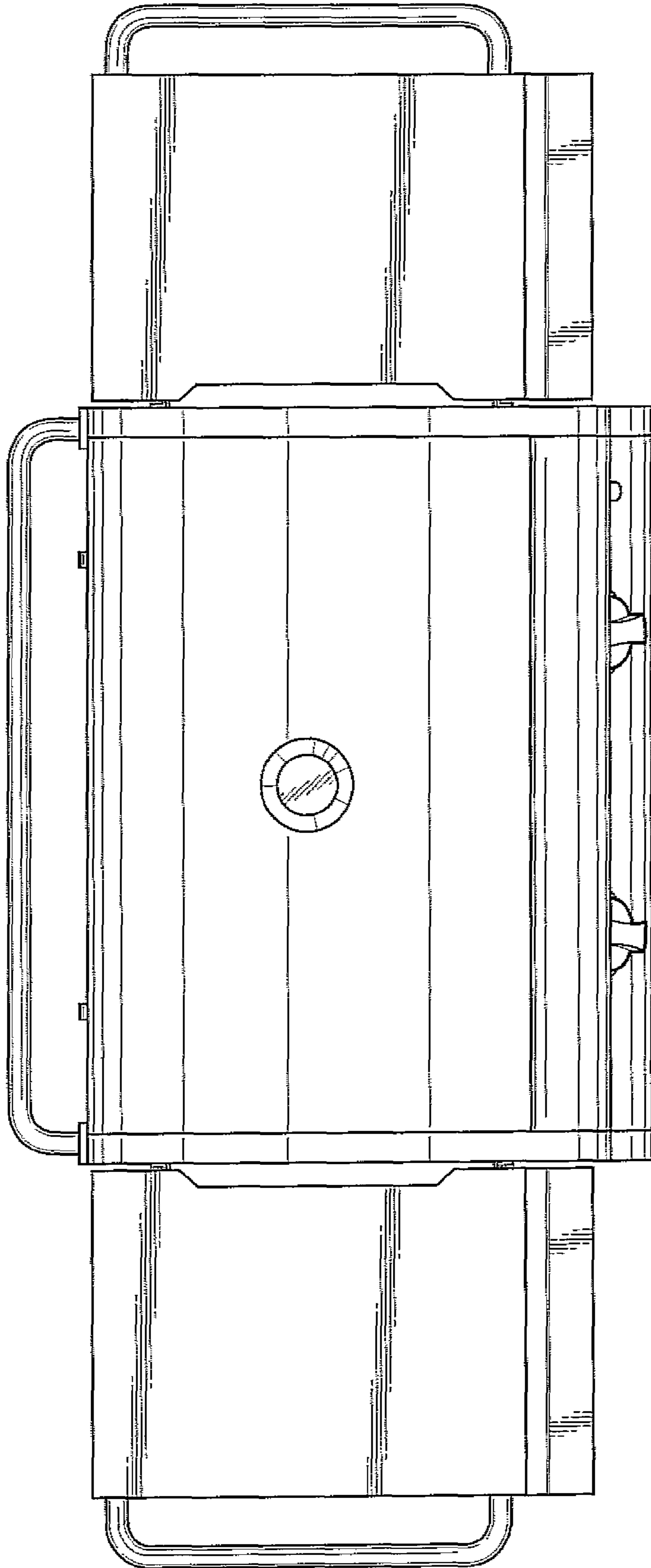


FIG. 13

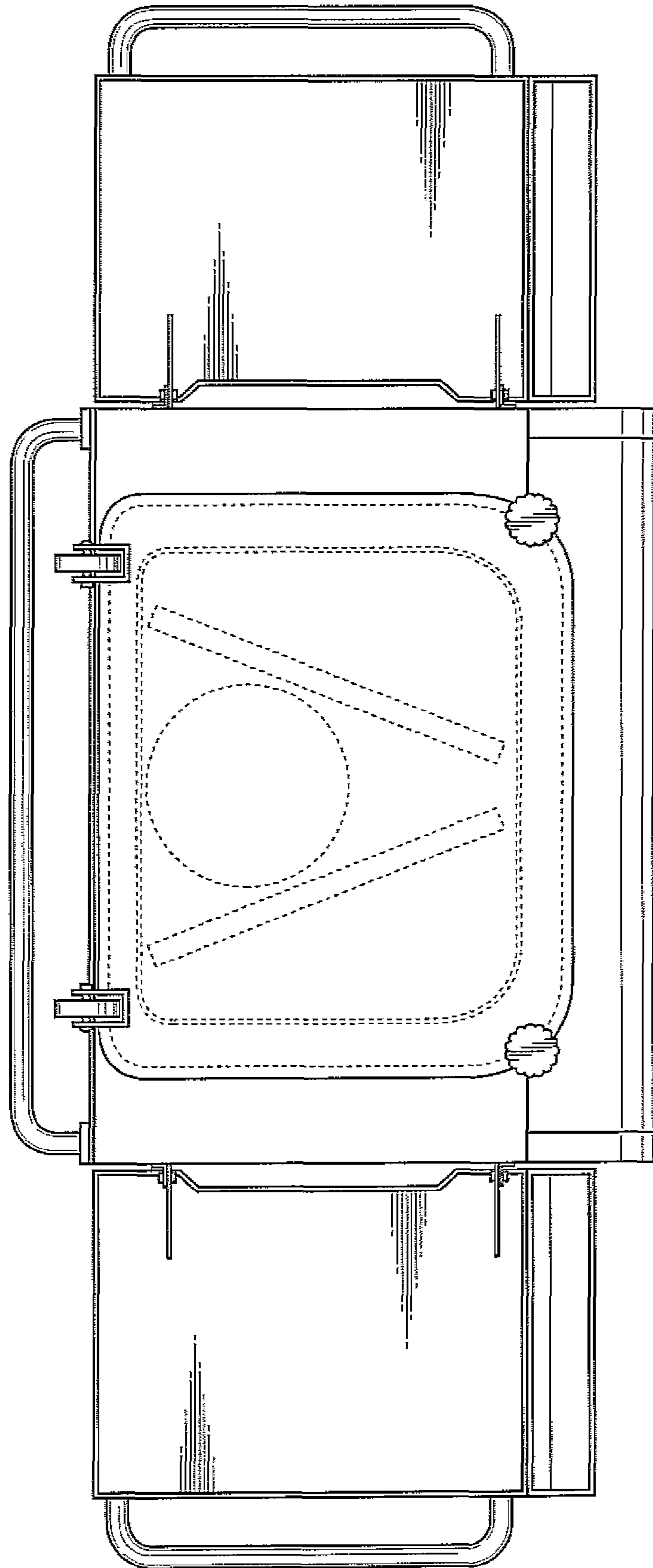


FIG. 14

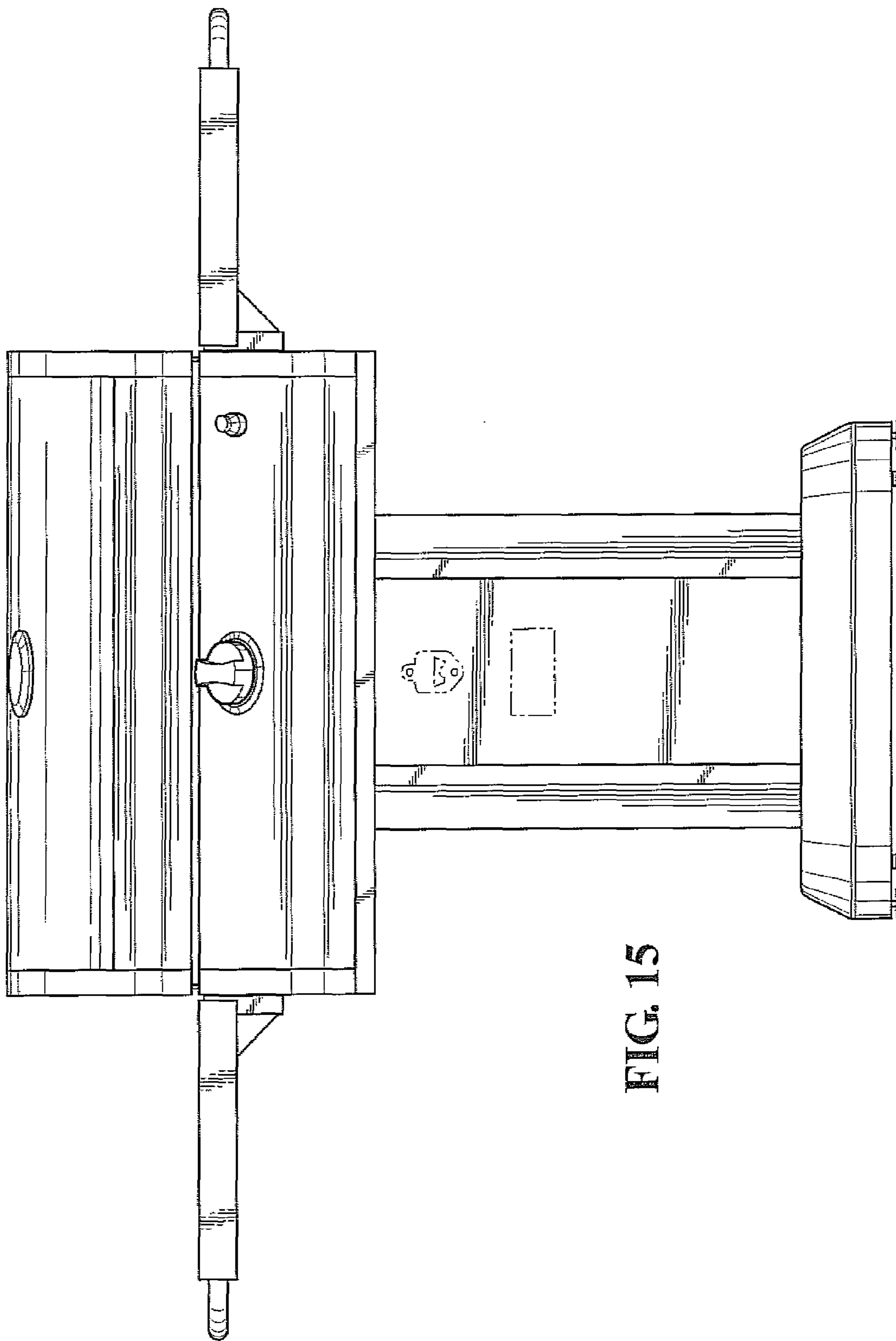


FIG. 15

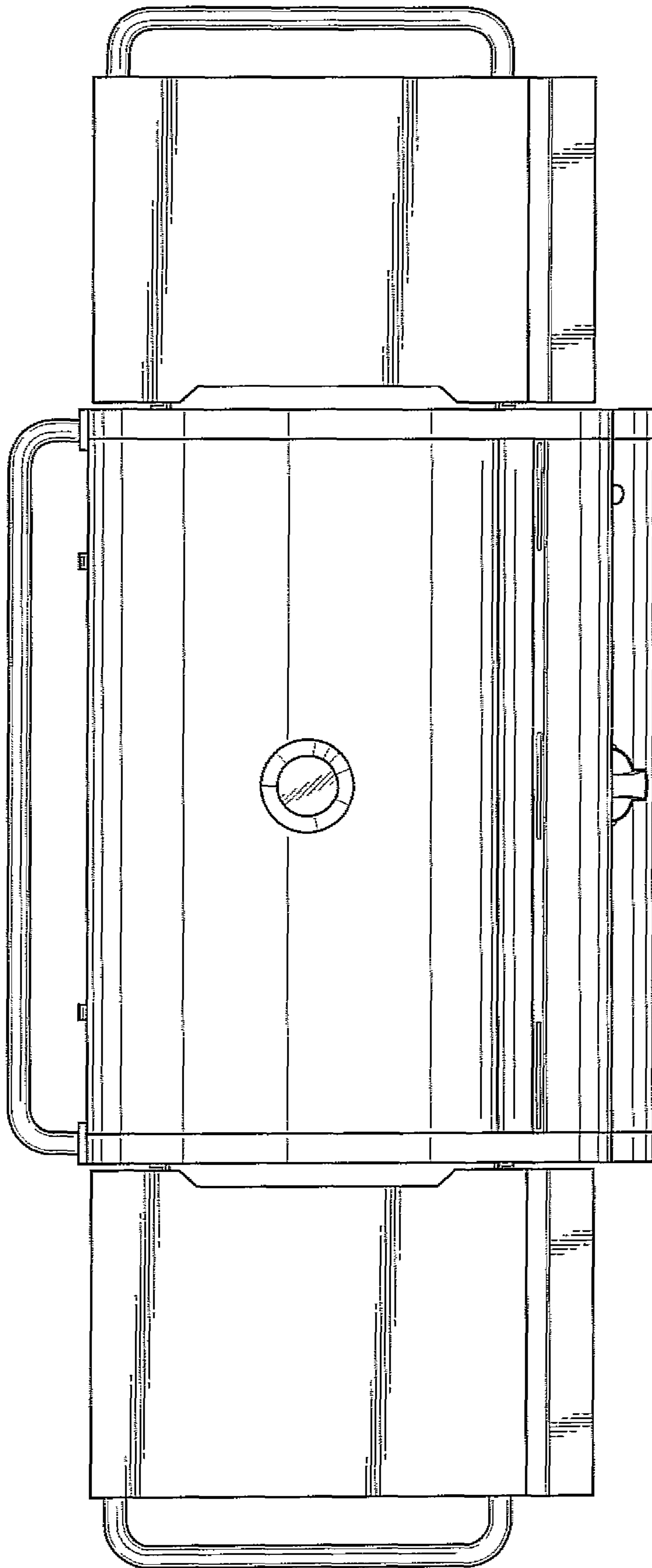


FIG. 16