



US00D658927S

(12) **United States Design Patent**  
**Mohr**

(10) **Patent No.:** **US D658,927 S**

(45) **Date of Patent:** **\*\* May 8, 2012**

(54) **PATIO GRILL**

(75) Inventor: **Greg Mohr**, Bartlett, IL (US)

(73) Assignee: **Victory Land Group, Inc.**, Bartlett, IL (US)

(\*\*) Term: **14 Years**

(21) Appl. No.: **29/362,098**

(22) Filed: **May 20, 2010**

(51) **LOC (9) Cl.** ..... **07-02**

(52) **U.S. Cl.** ..... **D7/335**

(58) **Field of Classification Search** ..... D7/332-337,  
D7/402-404; 126/25 R, 25 A, 25 B, 41 R,  
126/39-30, 9 R, 8, 38, 4, 268, 276, 40, 50,  
126/506; 99/481-482, 448

See application file for complete search history.

(56) **References Cited**

**U.S. PATENT DOCUMENTS**

D477,176 S *	7/2003	Wang	.....	D7/336
D480,596 S *	10/2003	Dellinger et al.	.....	D7/335
D483,983 S *	12/2003	Harrod et al.	.....	D7/334
D520,802 S *	5/2006	McLemore et al.	.....	D7/335
D548,514 S *	8/2007	Huang	.....	D7/335
D618,484 S *	6/2010	Tzeng	.....	D7/334
D618,951 S *	7/2010	Tzeng	.....	D7/334
2008/0271728 A1 *	11/2008	Pai	.....	126/25 R

**OTHER PUBLICATIONS**

“T-Grill” web page. (Believed to have been offered for sale, publicly used, and/or published prior to the filing date of this application.)

“Grandhall’s New T-Grill” web page. (Believed to have been offered for sale, publicly used, and/or published prior to the filing date of this application.)

\* cited by examiner

*Primary Examiner* — Ruth McInroy

(74) *Attorney, Agent, or Firm* — Gifford, Krass, Sprinkle, Anderson & Citkowski, P.C.

(57) **CLAIM**

The ornamental design for patio grill, as shown and described.

**DESCRIPTION**

FIG. 1 is a front perspective view of a patio grill showing my new design;

FIG. 2 is a front view thereof;

FIG. 3 is a rear view thereof;

FIG. 4 is a right side view thereof;

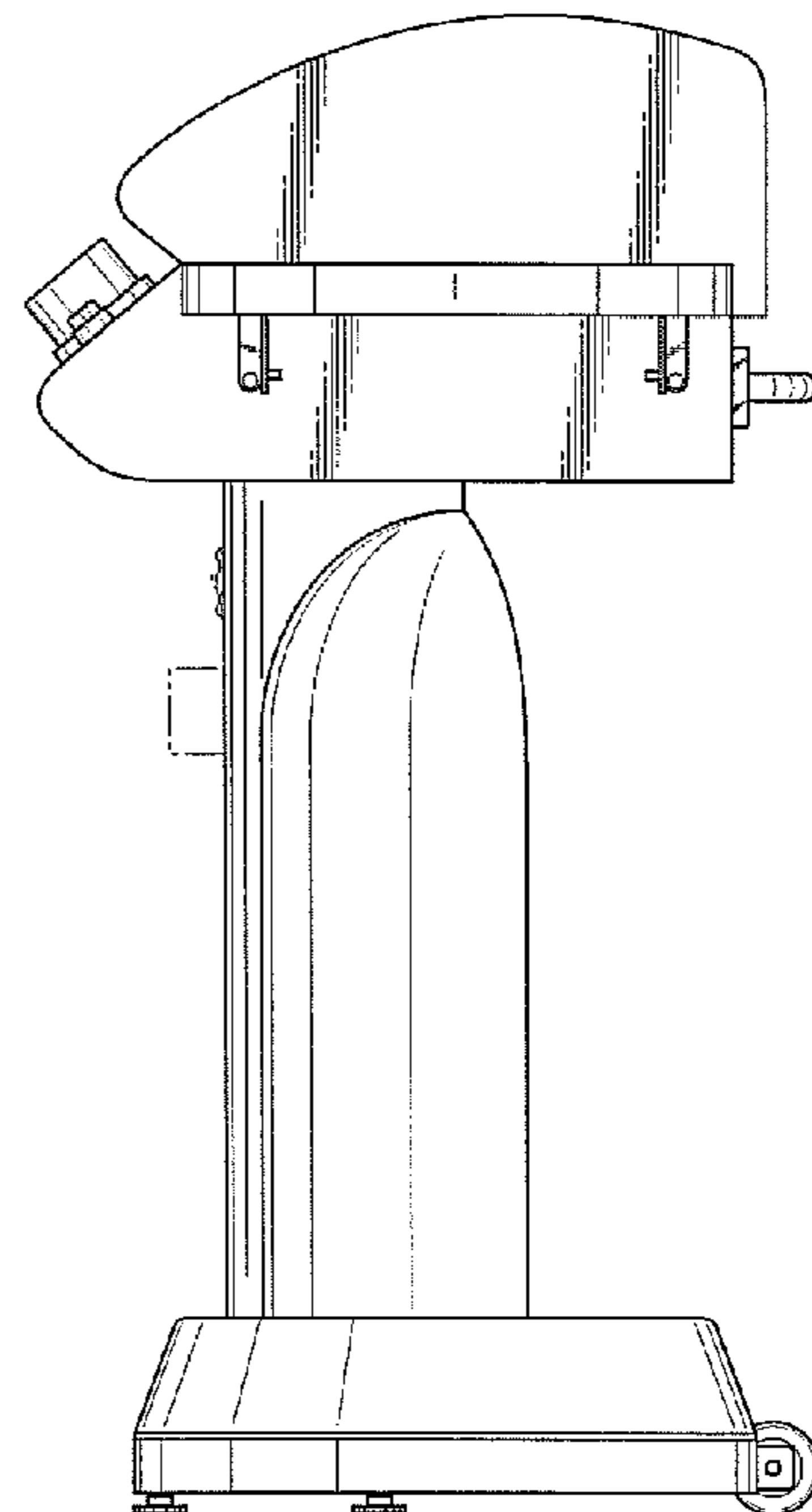
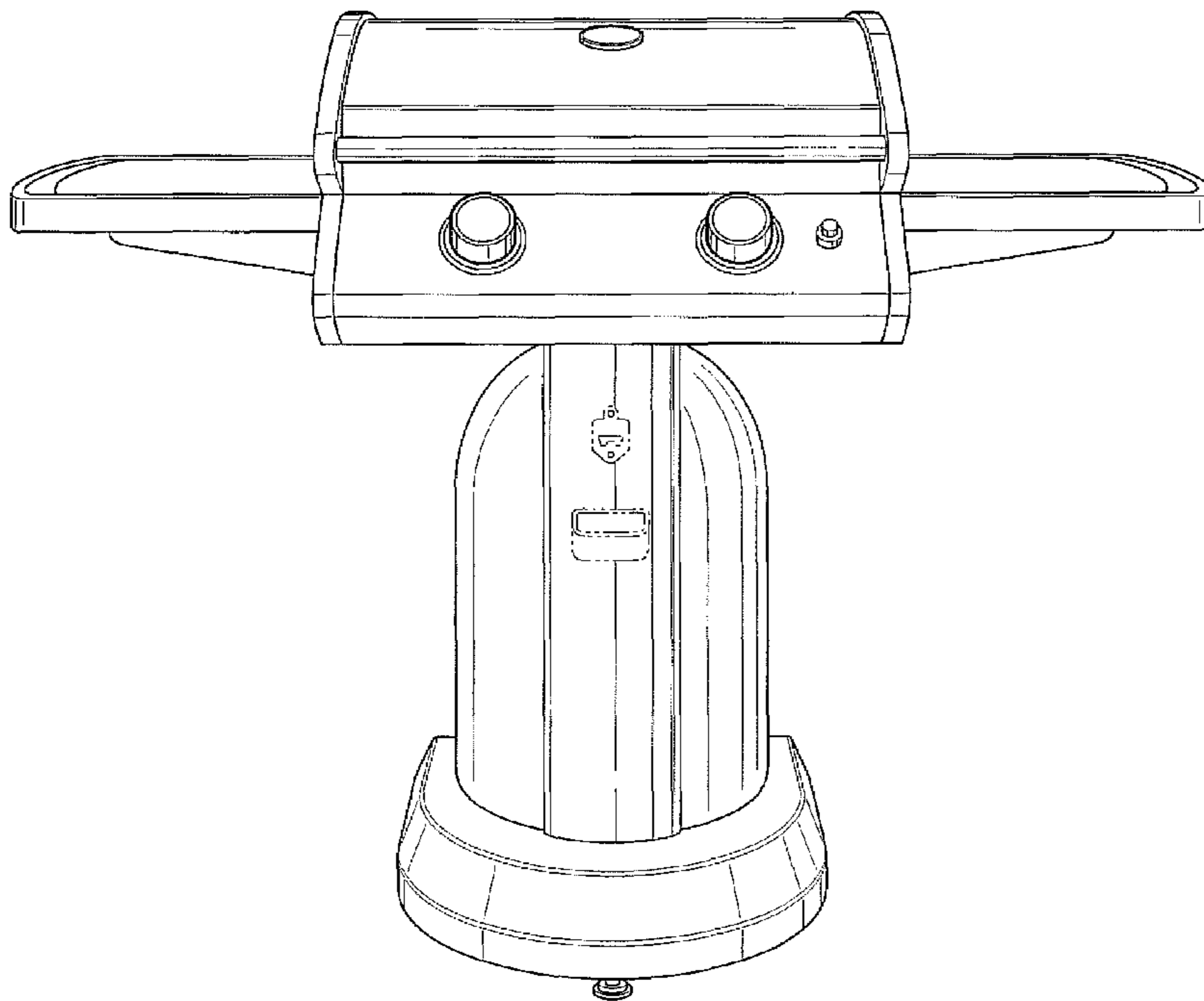
FIG. 5 is a left side view thereof;

FIG. 6 is a top view thereof; and,

FIG. 7 is a bottom view thereof.

The details shown in broken lines form no part of the claimed design.

**1 Claim, 6 Drawing Sheets**



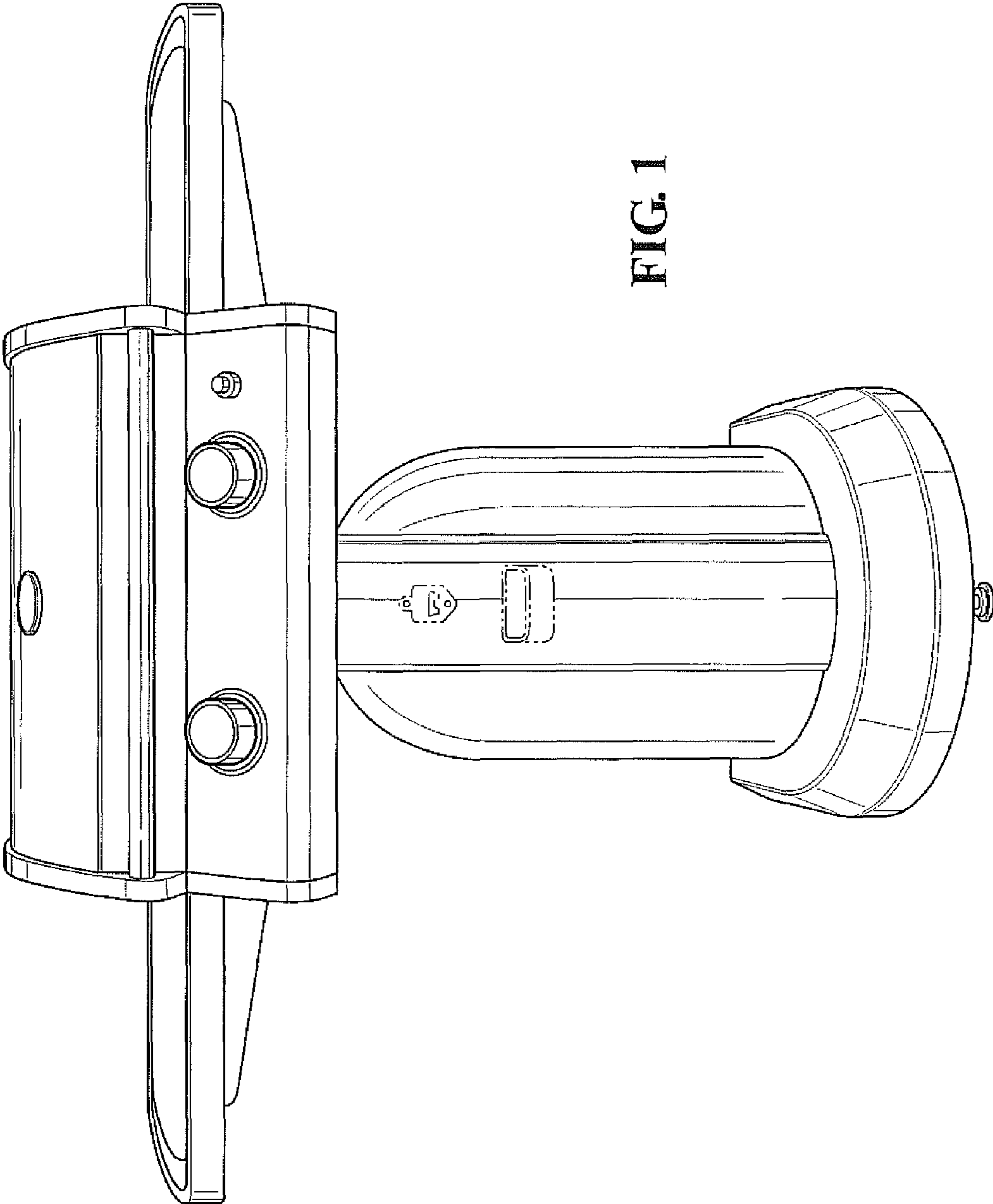


FIG. 1

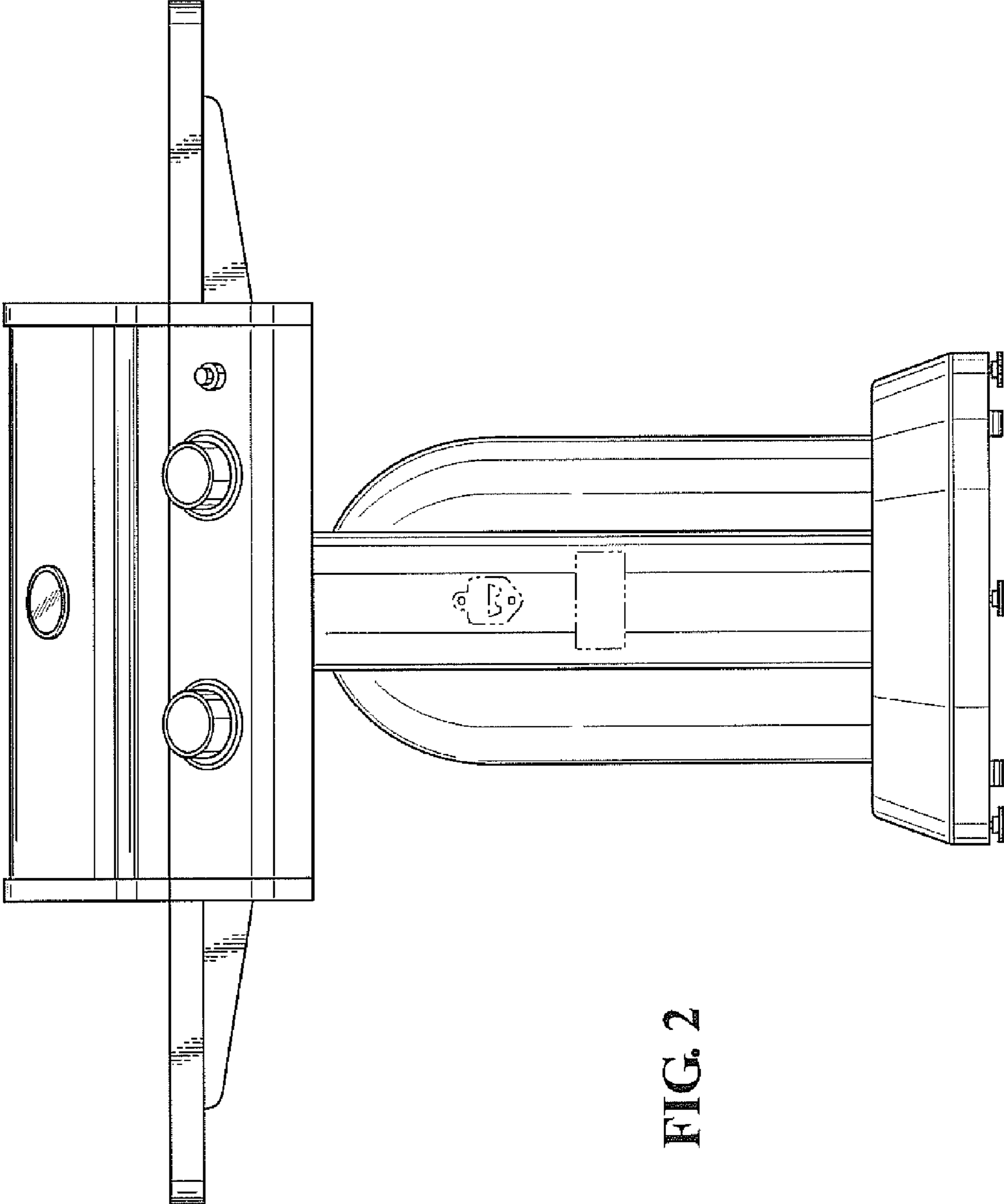


FIG. 2

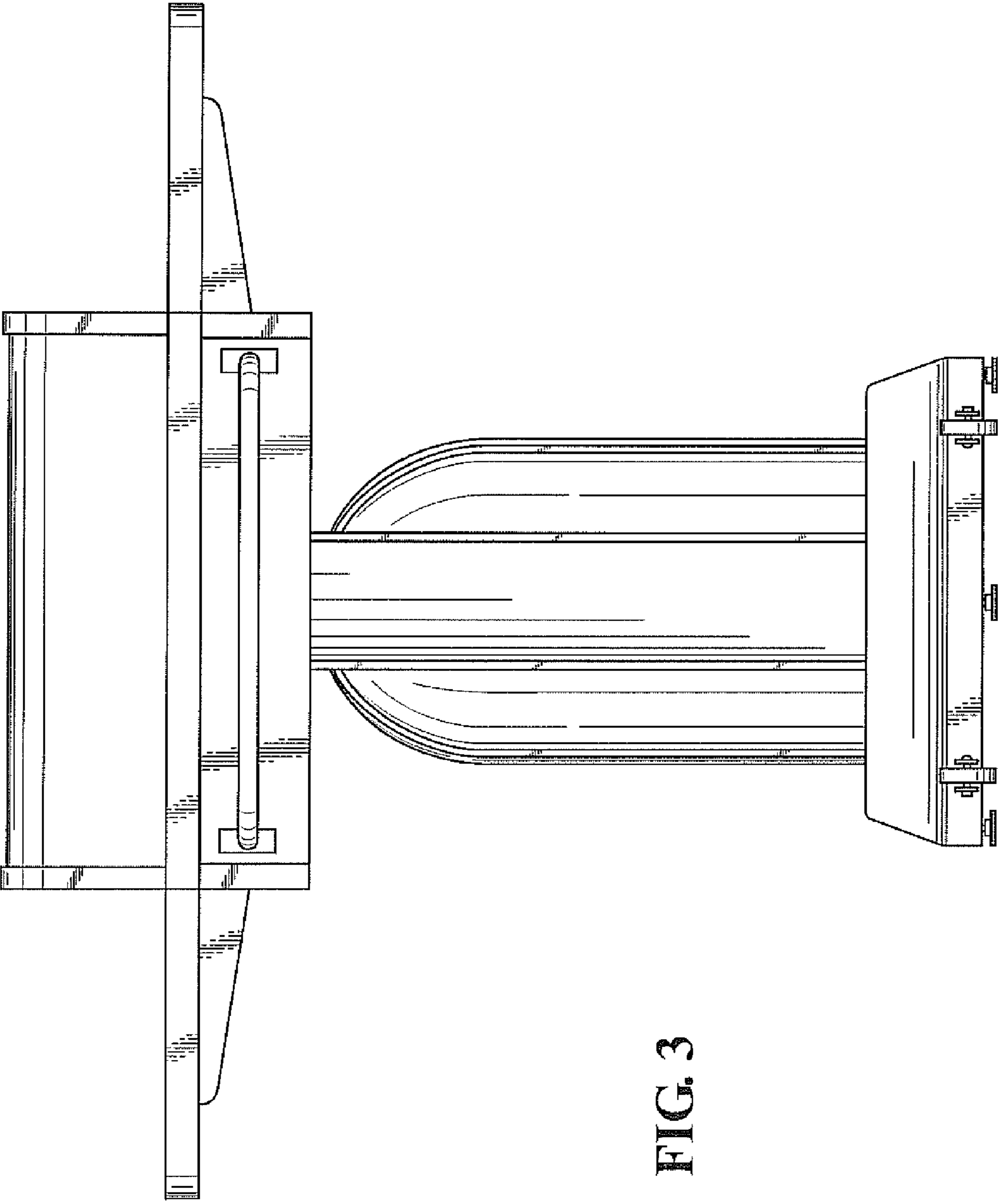


FIG. 3

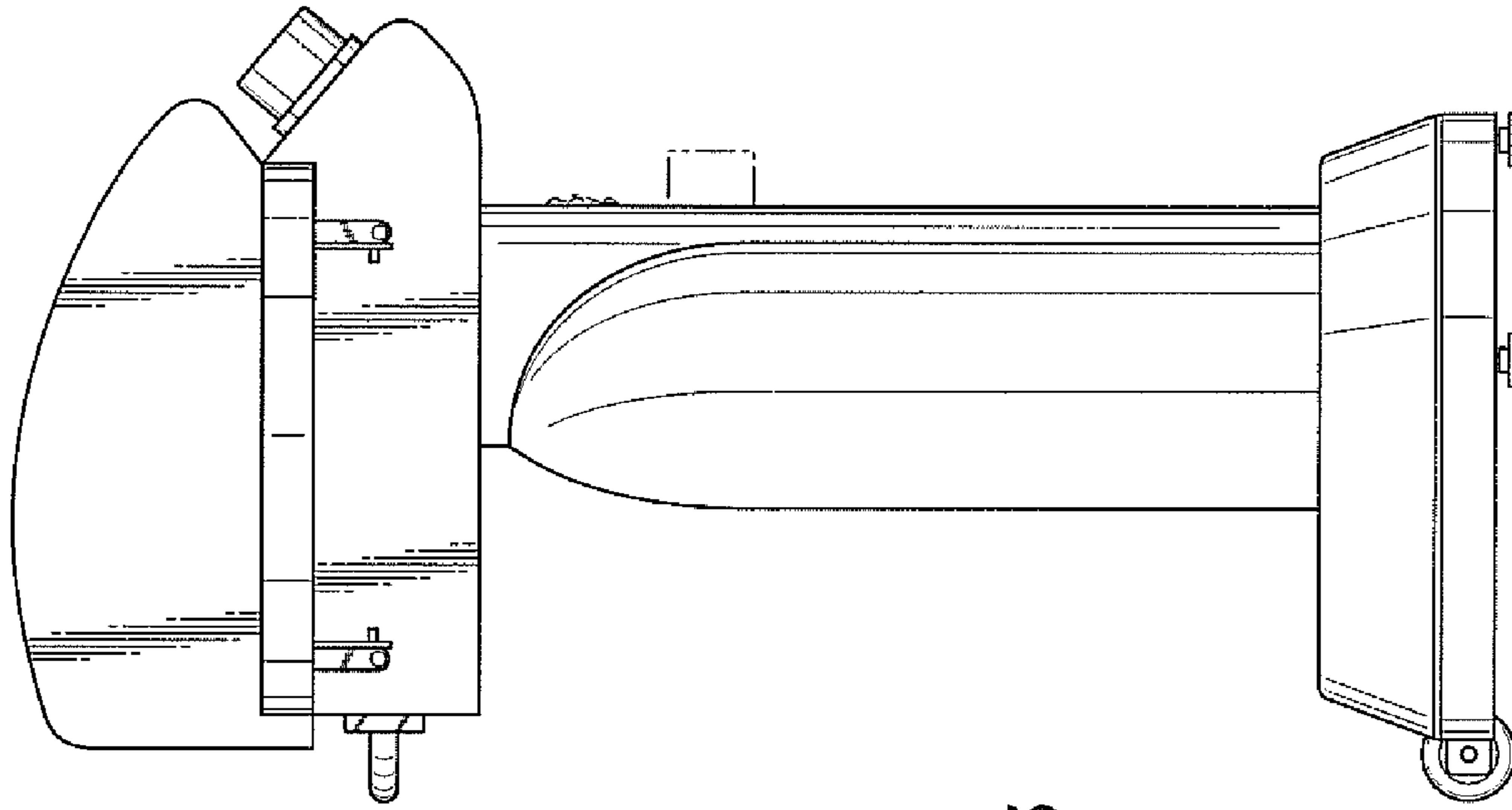


FIG. 5

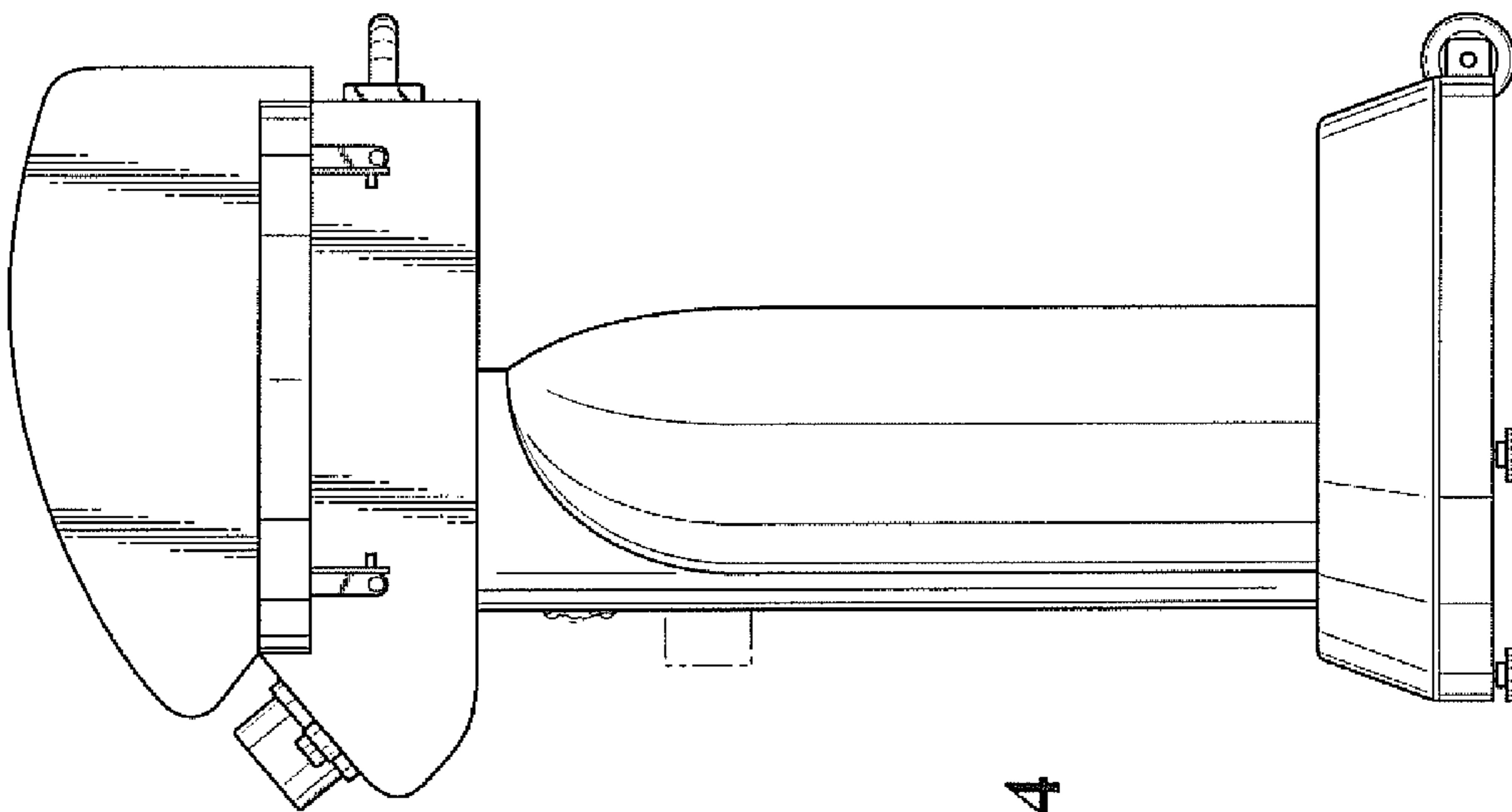


FIG. 4

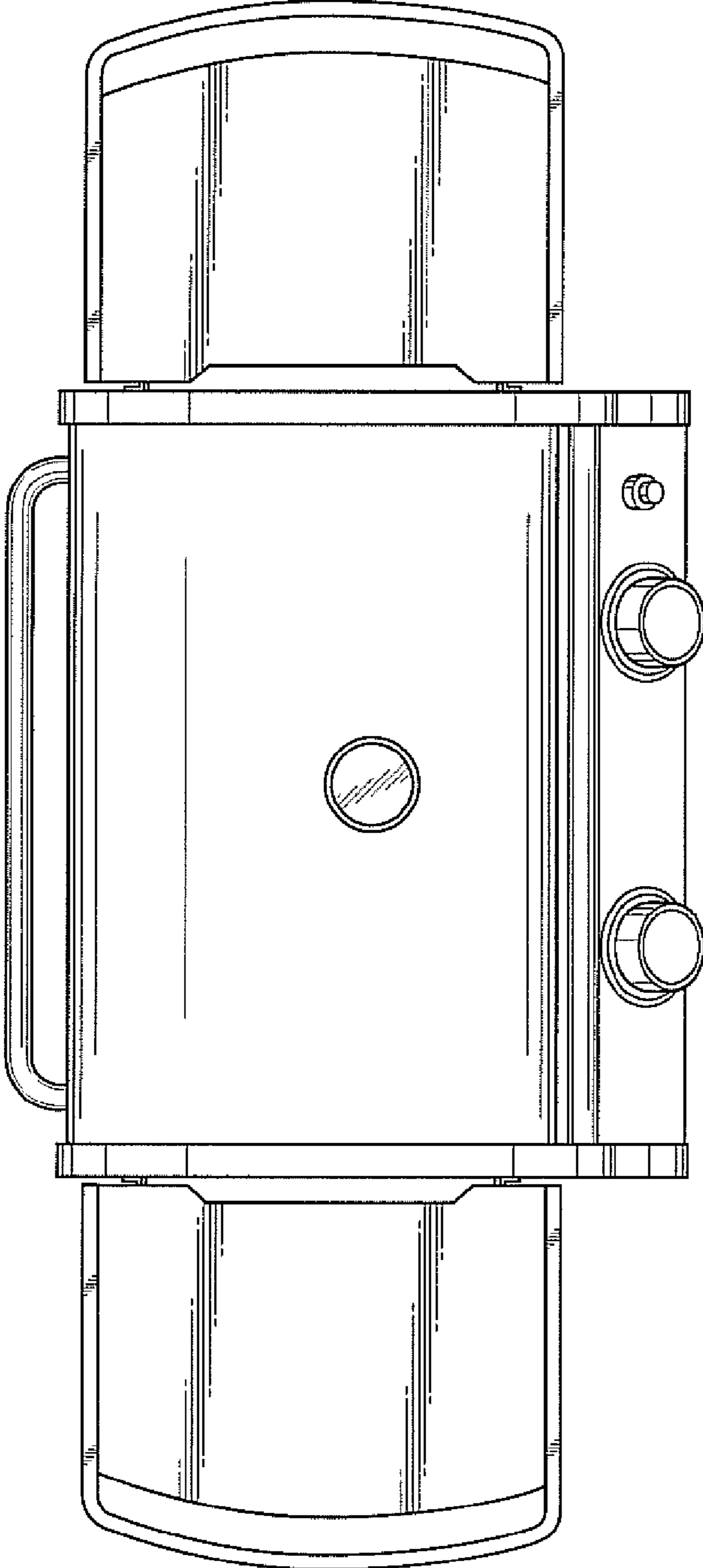


FIG. 6

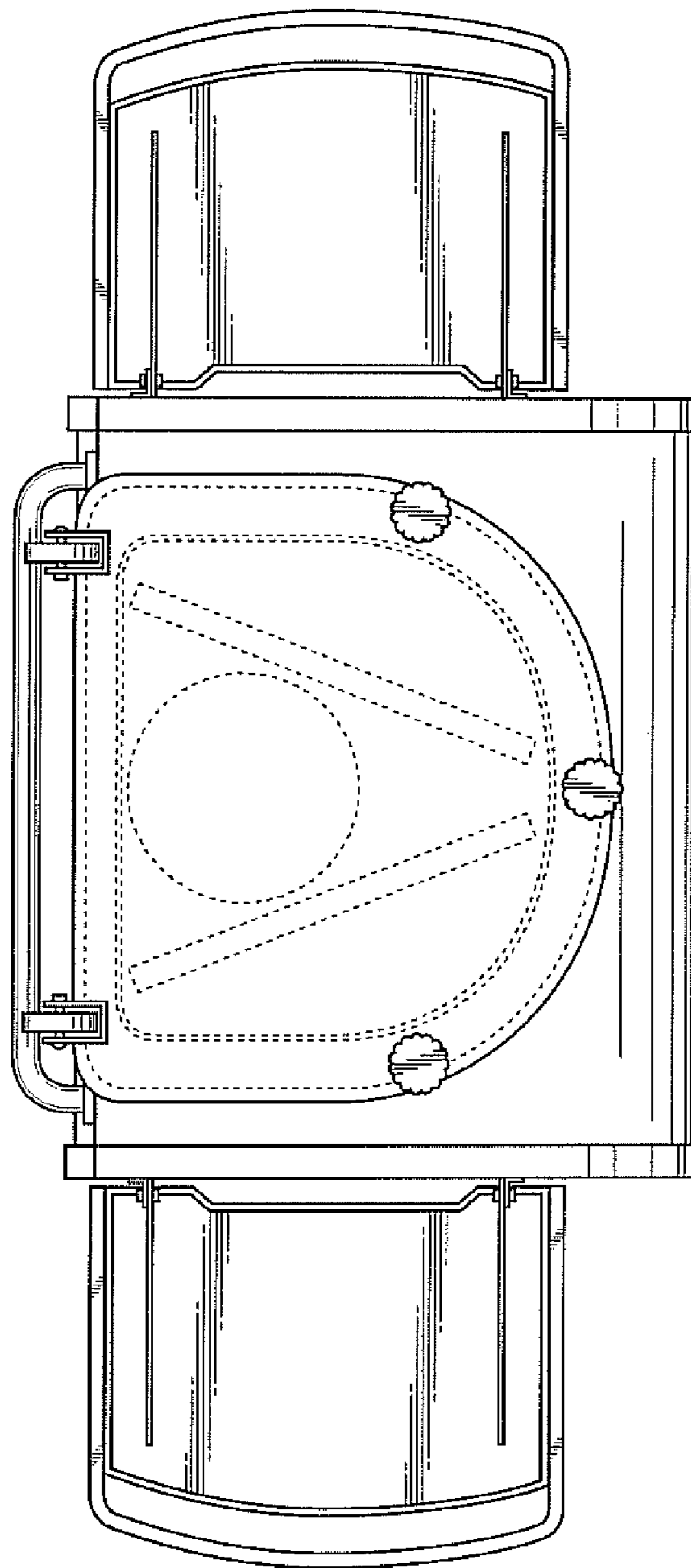


FIG. 7