



US00D658925S

(12) **United States Design Patent**
Horimoto

(10) **Patent No.:** **US D658,925 S**

(45) **Date of Patent:** **** May 8, 2012**

(54) **ELECTRIC KETTLE**

(75) Inventor: **Mitsunori Horimoto**, Osaka (JP)

(73) Assignee: **Zojirushi Corporation** (JP)

(**) Term: **14 Years**

(21) Appl. No.: **29/379,584**

(22) Filed: **Nov. 22, 2010**

(30) **Foreign Application Priority Data**

May 25, 2010 (JP) 2010-012818

(51) **LOC (9) Cl.** **07-01**

(52) **U.S. Cl.** **D7/319; D7/317**

(58) **Field of Classification Search** D7/318,
D7/317, 316, 319; 222/129.1, 146.6; 99/323.3,
99/281

See application file for complete search history.

(56) **References Cited**

U.S. PATENT DOCUMENTS

D322,007 S * 12/1991 Adams et al. D7/317
D544,288 S * 6/2007 Berlencourt D7/319

D599,161 S * 9/2009 Friel et al. D7/319
D613,988 S * 4/2010 Lane et al. D7/317
D627,587 S * 11/2010 Dahlstrom D7/319
D628,426 S * 12/2010 Hoare et al. D7/319

* cited by examiner

Primary Examiner — Marianne Pandozzi

(74) *Attorney, Agent, or Firm* — Saidman DesignLaw Group

(57) **CLAIM**

The ornamental design for an electric kettle, as shown and described.

DESCRIPTION

FIG. 1 is a top perspective view of an electric kettle showing my new design;

FIG. 2 is an exploded perspective view thereof;

FIG. 3 is a right side view thereof;

FIG. 4 is a front view thereof;

FIG. 5 is a left side view thereof;

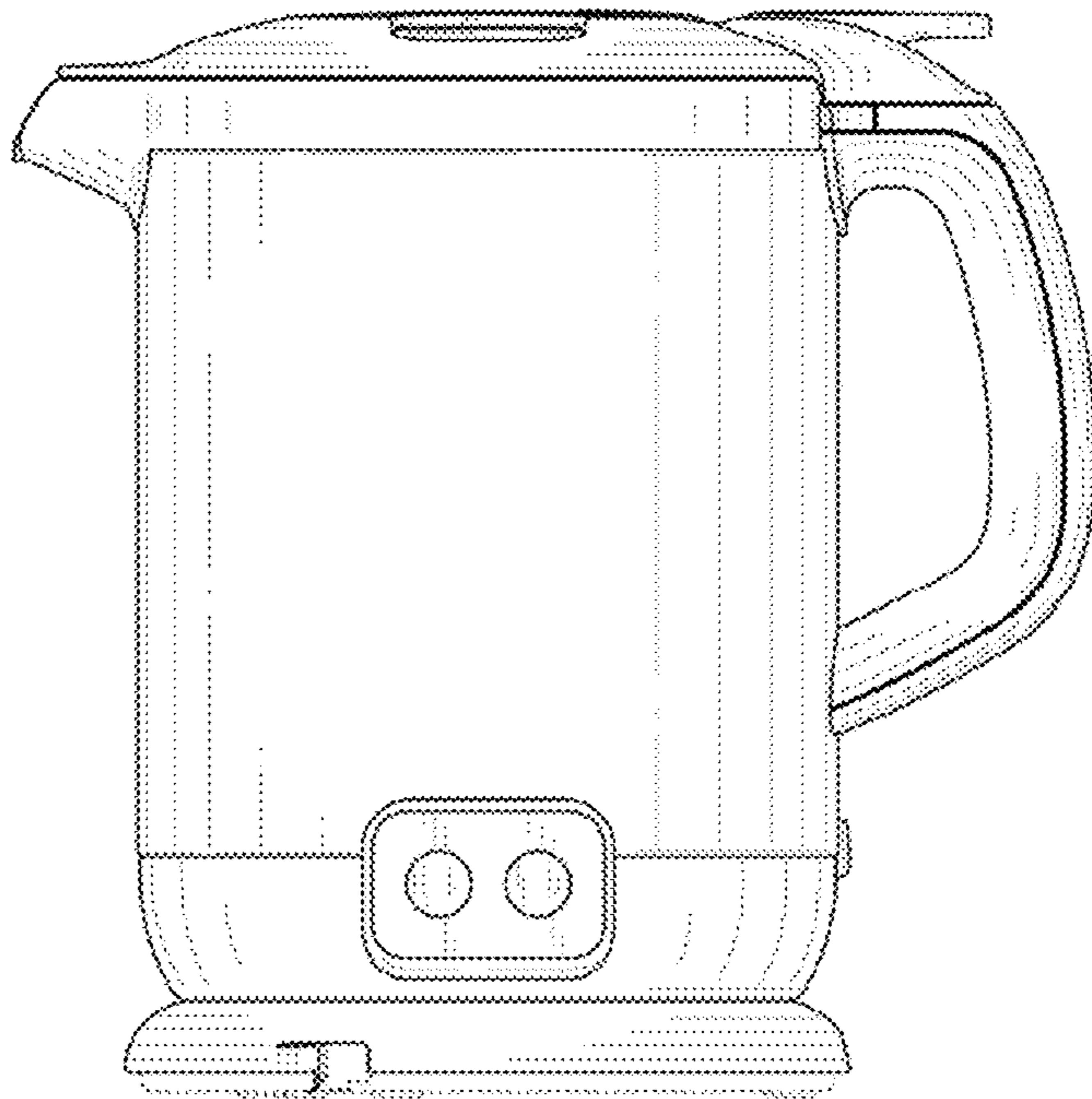
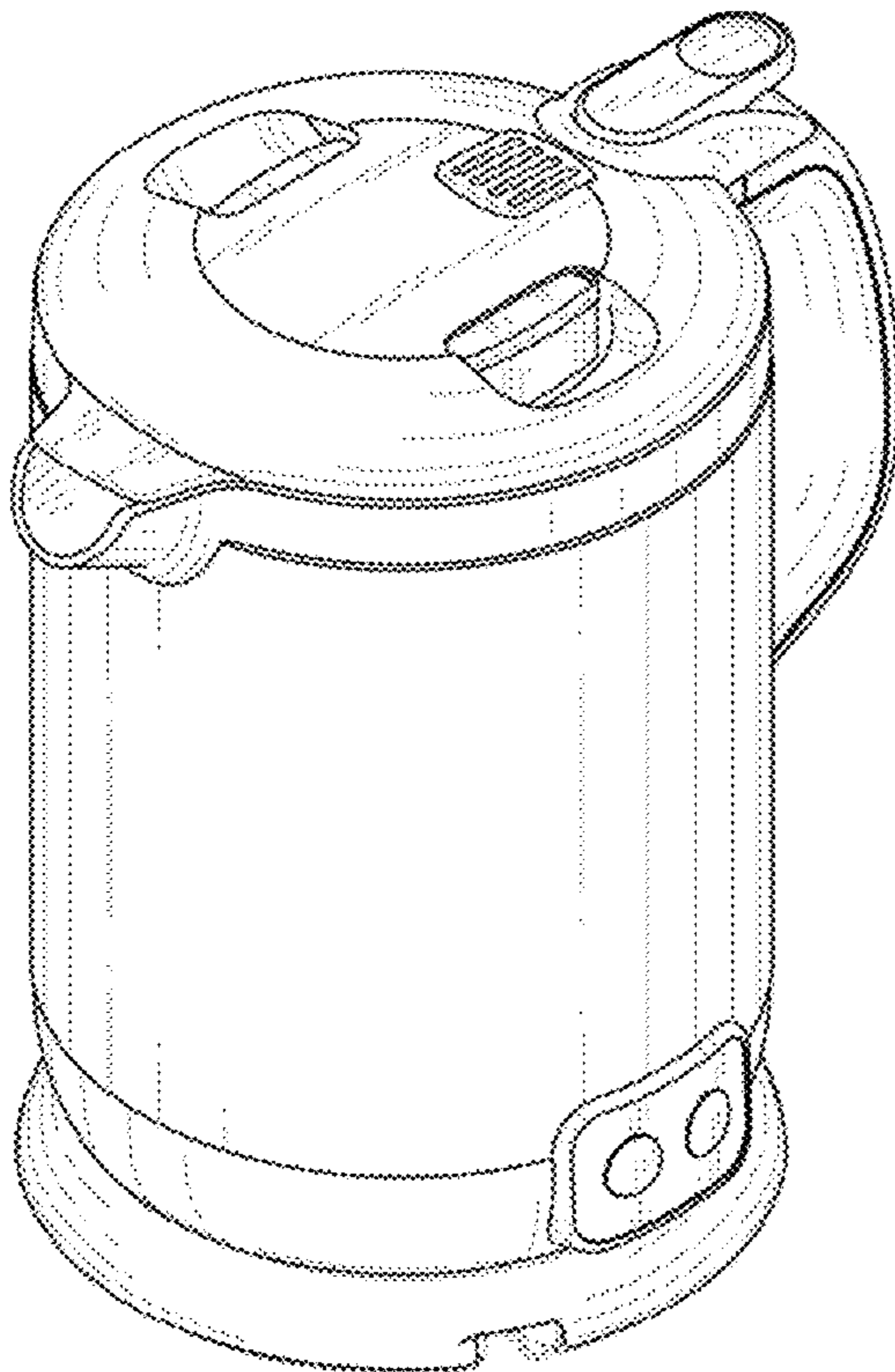
FIG. 6 is a rear view thereof;

FIG. 7 is a top plan view thereof; and,

FIG. 8 is a bottom plan view thereof.

The broken lines illustrate portions of the electric kettle and form no part of the claimed design.

1 Claim, 8 Drawing Sheets



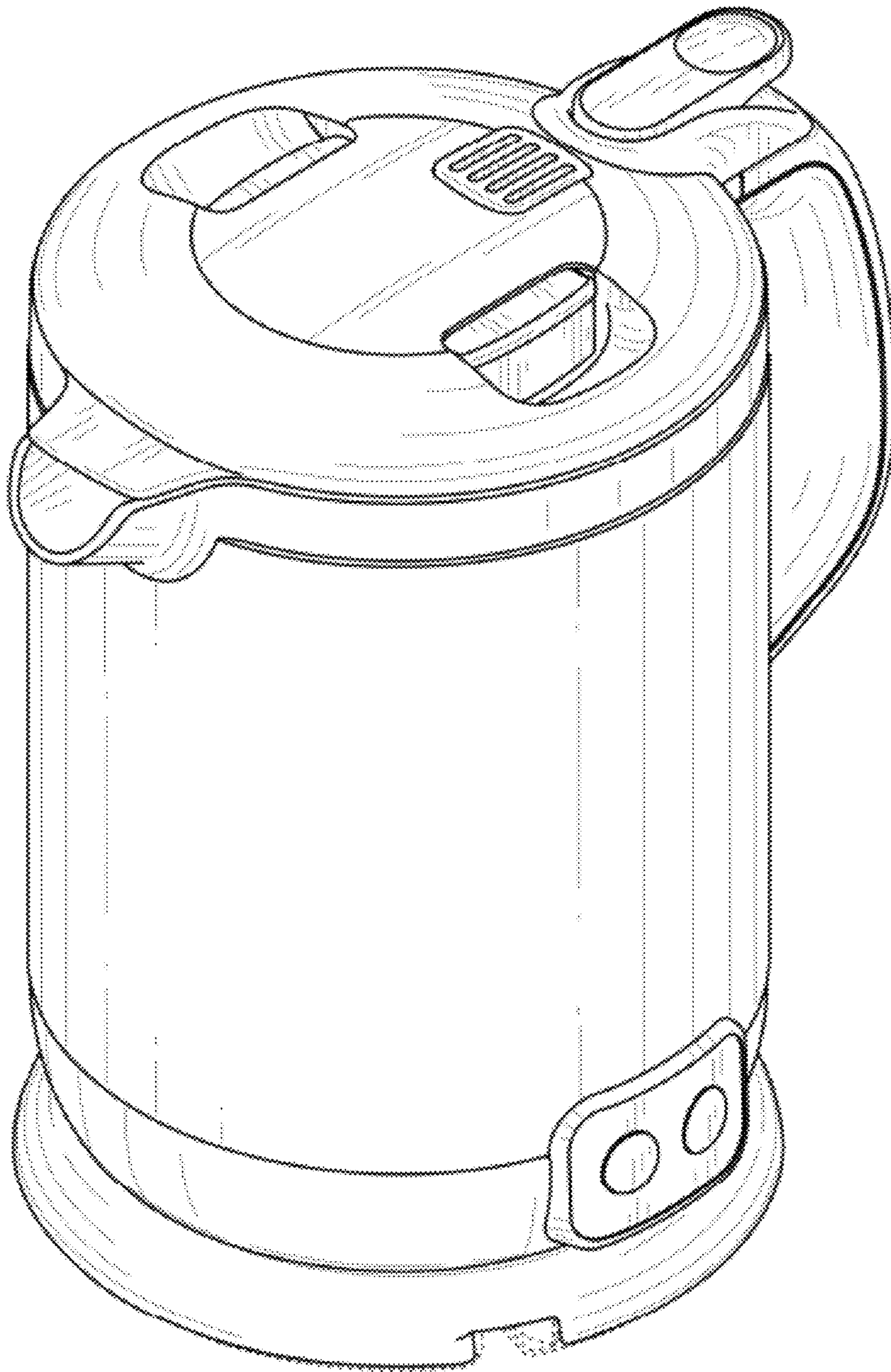


Fig. 1

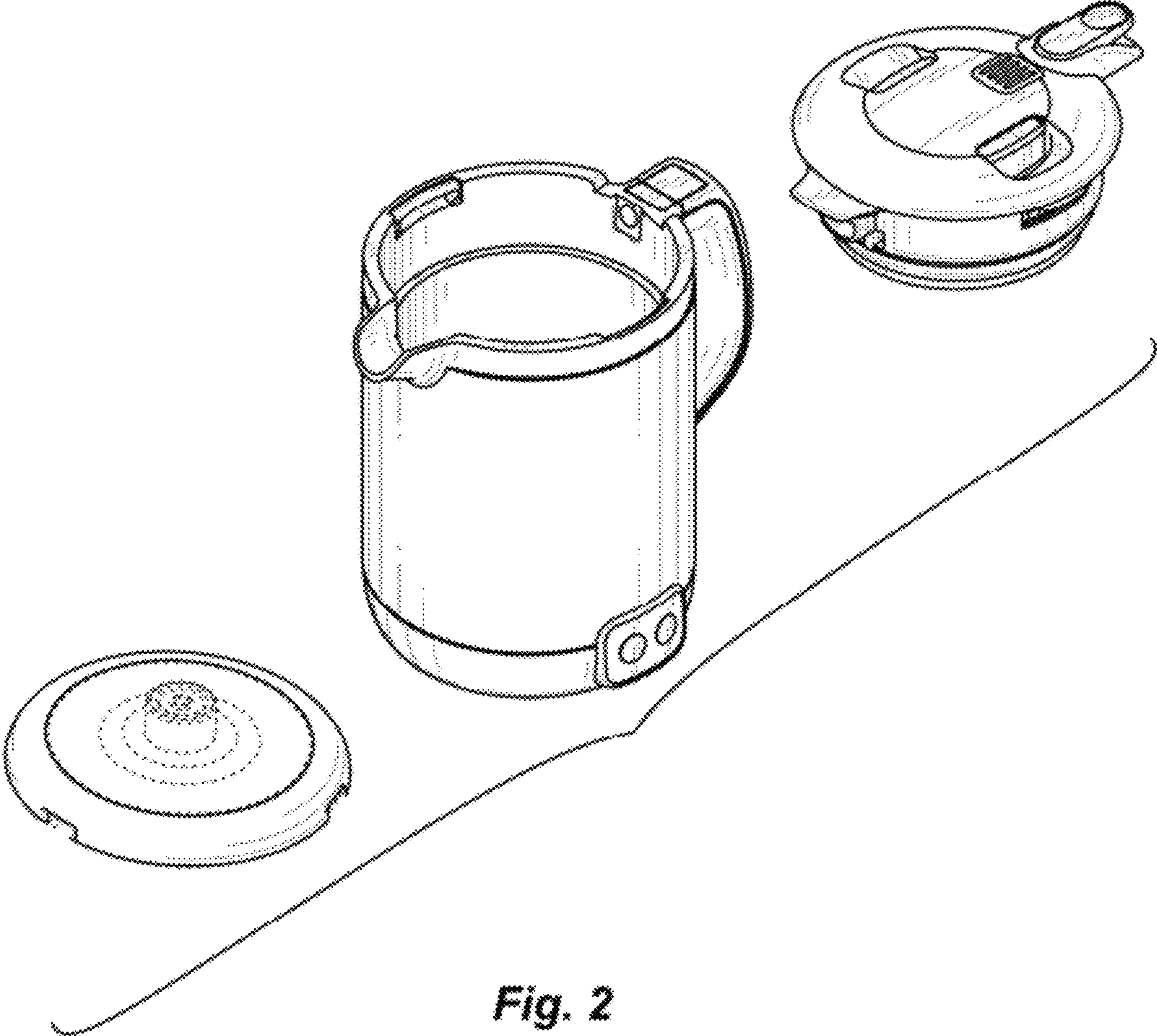


Fig. 2

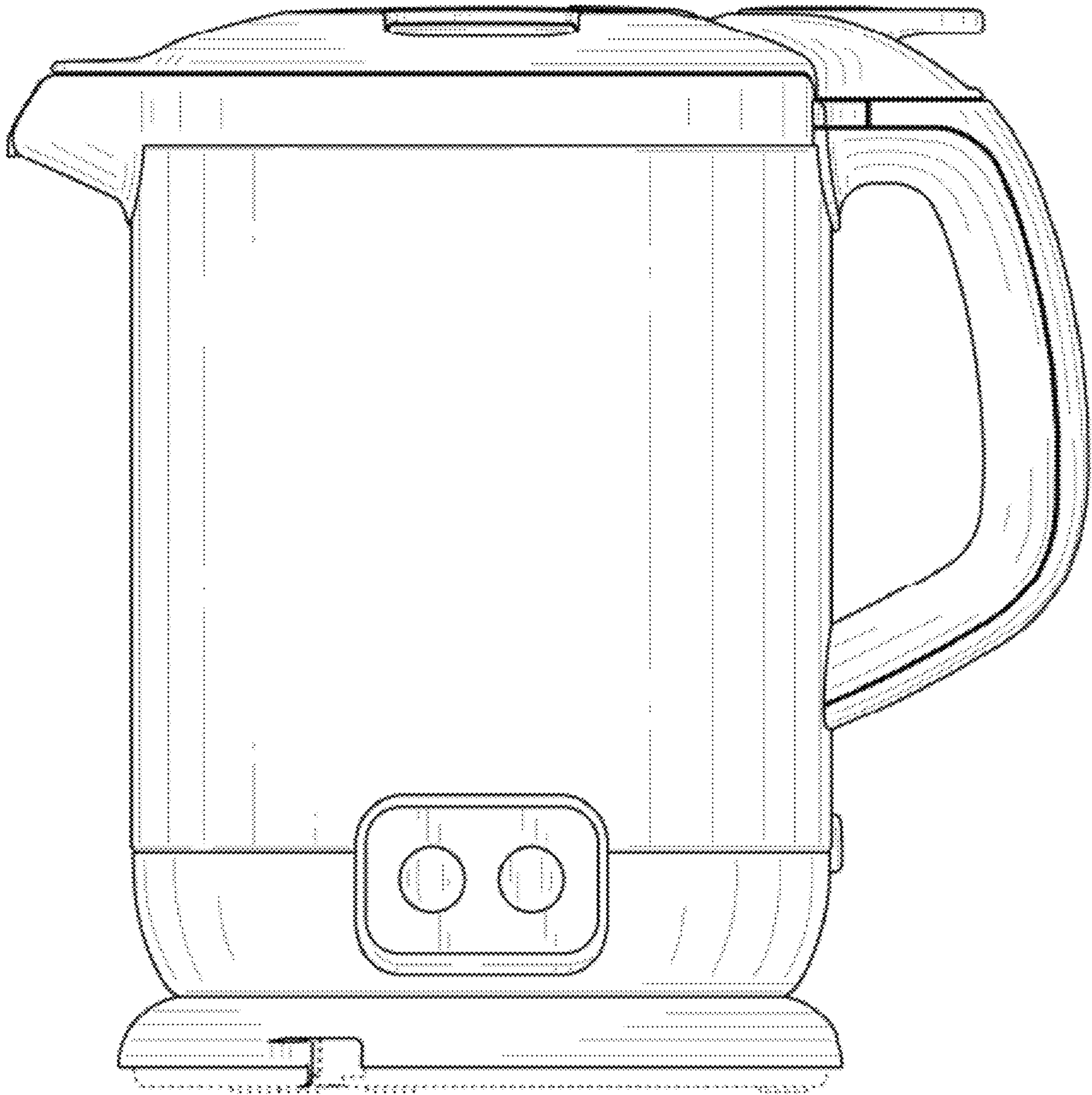


Fig. 3

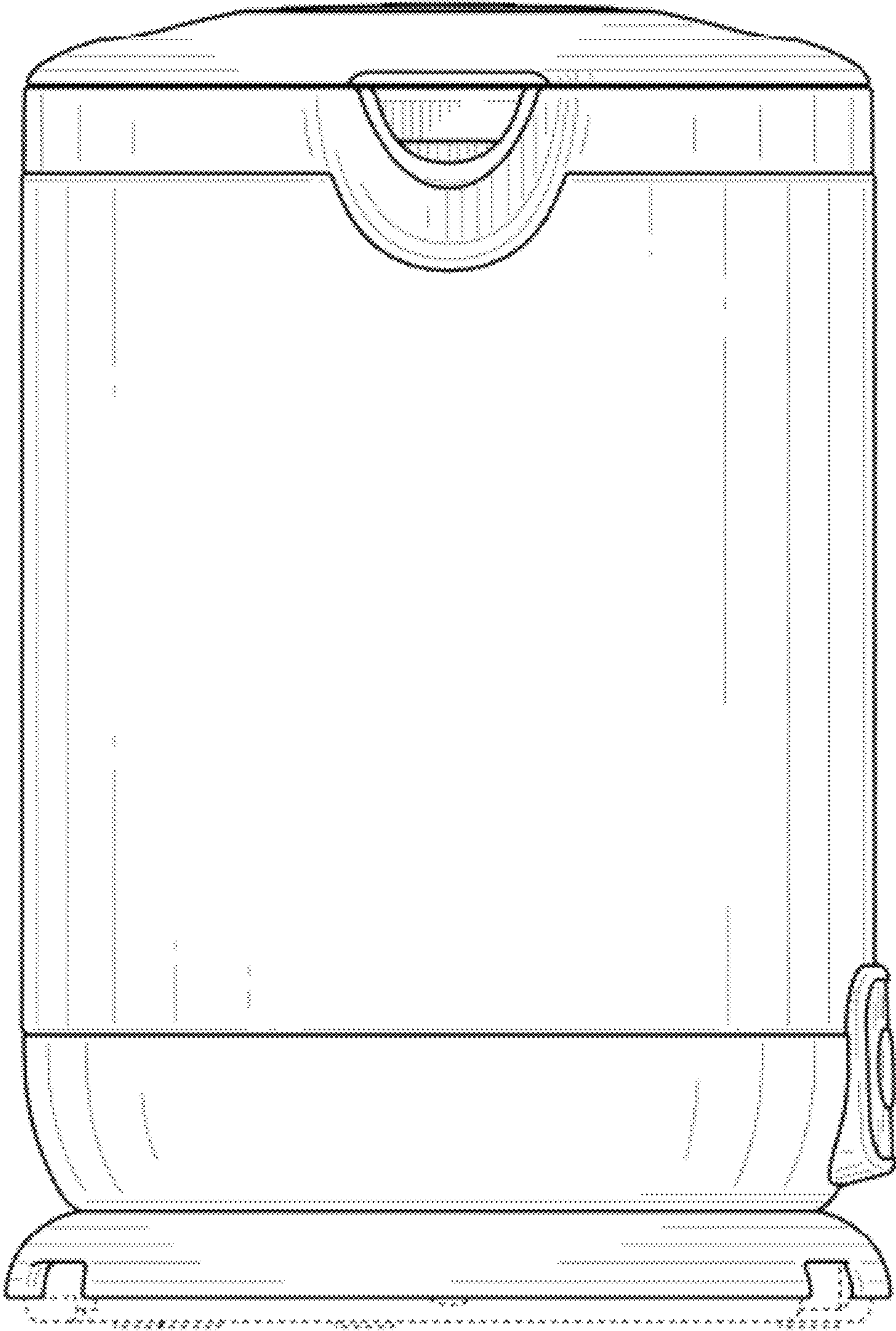


Fig. 4



Fig. 5

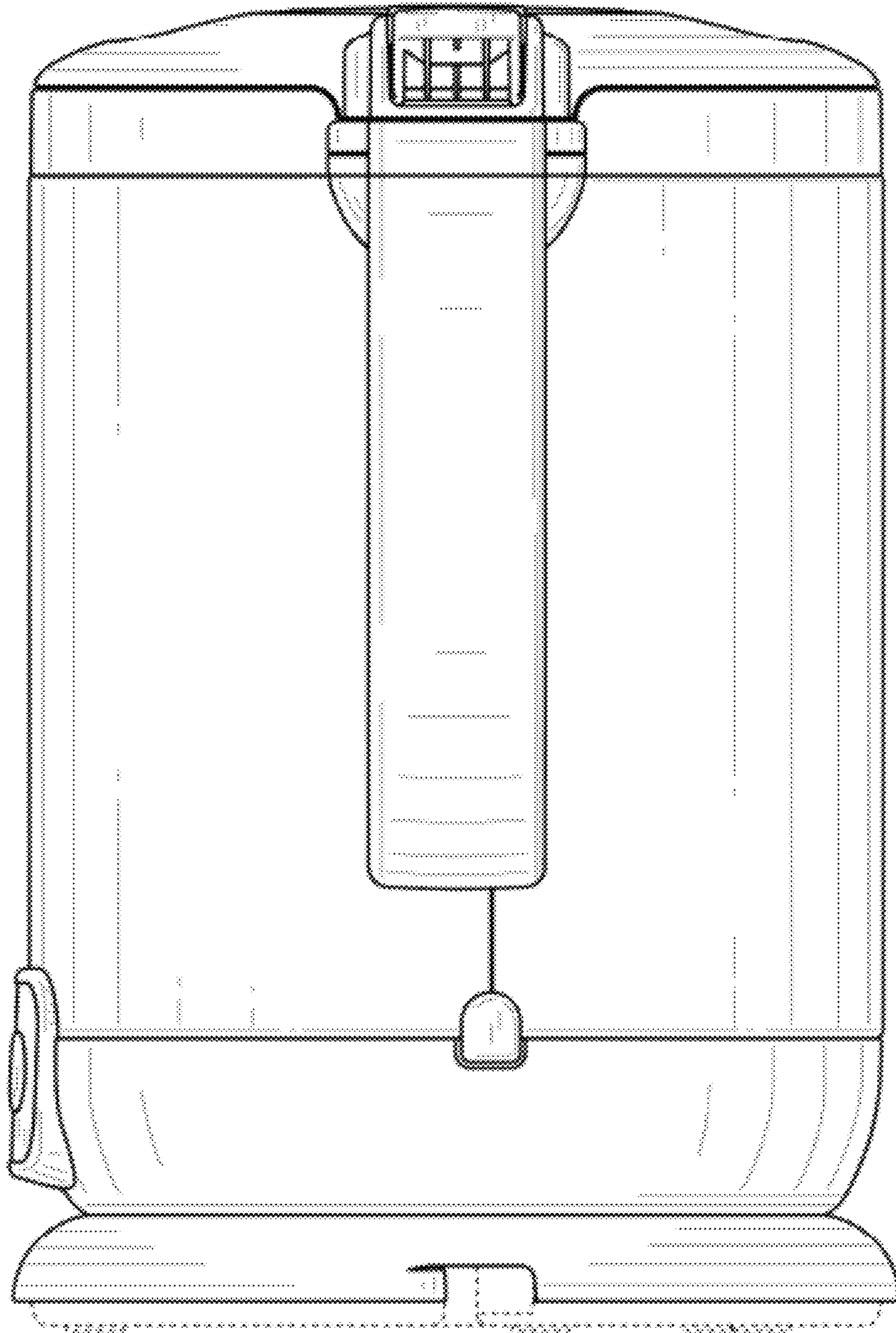


Fig. 6

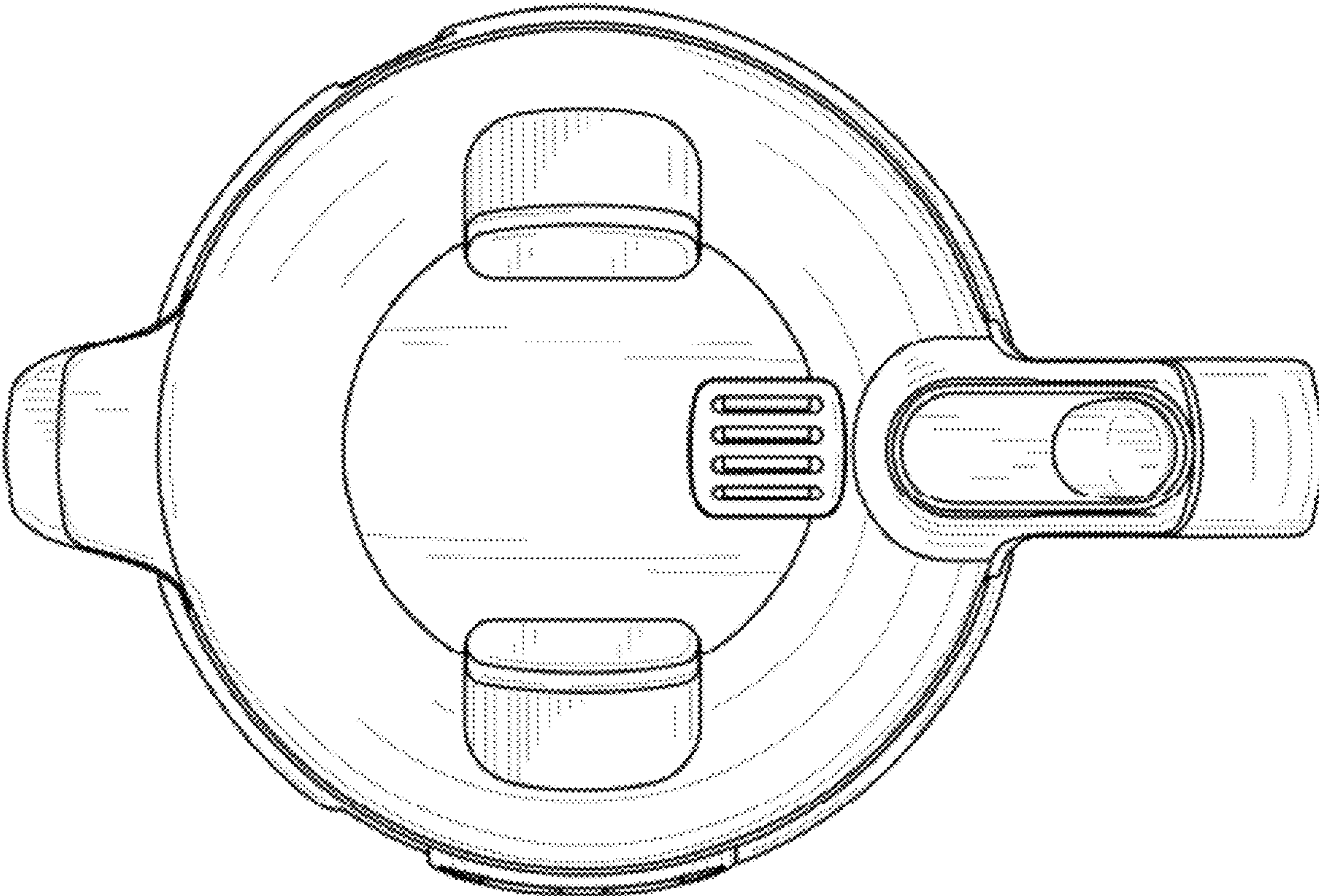


Fig. 7

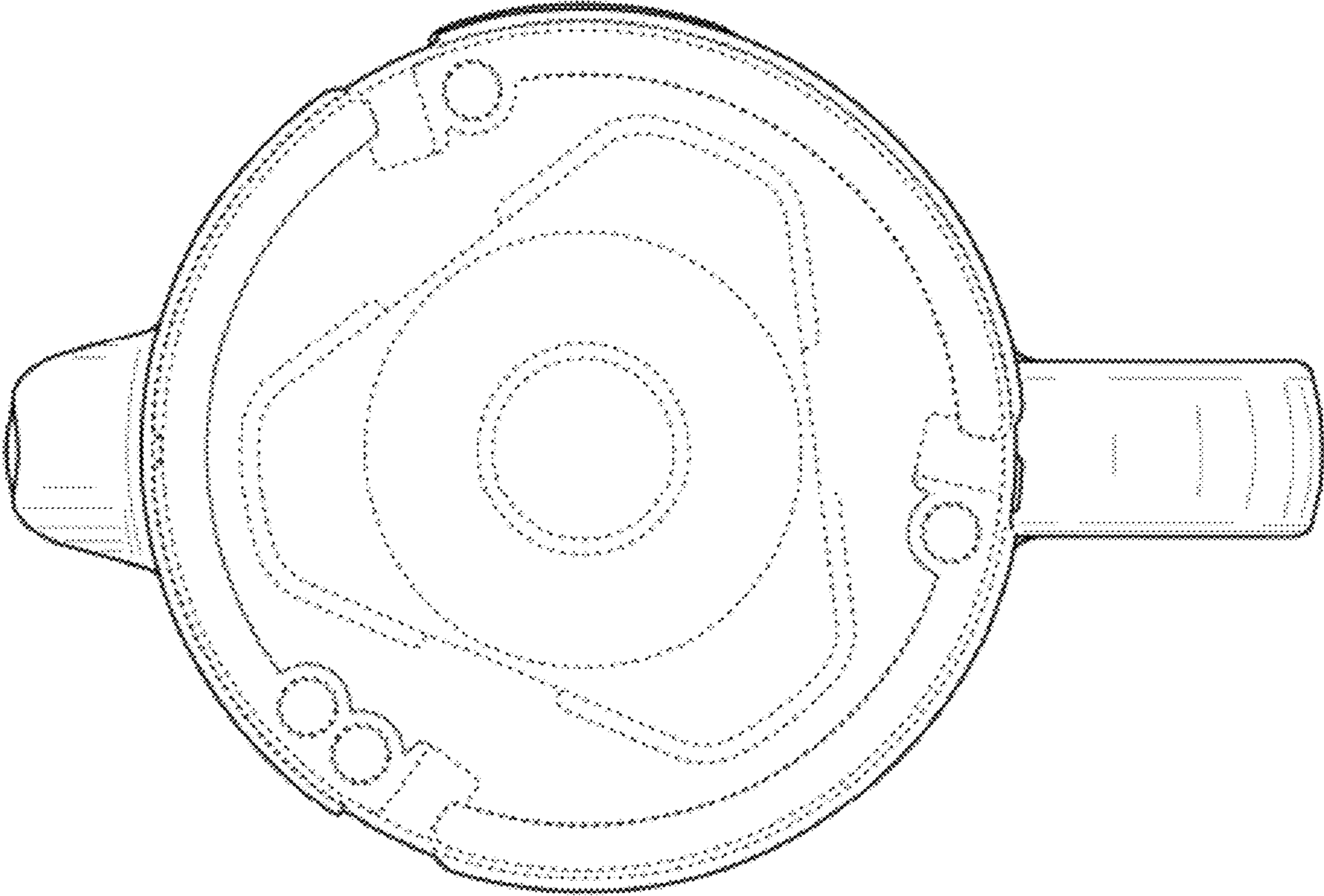


Fig. 8