



US00D658924S

(12) **United States Design Patent**
Sabadicci

(10) **Patent No.:** **US D658,924 S**

(45) **Date of Patent:** **** May 8, 2012**

(54) **CARAFE**

(75) **Inventor:** **Rio Sabadicci**, Rancho Santa Fe, CA
(US)

(73) **Assignee:** **Vinturi, Inc.**, Carlsbad, CA (US)

(**) **Term:** **14 Years**

(21) **Appl. No.:** **29/379,649**

(22) **Filed:** **Nov. 22, 2010**

(51) **LOC (9) Cl.** **07-01**

(52) **U.S. Cl.** **D7/316; D7/312; D7/509; D7/533**

(58) **Field of Classification Search** **D7/300.1,**
D7/523, 598, 316, 533, 509, 312, 317; D9/558;
D11/143; 220/669

See application file for complete search history.

D517,852 S *	3/2006	Jalet	D7/300
D519,320 S *	4/2006	Festa	D7/509
D550,033 S *	9/2007	Bodum	D7/509
D577,547 S *	9/2008	Willat et al.	D7/523
D597,791 S *	8/2009	Lion et al.	D7/523
D614,917 S *	5/2010	Calco	D7/509
D620,742 S *	8/2010	Lion et al.	D7/316
D625,562 S *	10/2010	McClellan et al.	D7/533
D649,827 S *	12/2011	Smiedt et al.	D7/319
2006/0249518 A1 *	11/2006	Festa	220/669

* cited by examiner

Primary Examiner — Marianne Pandozzi

(74) *Attorney, Agent, or Firm* — Gailman Clark & Hunter
LLC

(57) **CLAIM**

The ornamental design for a carafe, as shown and described.

(56) **References Cited**

U.S. PATENT DOCUMENTS

D211,536 S *	6/1968	Anderson	D7/317
D213,331 S *	2/1969	Yutzey	D7/316
D219,529 S *	12/1970	Uhrmann	D7/523
D280,061 S *	8/1985	Mugglin	D7/316
D282,232 S *	1/1986	Bussell	D7/509
4,712,698 A *	12/1987	Greenberg	215/398
D295,145 S *	4/1988	Jeanjean	D7/300
D300,107 S *	3/1989	Trombly	D7/317
5,090,213 A *	2/1992	Glassman	62/457.3
D362,583 S *	9/1995	Weber et al.	D7/321
D406,985 S *	3/1999	Trombly	D7/536
D439,789 S *	4/2001	Kaposi et al.	D7/316
D499,298 S *	12/2004	Bodum	D7/319
D504,049 S *	4/2005	Morano et al.	D7/534
D505,591 S *	5/2005	Bodum	D7/507

DESCRIPTION

FIG. 1 is a perspective view of a carafe showing my new design;

FIG. 2 is a front elevational view thereof;

FIG. 3 is a rear elevational view;

FIG. 4 is a left side elevational view thereof;

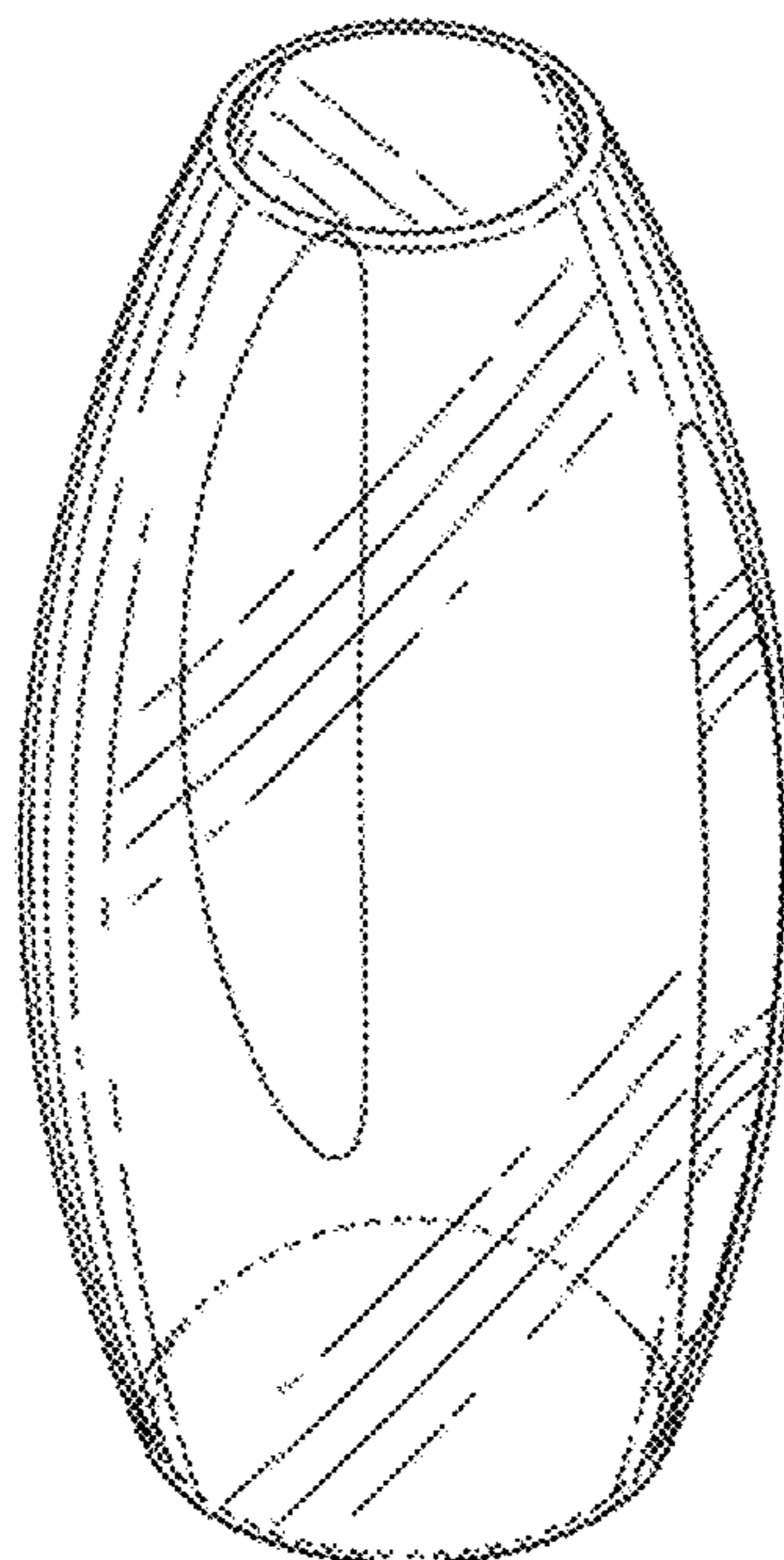
FIG. 5 is a left side elevational view thereof;

FIG. 6 is a bottom plan view thereof; and,

FIG. 7 is a top plan view thereof.

The broken line showing of a dome at the bottom of the carafe is included for the purpose of illustrating an example bottom surface of the carafe and forms no part of the claimed design.

1 Claim, 4 Drawing Sheets



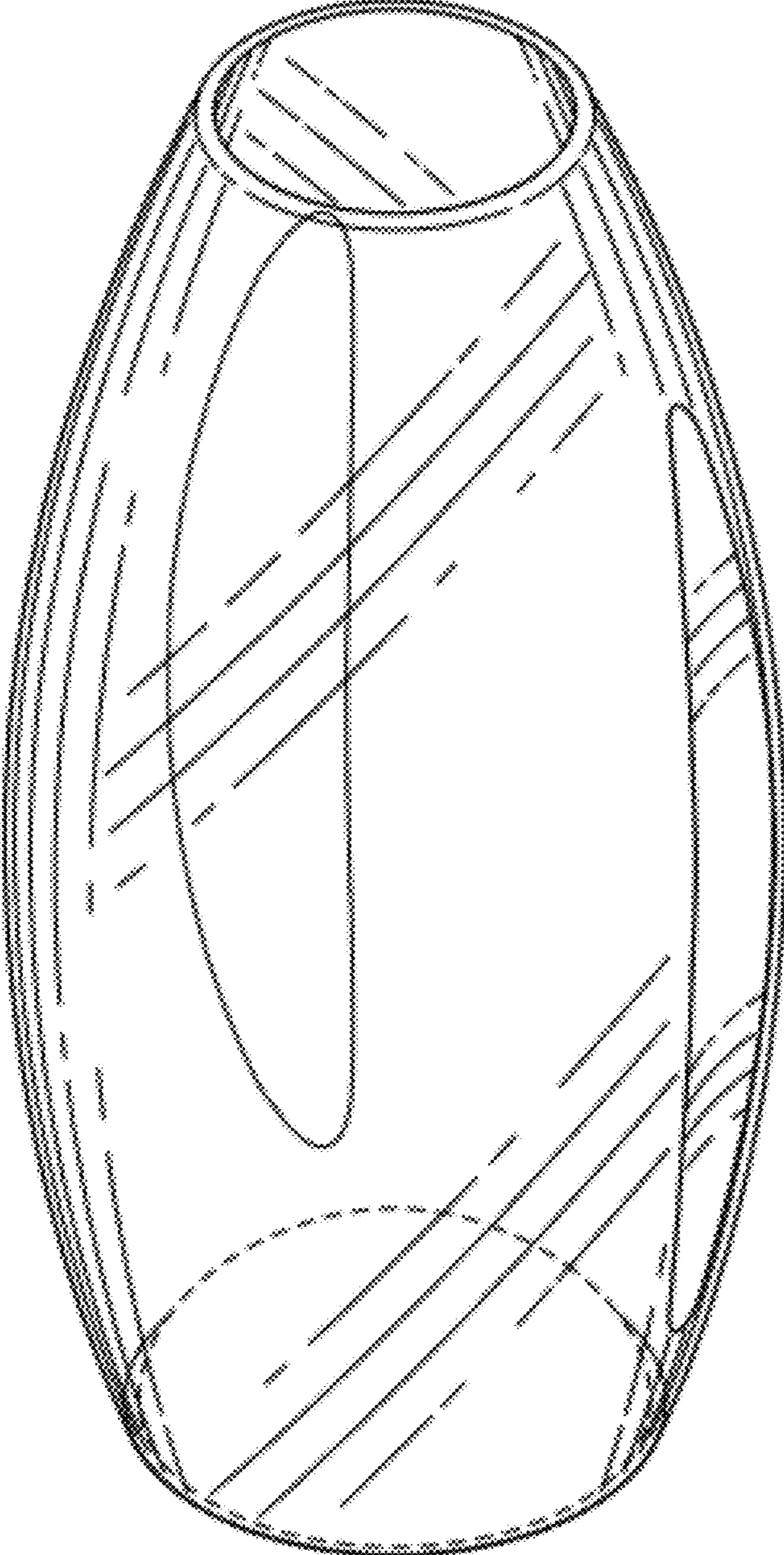


FIG. 1

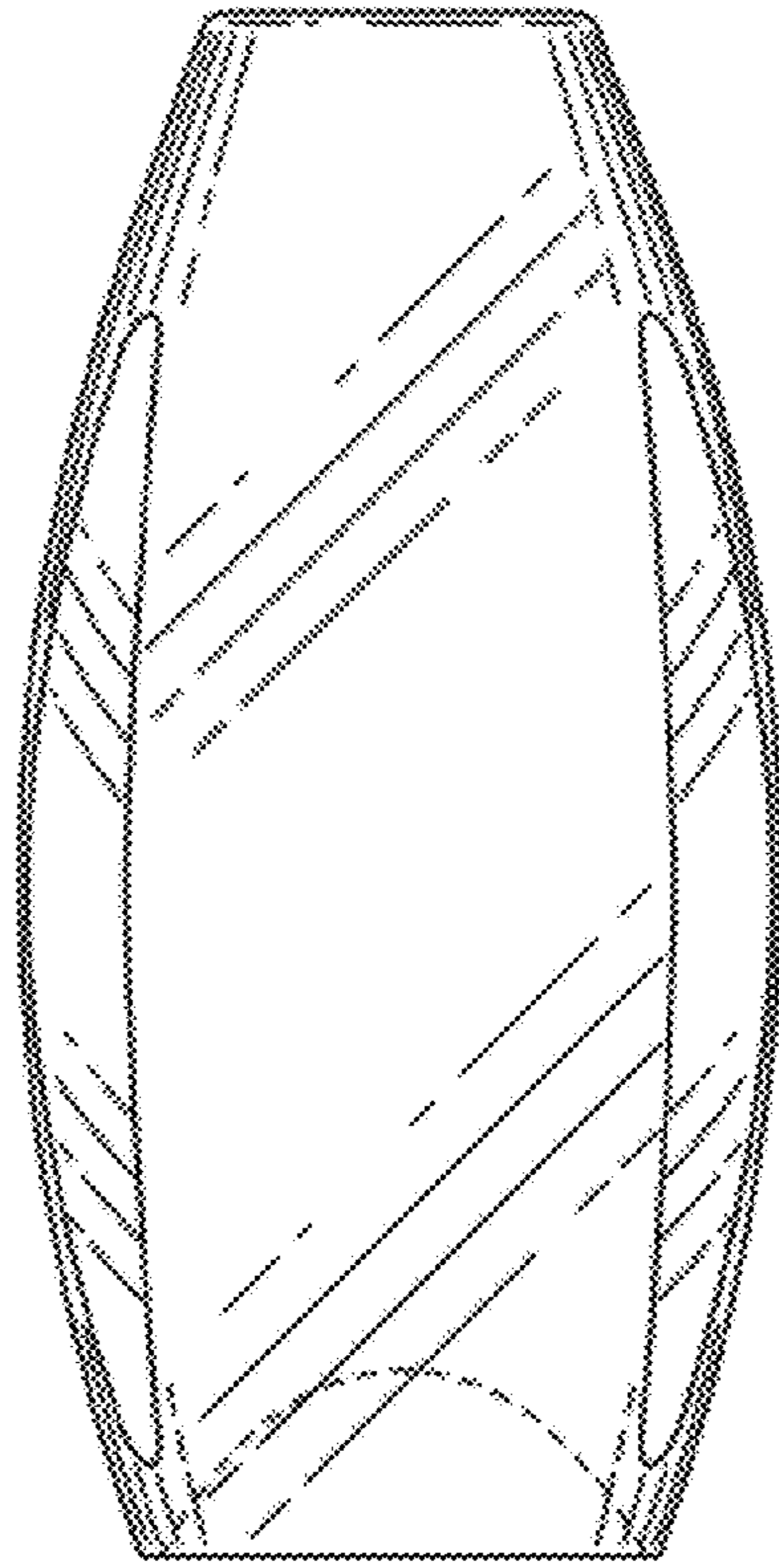


FIG. 2

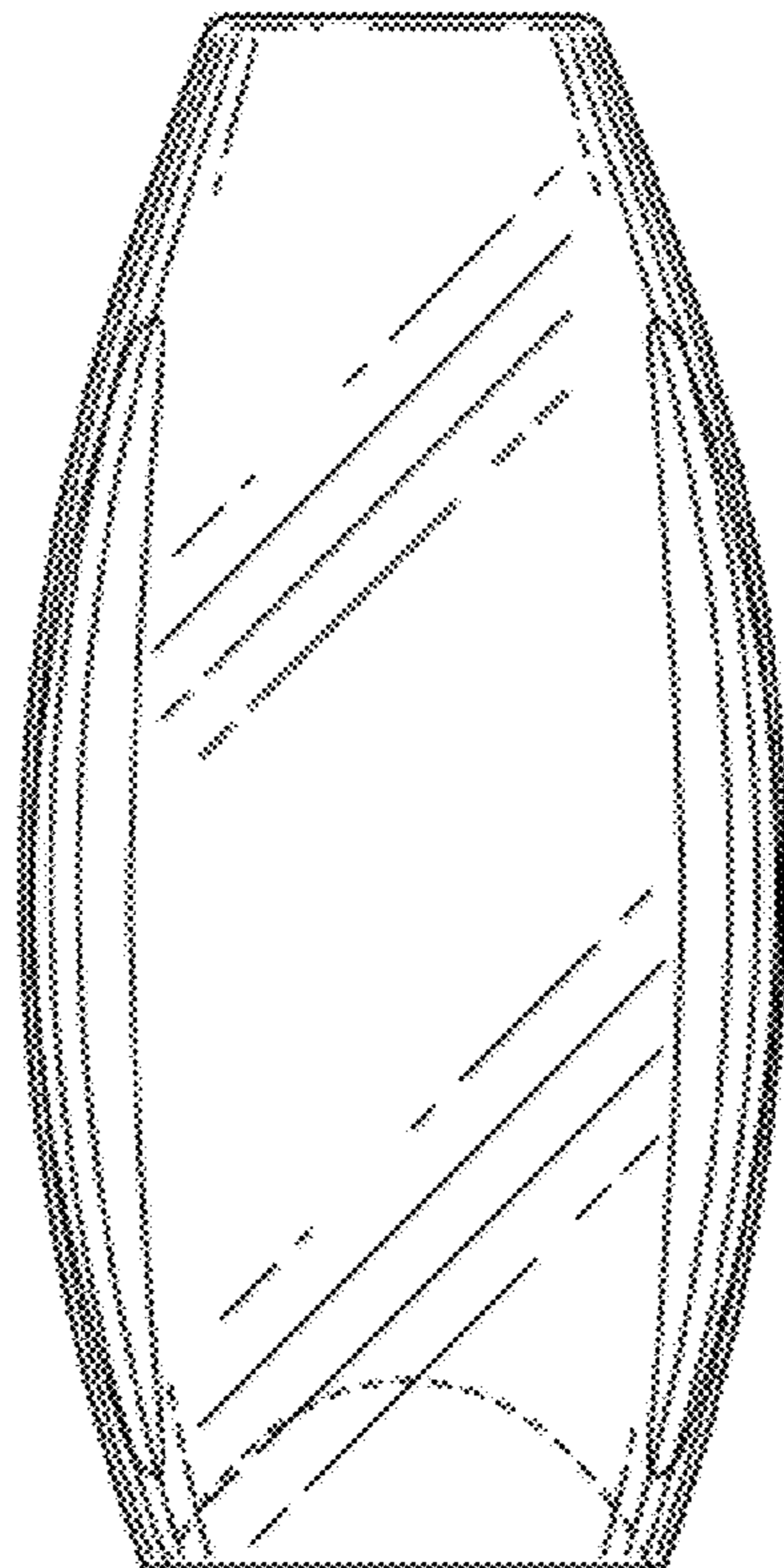


FIG. 3

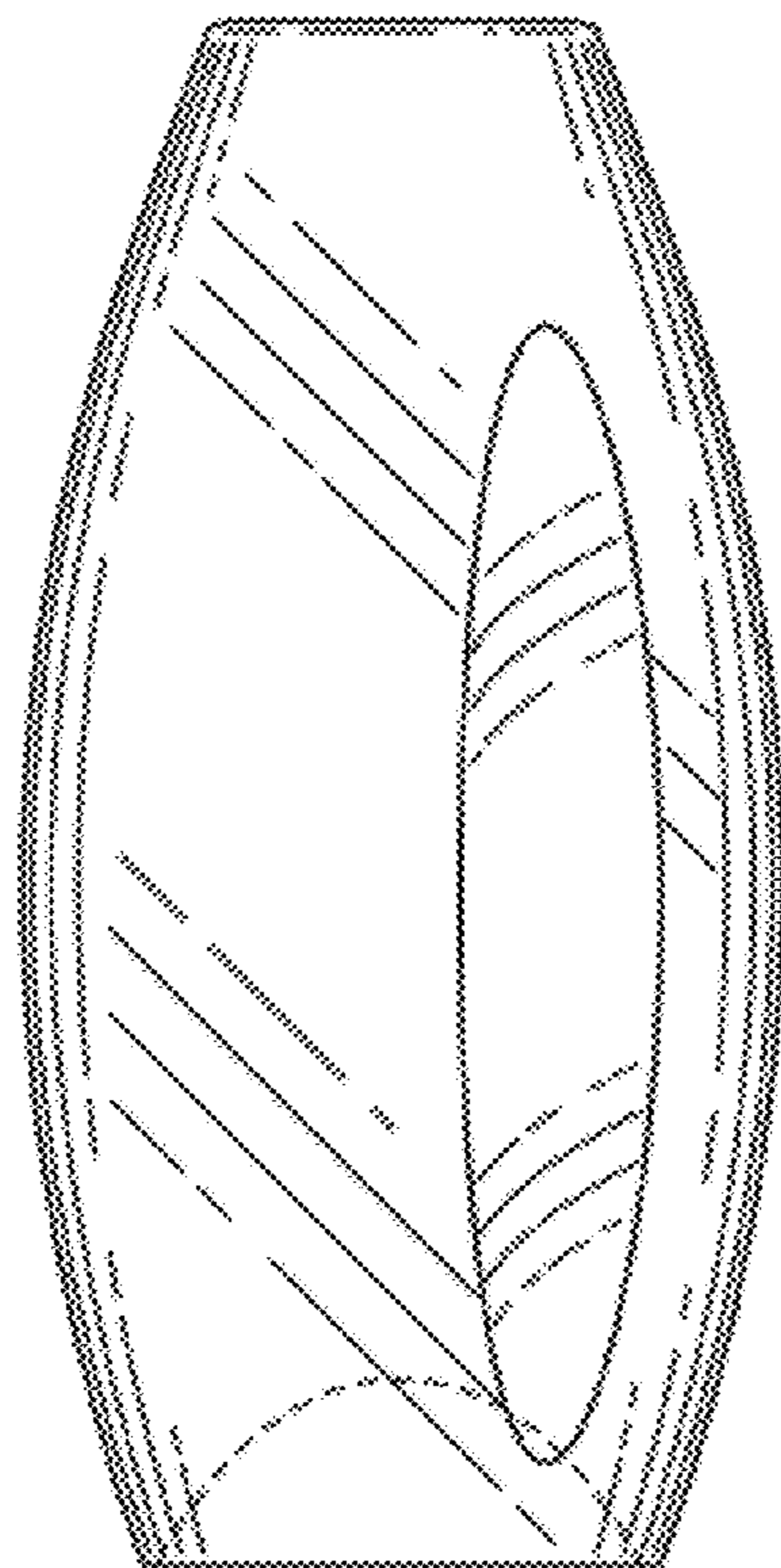


FIG. 4

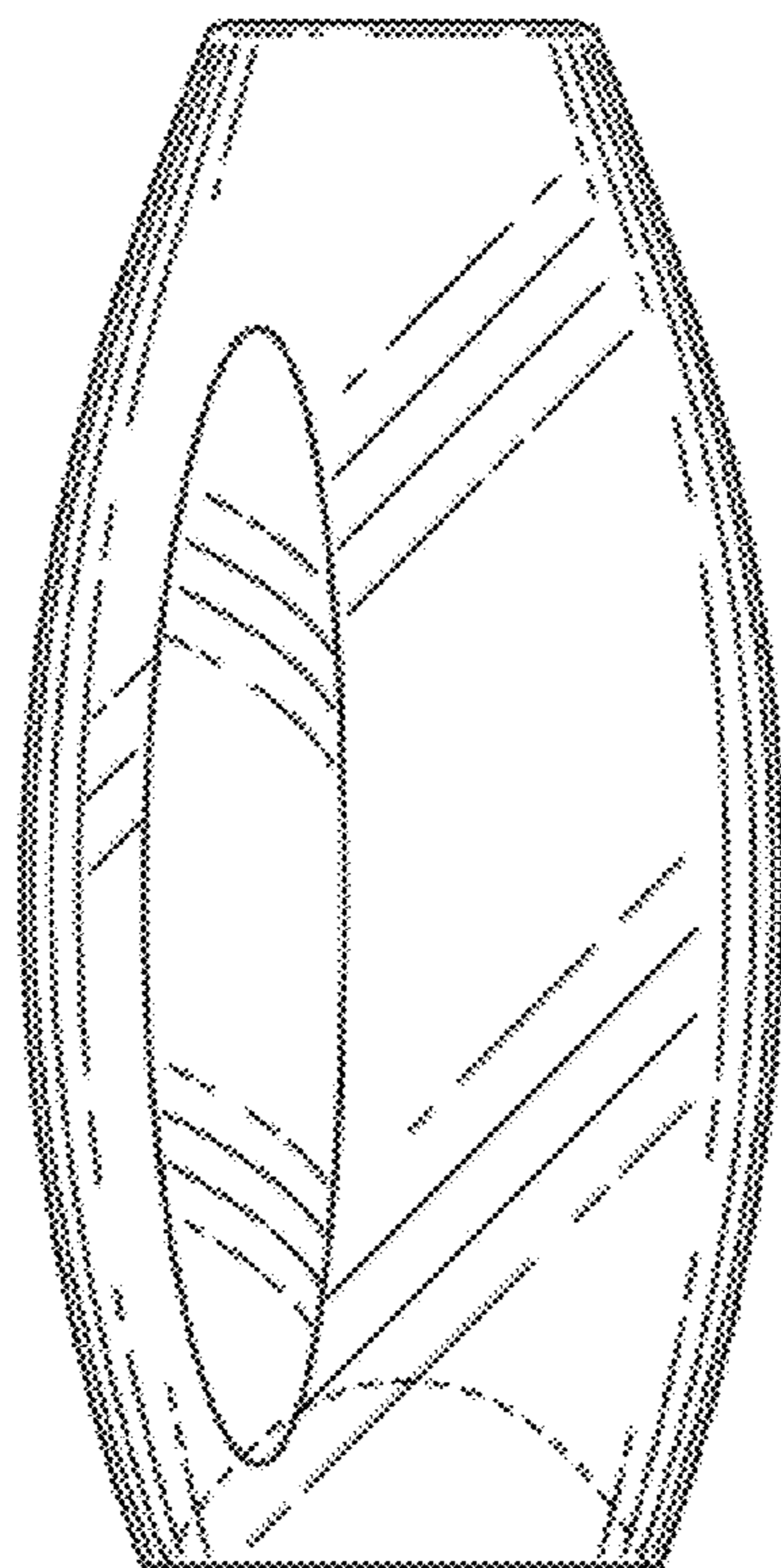


FIG. 5

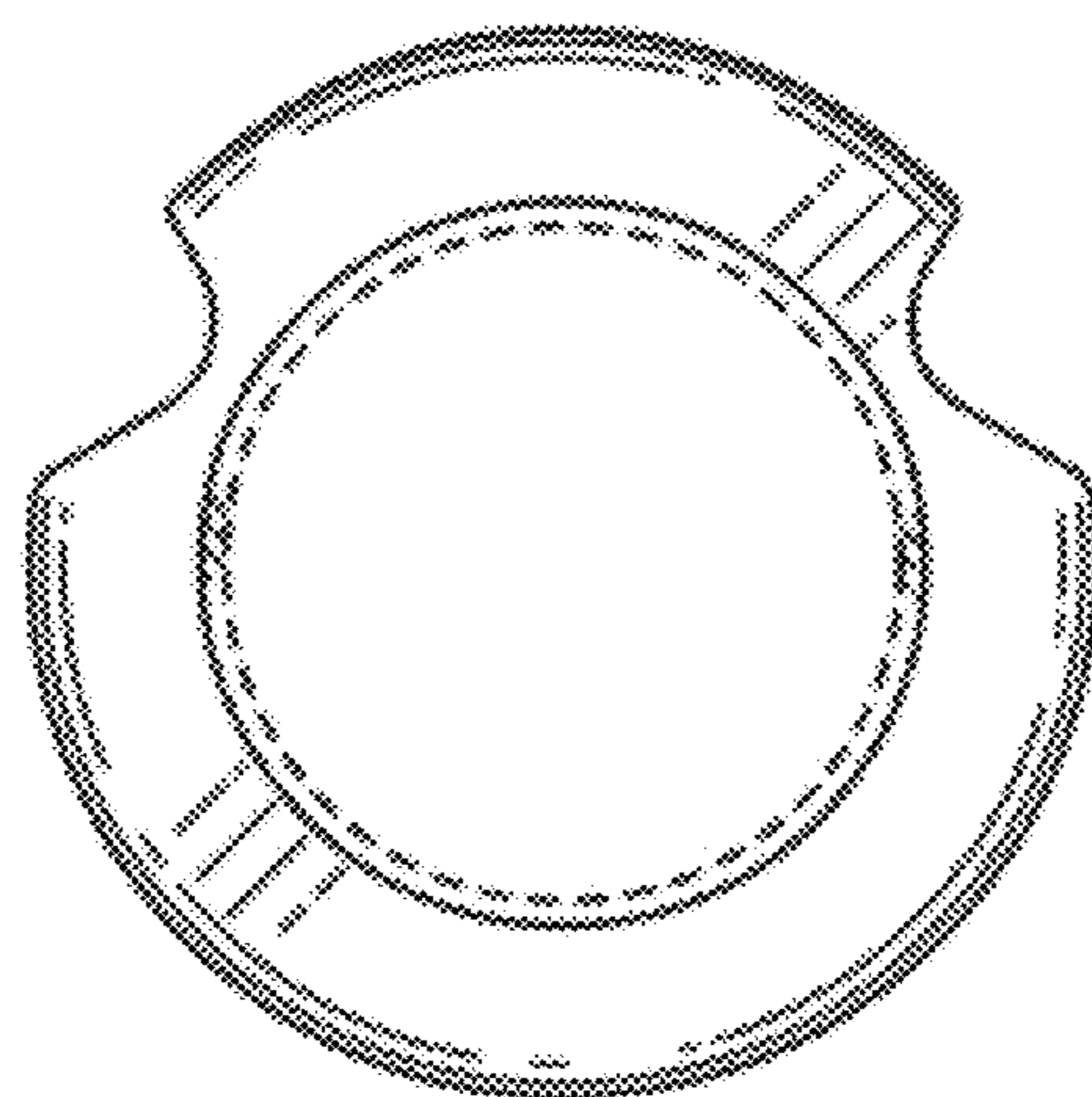


FIG. 6

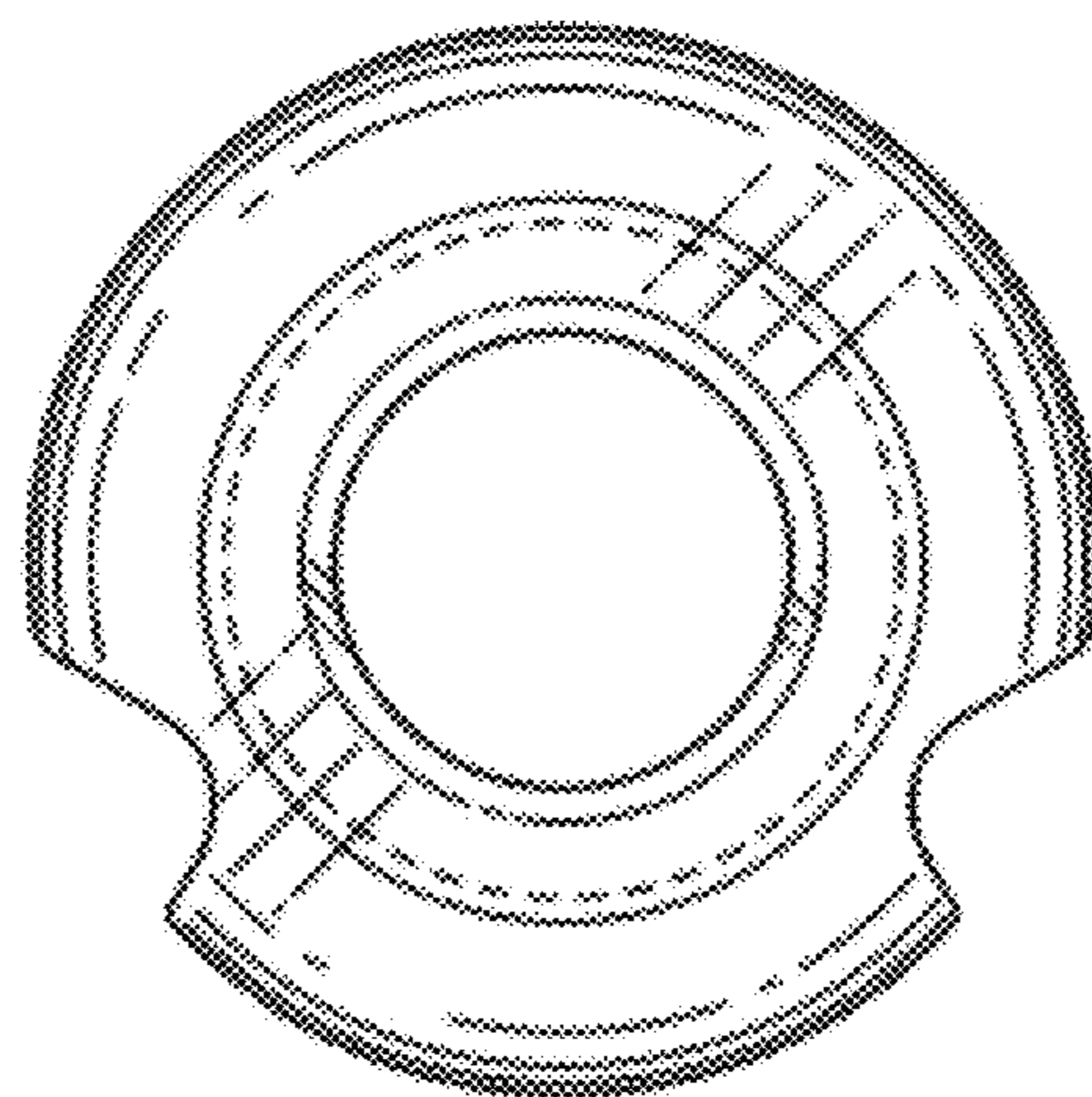


FIG. 7