



US00D658922S

(12) **United States Design Patent**
Fallon et al.

(10) **Patent No.:** **US D658,922 S**

(45) **Date of Patent:** **** May 8, 2012**

(54) **VESSEL**

(75) Inventors: **Barry Fallon**, Birmingham (GB); **Paul Hanniffy**, Birmingham (GB)

(73) Assignee: **Manitowoc Beverage Systems Ltd**,
West Midlands (GB)

(**) Term: **14 Years**

(21) Appl. No.: **29/356,558**

(22) Filed: **Feb. 26, 2010**

(51) **LOC (9) Cl.** **31-00**

(52) **U.S. Cl.** **D7/300; D7/509**

(58) **Field of Classification Search** D7/510,
D7/505, 509, 624.2, 511, 523, 525, 619.1,
D7/396.2, 900, 608, 507, 624.1, 300, 387,
D7/305; D9/716, 719, 515, 500, 549, 502,
D9/504, 509, 529; 220/592.16, 592.17, 592.24,
220/737, 718, 739, 715, 288; 215/12.1; 219/387,
219/429; 229/403, 738, 739; 206/459.1;
222/153.07, 542, 146.6, 608; 62/400

See application file for complete search history.

(56) **References Cited**

U.S. PATENT DOCUMENTS

D205,825 S *	9/1966	Cornelius	D7/300
D229,530 S *	12/1973	Simpson, Jr.	D7/300
D242,834 S *	12/1976	Little	D7/313
D272,308 S *	1/1984	Schlessel	D7/400
D332,891 S *	2/1993	Cumberland	D7/619.1
D435,906 S *	1/2001	Wilkinson et al.	D24/121
D513,939 S *	1/2006	Leonzo	D7/624.1

D560,873 S *	1/2008	Brans	D34/39
D567,021 S *	4/2008	Bach et al.	D7/400
D587,524 S *	3/2009	Allen et al.	D7/398
D595,539 S *	7/2009	Starck	D7/509
D634,167 S *	3/2011	Foster	D7/700
D637,442 S *	5/2011	Fallon et al.	D7/300

* cited by examiner

Primary Examiner — Cynthia Underwood

(74) *Attorney, Agent, or Firm* — Ohlandt, Greeley, Ruggiero & Perle, L.L.P.

(57) **CLAIM**

The ornamental design for a vessel, as shown and described.

DESCRIPTION

FIG. 1 is a top perspective view of a vessel of the present disclosure;

FIG. 2 is a bottom perspective view of the vessel of FIG. 1;

FIG. 3 is a first side view of the vessel of FIG. 1;

FIG. 4 is a second side view of the vessel of FIG. 1;

FIG. 5 is a third side view of the vessel of FIG. 1;

FIG. 6 is a fourth side view of the vessel of FIG. 1;

FIG. 7 is a top view of the vessel of FIG. 1;

FIG. 8 is a bottom view of the vessel of FIG. 1;

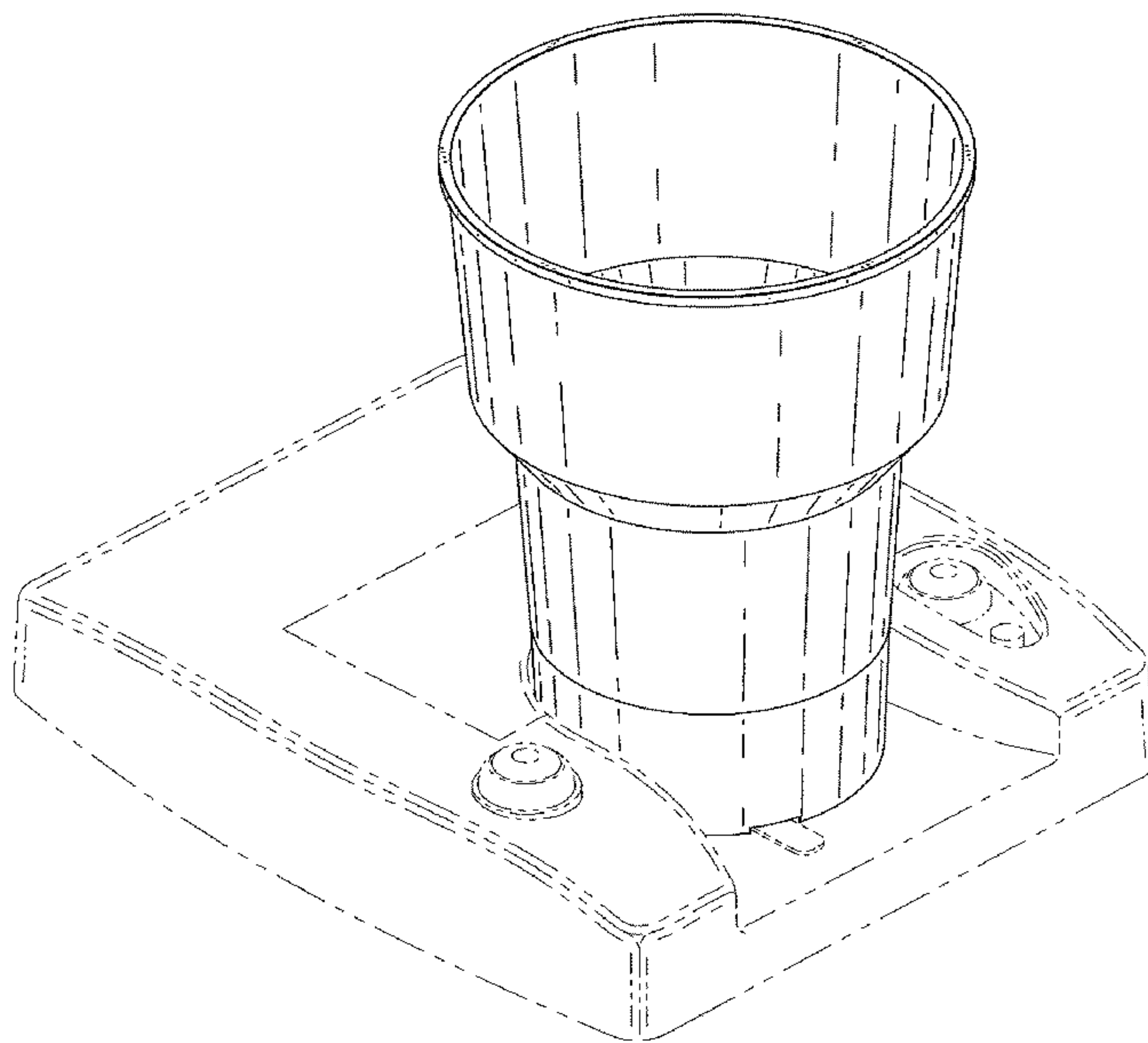
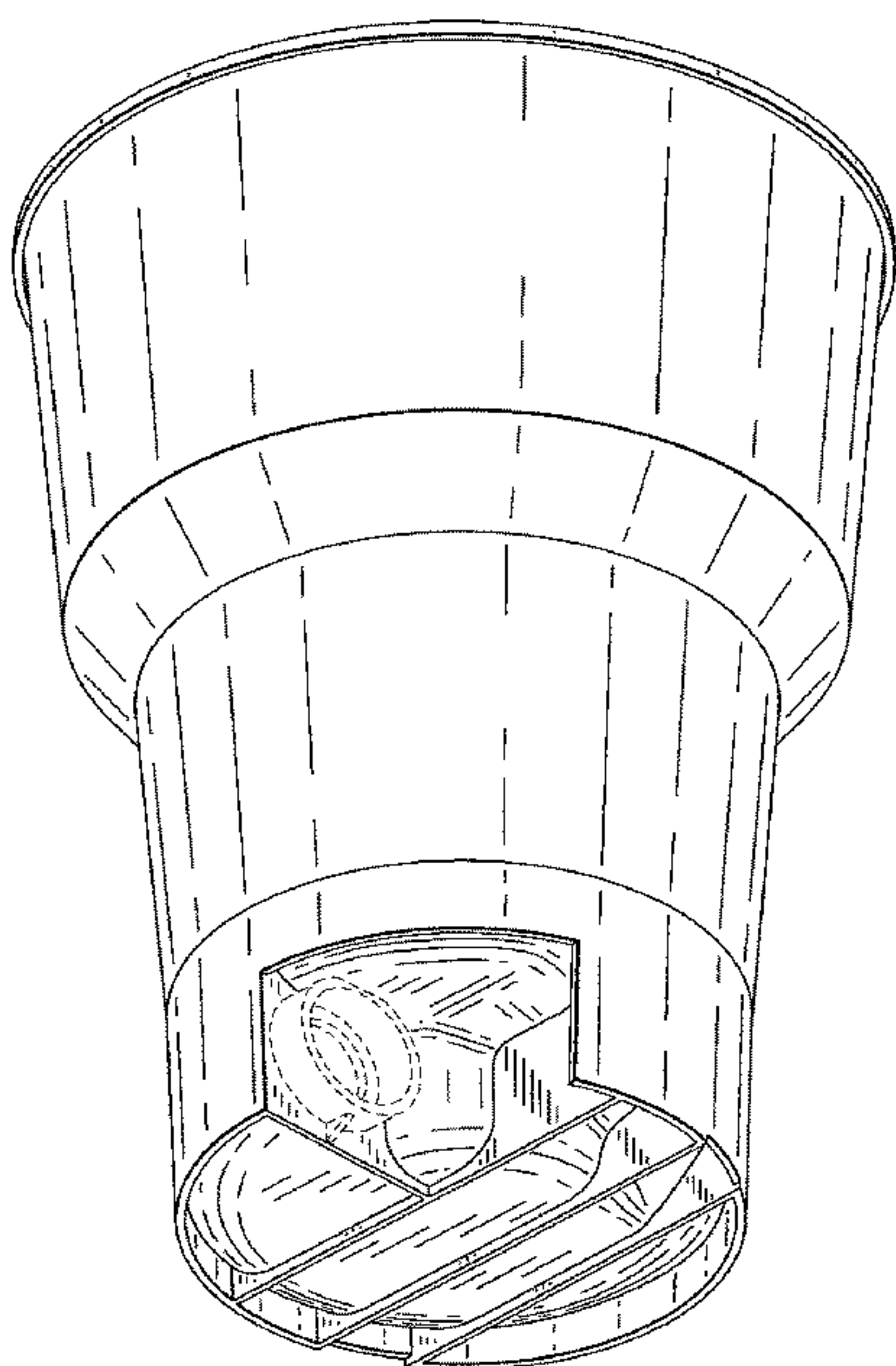
FIG. 9 is a front view of a cross section taken along line 9-9 of the vessel of FIG. 7;

FIG. 10 is a perspective view of a cross section taken along line 10-10 of the vessel of FIG. 7; and,

FIG. 11 is a perspective view of the vessel of FIG. 1 shown in use.

The broken lines in the drawings illustrating environmental structure or boundaries is for illustrative purposes only and forms no part of the claimed design.

1 Claim, 10 Drawing Sheets



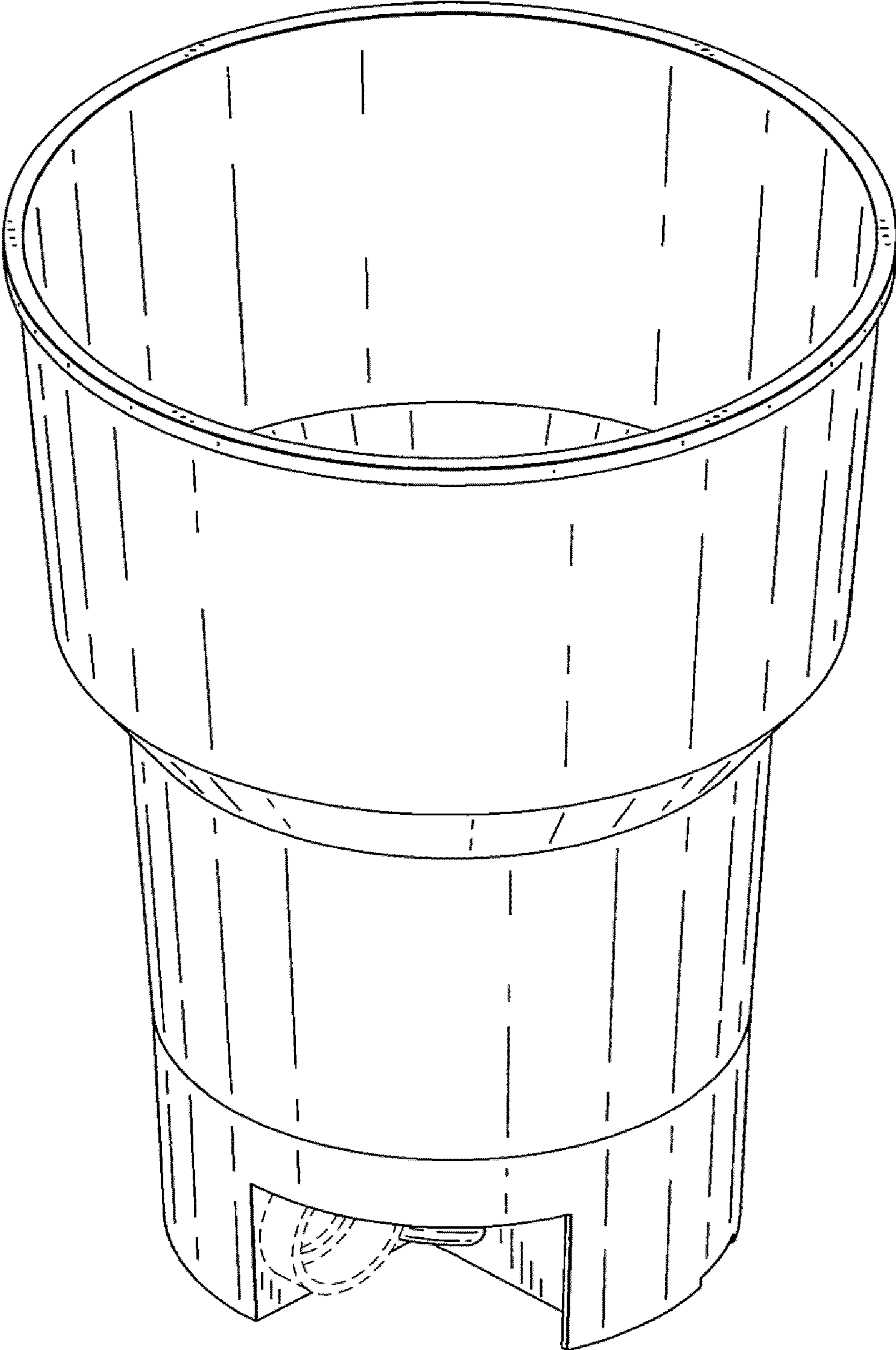


FIG. 1

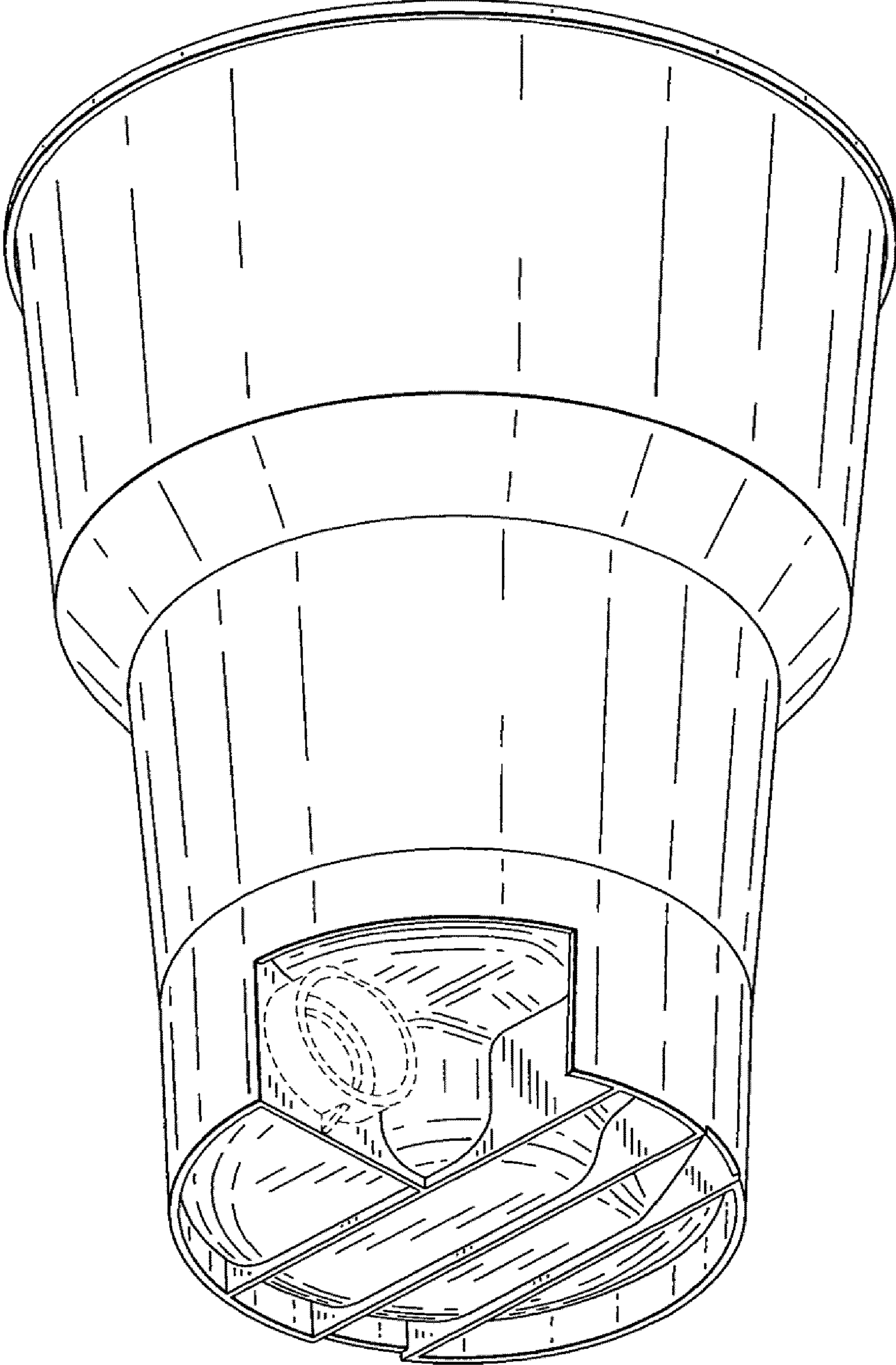


FIG. 2

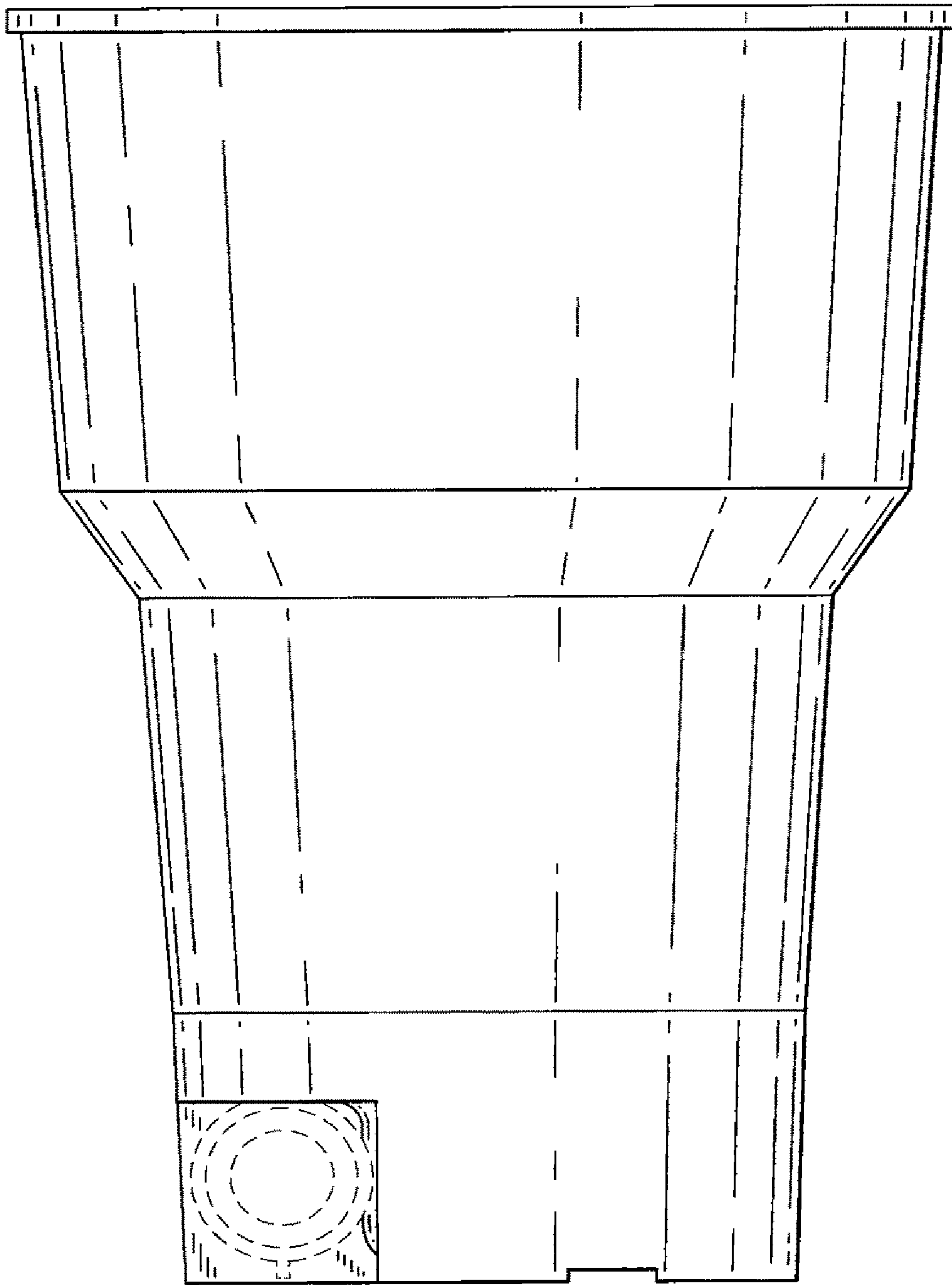


FIG. 3

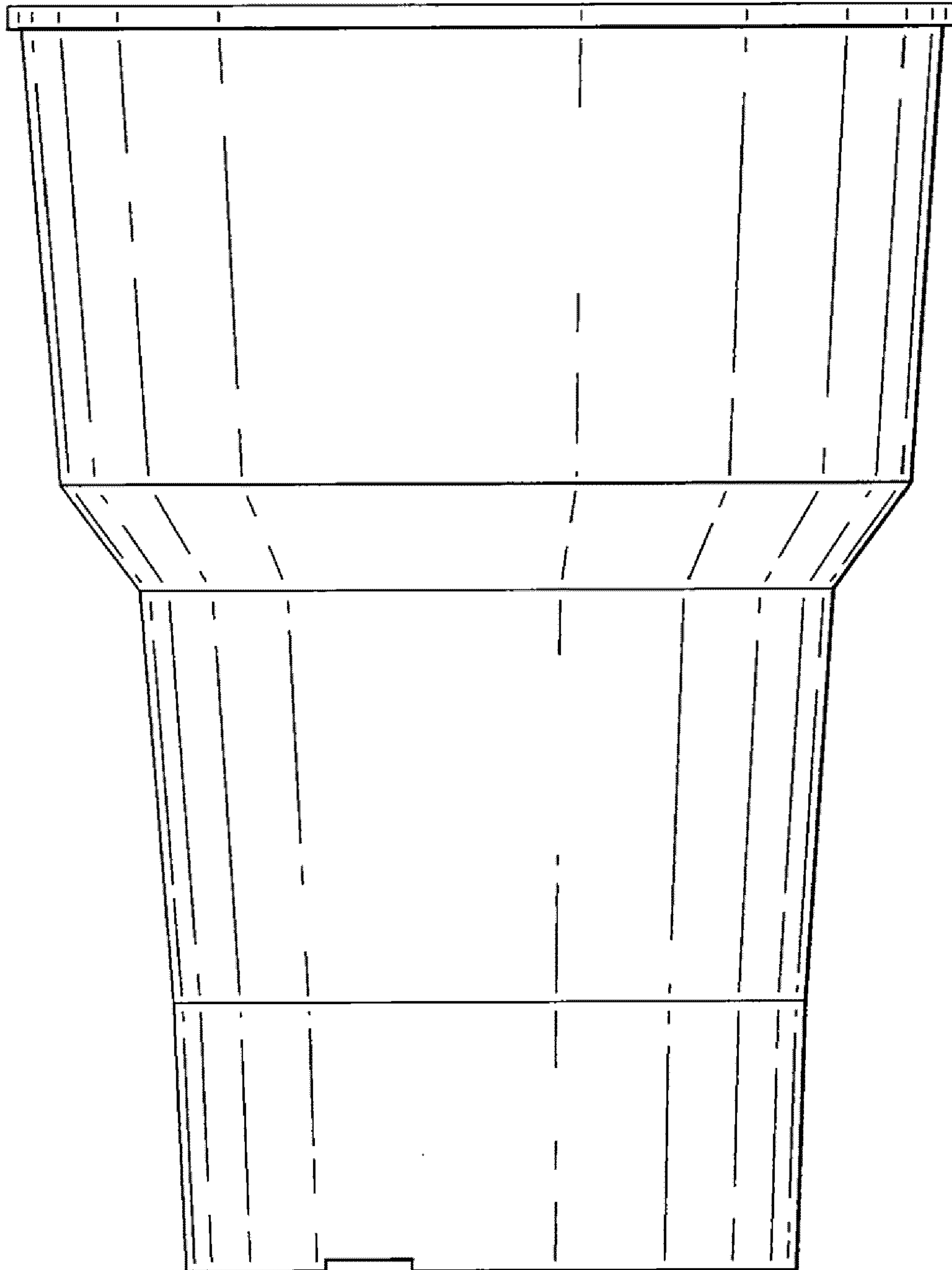


FIG. 4

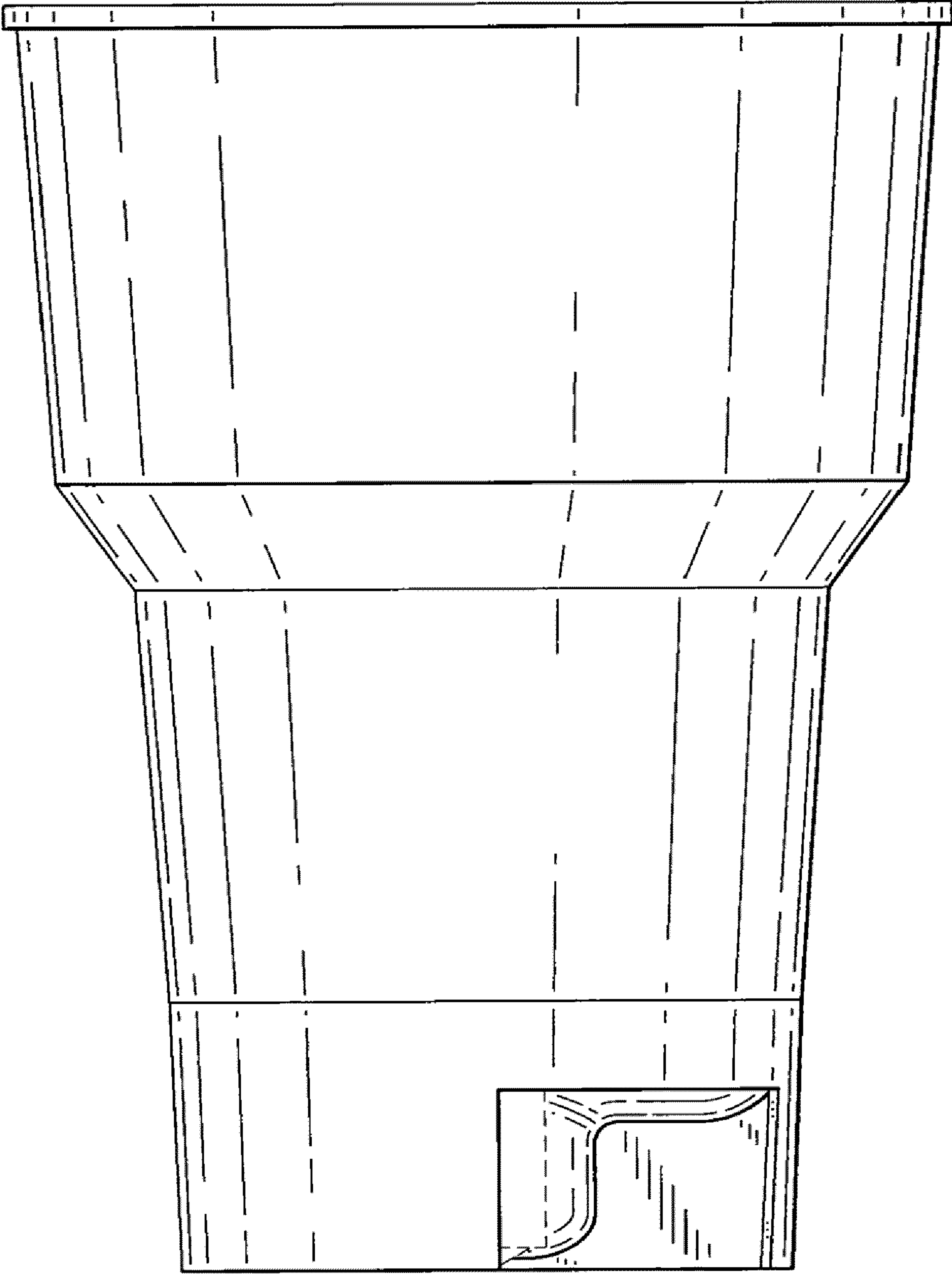


FIG. 5

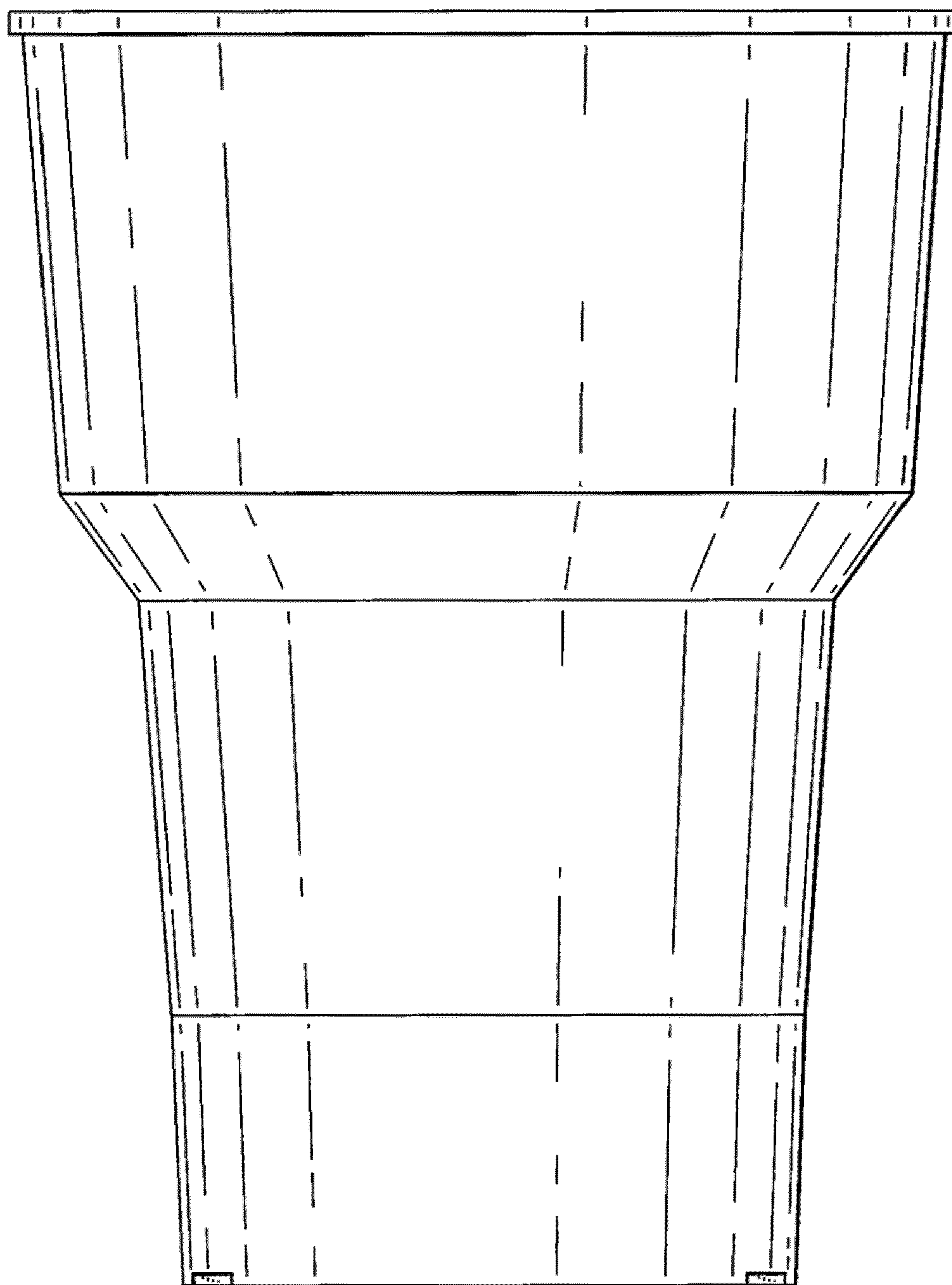


FIG. 6

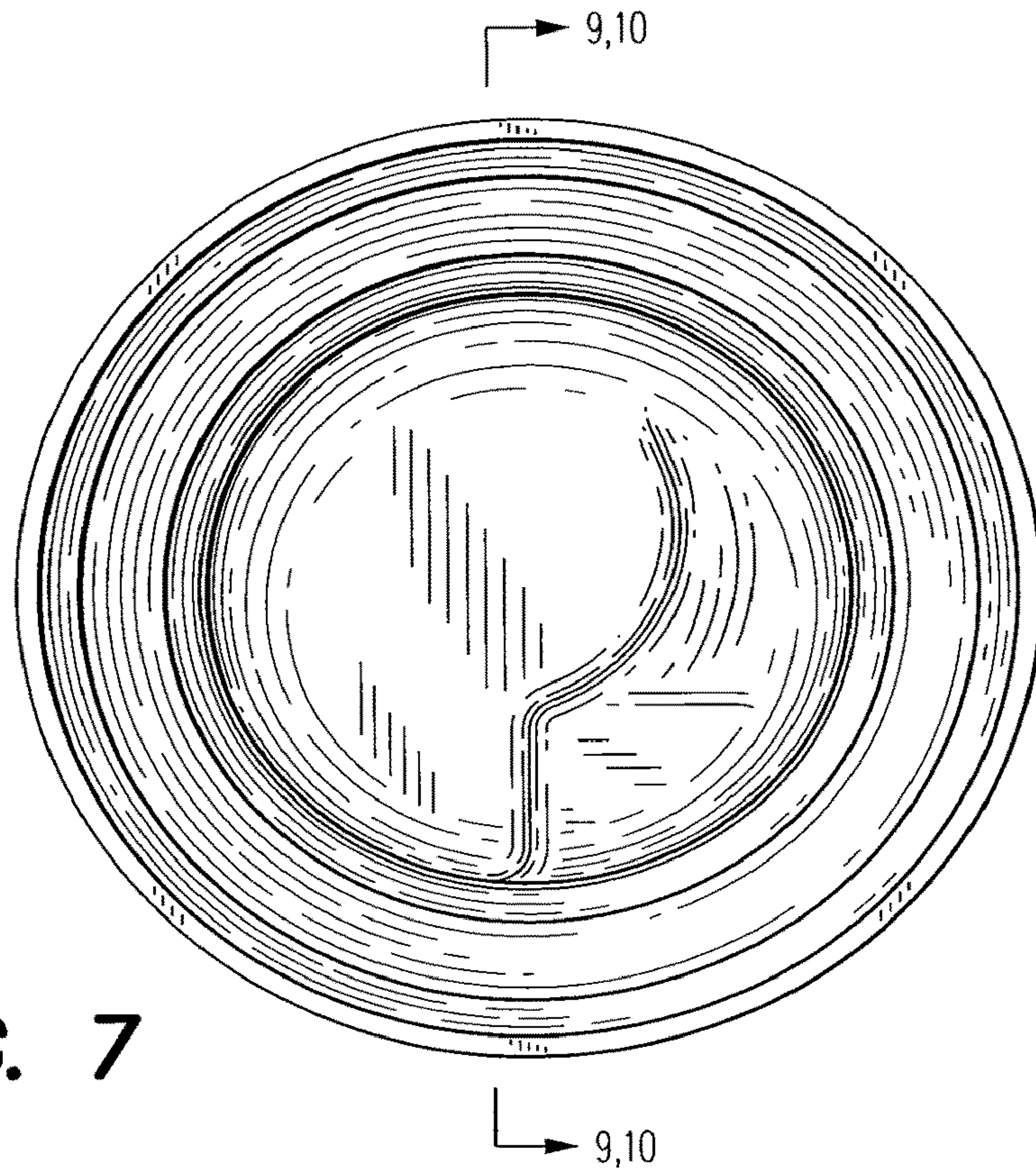


FIG. 7

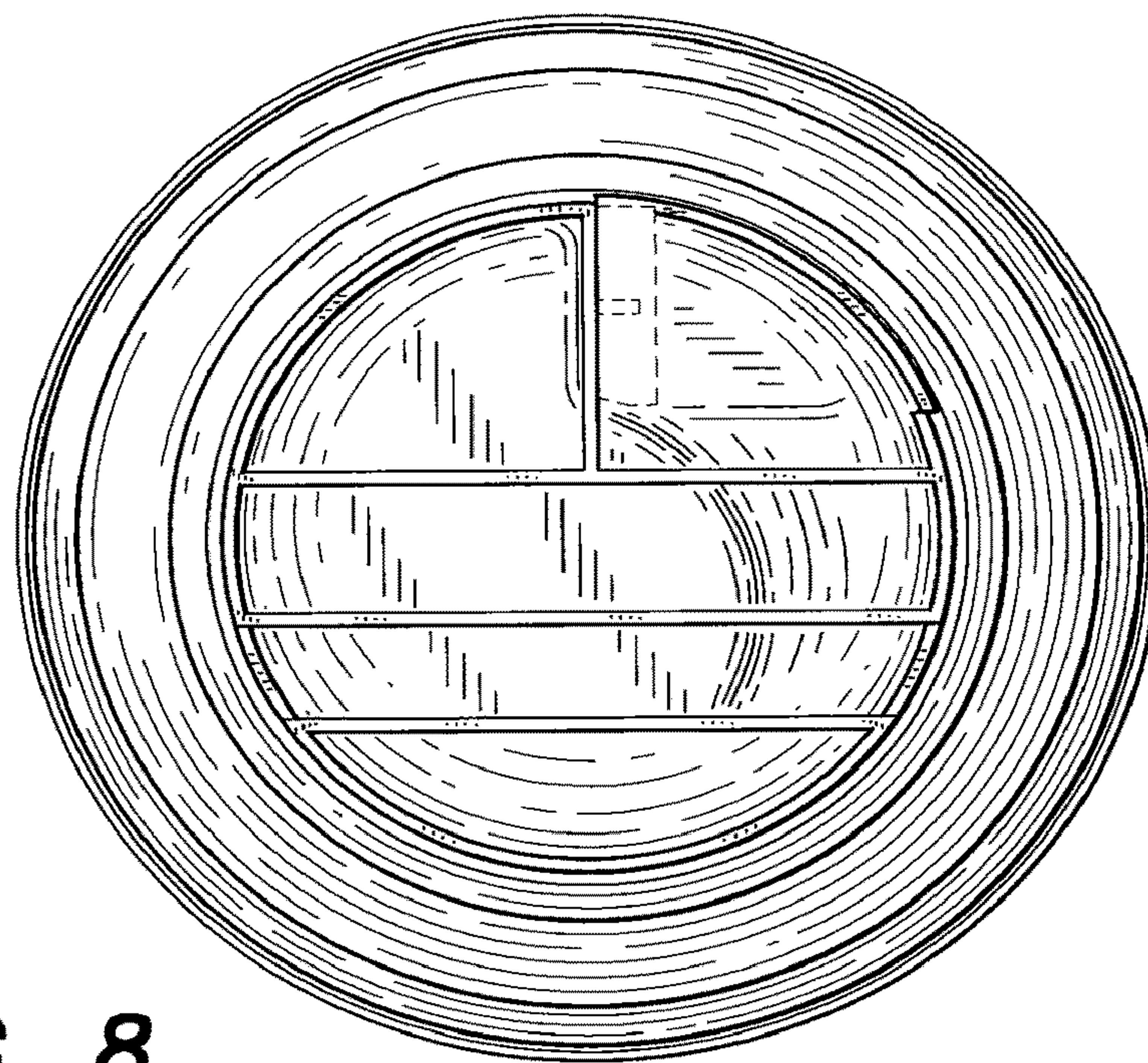


FIG. 8

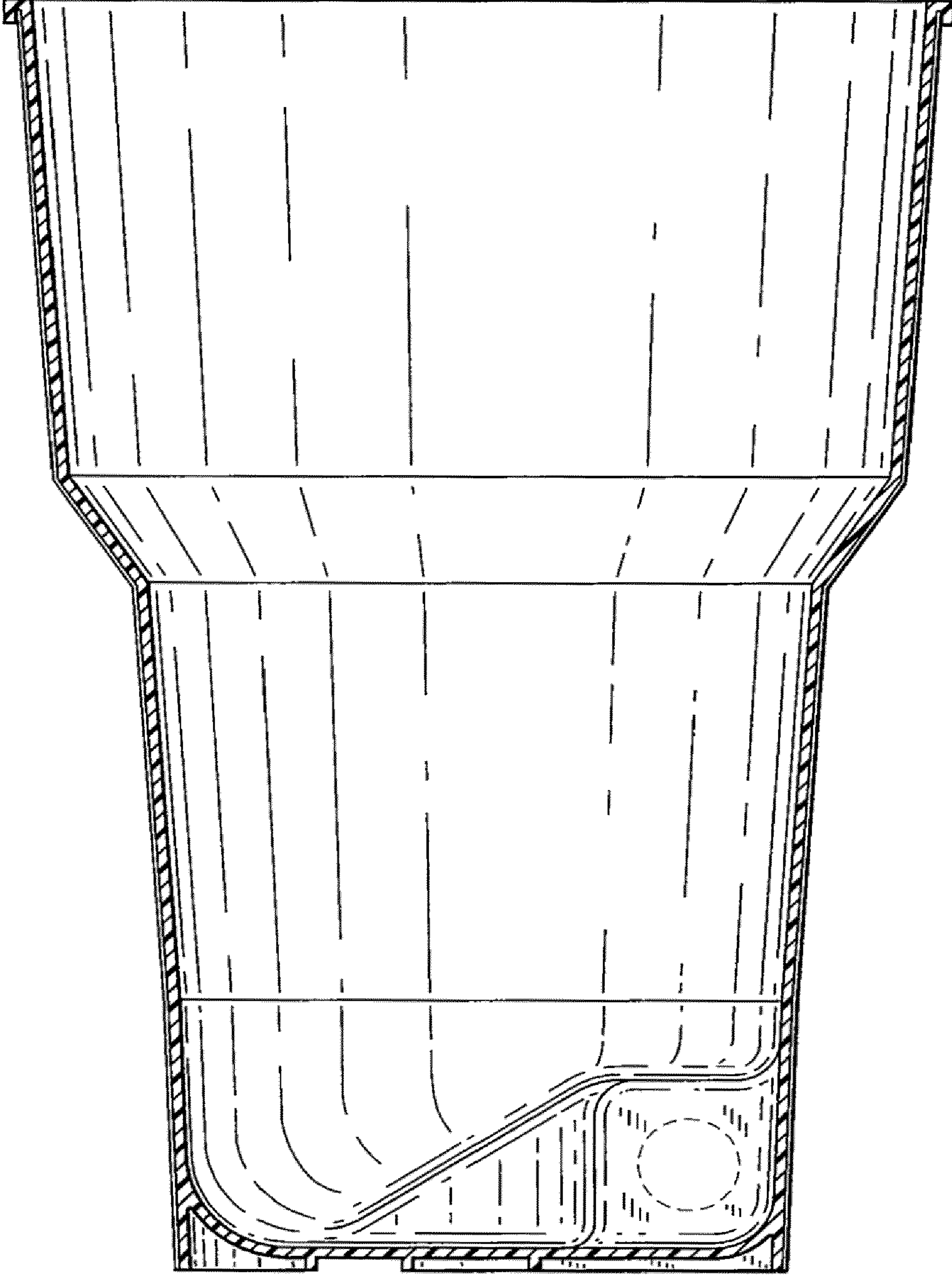


FIG. 9

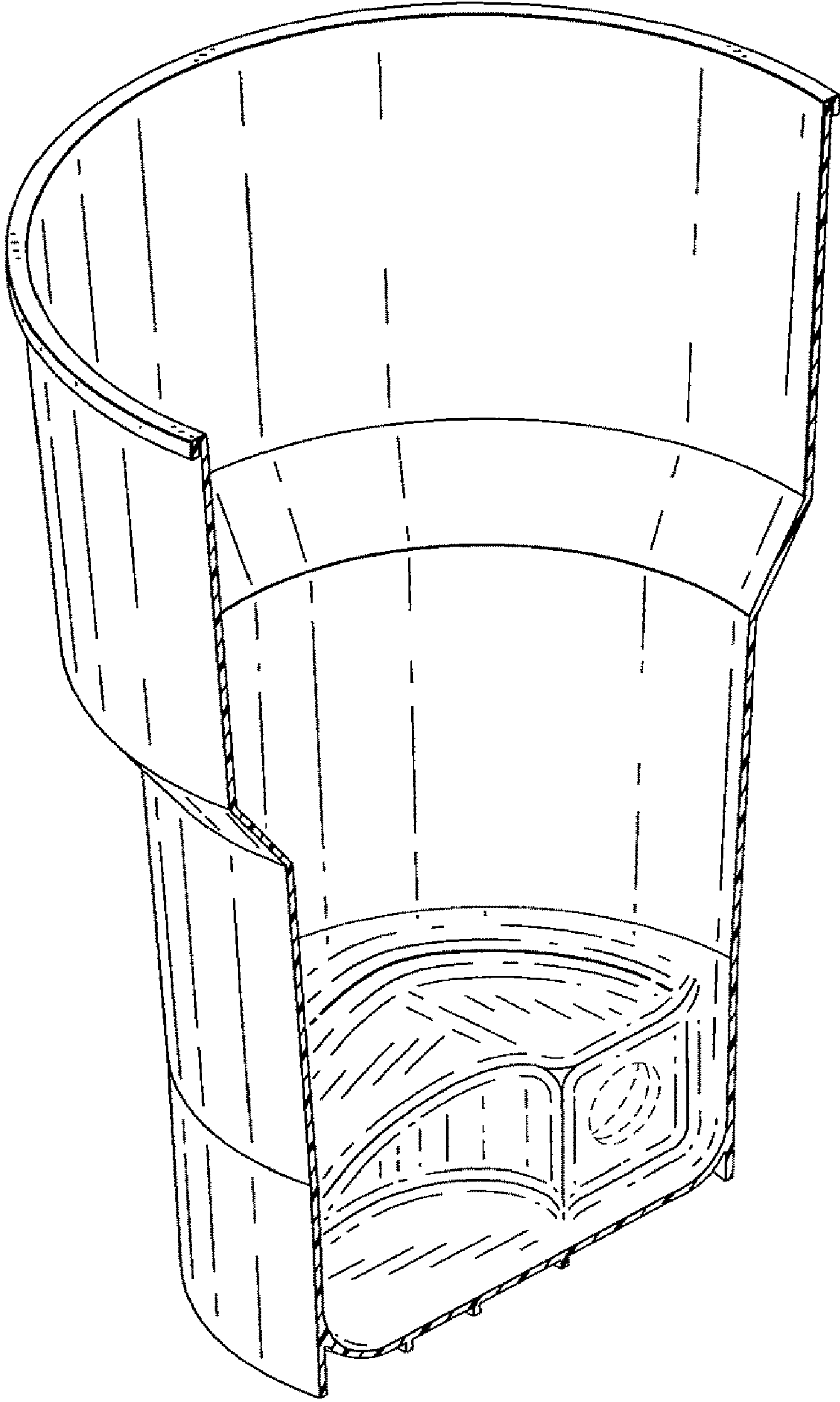


FIG. 10

FIG. 11

