



US00D658918S

(12) **United States Design Patent**
Brinker et al.

(10) **Patent No.:** **US D658,918 S**

(45) **Date of Patent:** **** *May 8, 2012**

(54) **DRYING MAT**

(75) Inventors: **Douglas Brinker**, St. Louis, MO (US);
Jeffrey G. Wilmsen, St. Louis, MO (US)

(73) Assignee: **Schroeder & Tremayne, Inc.**, St. Louis,
MO (US)

(*) Notice: This patent is subject to a terminal dis-
claimer.

(**) Term: **14 Years**

(21) Appl. No.: **29/366,186**

(22) Filed: **Jul. 21, 2010**

(51) **LOC (9) Cl.** **06-11**

(52) **U.S. Cl.** **D6/582**

(58) **Field of Classification Search** D5/1, 2,
D5/11, 12, 32, 37, 55, 58, 63; D6/582, 583,
D6/586, 588, 592, 594; 4/581, 582; 5/420;
15/215; 66/169 R; 428/32, 66.5, 112, 187,
428/221, 542.2

See application file for complete search history.

(56) **References Cited**

U.S. PATENT DOCUMENTS

D3,019 S *	5/1868	Blake	D5/47
D11,738 S *	4/1880	Appleton	D5/47
D32,864 S *	6/1900	Sarafian	D5/7
1,571,069 A *	1/1926	Stevenson	112/401
1,773,905 A *	8/1930	Kirsner	139/420 R
D90,413 S *	8/1933	Persky	D5/47
1,970,959 A *	8/1934	Gauntlett	428/93
D98,992 S *	3/1936	Beniston	D5/47
2,071,762 A *	2/1937	Nickle	126/221
2,098,993 A *	11/1937	Barrell	139/426 R
D121,311 S *	7/1940	Wells	D5/49
D133,290 S *	8/1942	Nordstrom	D5/47
2,354,435 A *	7/1944	Stedman	139/420 R

2,400,379 A *	5/1946	Whitman	442/103
D158,712 S	5/1950	Breneman		
D159,045 S	6/1950	Caldwell		
D166,389 S *	4/1952	Gressitt	D6/616
D171,301 S	1/1954	Kravitz		

(Continued)

OTHER PUBLICATIONS

Declaration by Jeffrey G. Wilmsen dated Sep. 21, 2010 filed as an
Information Disclosure Statement in U.S. Appl. No. 12/707,386
entitled "Drying Mat", including Exhibits A, B, and C.

(Continued)

Primary Examiner — Karen S Acker

(74) *Attorney, Agent, or Firm* — Thompson Coburn LLP

(57) **CLAIM**

The ornamental design for a drying mat, as shown and
described.

DESCRIPTION

FIG. 1 is a perspective view of an embodiment of a drying mat
showing our new design;

FIG. 2 is an alternate perspective view of the drying mat of
FIG. 1;

FIG. 3 is a plan view of the drying mat of FIG. 1;

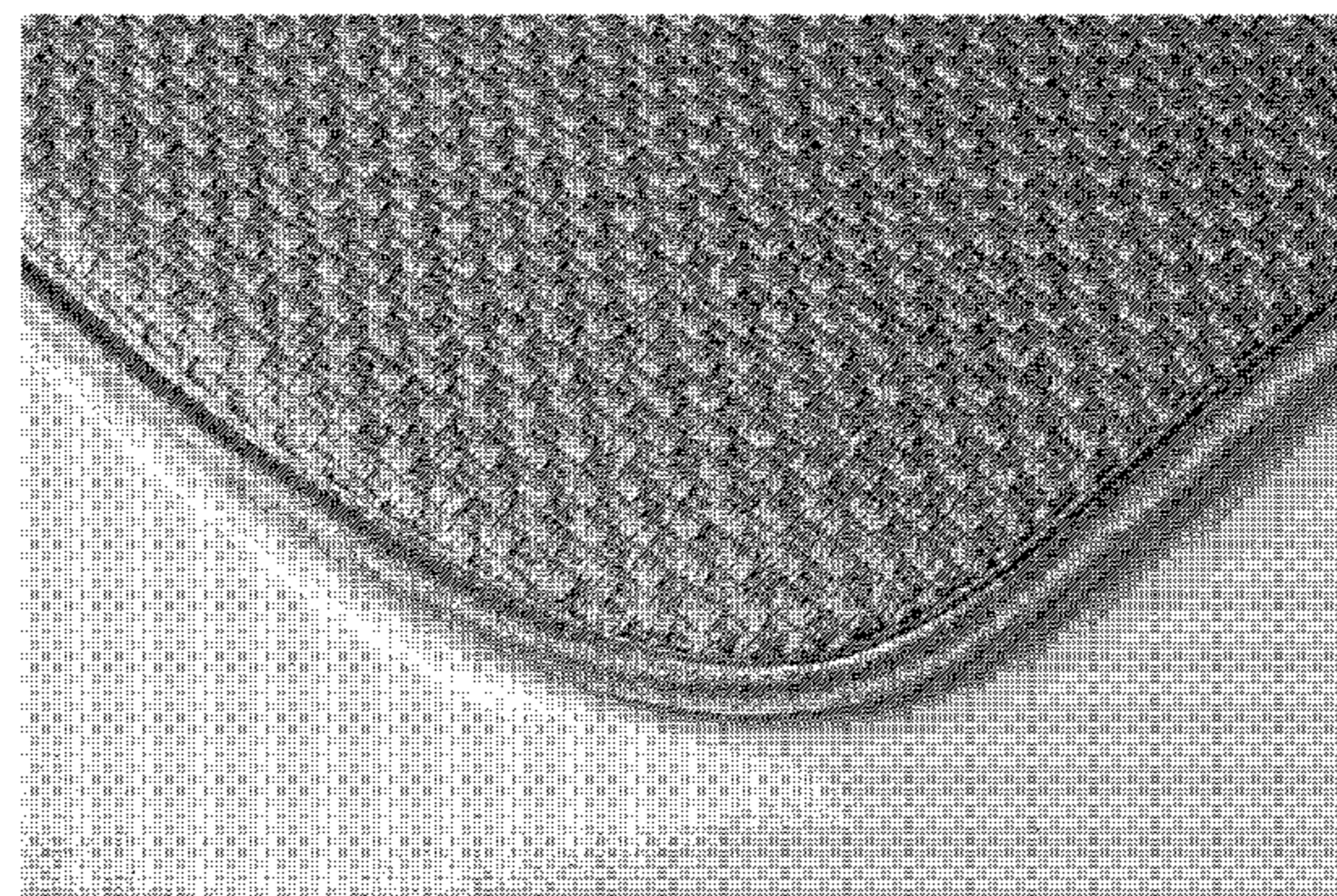
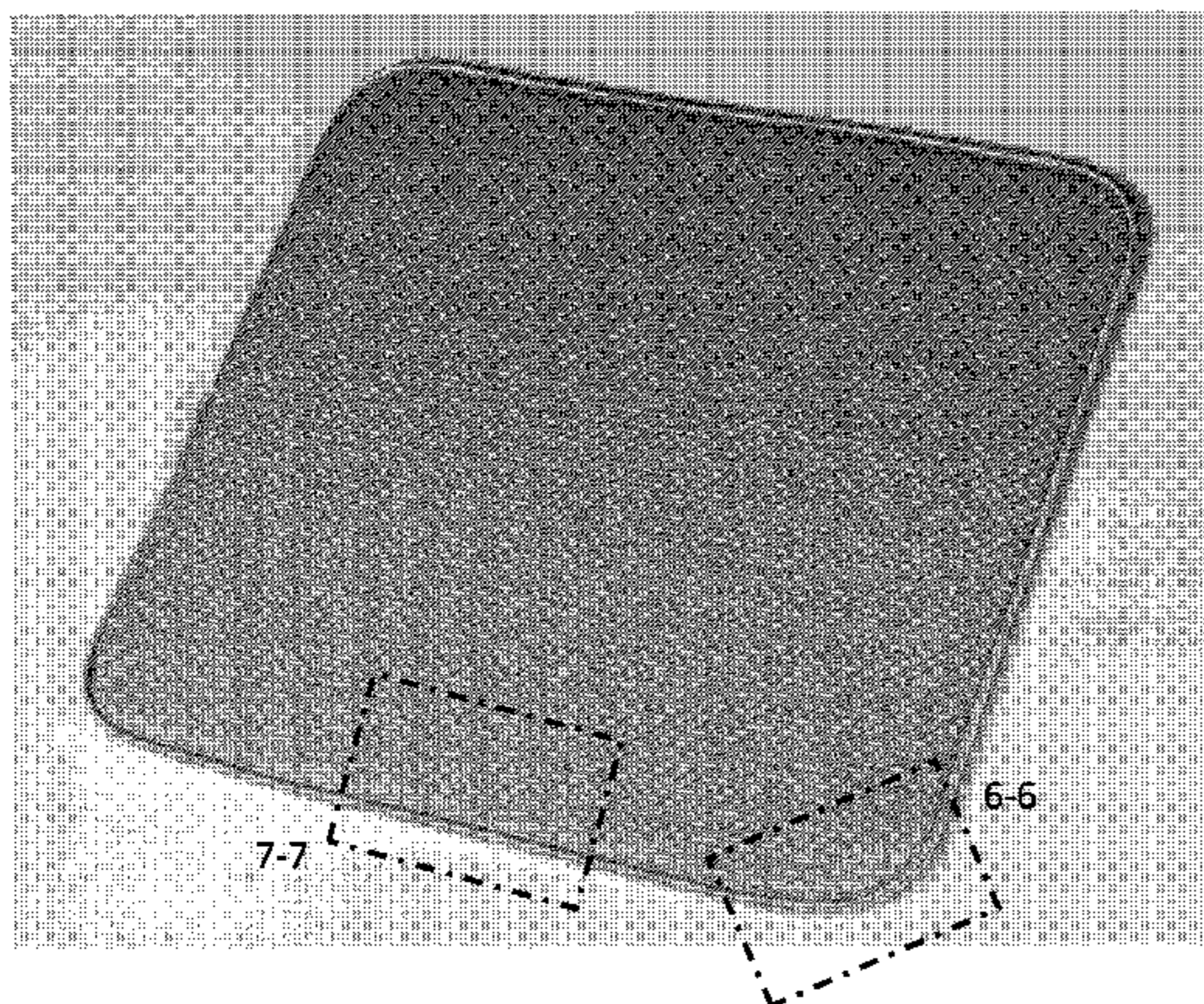
FIG. 4 is an enlarged detail plan view of a representative
portion of the drying mat from detail area 4-4 of FIG. 3;

FIG. 5 is an enlarged detail plan view of a portion of the
drying mat from detail area 5-5 of FIG. 3 showing a repre-
sentative side edge;

FIG. 6 is an enlarged detail perspective view of a portion of
the drying mat from detail area 6-6 of FIG. 1 showing a
representative corner and side edges adjacent the corner; and,

FIG. 7 is an enlarged detail perspective view of a portion of
the drying mat from detail area 7-7 of FIG. 1 showing a
representative side edge.

1 Claim, 7 Drawing Sheets



US D658,918 S

Page 2

U.S. PATENT DOCUMENTS

D172,224 S 5/1954 Daugette
D172,764 S * 8/1954 Rassman D5/47
D177,202 S * 3/1956 Wilde D5/47
D182,765 S * 5/1958 Goforth D5/47
3,169,264 A * 2/1965 Walker 15/118
D414,942 S * 10/1999 Grosfillex D5/47
RE38,422 E 2/2004 Rockwell, Jr. et al.
D486,341 S 2/2004 Ruhl et al.
6,722,394 B2 * 4/2004 Harrison et al. 139/383 R
6,808,599 B2 * 10/2004 Burazin et al. 162/123
D500,411 S * 1/2005 Warren D5/47
D555,407 S 11/2007 Lan
D609,042 S 2/2010 Wilmsen

2005/0045703 A1* 3/2005 Cheng 229/5.81
2009/0241978 A1* 10/2009 Moretti 132/200
2010/0143640 A1 6/2010 Wilmsen
2010/0143645 A1 6/2010 Wilmsen
2010/0209661 A1 8/2010 Wilmsen

OTHER PUBLICATIONS

Co-pending U.S. Appl. No. 29/366,183, filed with the USPTO on Jul. 21, 2010 in the name of Brinker, Douglas et al.

Co-pending U.S. Appl. No. 29/366,189, filed with the USPTO on Jul. 21, 2010 in the name of Brinker, Douglas et al.

* cited by examiner

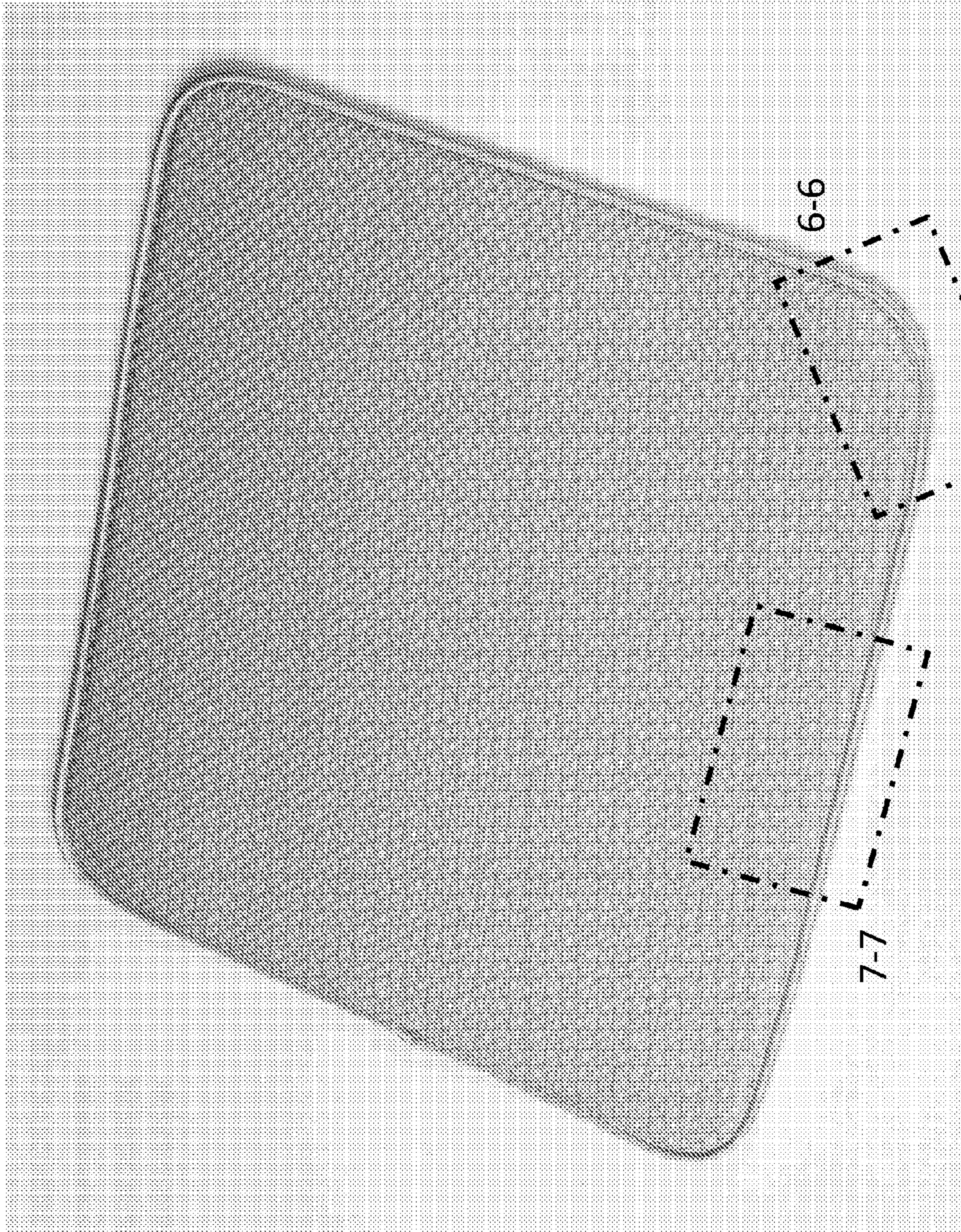


Figure 1

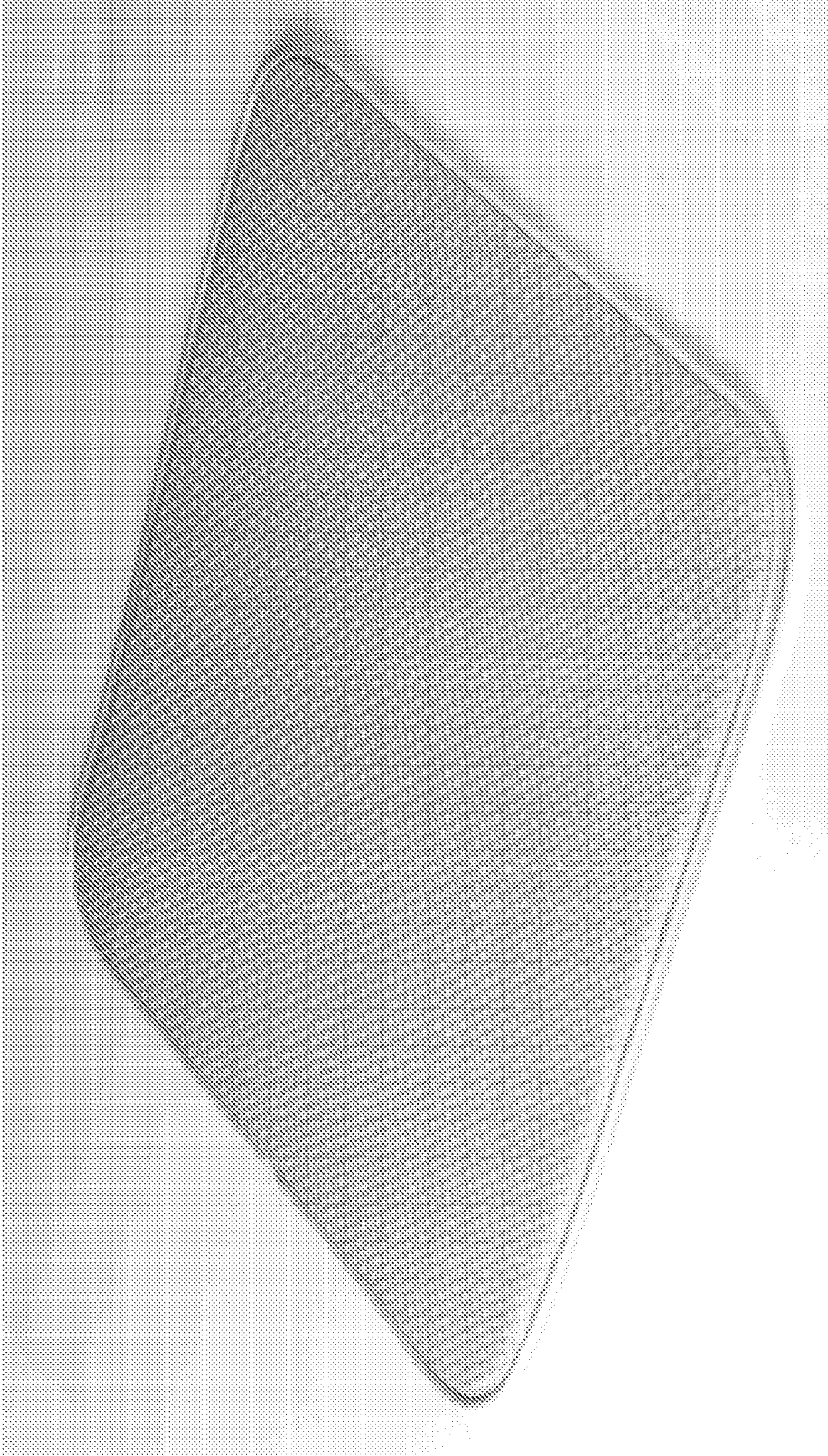


Figure 2

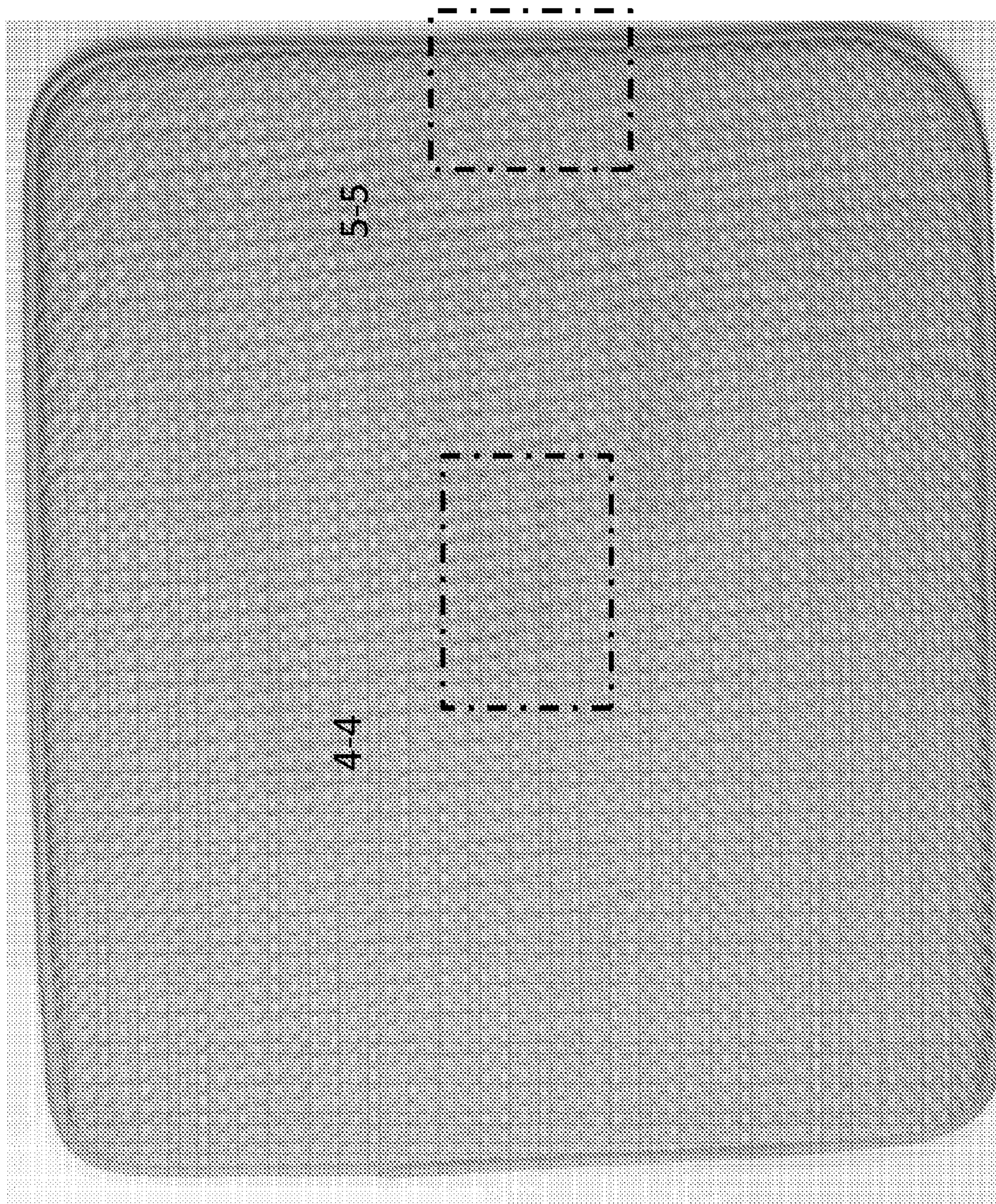


Figure 3

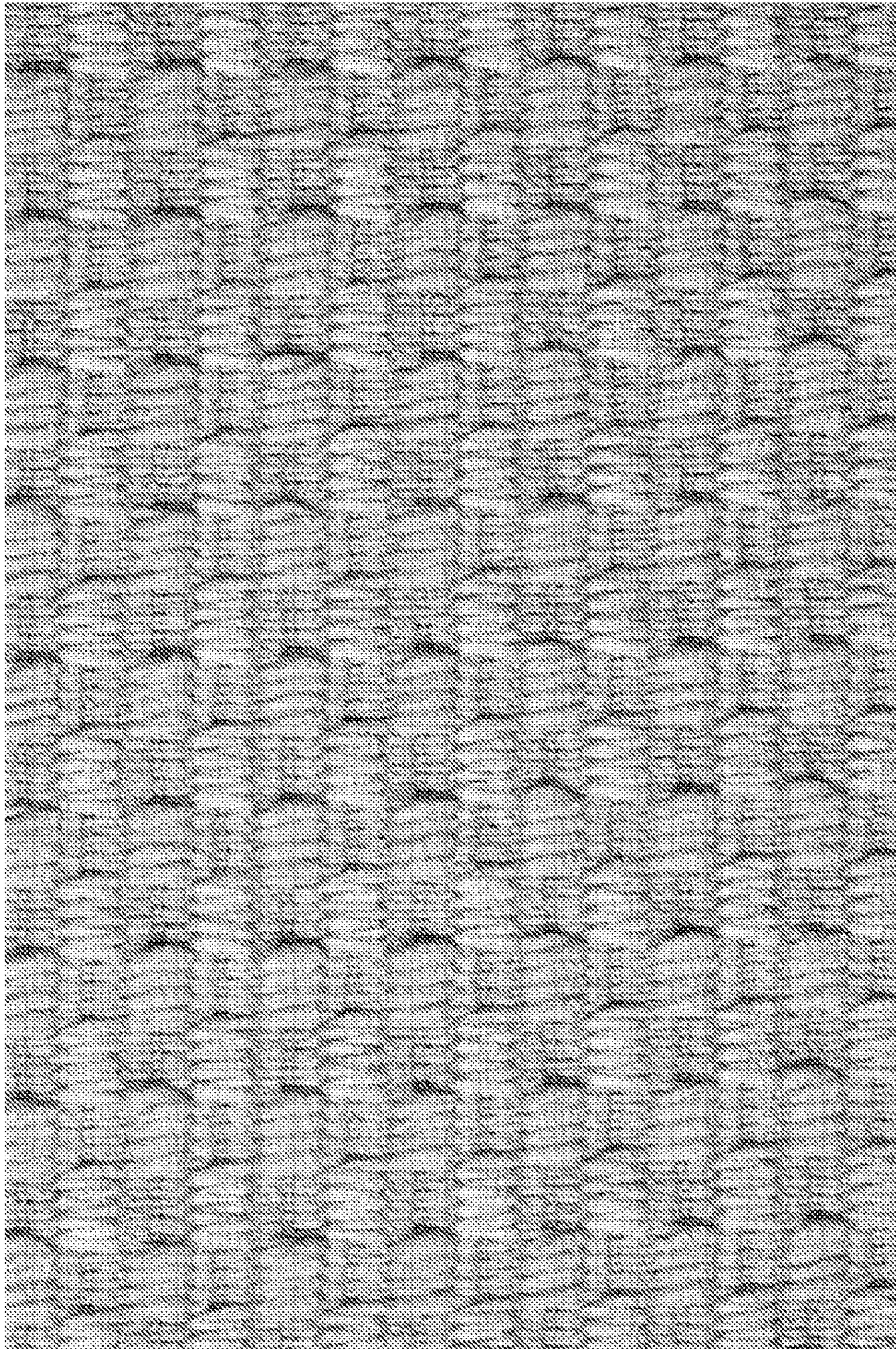
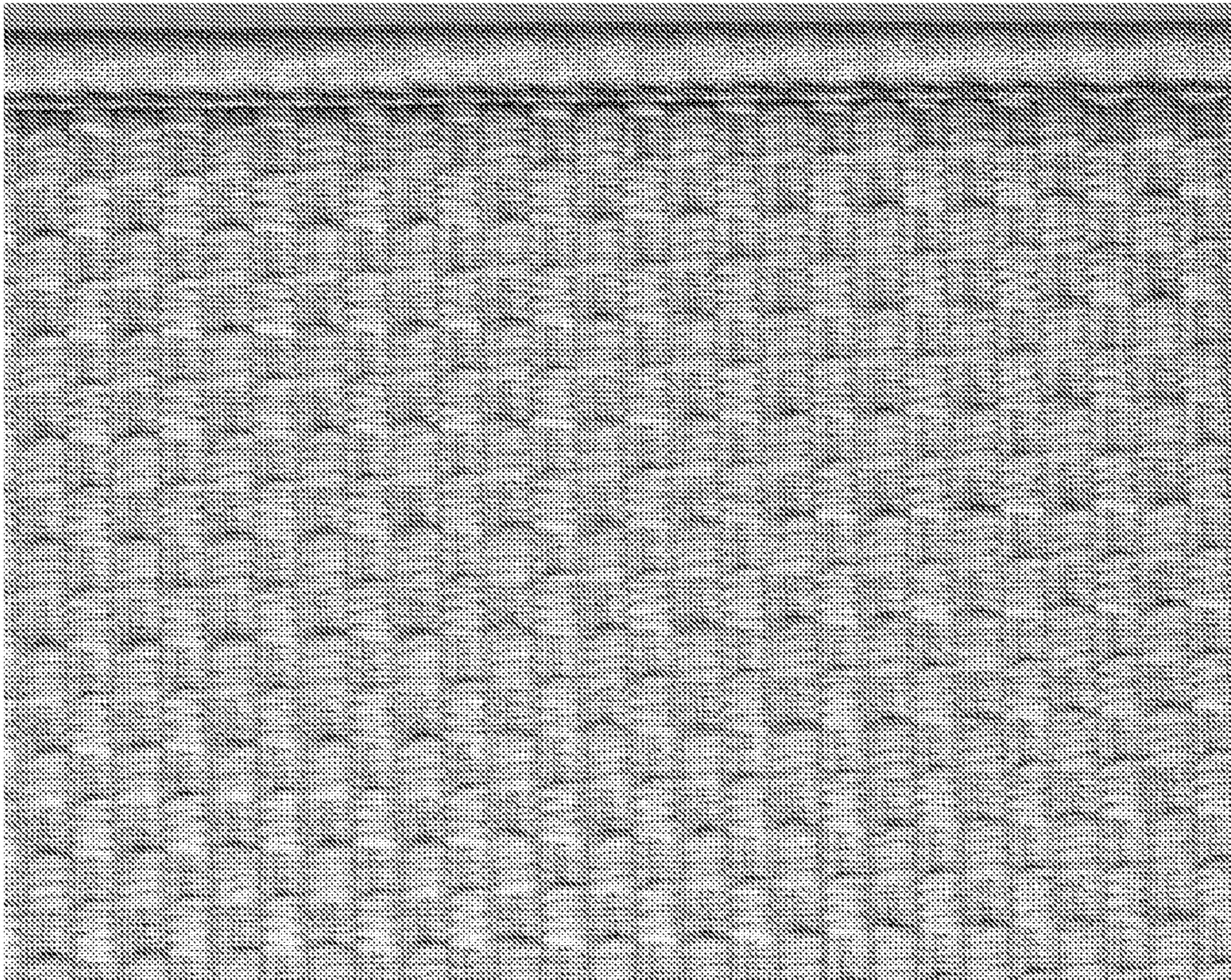


Figure 4

Figure 5



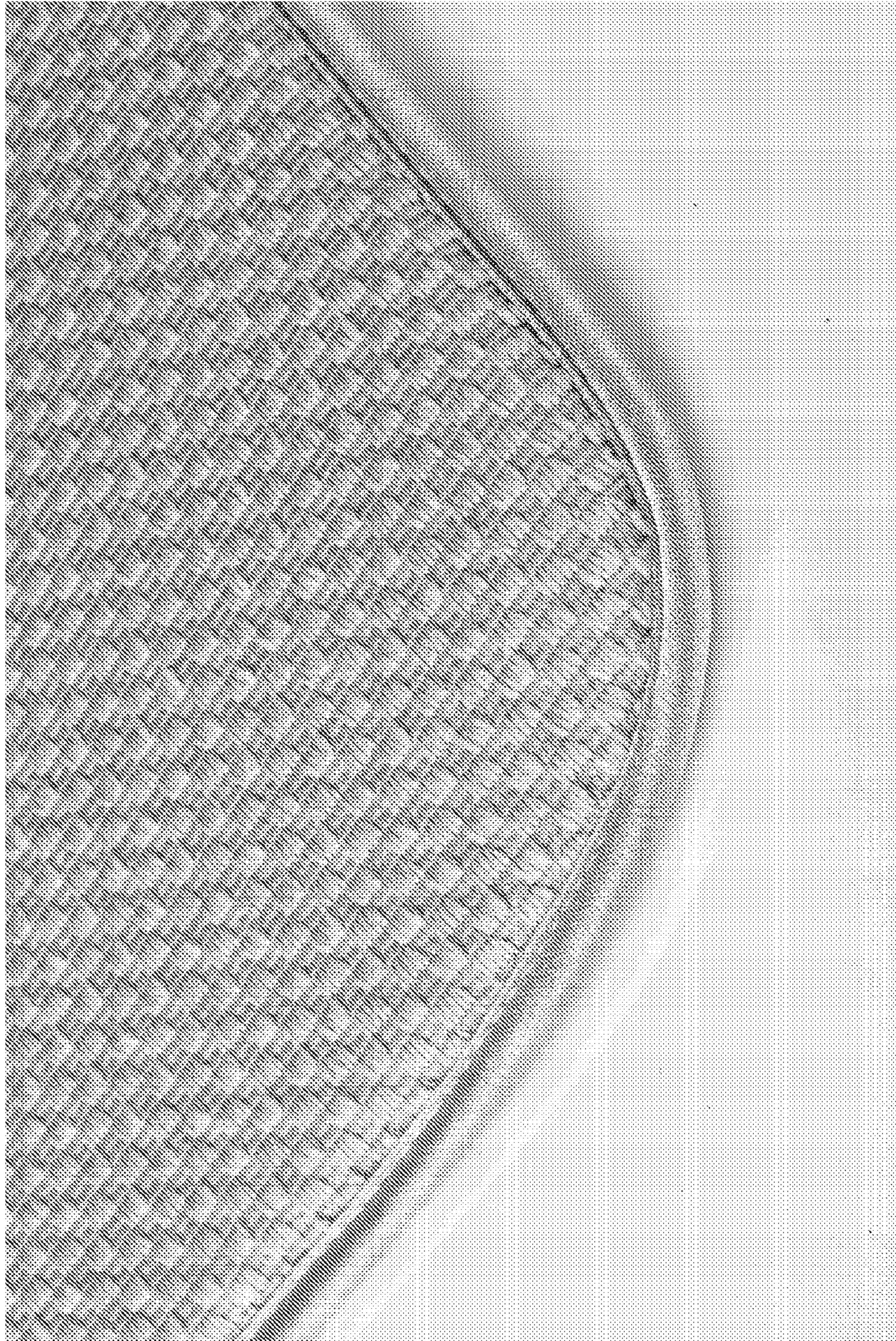


Figure 6

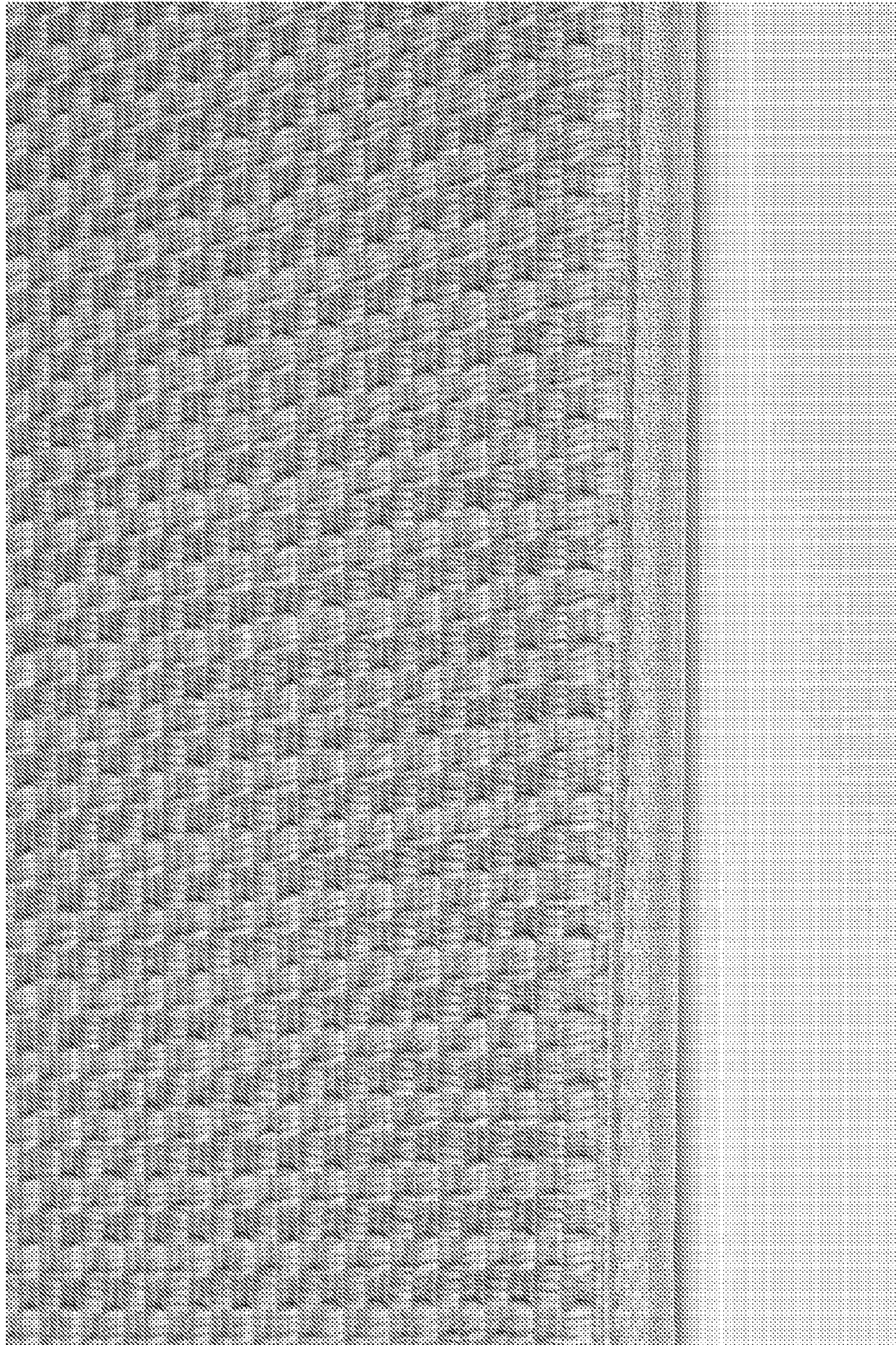


Figure 7