



US00D658916S

(12) **United States Design Patent**
Rovero et al.

(10) **Patent No.:** **US D658,916 S**

(45) **Date of Patent:** **** May 8, 2012**

(54) **PLANT PRODUCTION CONTAINER**

(76) Inventors: **Sebastien Rovero**, Lagny-Sue-Marne (FR); **Celeste Djerfaf**, Bussy Saint Martin (FR)

(**) Term: **14 Years**

(21) Appl. No.: **29/398,601**

(22) Filed: **Aug. 2, 2011**

(30) **Foreign Application Priority Data**

Feb. 2, 2011 (EM) 001815341-0001
Apr. 14, 2011 (EM) 001851460-0001
May 23, 2011 (EM) 001867680-0001

(51) **LOC (9) Cl.** **11-02**

(52) **U.S. Cl.** **D6/556**

(58) **Field of Classification Search** D6/403-405, D6/556-558; D8/1; D11/143-156, 164; D19/77, 80, 81, 84; D25/100; D26/9-11, D26/16, 19; D34/1, 2, 4-6; D99/5, 19; 47/17, 47/32.4, 32.5, 32.7, 33.39, 41.01, 41.1, 41.11-41.15, 47/44-47, 63, 65.5, 65.9, 66.1, 66.2, 66.6, 47/66.7, 67-71
See application file for complete search history.

(56) **References Cited**

U.S. PATENT DOCUMENTS

D55,864 S * 7/1920 Jenkins D11/143
D371,089 S * 6/1996 Yeung D11/152

D462,296 S * 9/2002 Bates et al. D11/146
D481,971 S * 11/2003 Hartelius et al. D11/143
D573,917 S * 7/2008 Bigoski D11/143
D640,586 S * 6/2011 Tanaka D11/155
D640,587 S * 6/2011 Tanaka D11/155

FOREIGN PATENT DOCUMENTS

GB 2092045 * 8/2000
GB 4011647 * 7/2009

* cited by examiner

Primary Examiner — Garth Rademaker

(74) *Attorney, Agent, or Firm* — Young & Thompson

(57) **CLAIM**

The ornamental design for a plant production container, as shown and described.

DESCRIPTION

FIG. 1 is left side view of a plant production container showing our new design;

FIG. 2 is a top, front perspective view thereof;

FIG. 3 is a bottom, front perspective view thereof;

FIG. 4 is a left side elevational view thereof;

FIG. 5 is a right side elevational view thereof;

FIG. 6 is a rear elevational view thereof;

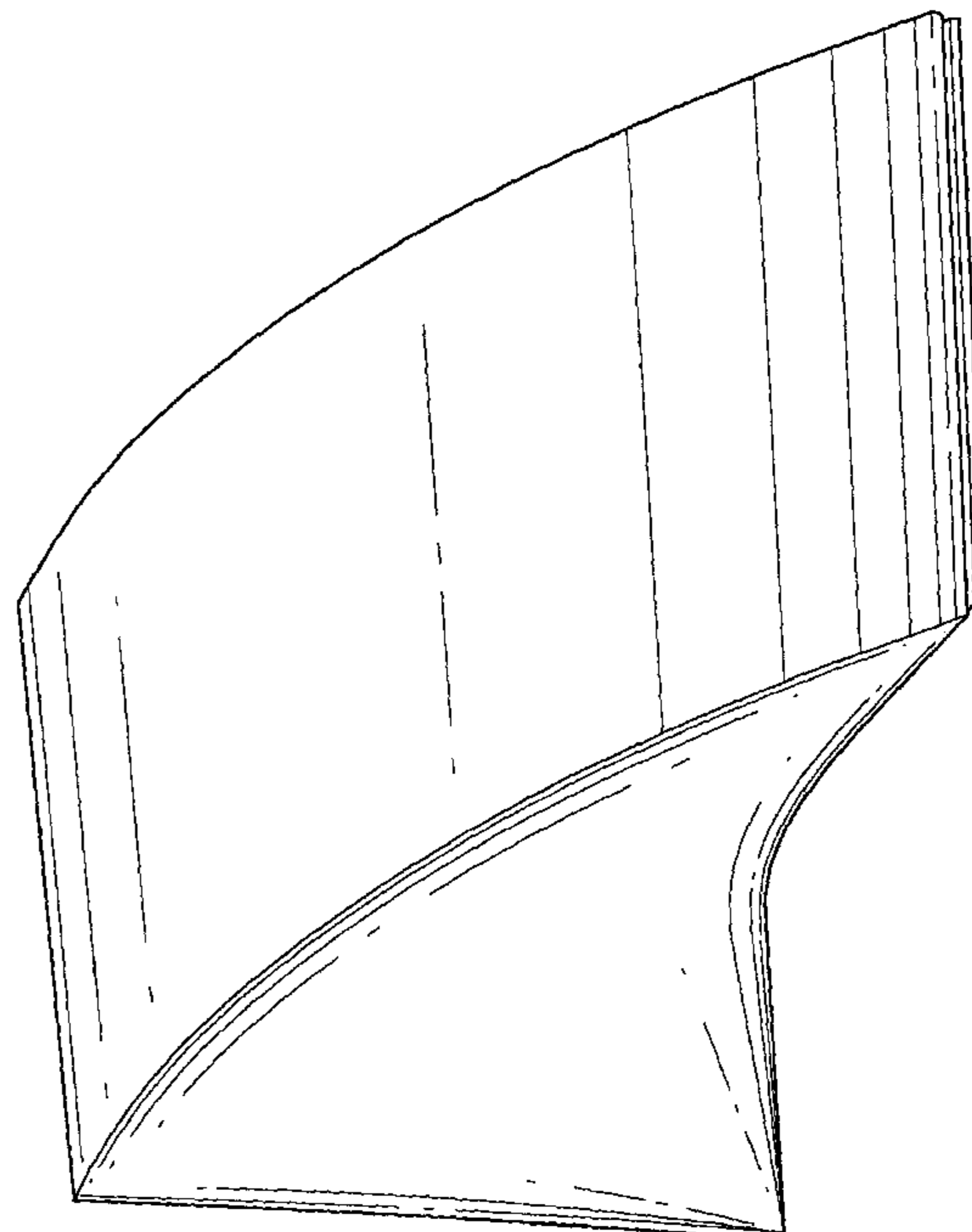
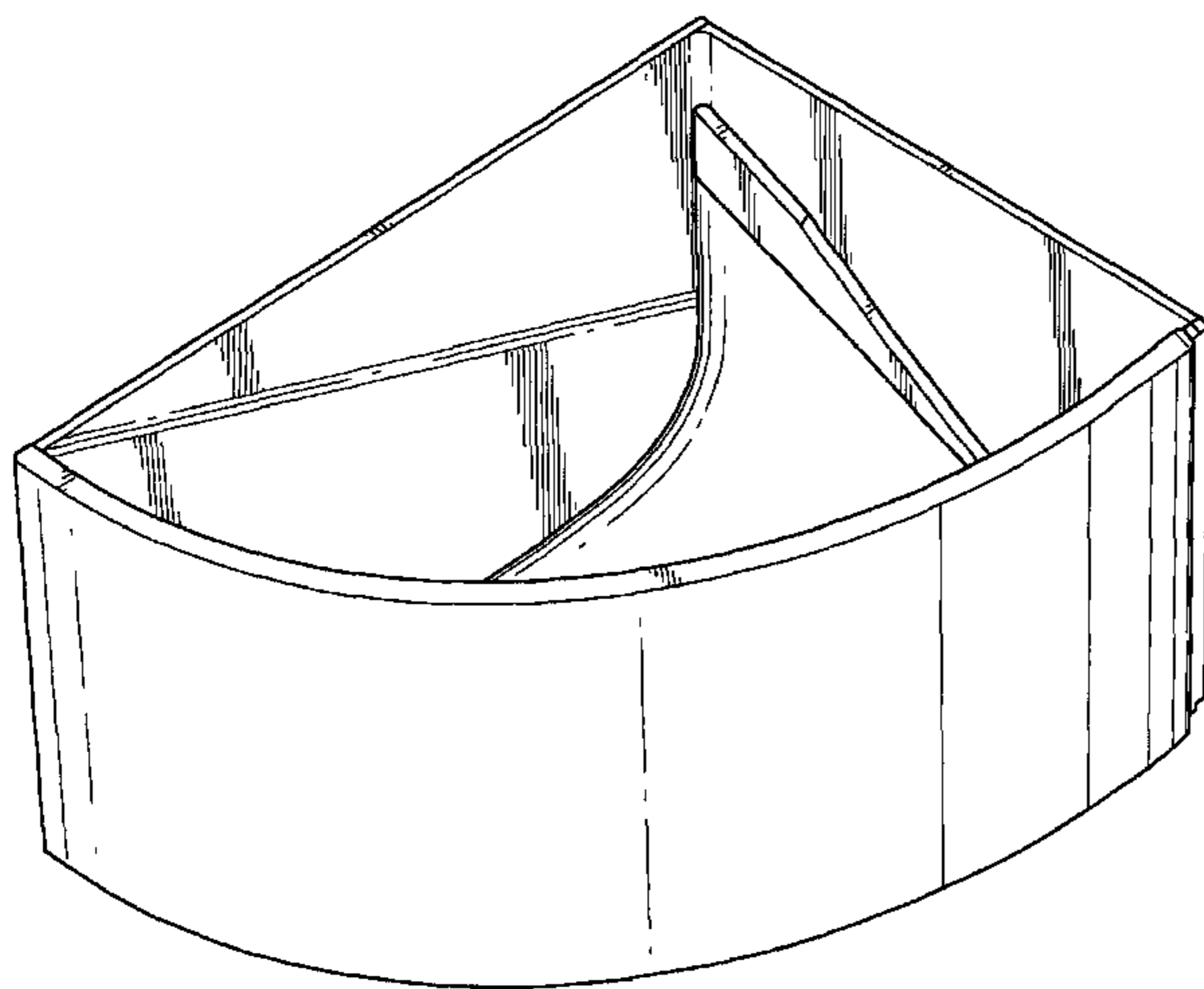
FIG. 7 is a front elevational view thereof;

FIG. 8 is a top plan view thereof; and,

FIG. 9 is a bottom plan view thereof.

The broken lines showing an environmental plant in FIG. 1 and portions of the plant production container in FIGS. 1, 4, and 5 form no part of the claimed design.

1 Claim, 9 Drawing Sheets



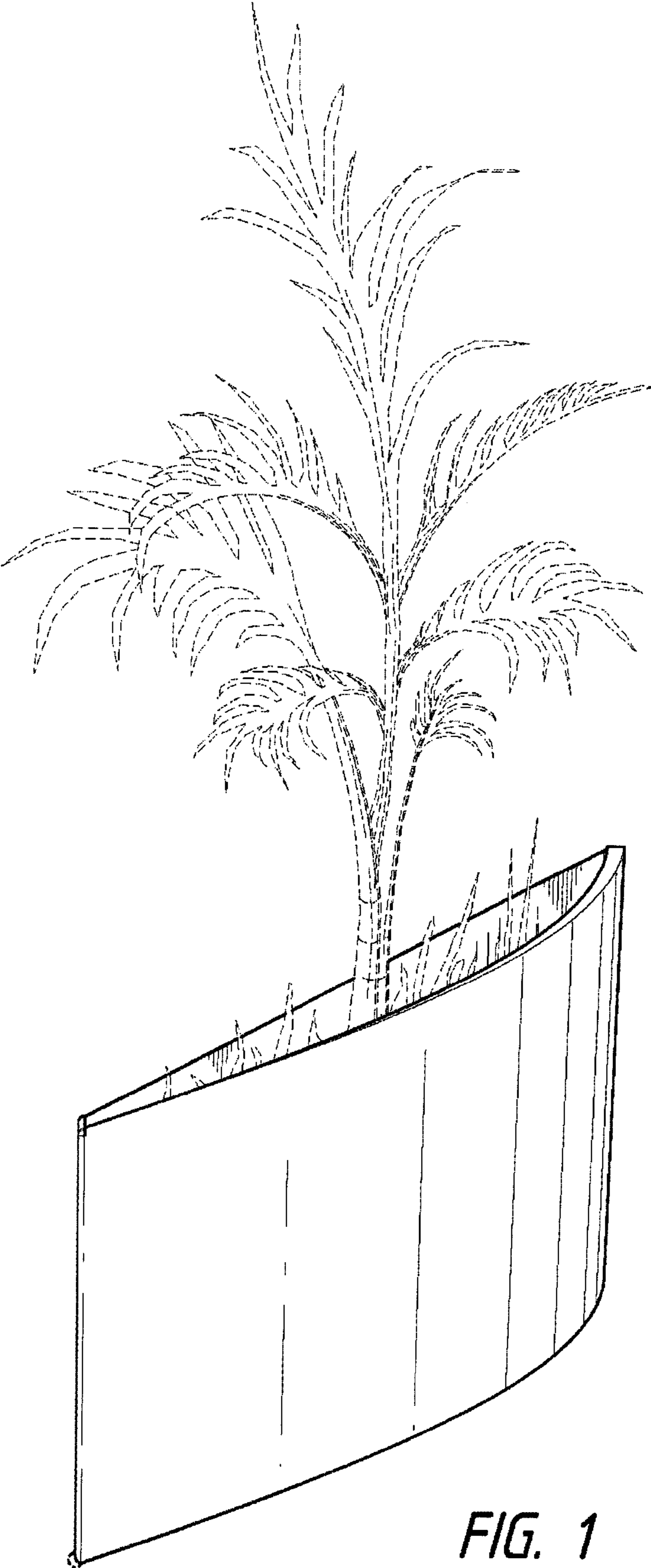


FIG. 1

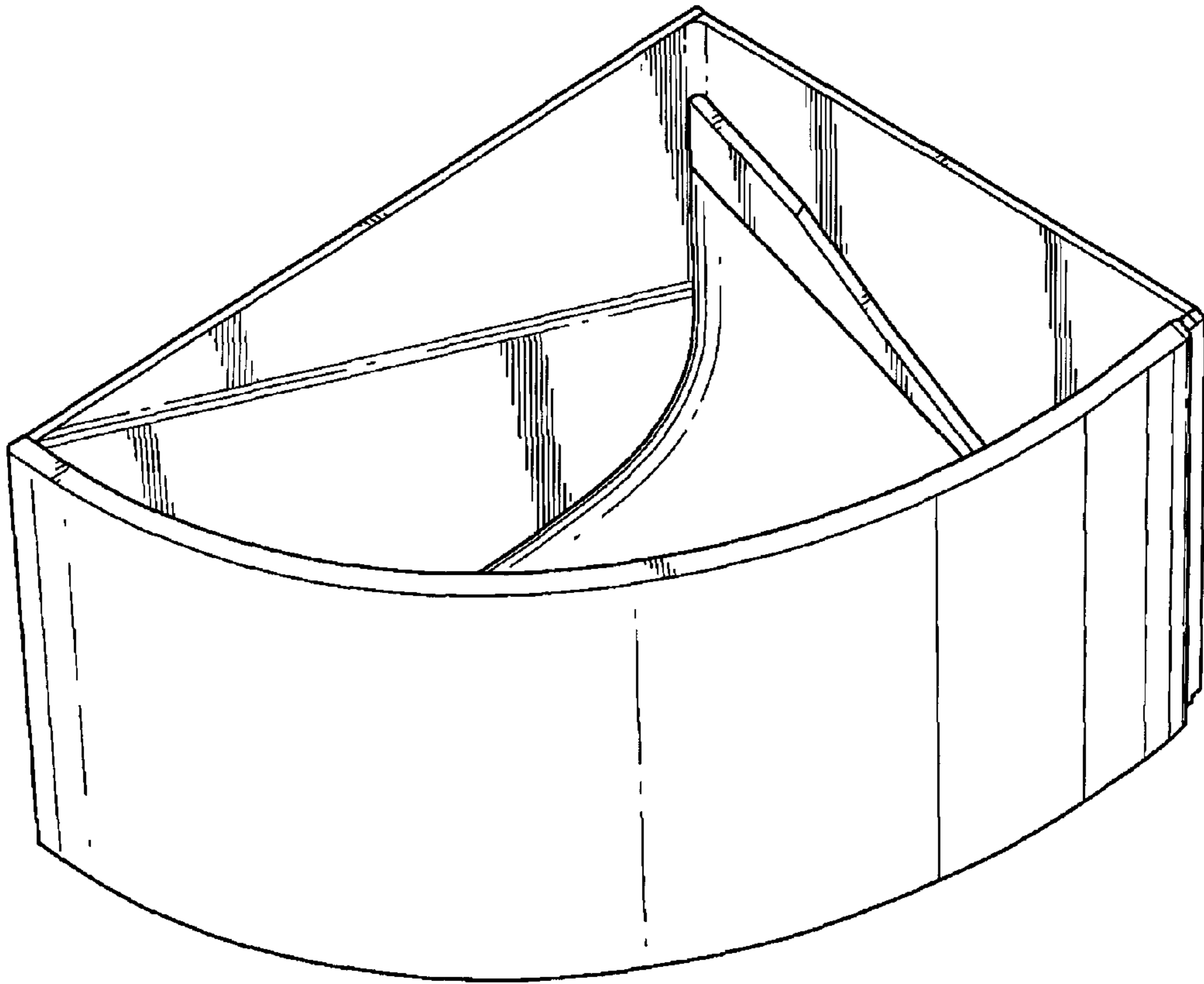


FIG. 2

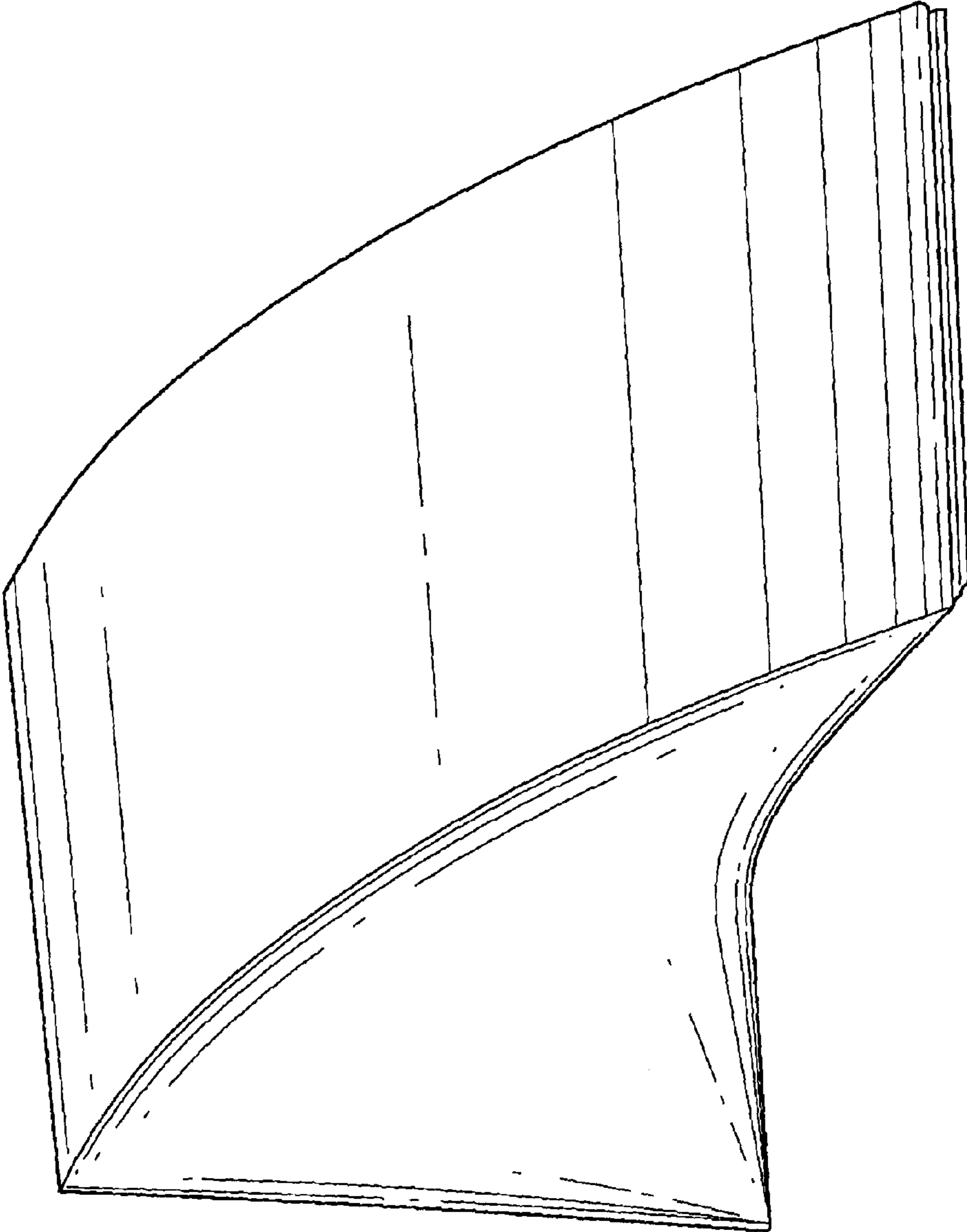


FIG. 3

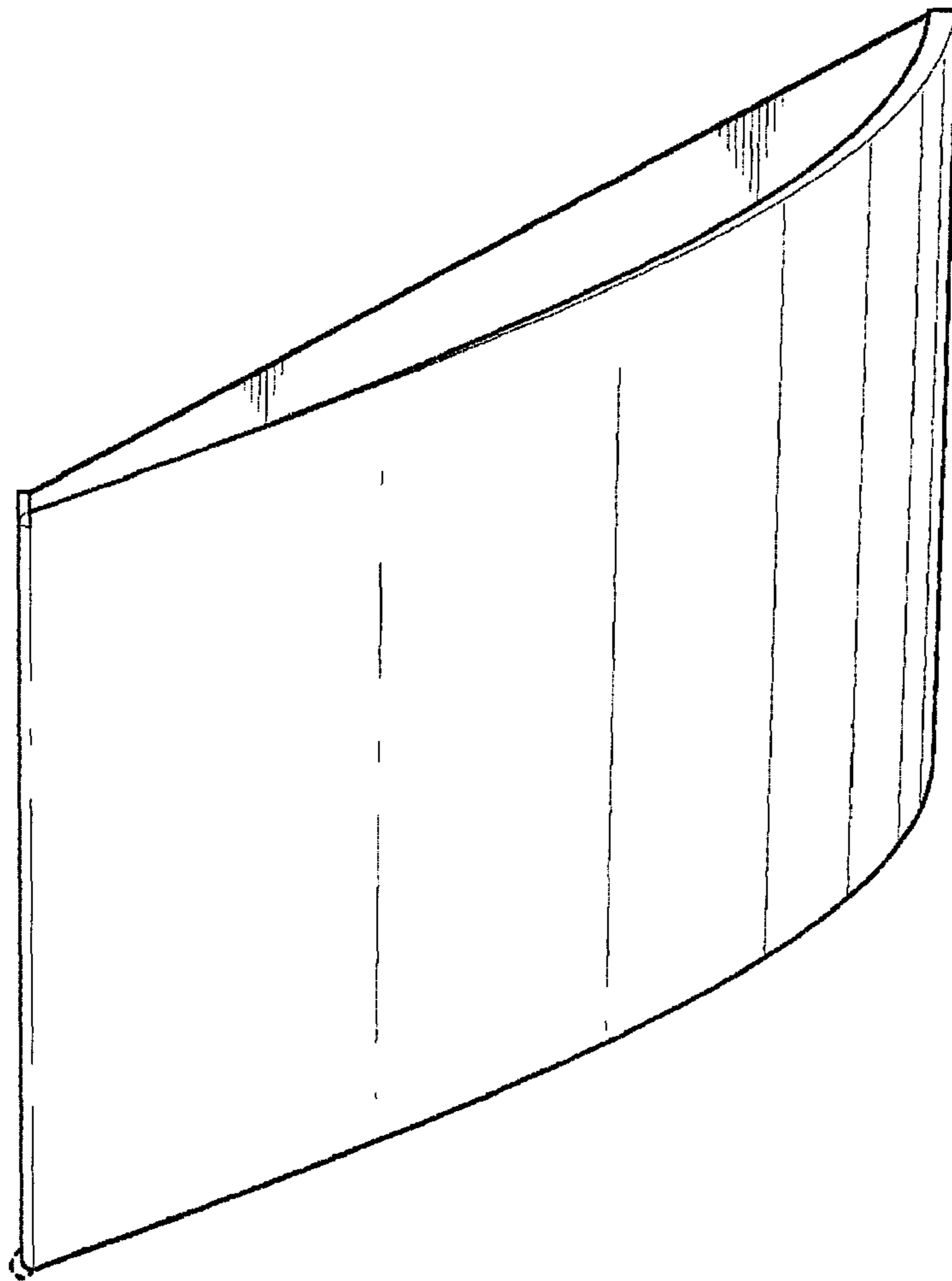


FIG. 4

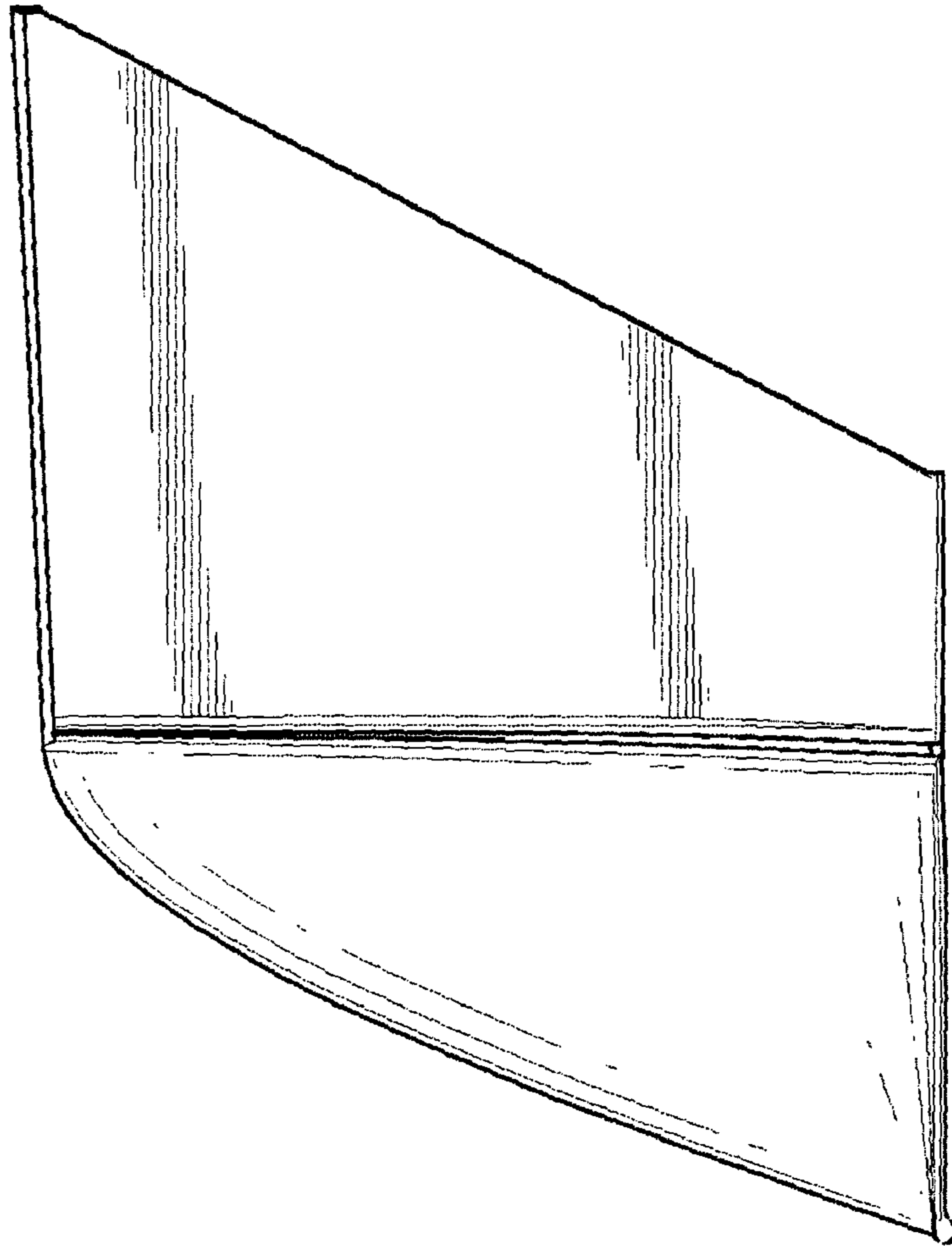


FIG. 5

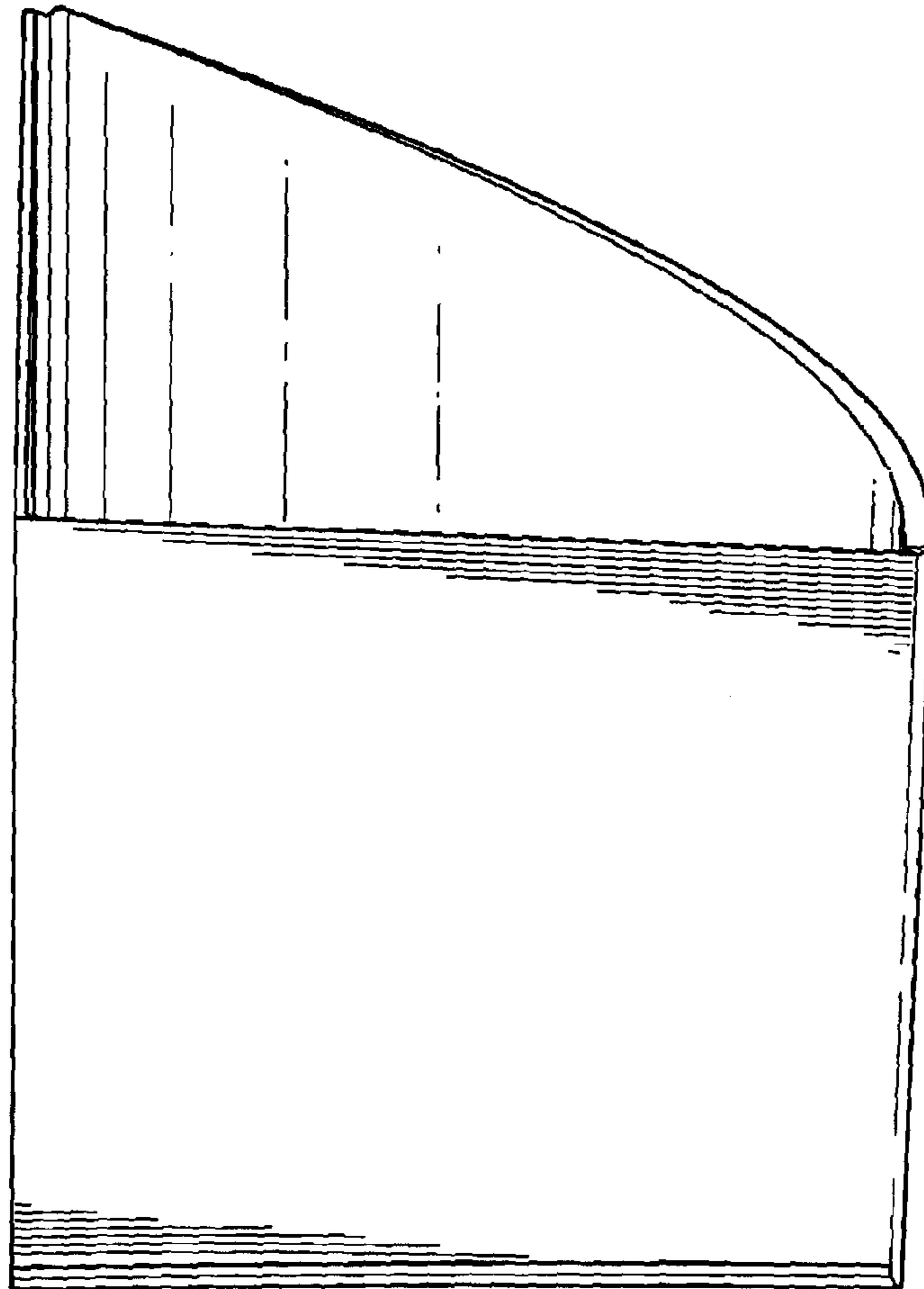


FIG. 6

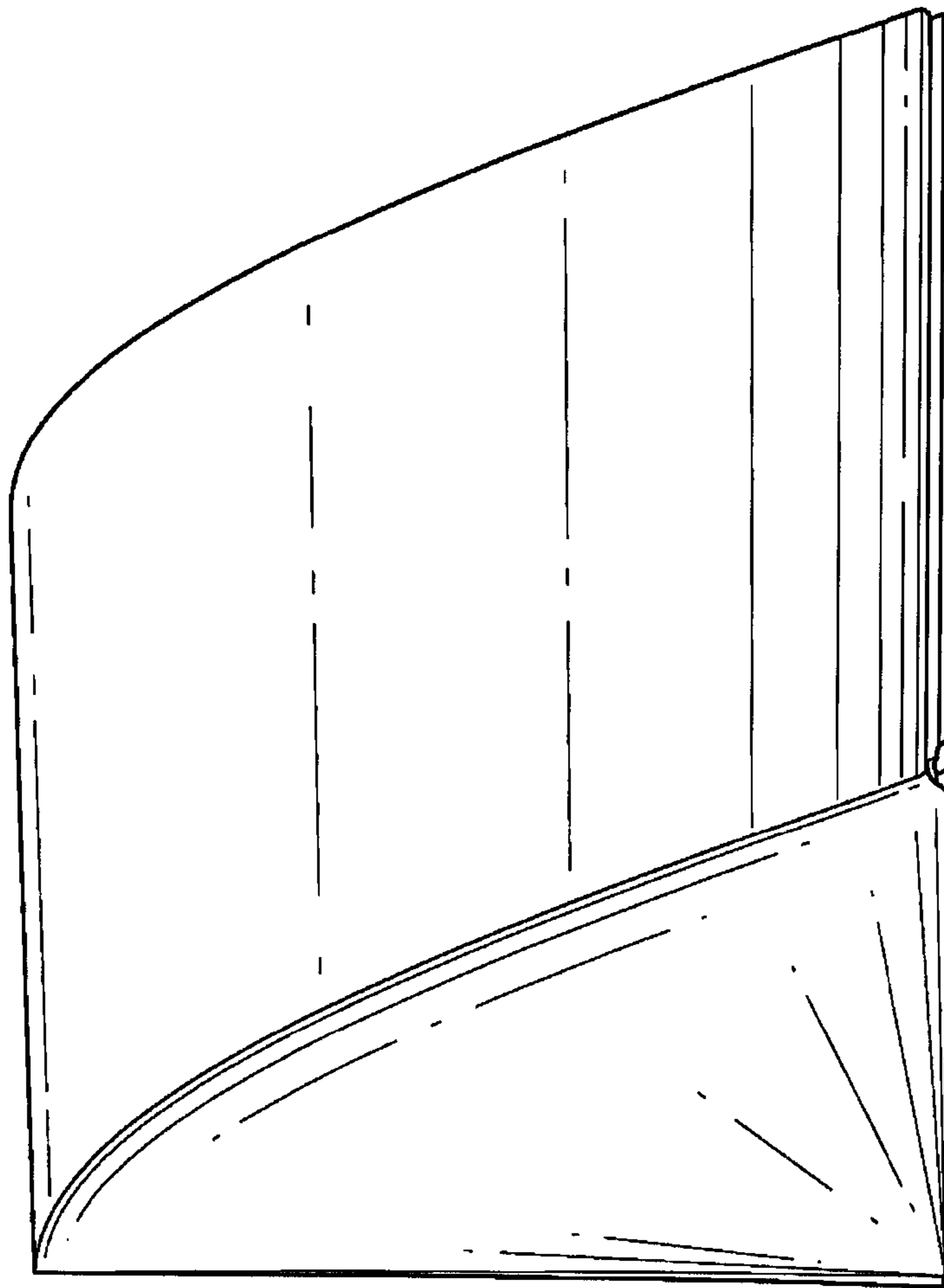


FIG. 7

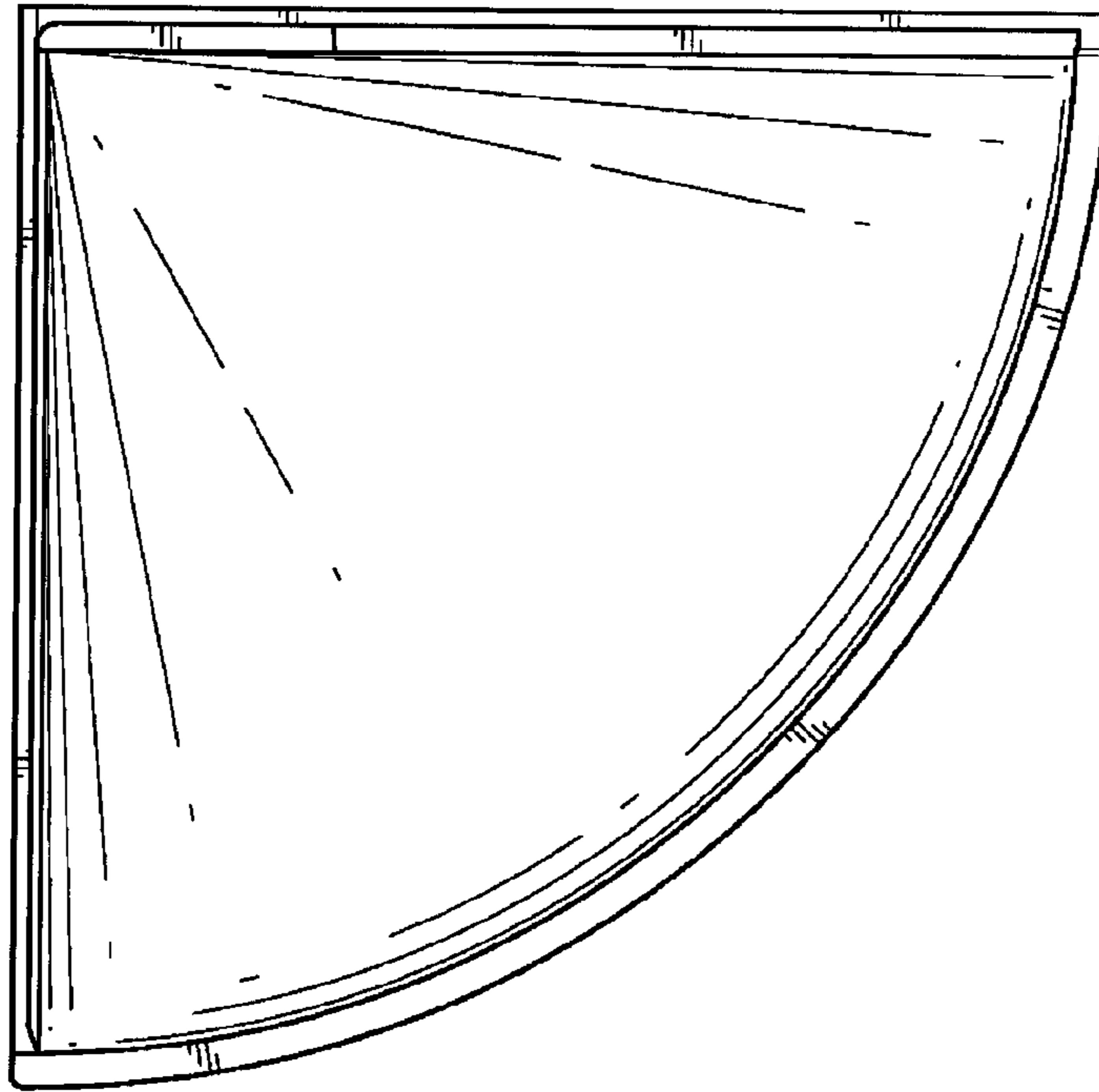


FIG. 8

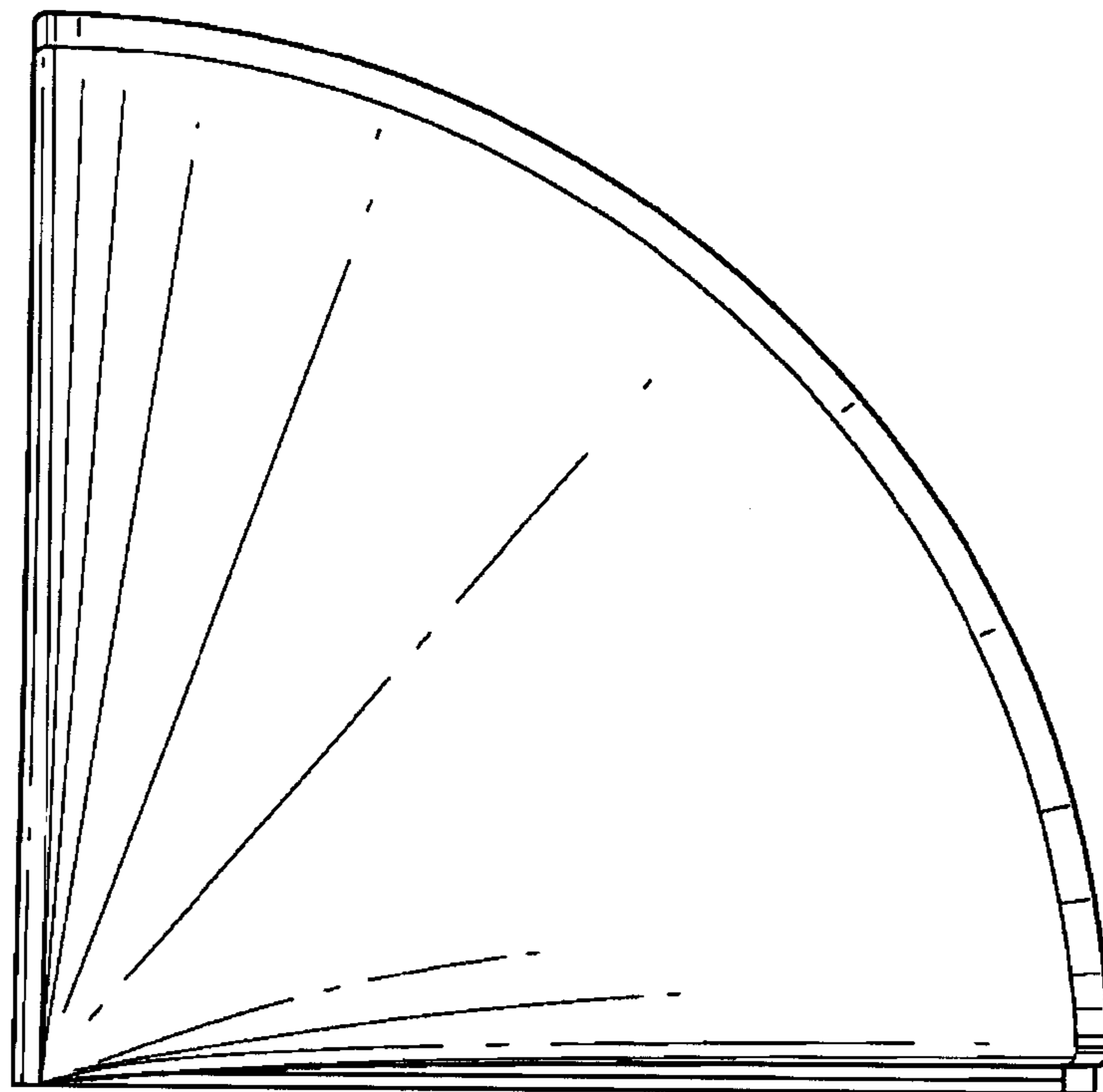


FIG. 9