



US00D658914S

(12) **United States Design Patent**
Rich et al.

(10) **Patent No.:** **US D658,914 S**

(45) **Date of Patent:** **** May 8, 2012**

(54) **DUAL-COMPARTMENT CONTAINER**

(76) Inventors: **Michael L. Rich**, Campbell, CA (US);
Lisa K. Rich, Campbell, CA (US)

(**) Term: **14 Years**

(21) Appl. No.: **29/393,457**

(22) Filed: **Jun. 3, 2011**

(51) **LOC (9) Cl.** **20-02**

(52) **U.S. Cl.** **D6/518**

(58) **Field of Classification Search** D6/515,
D6/518-523; D3/201; 206/389, 391, 407,
206/409; 312/34.1, 34.8; 211/16, 85.5, 59.2;
221/92, 97, 185, 282, 284; 242/159, 160.2,
242/550, 560, 590, 595, 588, 598, 598.3,
242/598.6

See application file for complete search history.

(56) **References Cited**

U.S. PATENT DOCUMENTS

D277,169 S	1/1985	Ito et al.	
D278,005 S	3/1985	Wolff	
D311,106 S	10/1990	Jaber	
D329,773 S *	9/1992	Addison et al.	D6/520
5,311,986 A	5/1994	Putz	
D353,995 S	1/1995	Foster	
D383,934 S	9/1997	McNaughton	
5,950,960 A	9/1999	Marino	
D438,736 S *	3/2001	Sanders et al.	D6/518
D443,450 S *	6/2001	Ruhotas et al.	D6/515
D579,702 S	11/2008	McArdle	
D591,990 S	5/2009	Serfaty	
D600,959 S	9/2009	Serfaty	
D603,721 S	11/2009	Masucci	
D609,039 S	2/2010	Serfaty	

D613,536 S	4/2010	Pattberg	
D617,127 S *	6/2010	Wang	D6/518
D634,138 S *	3/2011	Wallace	D6/518
D635,805 S *	4/2011	Pleyber et al.	D6/518

* cited by examiner

Primary Examiner — Brian N Vinson

(74) *Attorney, Agent, or Firm* — QuickPatents, Inc.; Kevin Prince

(57) **CLAIM**

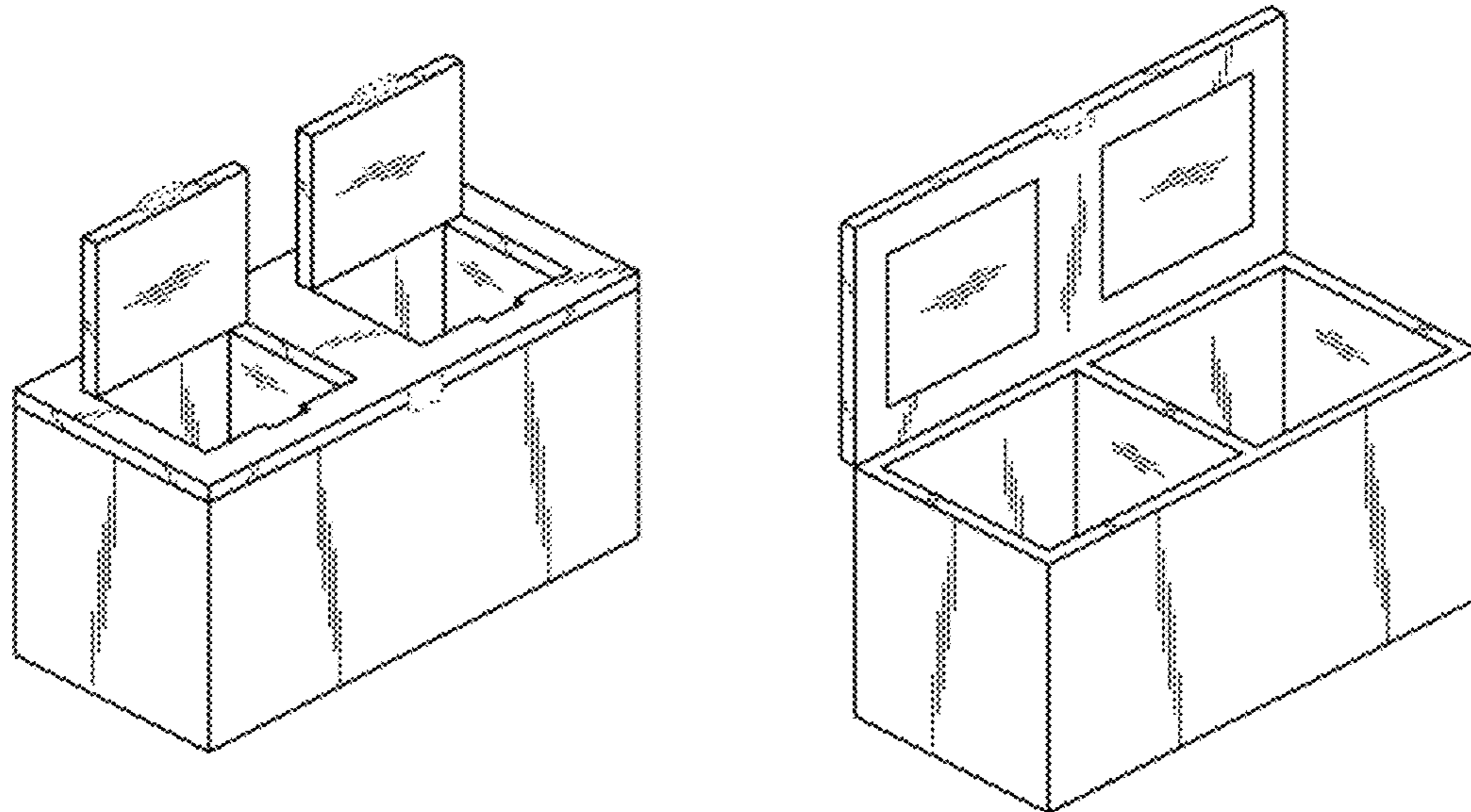
We claim the ornamental design for a dual-compartment container, as shown and described.

DESCRIPTION

FIG. 1 is a perspective view of a dual-compartment container, showing our new design in a fully closed configuration; FIG. 2 is a top plan view thereof; FIG. 3 is a front elevational view thereof; FIG. 4 is a rear elevational view thereof; FIG. 5 is a bottom plan view thereof; FIG. 6 is a left-side elevational view thereof, the right-side elevational view being a mirror image thereof; FIG. 7 is a cross-sectional view thereof, taken generally along lines 7-7 of FIG. 6; FIG. 8 is a perspective view thereof, illustrated in a partially open configuration; and, FIG. 9 is a perspective view thereof, illustrated in a fully open configuration.

The broken lines showing latches in FIGS. 1-3, 8 and 9 depict environmental matter and form no part of the claimed design.

1 Claim, 3 Drawing Sheets



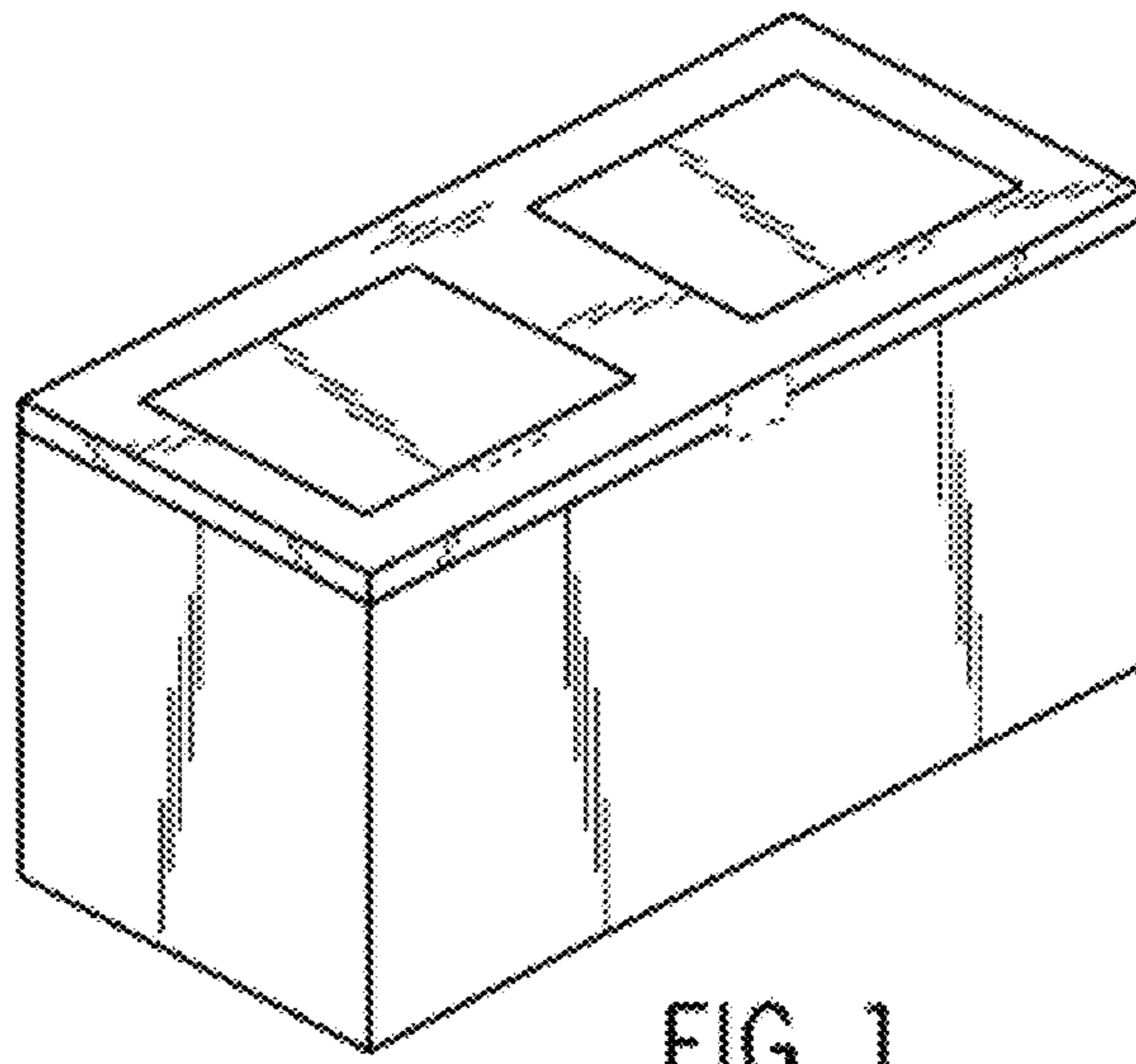


FIG. 1

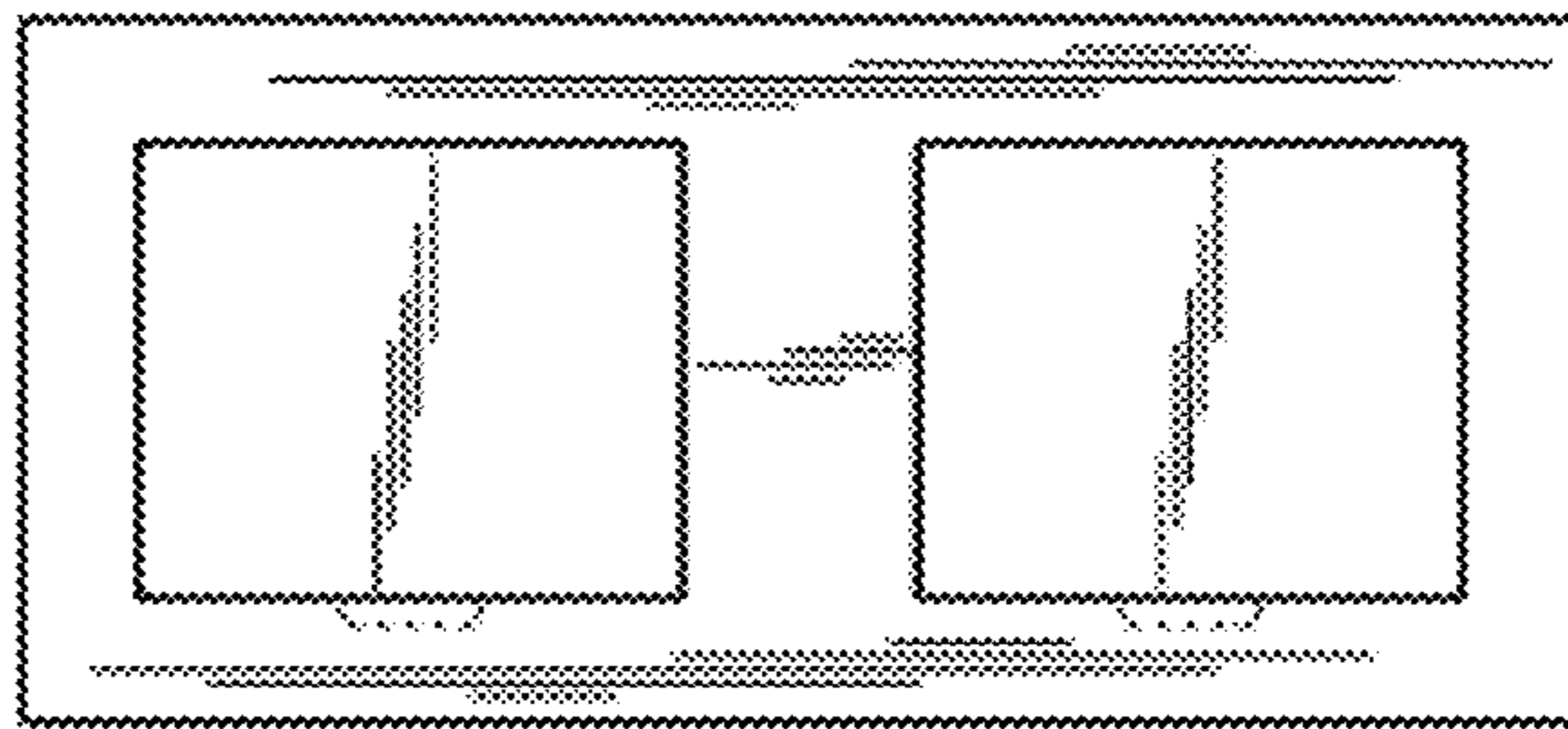


FIG. 2

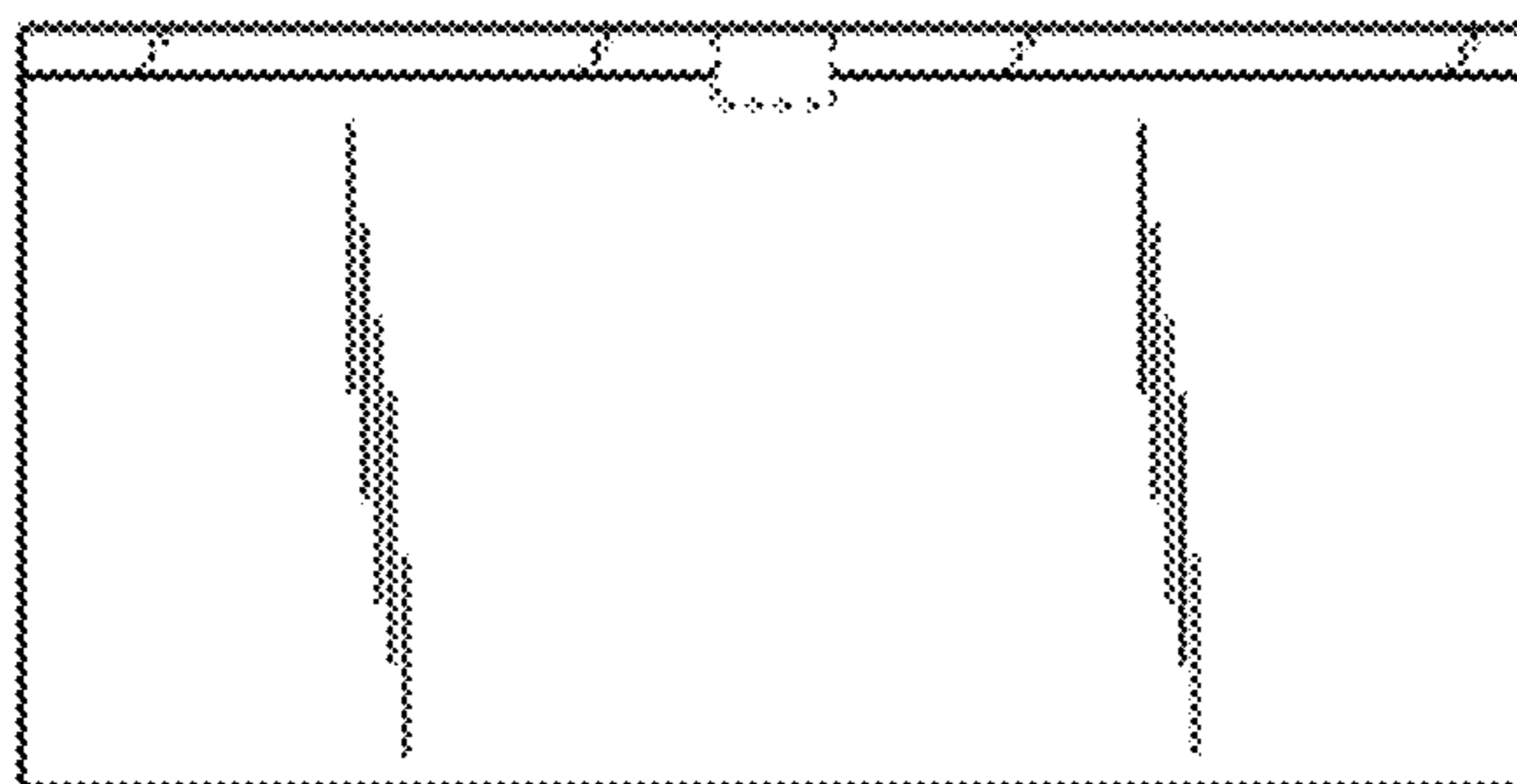


FIG. 3

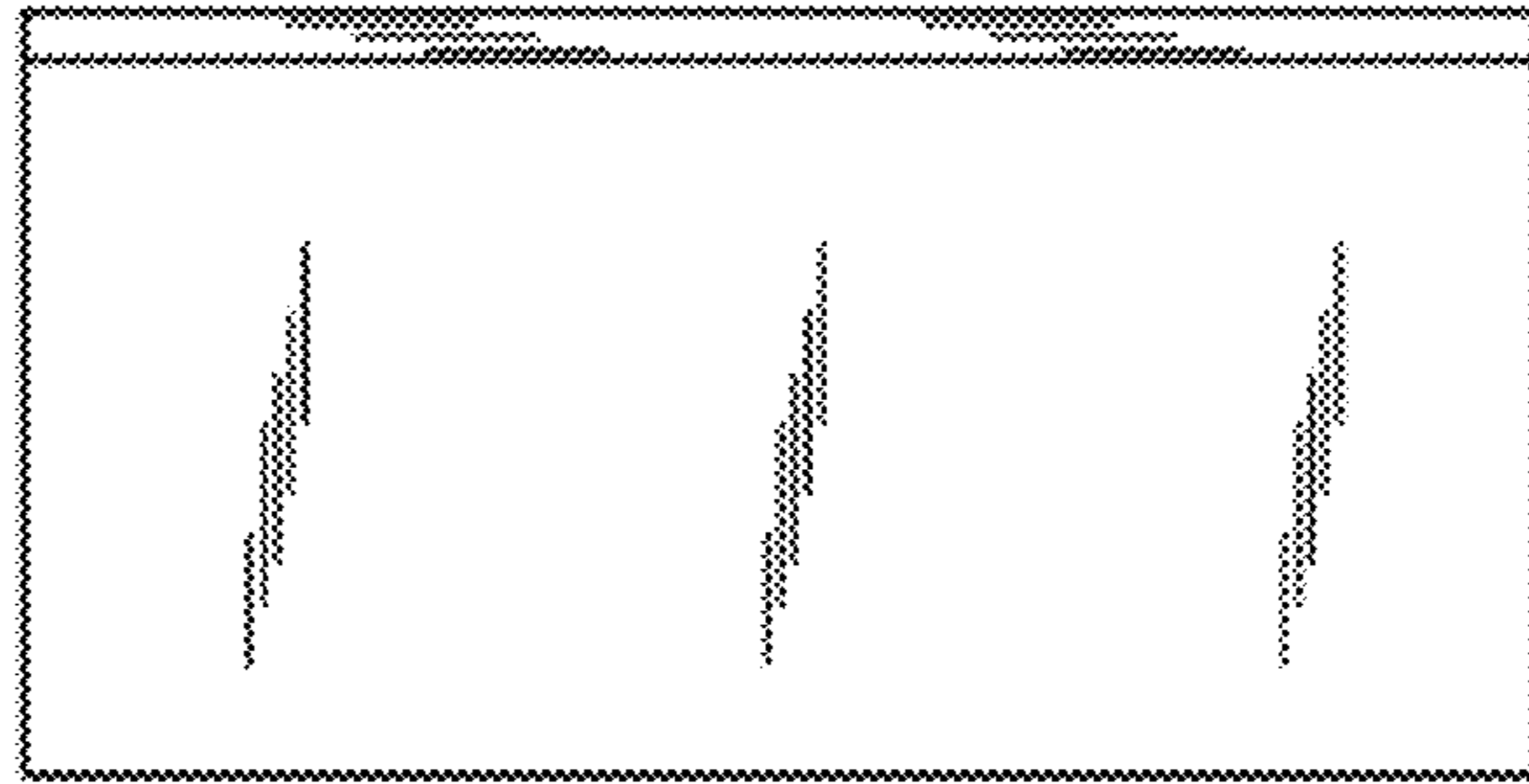


FIG. 4

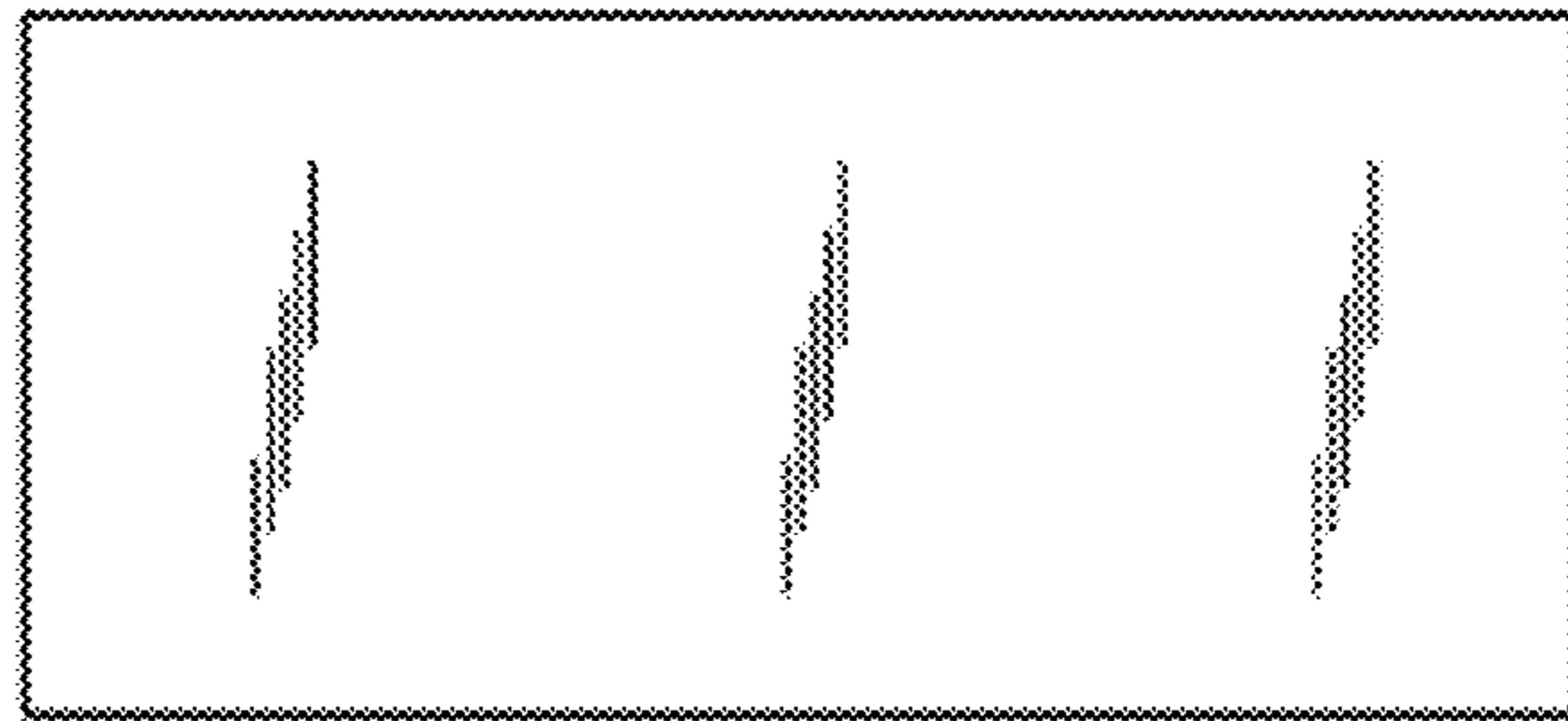
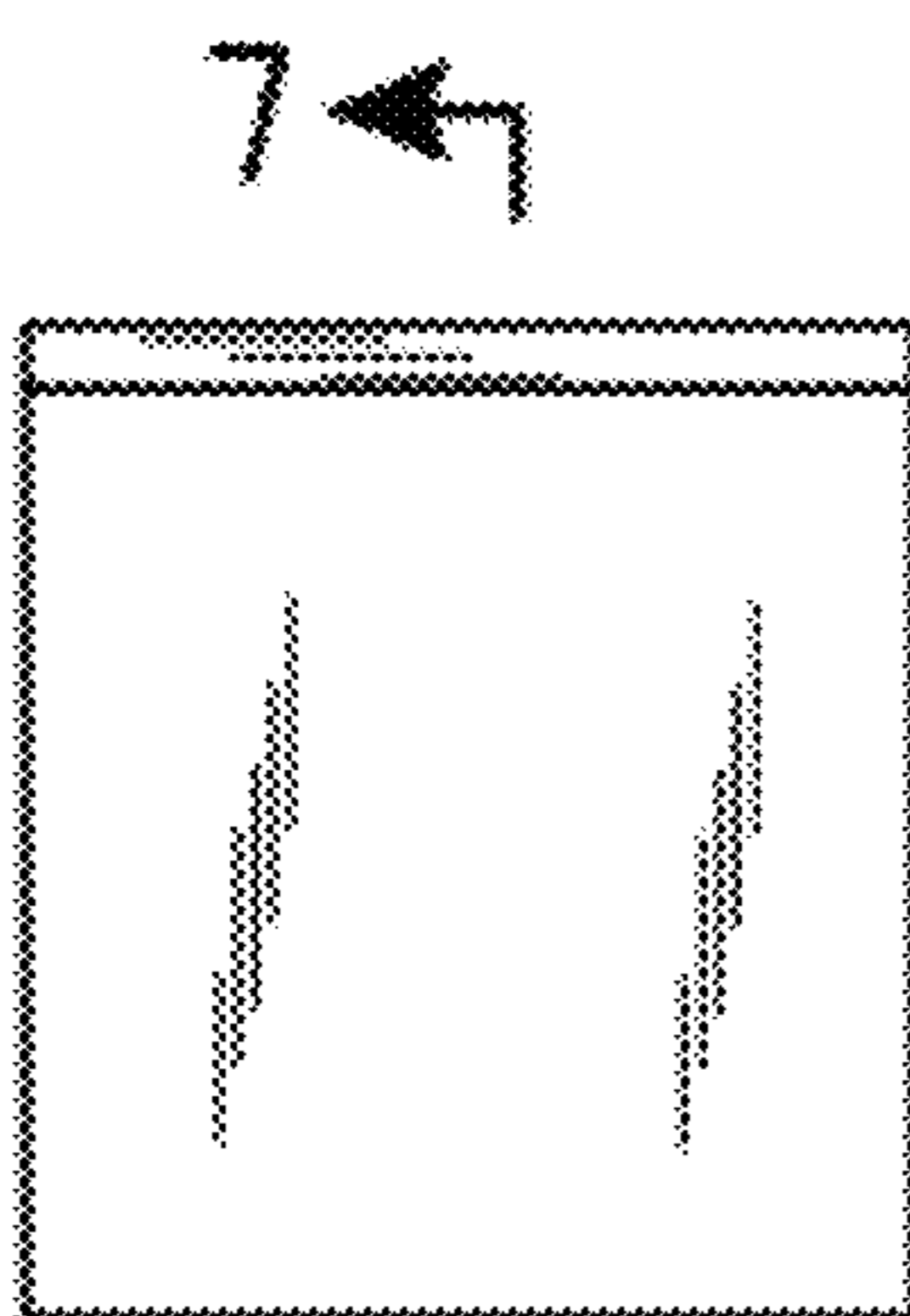
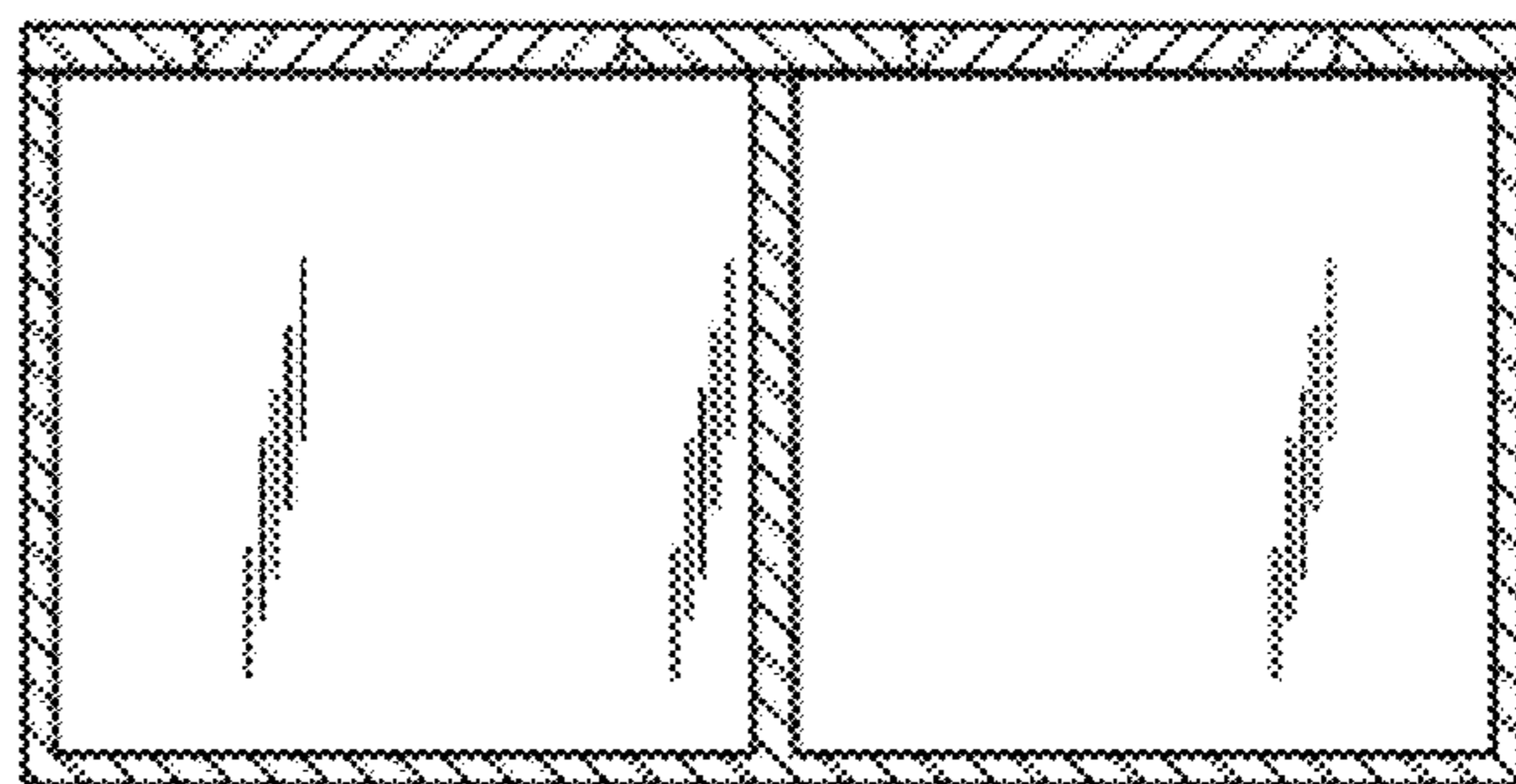


FIG. 5



7
FIG. 6



7
FIG. 7

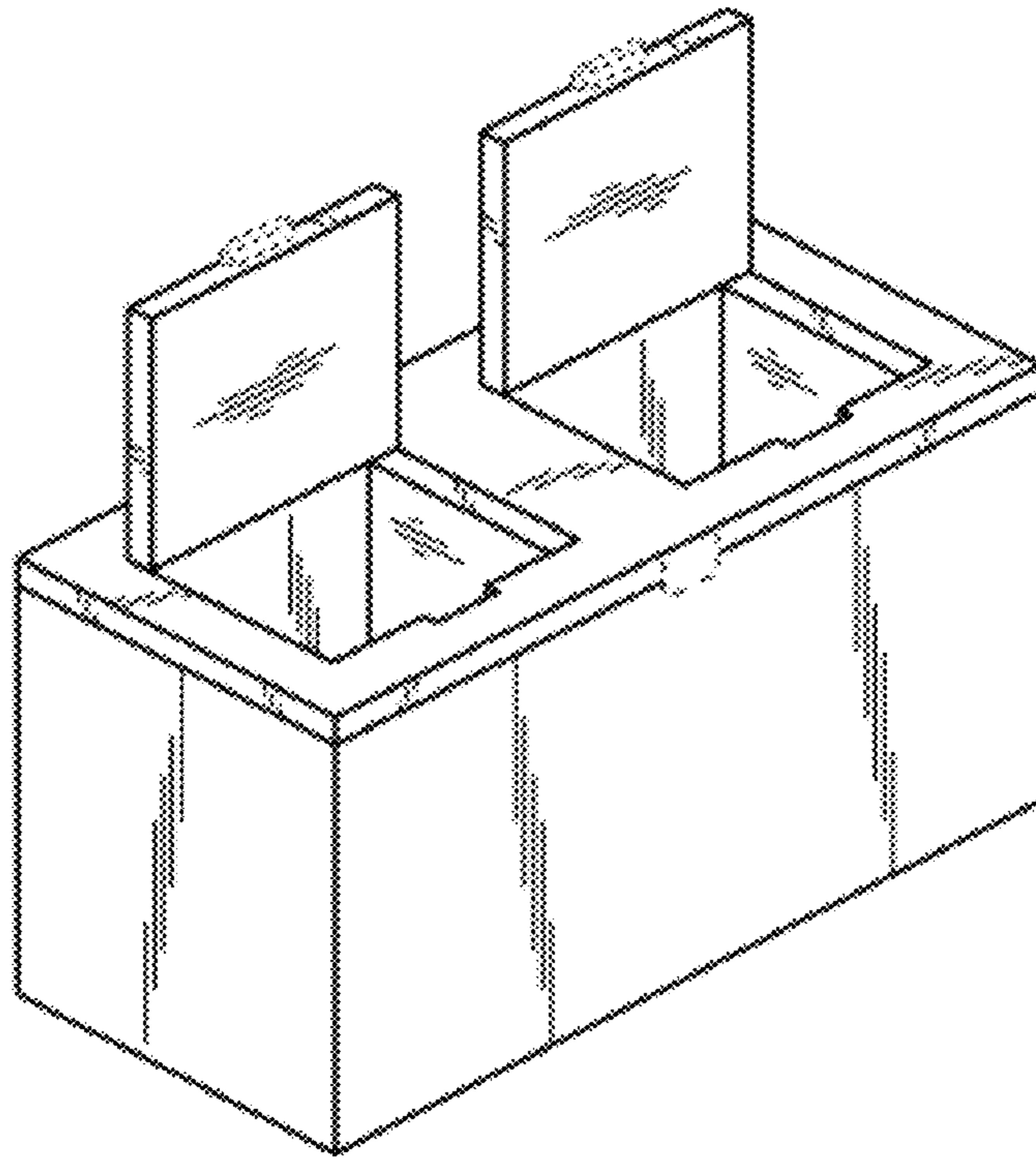


FIG. 8

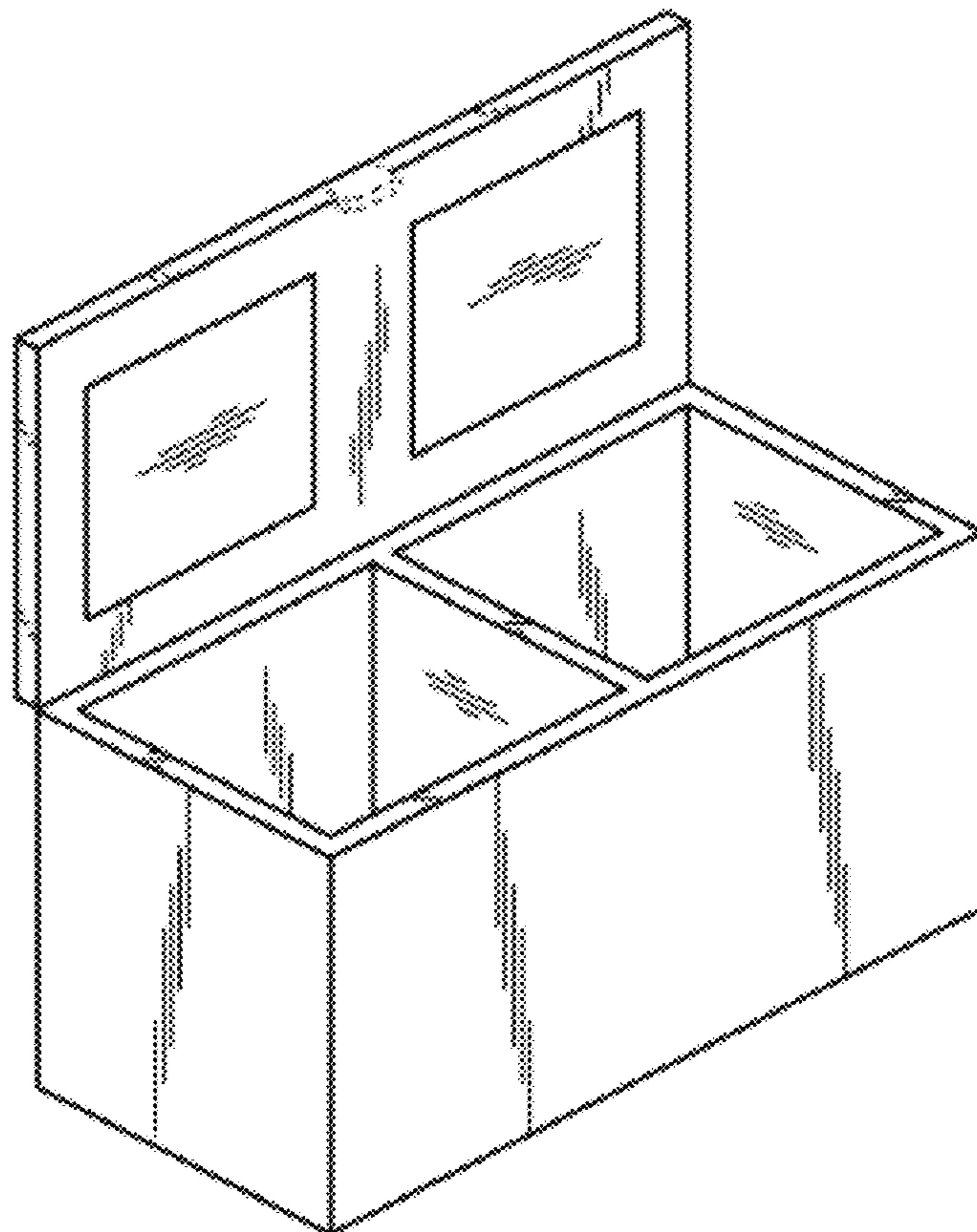


FIG. 9