



US00D658913S

(12) **United States Design Patent**
Troyner et al.

(10) **Patent No.:** **US D658,913 S**

(45) **Date of Patent:** **** May 8, 2012**

(54) **SHELF SUPPORT BEAM**

(76) Inventors: **Anthony J Troyner**, Shorewood, IL (US); **Antonio Luis Escalante**, Chicago, IL (US); **David J Wojtowicz**, Orland Park, IL (US); **Mitchell Liss**, Northbrook, IL (US)

(**) Term: **14 Years**

(21) Appl. No.: **29/404,726**

(22) Filed: **Oct. 25, 2011**

(51) **LOC (9) Cl.** **06-02**

(52) **U.S. Cl.** **D6/511**

(58) **Field of Classification Search** D6/396,

D6/491-492, 509-511; D25/119, 125-126;

248/441.1, 469, 473; 211/94.01; D8/380-381,

D8/356; 52/223.8, 649.2, 650.1

See application file for complete search history.

(56) **References Cited**

U.S. PATENT DOCUMENTS

D270,550	S	*	9/1983	Sax	D20/43
4,825,529	A	*	5/1989	Sawada et al.	29/897.3
D357,407	S	*	4/1995	Pate	D8/381
D395,816	S	*	7/1998	Colodny	D8/356
D421,067	S	*	2/2000	Weiller	D20/43
D470,926	S	*	2/2003	Knight	D23/267
D482,404	S	*	11/2003	McIlvaine	D20/43
D486,676	S	*	2/2004	Campbell et al.	D6/491
D490,260	S	*	5/2004	Bowen	D6/511
D537,325	S	*	2/2007	Wolff et al.	D8/381
D537,326	S	*	2/2007	Wolff et al.	D8/381
D542,421	S	*	5/2007	Dempsey et al.	D25/122
D552,975	S	*	10/2007	Ahlund	D8/381
D576,526	S	*	9/2008	McBain	D12/162
D584,941	S	*	1/2009	Broehl et al.	D8/377
D592,938	S	*	5/2009	Pae et al.	D8/356
D594,386	S	*	6/2009	Jorgensen et al.	D12/106
D595,069	S	*	6/2009	Berry et al.	D6/491
D597,353	S	*	8/2009	Liss et al.	D6/511
D600,362	S	*	9/2009	Geffe	D25/126
D600,826	S	*	9/2009	Ratanasiriwilai	D25/121
D602,764	S	*	10/2009	Pae et al.	D8/356
D604,537	S	*	11/2009	Liss et al.	D6/511

7,625,467	B2	*	12/2009	Ando et al.	202/266
D609,825	S	*	2/2010	Clarke et al.	D25/126
D618,365	S	*	6/2010	Crane	D25/121
D625,534	S	*	10/2010	Chen	D7/619.1
D626,817	S	*	11/2010	Donowho et al.	D8/356
7,874,125	B2	*	1/2011	Polk, Jr.	52/836
D633,781	S	*	3/2011	Wood	D8/381
D639,585	S	*	6/2011	Shen et al.	D6/495
D640,123	S	*	6/2011	Stearns et al.	D8/355
D647,246	S	*	10/2011	Chadwick	D26/138
2006/0175274	A1	*	8/2006	Yang	211/94.01

* cited by examiner

Primary Examiner — Elizabeth Albert

Assistant Examiner — Kelley Donnelly

(74) *Attorney, Agent, or Firm* — Wood, Herron & Evans, LLP

(57) **CLAIM**

The ornamental design for a shelf support beam, as shown and described.

DESCRIPTION

FIG. 1 is an isometric view of the shelf support beam of my new design;

FIG. 2 is a front isometric view thereof;

FIG. 3 is a rear isometric view thereof;

FIG. 4 is a front elevational view thereof;

FIG. 5 is a rear elevational view thereof;

FIG. 6 is a top plan view thereof;

FIG. 7 is a bottom view thereof;

FIG. 8 is a left side elevational view thereof, the right side elevational view being a mirror image;

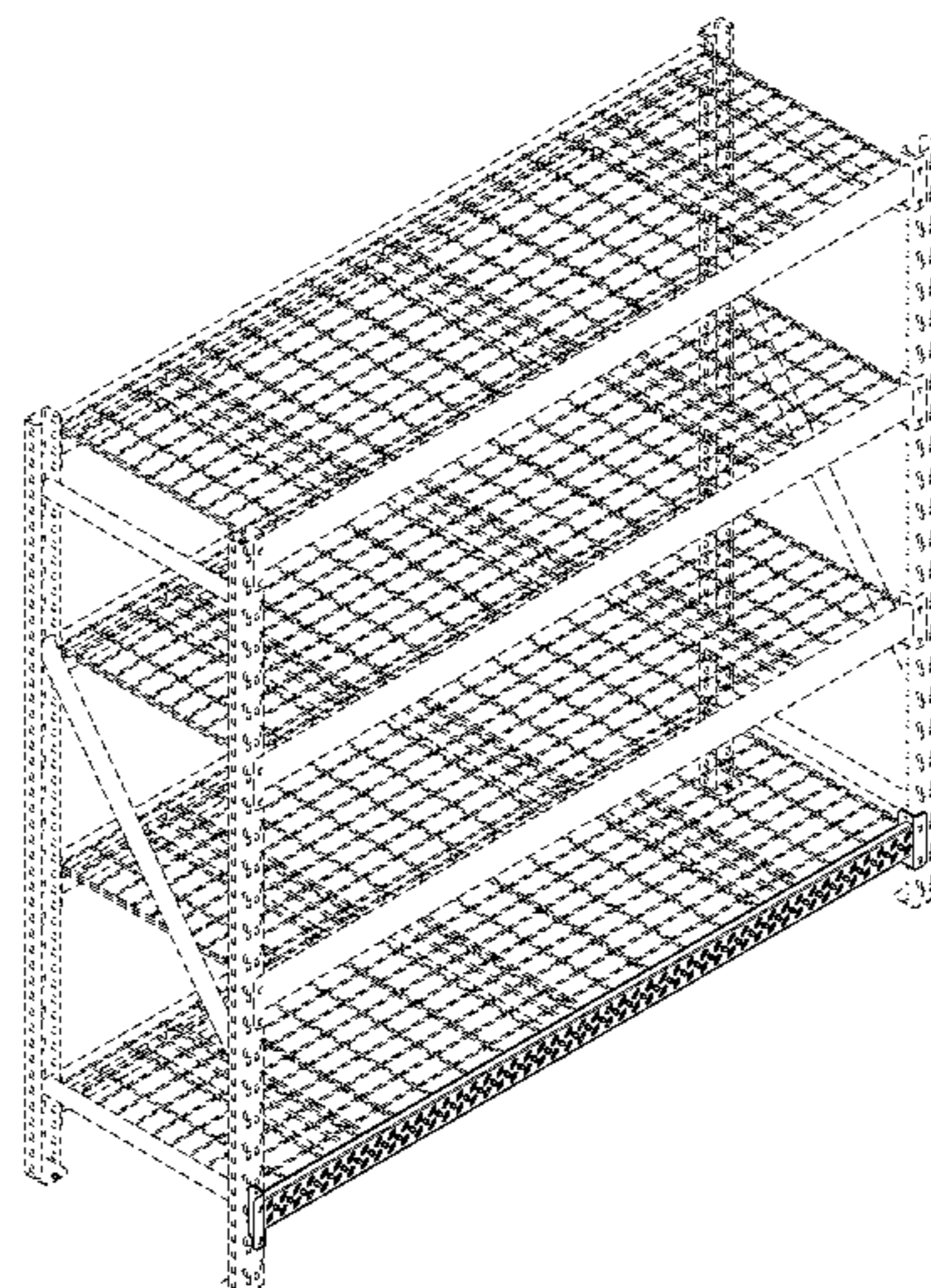
FIG. 9 is a cross sectional view of a portion of FIG. 2; and,

FIG. 10 is a rear cross section view of FIG. 9.

The broken lines showing is included for the purpose of illustrating environment and forms no part of the claimed design.

The diagonal lines illustrated on the end of the enlarged portion of the “shelf support beam” in FIG. 9 represents a cross-sectional view and does not form part of the claimed design.

1 Claim, 6 Drawing Sheets



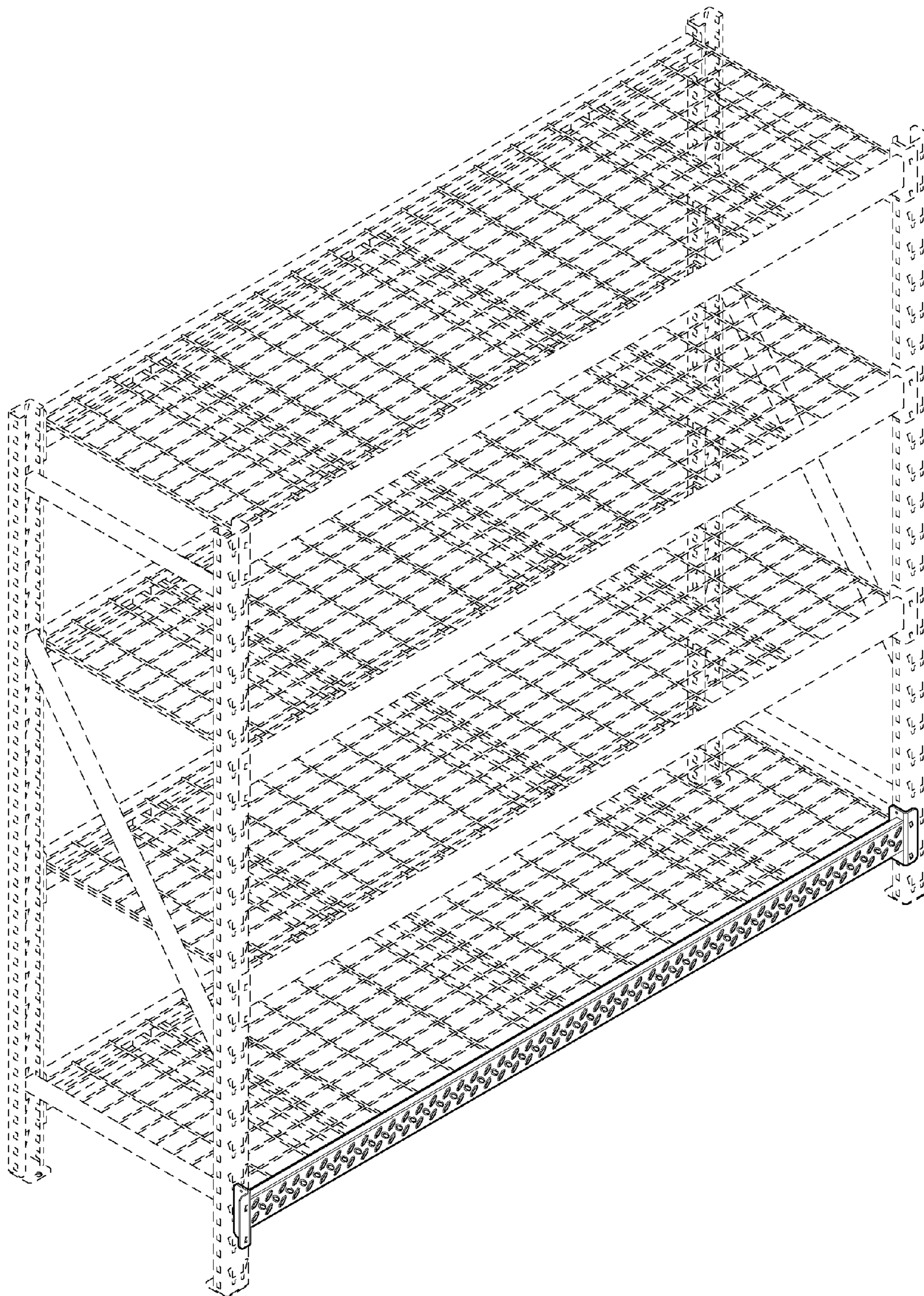


FIG. 1

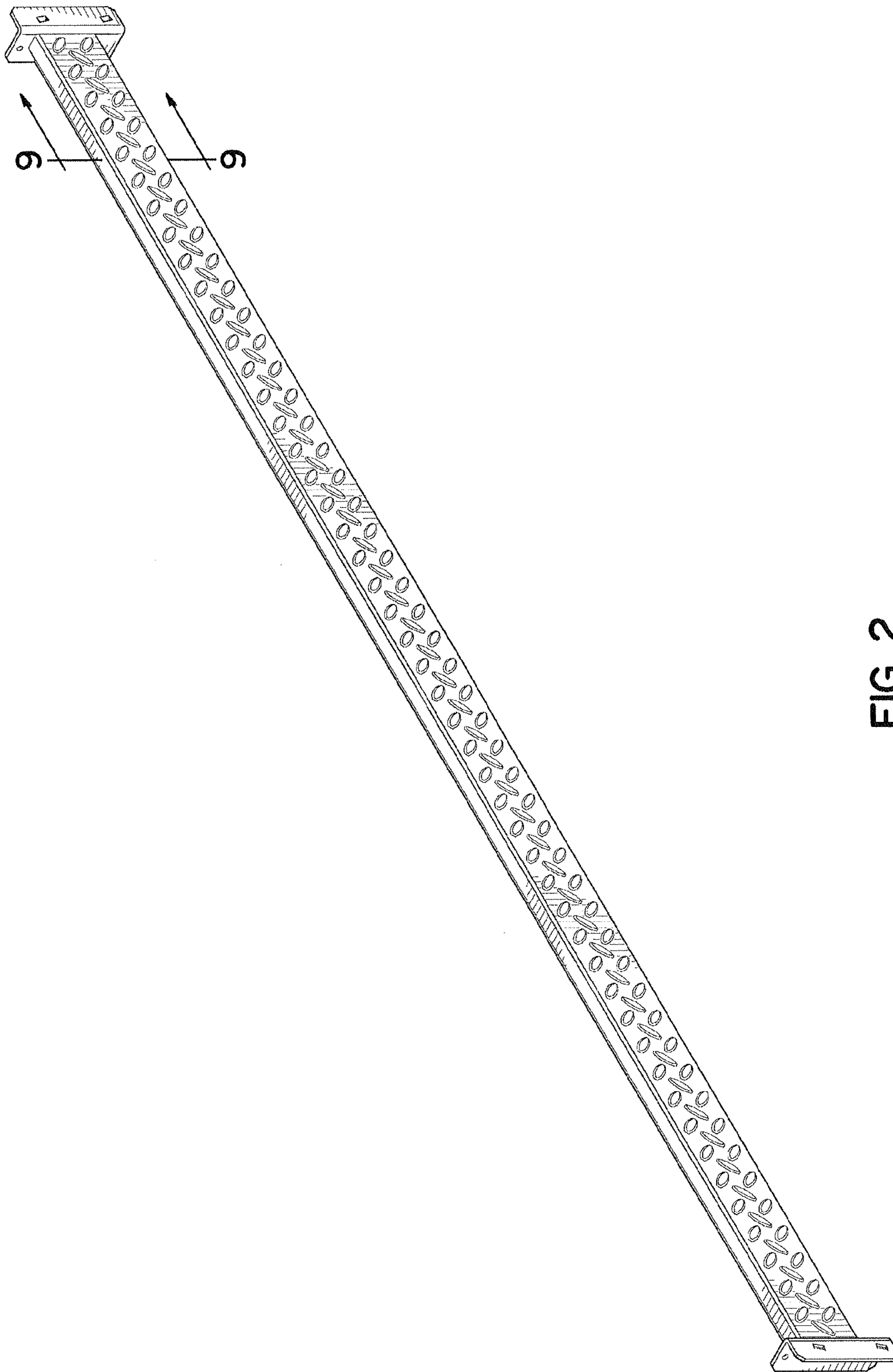


FIG. 2

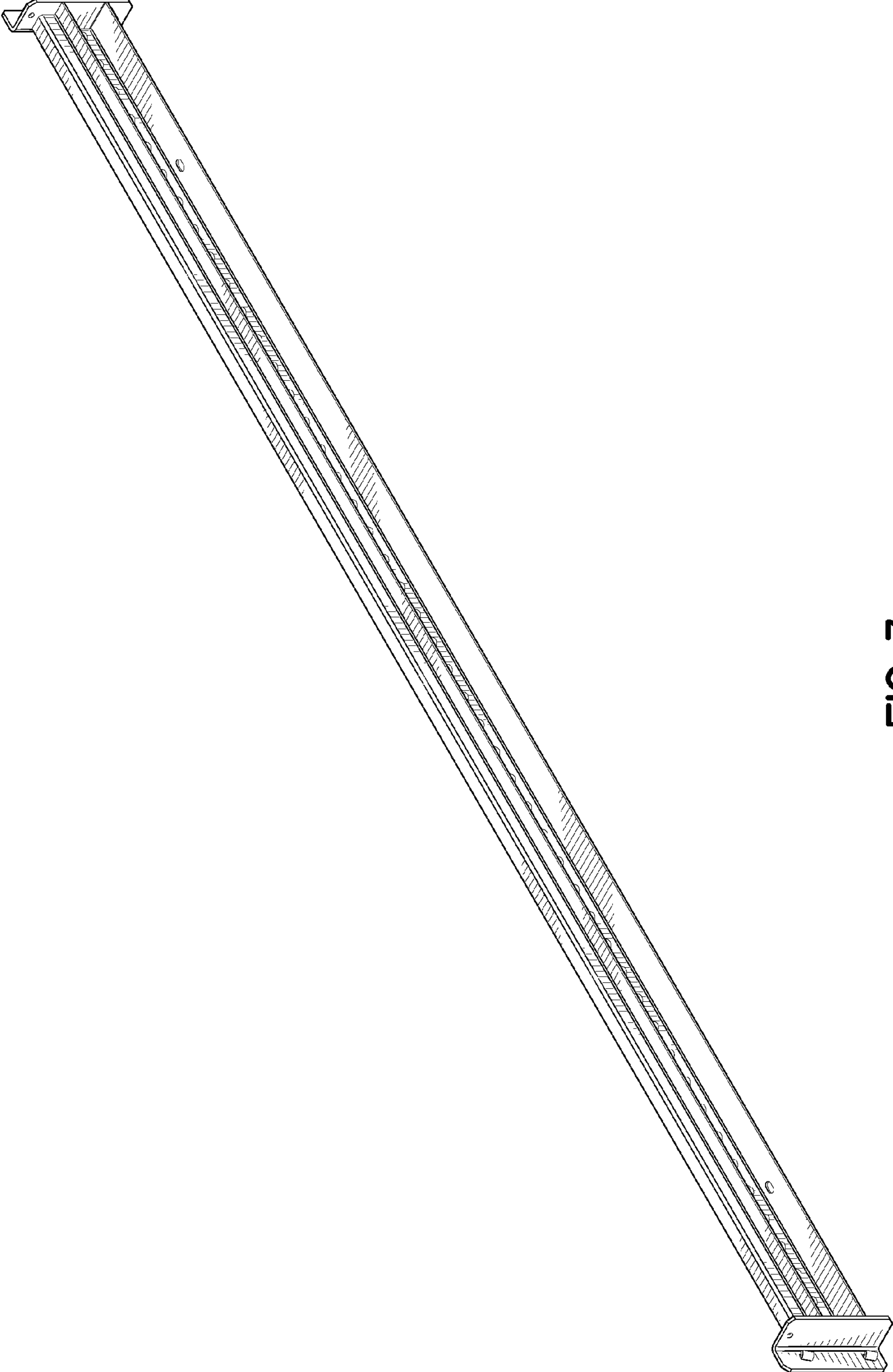


FIG. 3

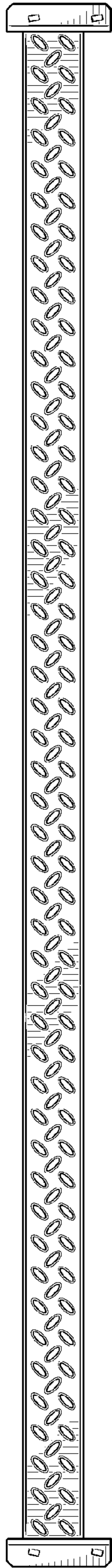


FIG. 4

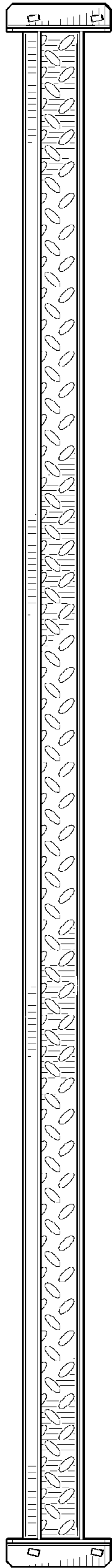


FIG. 5

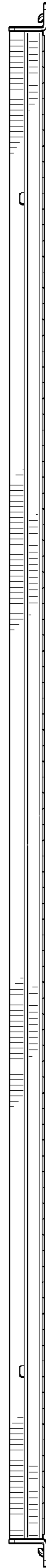


FIG. 6

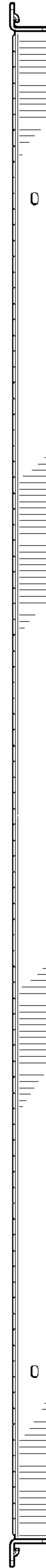


FIG. 7

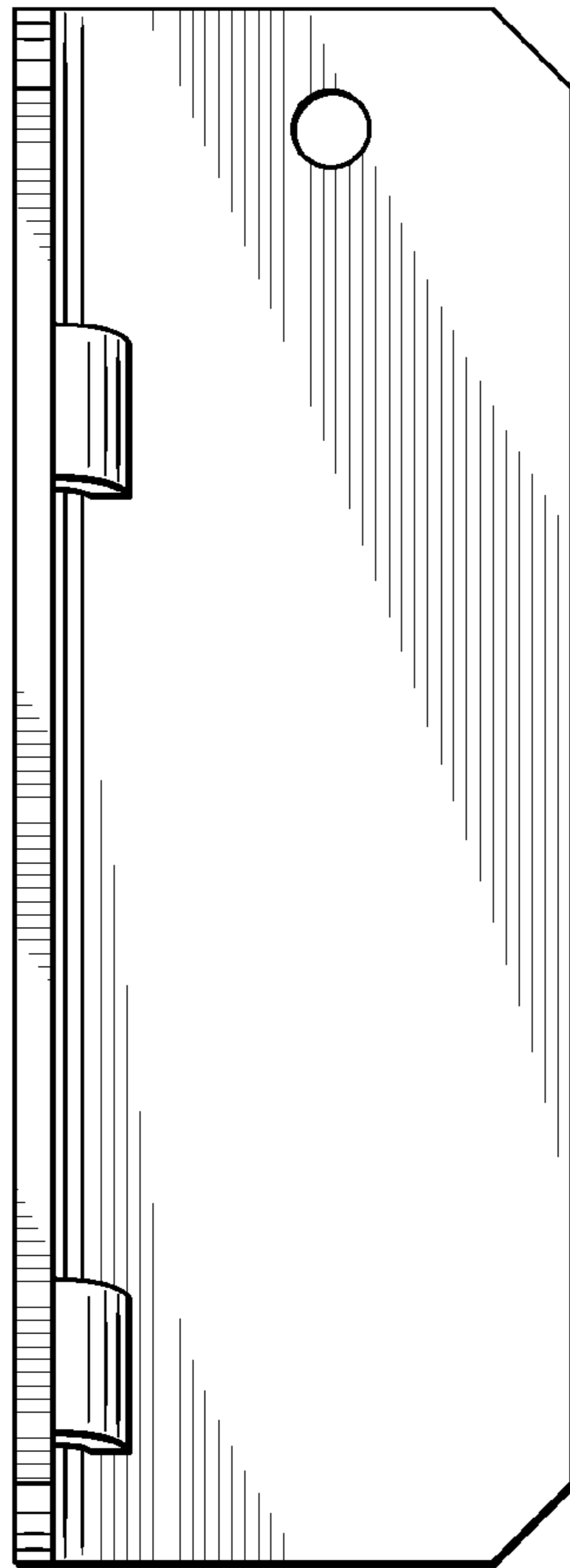


FIG. 8

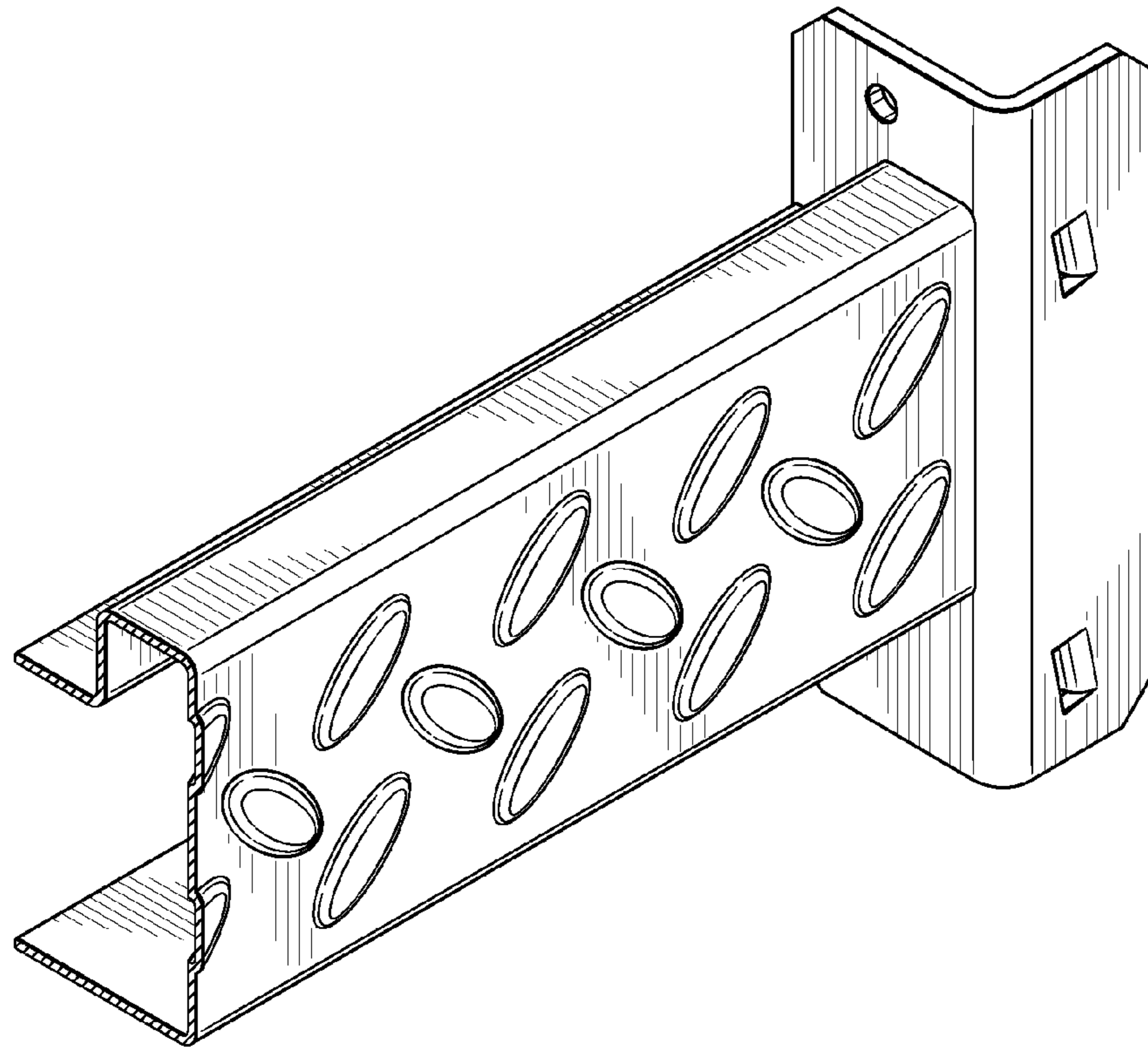


FIG. 9

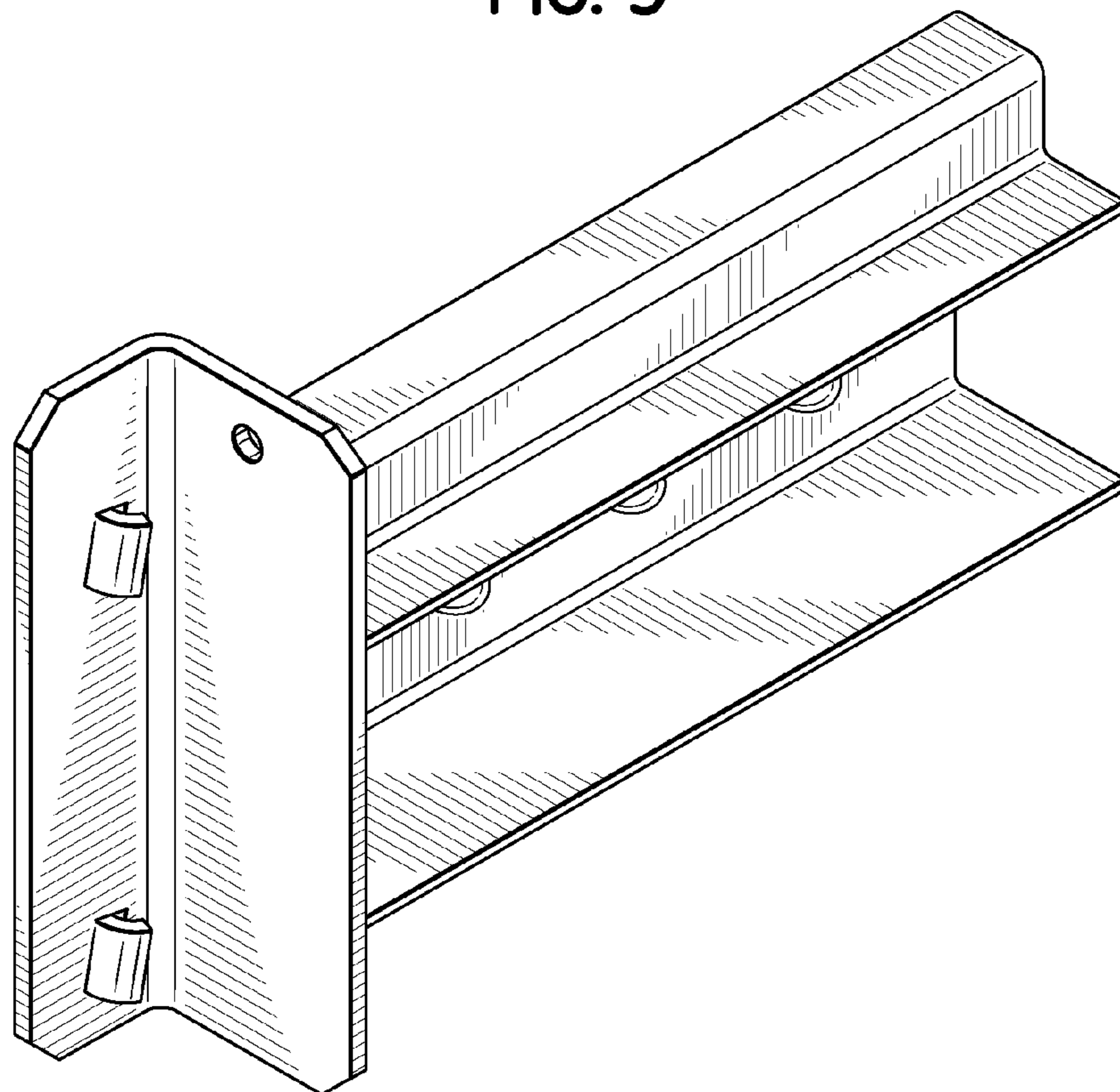


FIG. 10