



US00D658911S

(12) **United States Design Patent**  
**Jeanty**

(10) **Patent No.:** **US D658,911 S**

(45) **Date of Patent:** **\*\* May 8, 2012**

(54) **TABLE BASE**

(76) Inventor: **Yves Jeanty**, Highland Park, IL (US)

(\*\*) Term: **14 Years**

(21) Appl. No.: **29/374,752**

(22) Filed: **Sep. 30, 2011**

(51) **LOC (9) Cl.** ..... **06-06**

(52) **U.S. Cl.** ..... **D6/499**

(58) **Field of Classification Search** ..... D6/480-489,  
D6/495-499, 429, 450, 451, 349, 361, 387,  
D6/462, 382; 108/150, 153.1, 156, 157,  
108/161; 248/188, 118.1, 188.5, 188.7, 188.8;  
5/123

See application file for complete search history.

(56) **References Cited**

**U.S. PATENT DOCUMENTS**

D97,716 S \* 12/1935 Rideout ..... D6/430  
D149,524 S \* 5/1948 Sundberg ..... D6/430  
D230,236 S \* 2/1974 Fear ..... D6/499

D548,572 S \* 8/2007 DeCosta ..... D8/353

\* cited by examiner

*Primary Examiner* — Janice Seeger

(74) *Attorney, Agent, or Firm* — Joseph Golant

(57) **CLAIM**

The ornamental design for a table base, as shown and described.

**DESCRIPTION**

FIG. 1 is an isometric view of the table base showing the new design;

FIG. 2 is a top plan view thereof;

FIG. 3 is a bottom plan view thereof;

FIG. 4 is a front elevation view thereof;

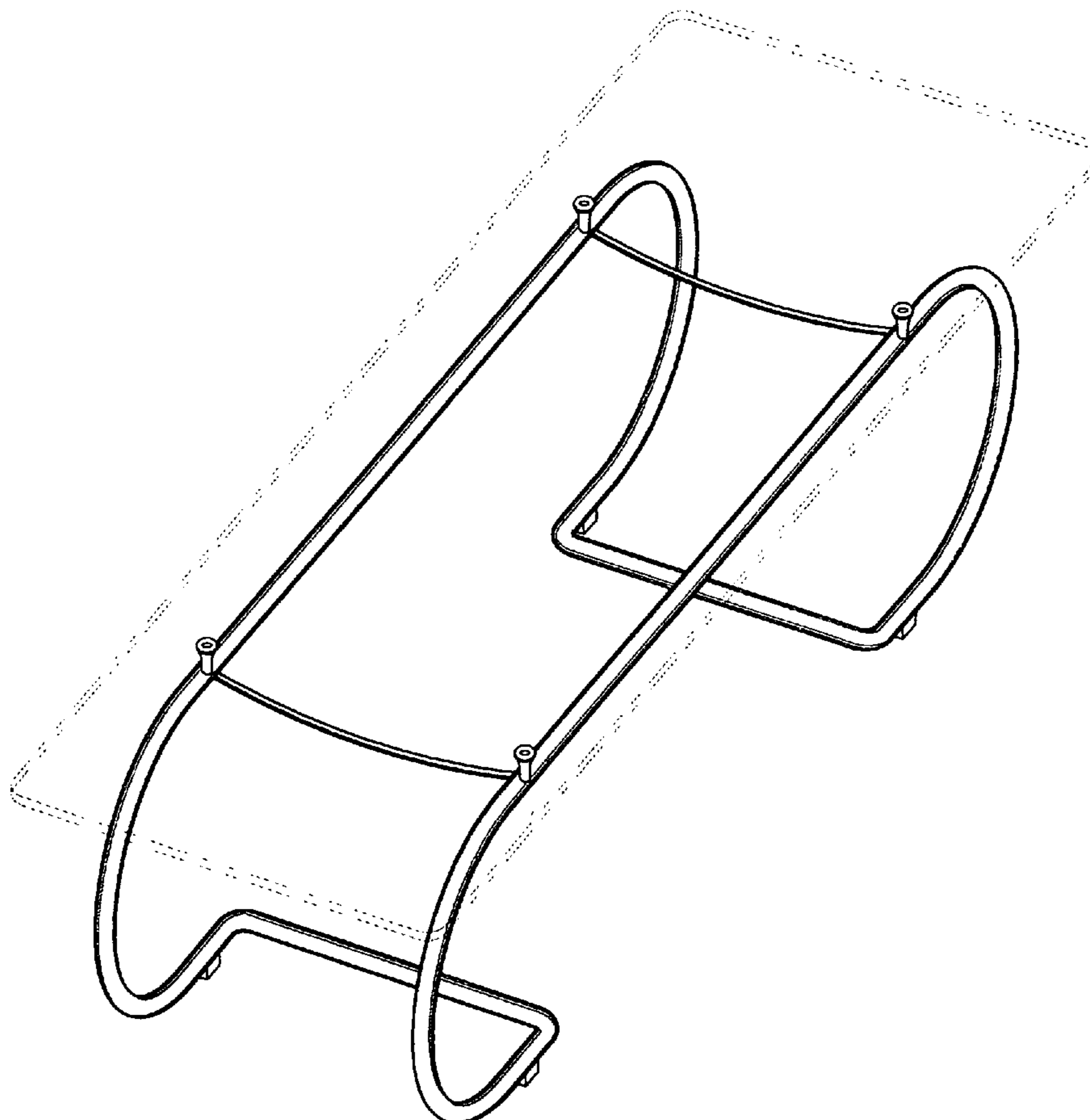
FIG. 5 is a rear elevation view thereof;

FIG. 6 is a left side elevation view thereof; and,

FIG. 7 is a right side elevation view thereof.

The broken lines shown in FIG. 1 are for illustrative purposes only and form no part of the claimed design.

**1 Claim, 4 Drawing Sheets**



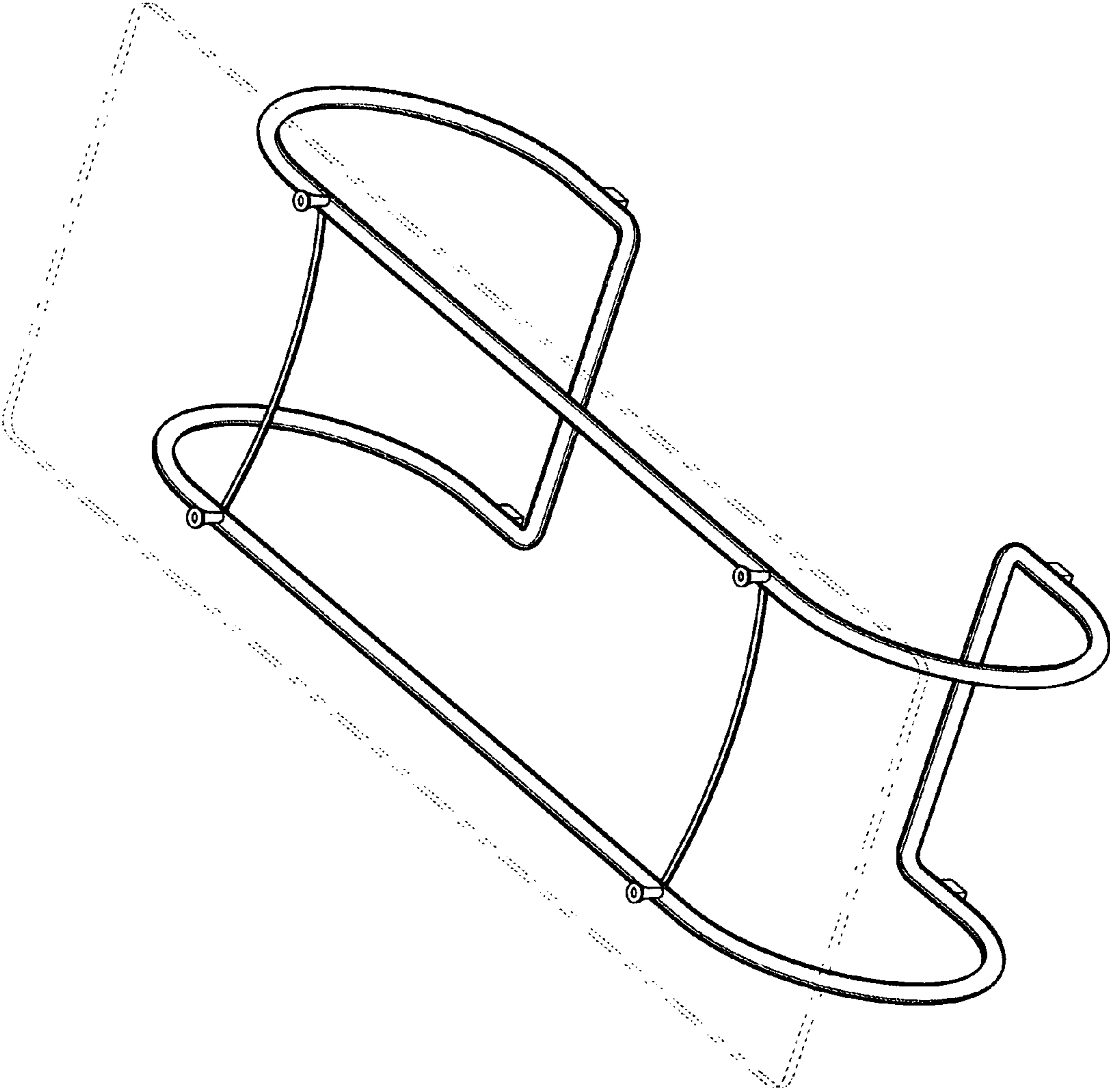


FIG. 1

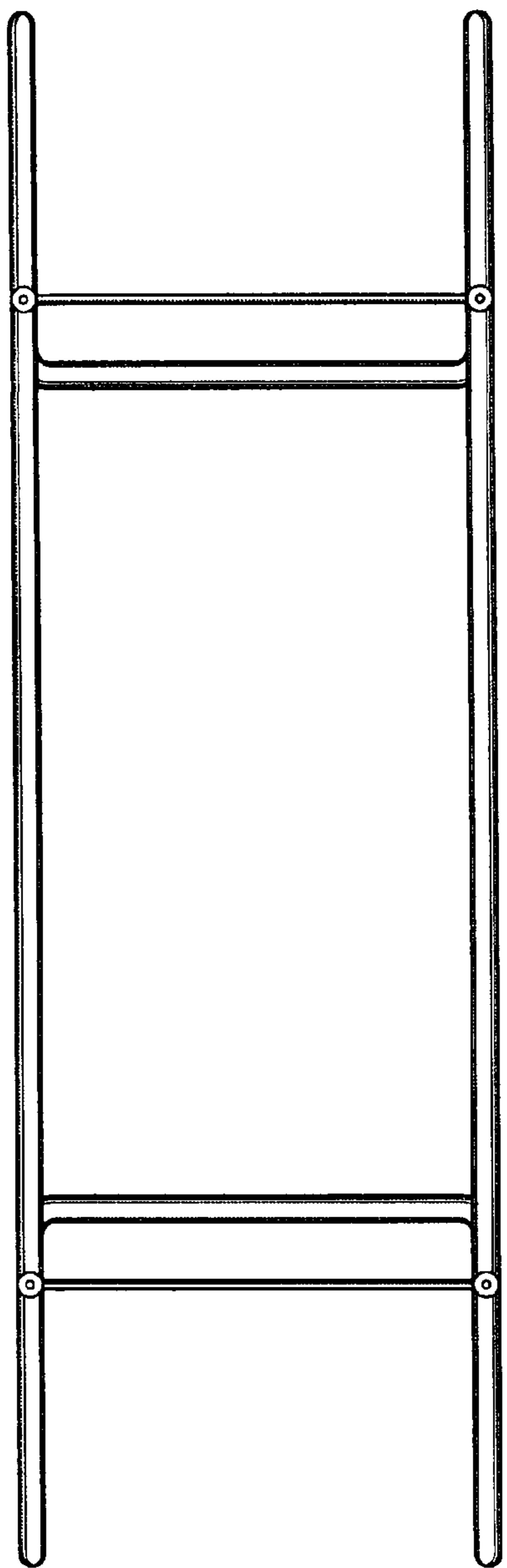


FIG. 2

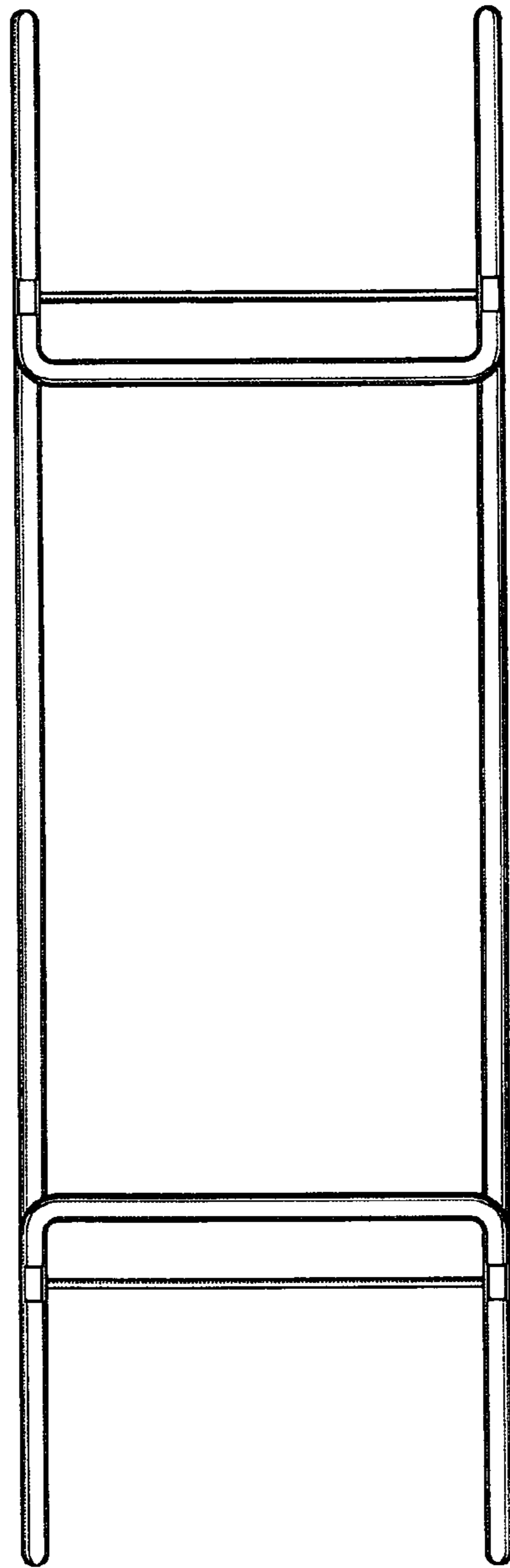


FIG. 3

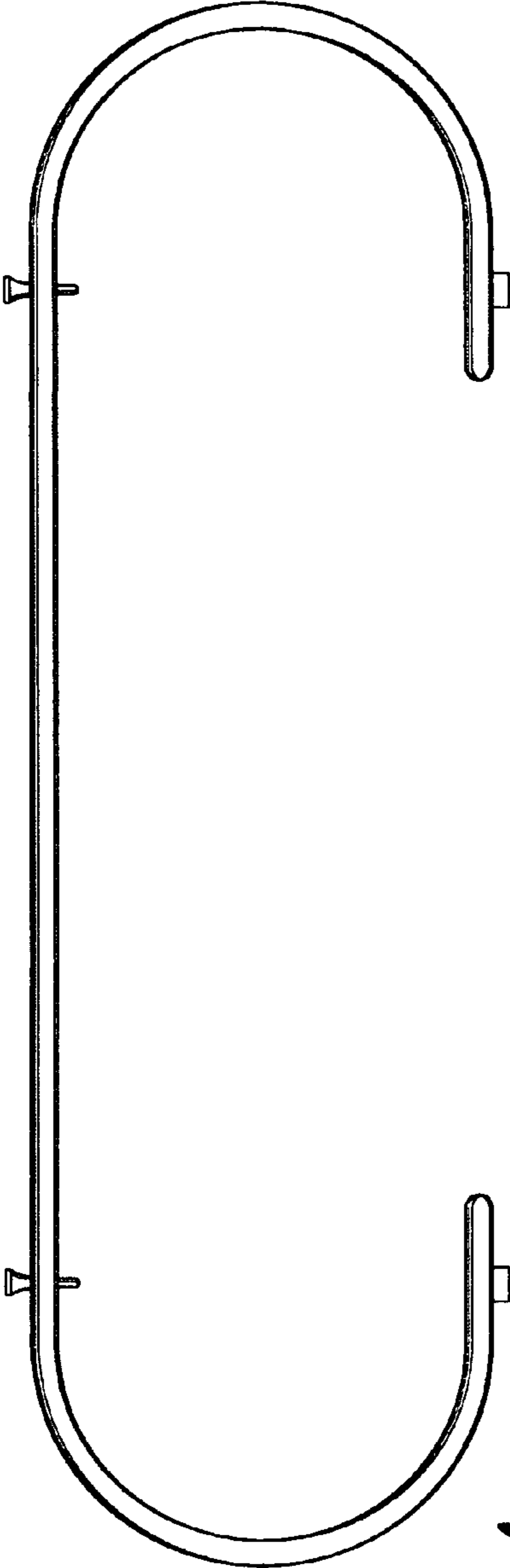


FIG. 4

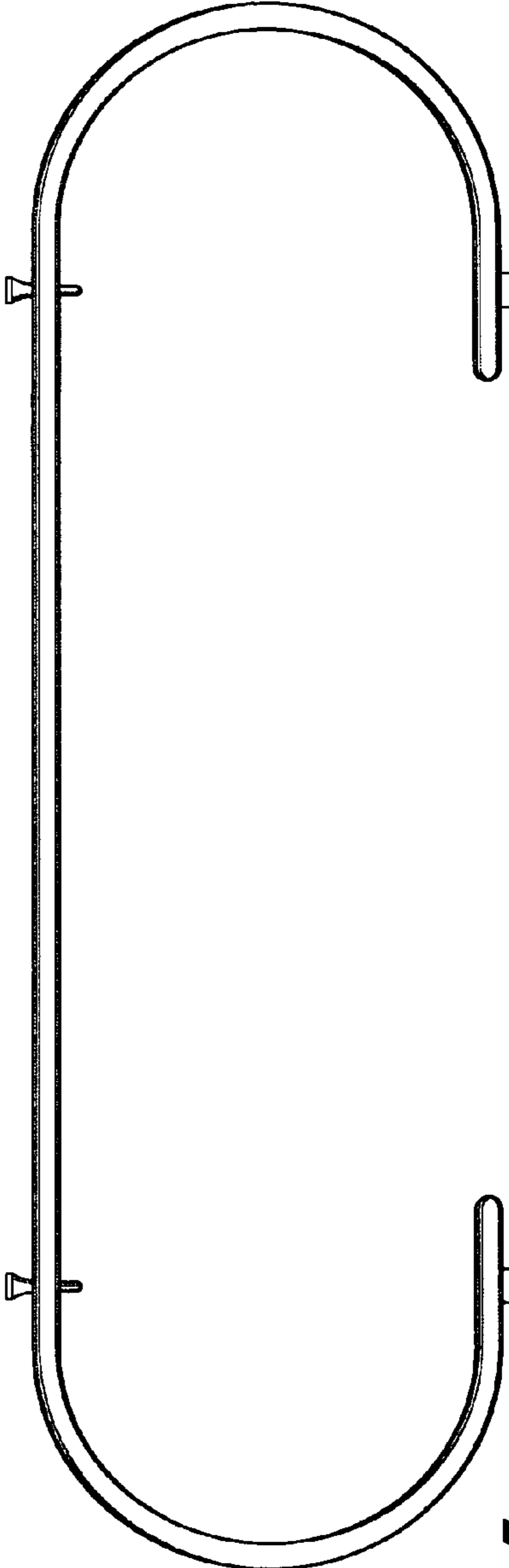


FIG. 5

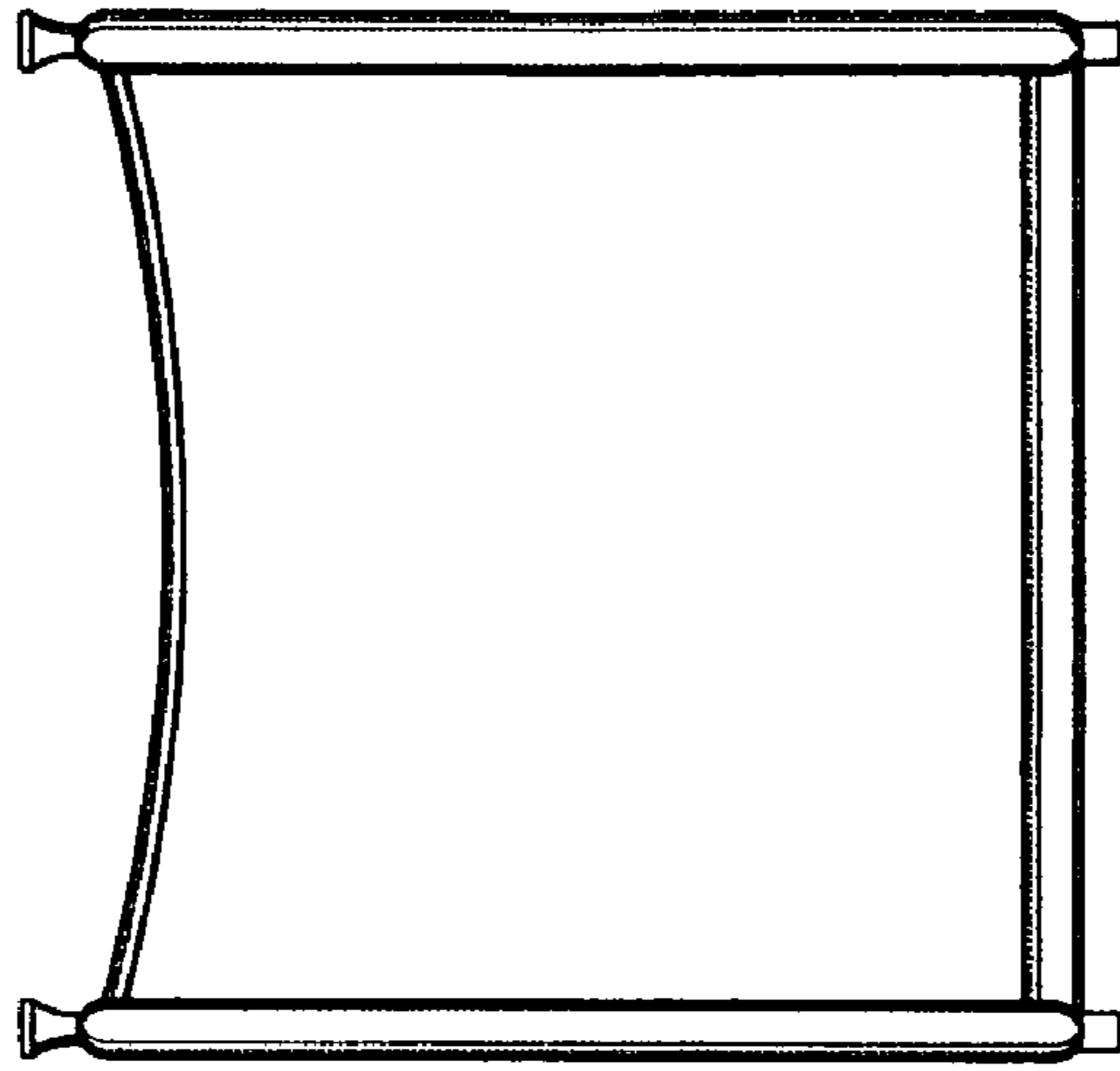


FIG. 7

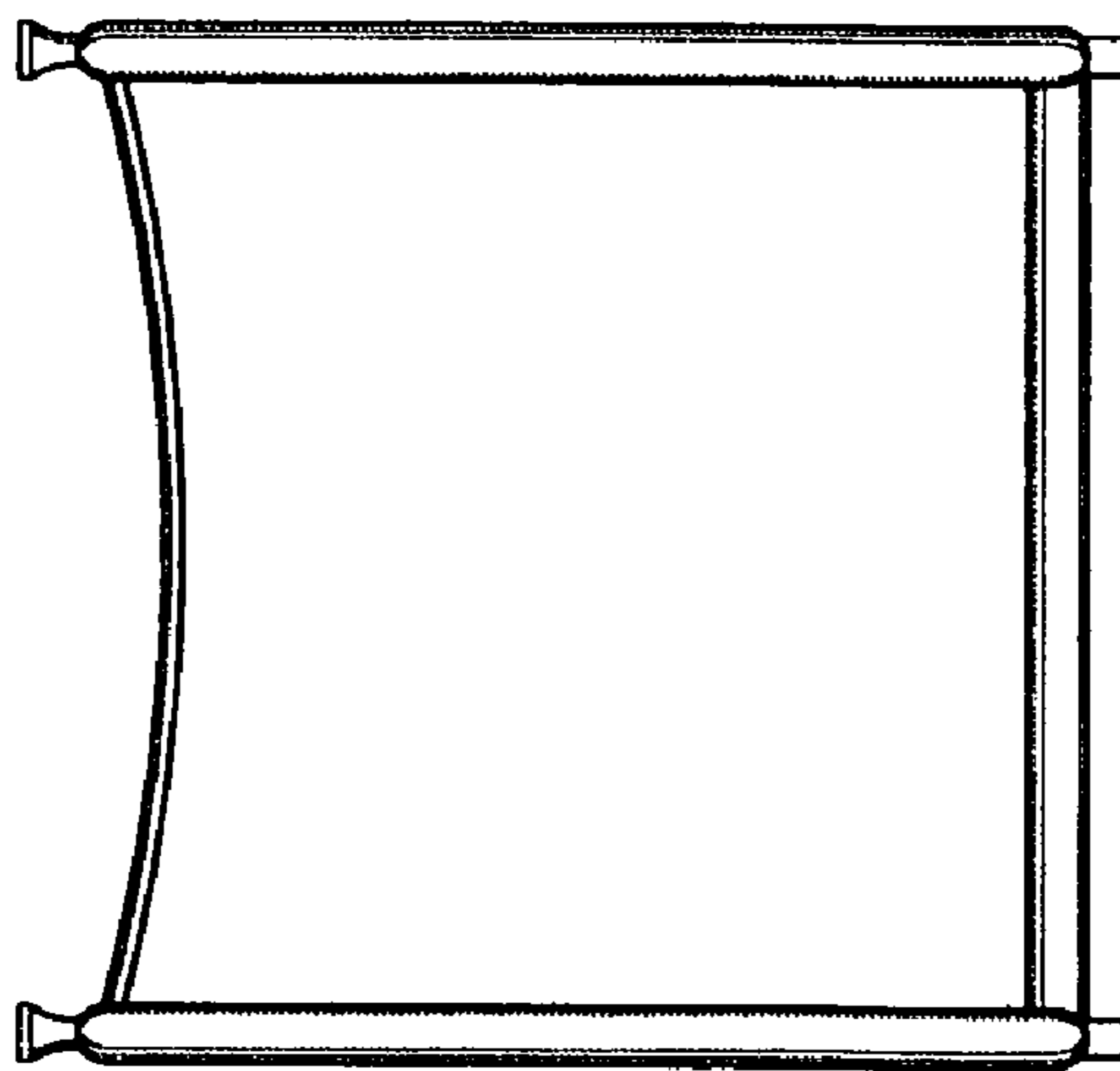


FIG. 6