



US00D658910S

(12) **United States Design Patent**
Kapp

(10) **Patent No.:** **US D658,910 S**

(45) **Date of Patent:** **** May 8, 2012**

(54) **TABLE**

7,063,024 B2 * 6/2006 Latino 108/50.01

* cited by examiner

(75) Inventor: **Dennis Kapp**, West Bloomfield, MI (US)

Primary Examiner — Janice Seeger

(73) Assignee: **Martin Universal Design, Inc.**, Detroit, MI (US)

(74) *Attorney, Agent, or Firm* — Rader, Fishman & Grauer, PLLC

(**) Term: **14 Years**

(57) **CLAIM**

The ornamental design for table, as shown and described.

(21) Appl. No.: **29/391,979**

DESCRIPTION

(22) Filed: **May 16, 2011**

(51) **LOC (9) Cl.** **06-06**

(52) **U.S. Cl.** **D6/495; D6/422**

(58) **Field of Classification Search** D6/421–427, D6/495, 496, 429; 312/194–196, 208.1, 312/239, 237; 108/50.01, 50.02, 64, 65
See application file for complete search history.

FIG. 1 is a perspective view from the right and front side of a table of the present design with a top portion of the table in a first configuration;

FIG. 2 is a perspective view from the right and front side of the table of FIG. 1, with a top portion of the table in a second configuration;

FIG. 3 is a front elevational view of the table of FIG. 1;

FIG. 4 is a rear elevational view of the table of FIG. 1;

FIG. 5 is a top plan view of the table of FIG. 1;

FIG. 6 is a bottom plan view of the table of FIG. 1;

FIG. 7 is a side elevational view of the table of FIG. 1 taken from the left side; and,

FIG. 8 is a side elevational view of the table of FIG. 1 taken from the right side.

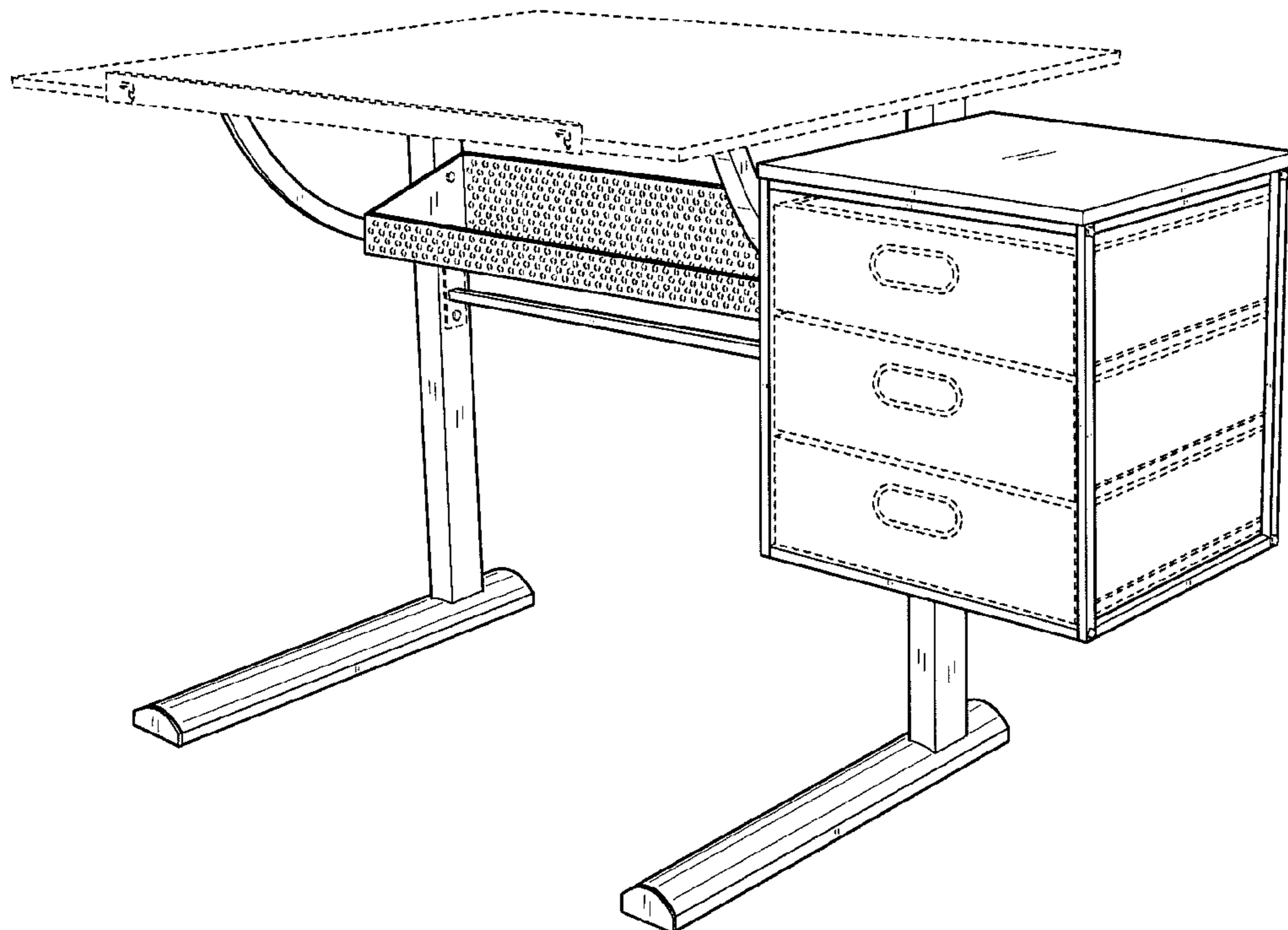
Portions of FIGS. 1-8 that are shown as broken lines are for illustrative purposes only and form no part of the claimed design.

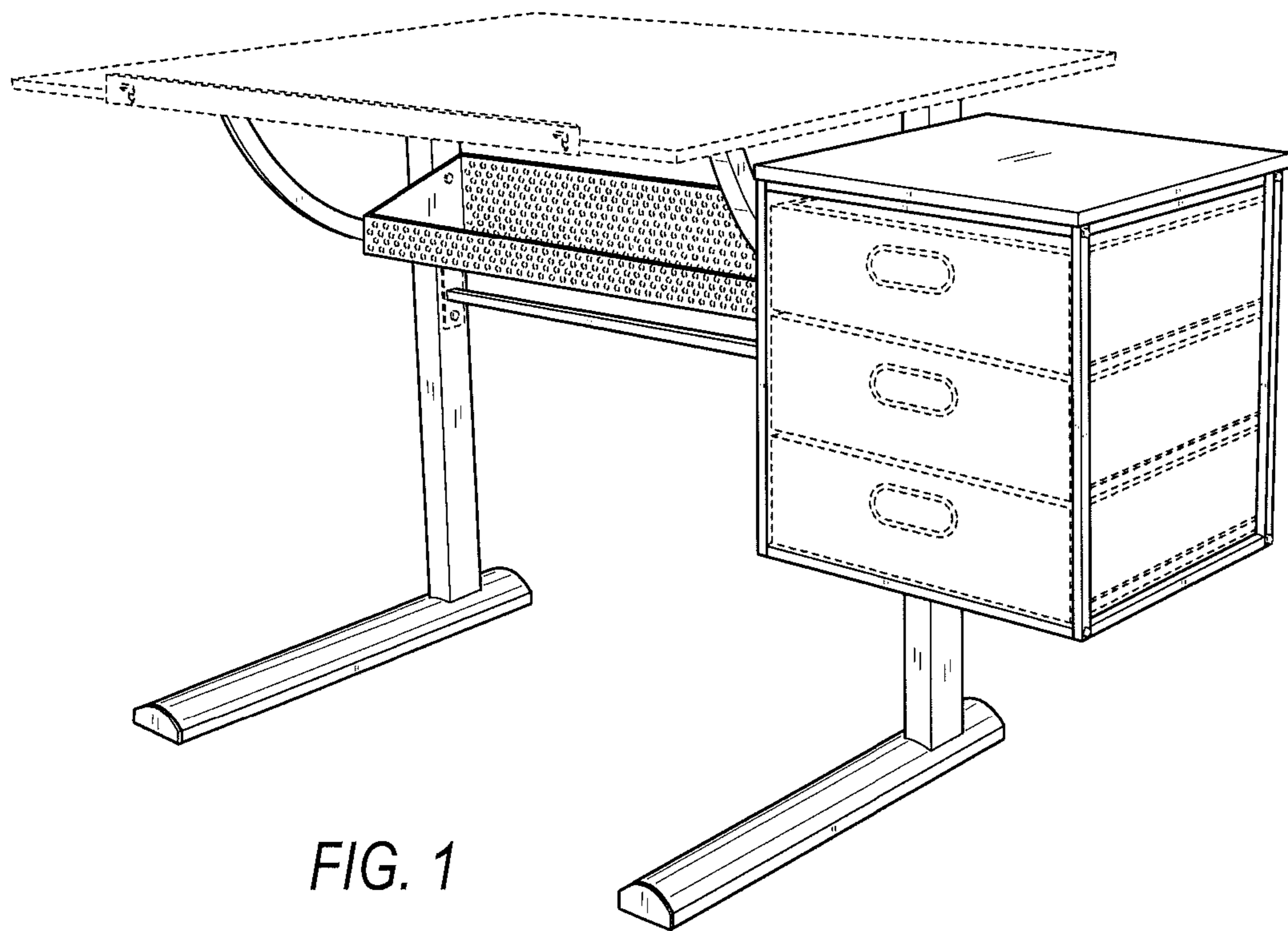
(56) **References Cited**

U.S. PATENT DOCUMENTS

D215,308 S *	9/1969	Barnes	D6/425
D249,211 S *	9/1978	Wright et al.	D6/422
D302,497 S *	8/1989	Zapf	D6/422
D319,935 S *	9/1991	Heidmann	D6/422
D516,340 S *	3/2006	Chang	D6/425

1 Claim, 8 Drawing Sheets





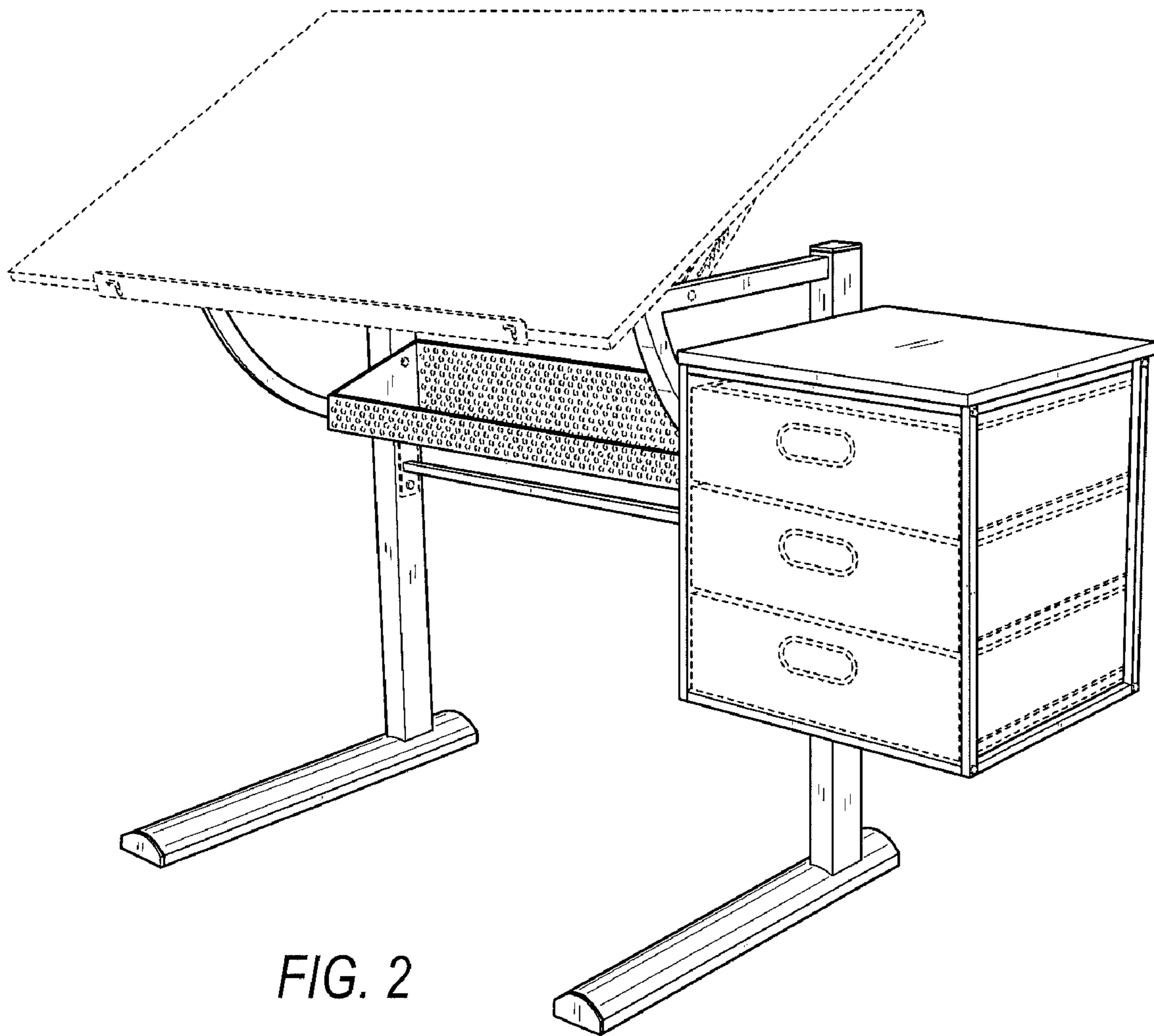


FIG. 2

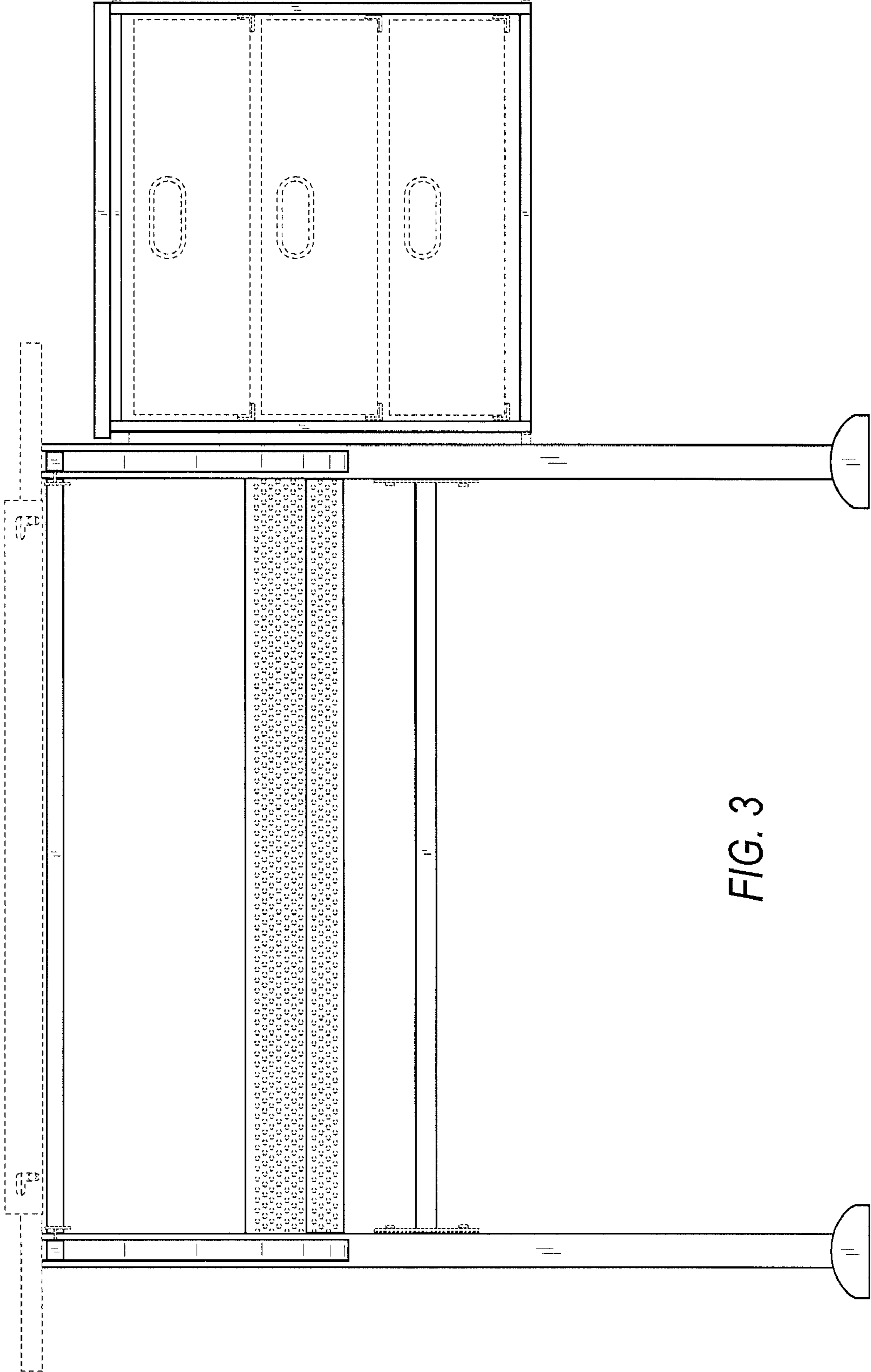


FIG. 3

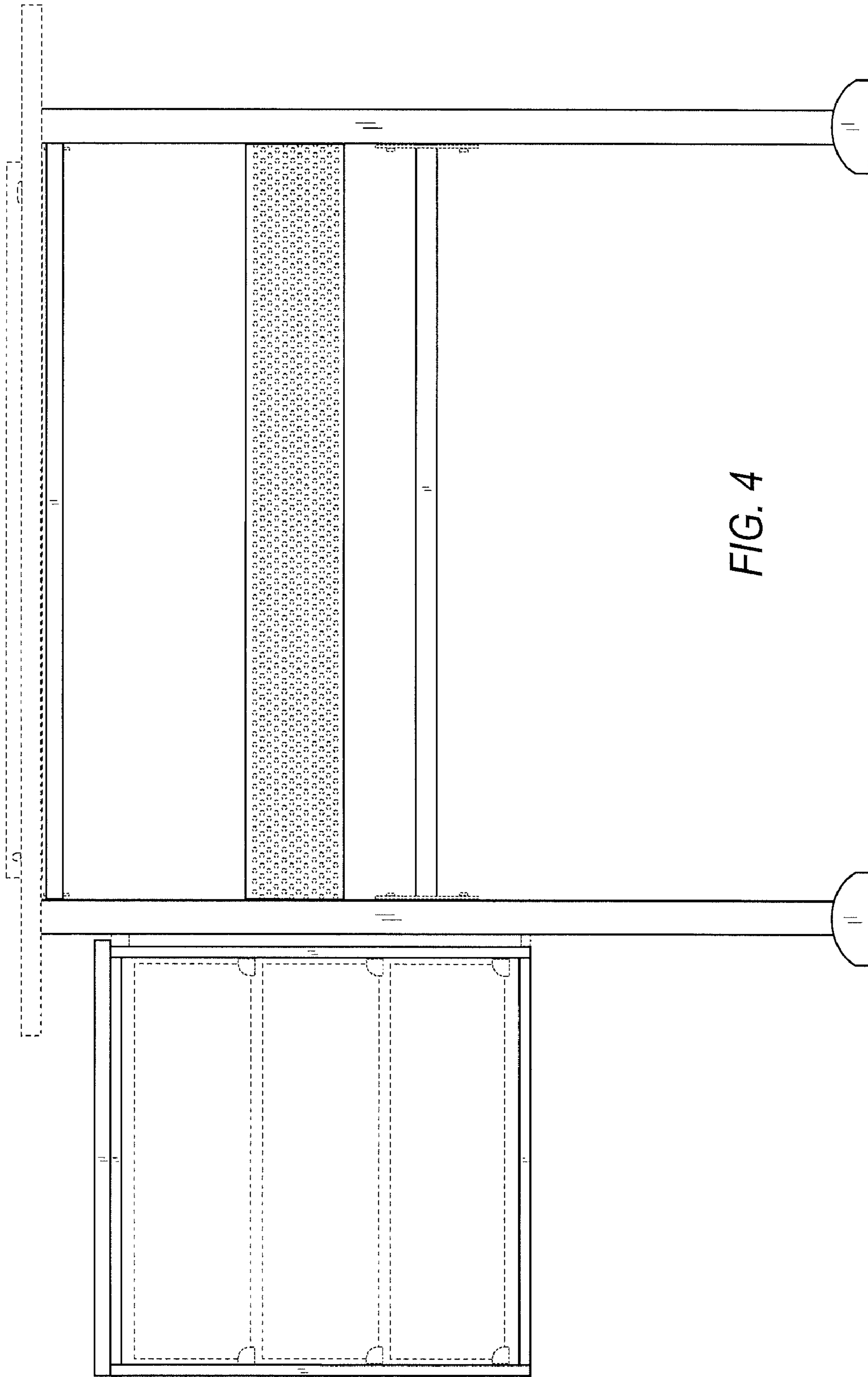


FIG. 4

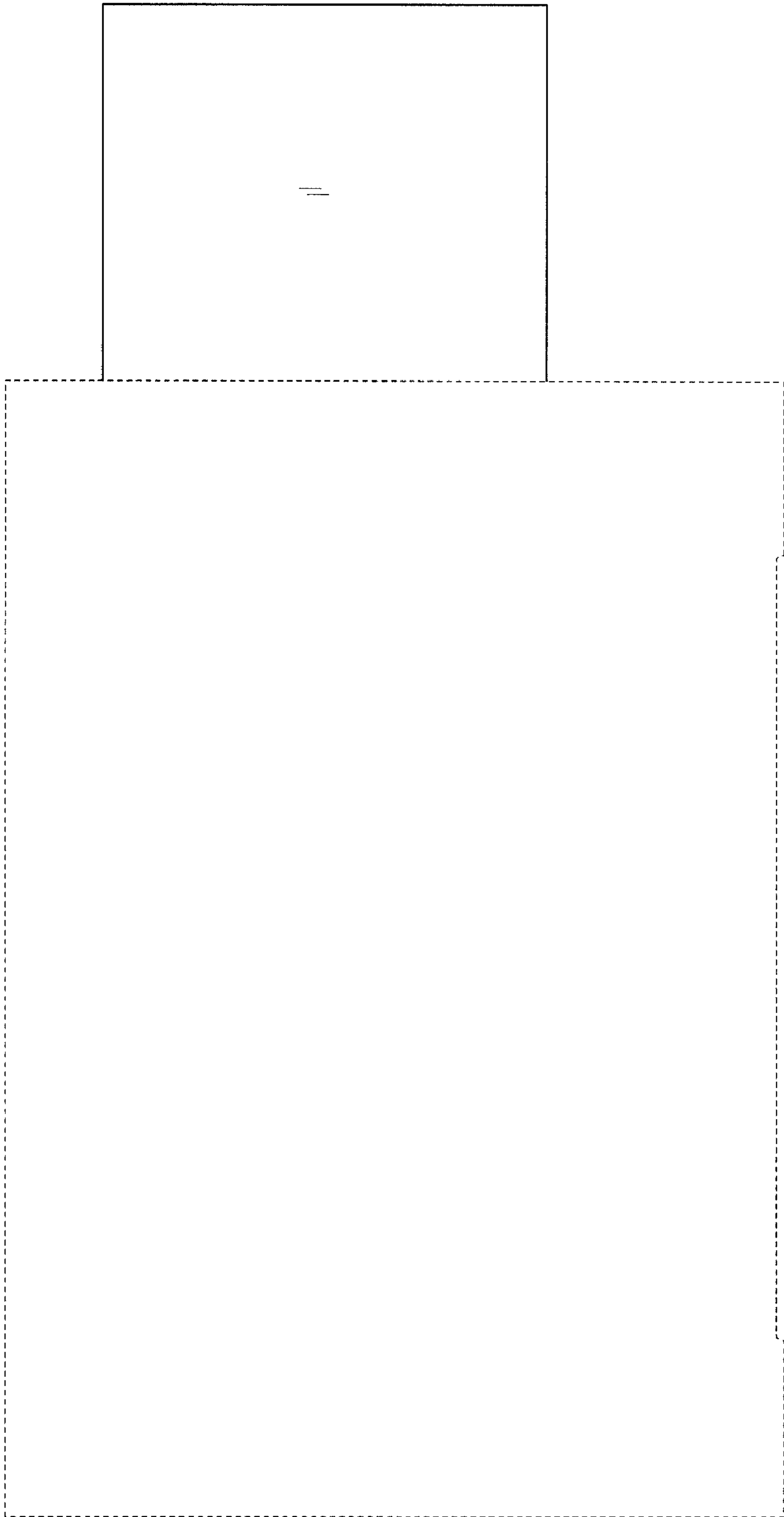


FIG. 5

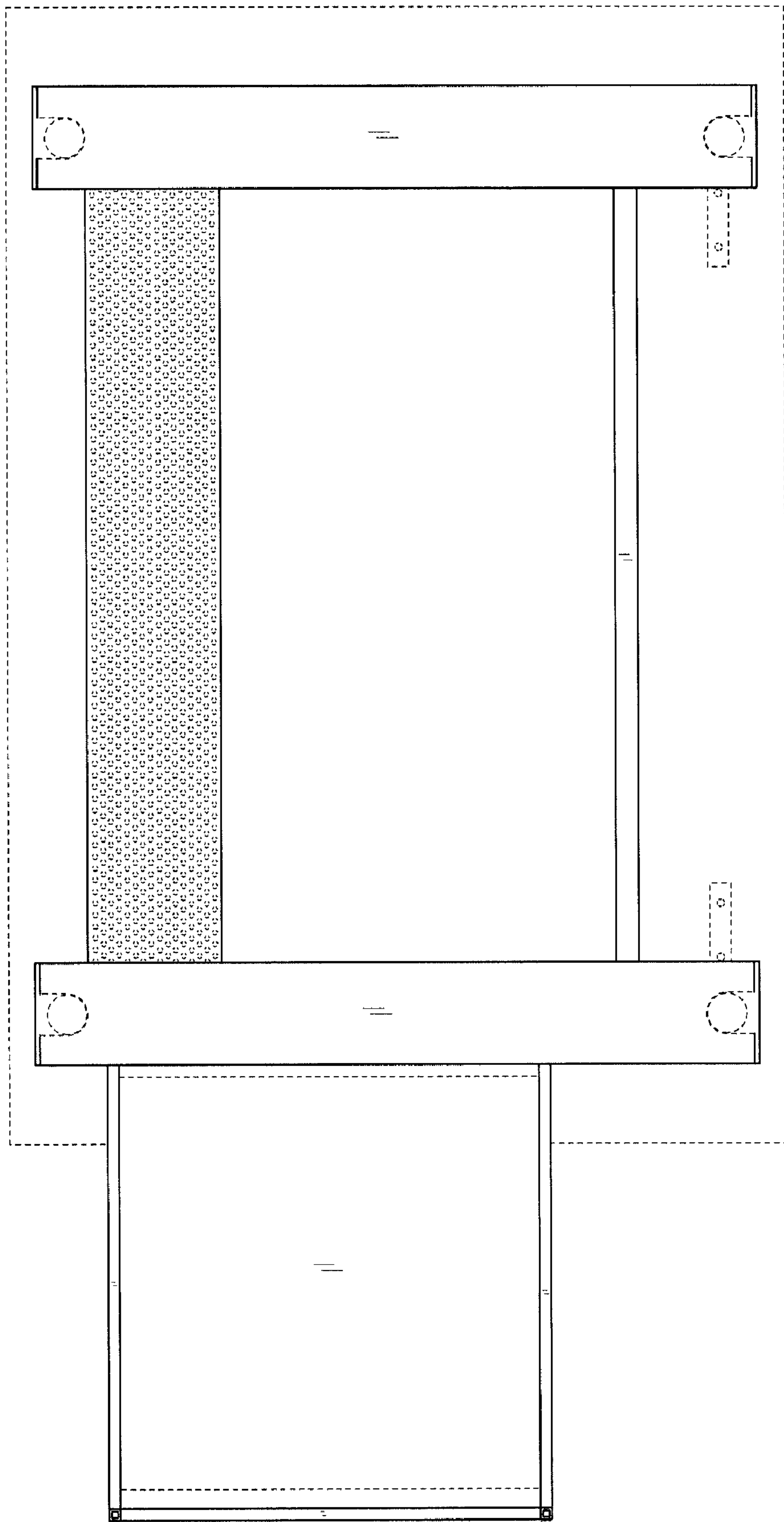


FIG. 6

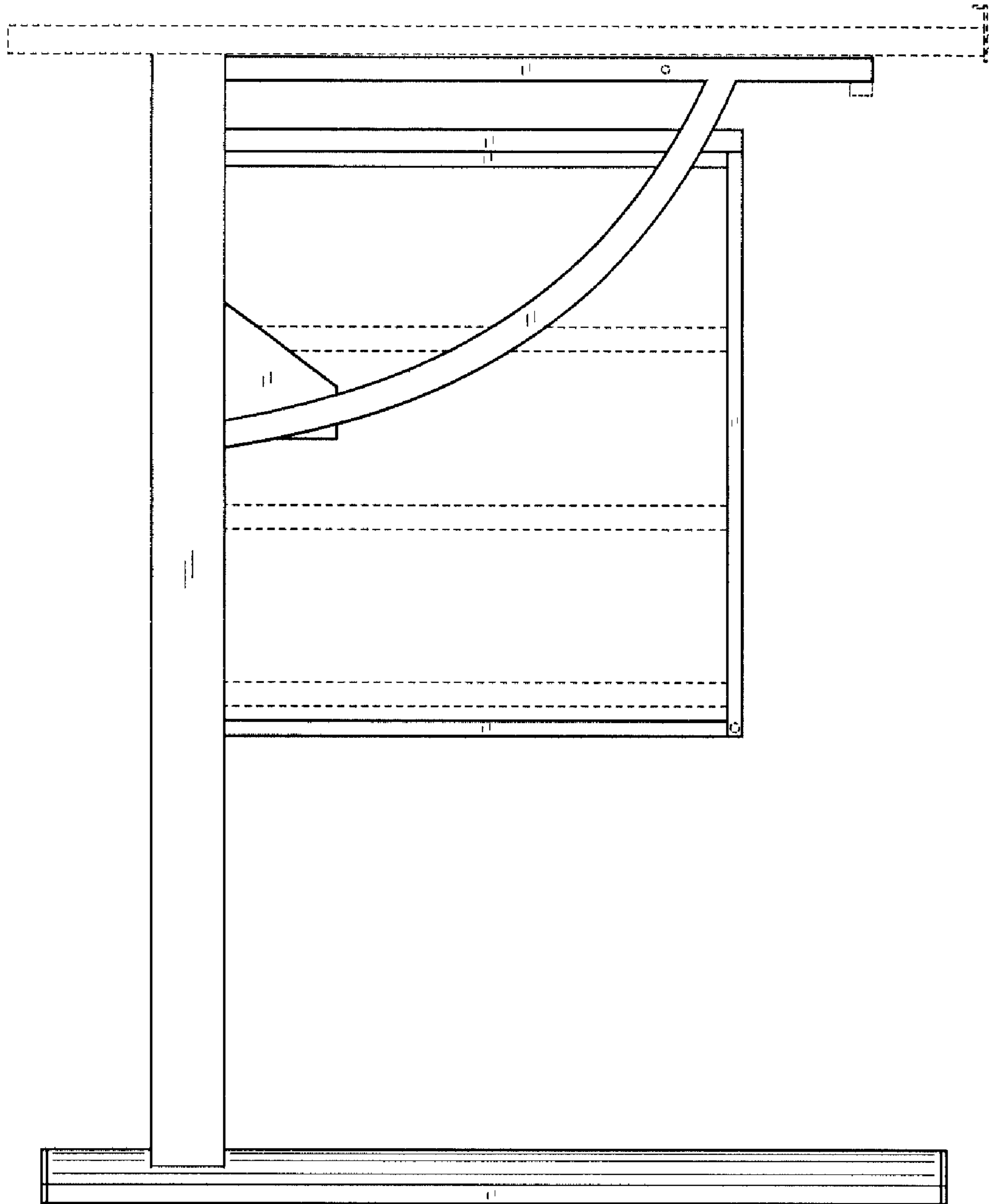


FIG. 7

