



US00D658908S

(12) **United States Design Patent**
Kroll

(10) **Patent No.:** **US D658,908 S**

(45) **Date of Patent:** **** May 8, 2012**

(54) **CROSS-SHAPED DISPLAY STAND**

(76) Inventor: **William F. Kroll**, Boca Raton, FL (US)

(**) Term: **14 Years**

(21) Appl. No.: **29/400,201**

(22) Filed: **Aug. 24, 2011**

(51) **LOC (9) Cl.** **06-04**

(52) **U.S. Cl.** **D6/450**

(58) **Field of Classification Search** D6/300-314,
D6/450, 470, 466, 512, 467; D20/15; D11/157,
D11/125, 122; D99/5, 23, 27; D26/4, 94;
211/85.6, 441.1, 442.2, 450, 451, 454-456,
211/133, 121, 152, 174, 176.1

See application file for complete search history.

D443,970 S * 6/2001 Stucker D99/27
D481,223 S * 10/2003 Locker et al. D6/470
D518,939 S * 4/2006 Borgerding D99/5
D618,135 S * 6/2010 Horst D11/157
D619,926 S * 7/2010 Letney D11/157
D649,594 S * 11/2011 Yi et al. D20/15

* cited by examiner

Primary Examiner — Cynthia M Chin

Assistant Examiner — Sydney Buffalow

(74) *Attorney, Agent, or Firm* — Mark D. Bowen, Esq.;
Malin Haley DiMaggio Bowen & Lhota, P.A.

(57) **CLAIM**

The ornamental design for a cross-shaped display stand, as shown and described.

(56) **References Cited**

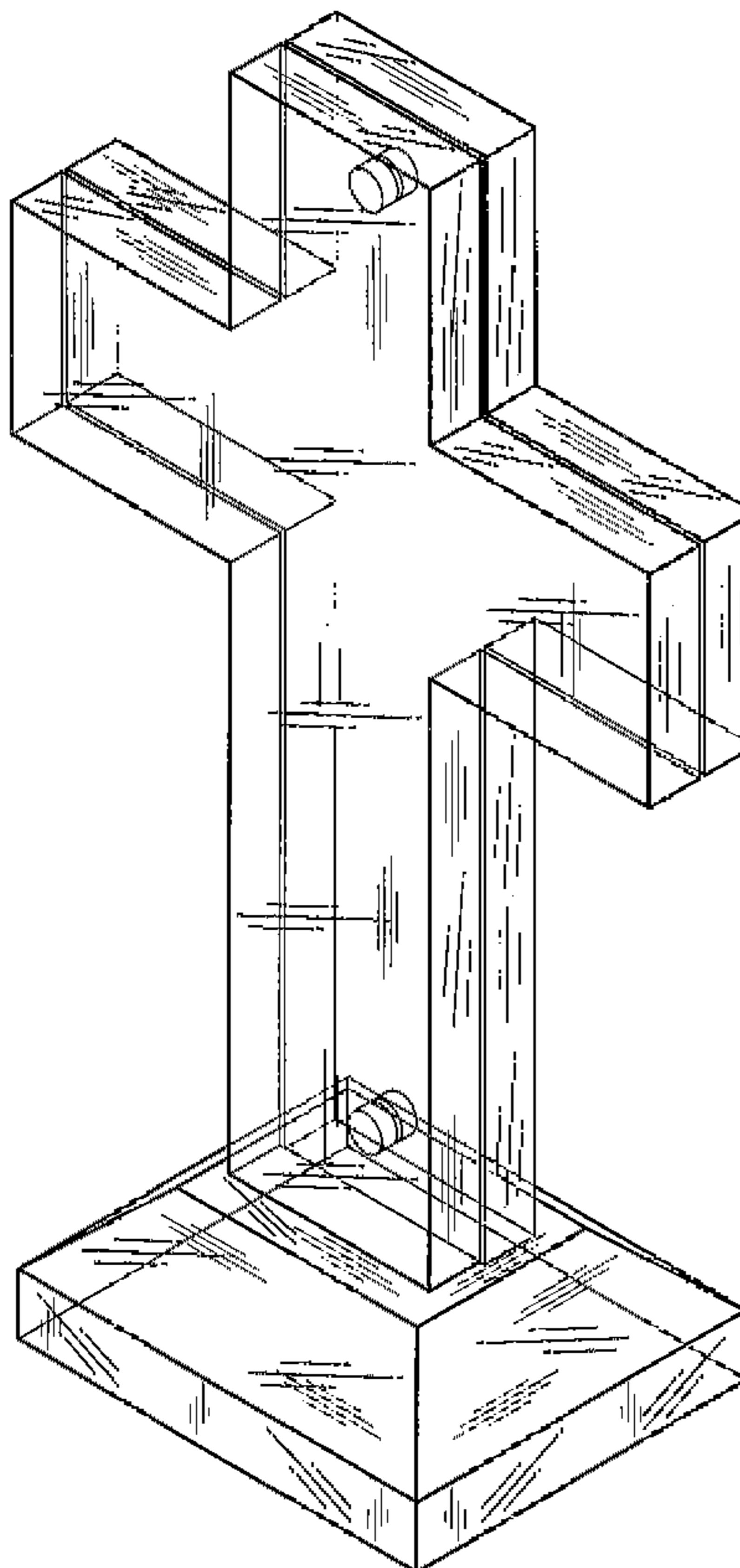
U.S. PATENT DOCUMENTS

D103,027 S * 2/1937 Slattery D99/27
D137,421 S * 3/1944 Rasmussen D99/23
D159,891 S * 8/1950 Chevalier D99/27
D160,900 S * 11/1950 Suhren D6/450
D168,686 S * 1/1953 Hunter D6/450
D338,081 S * 8/1993 Klaffer D26/94
D370,282 S * 5/1996 Grether D26/4
D408,653 S * 4/1999 Dotson et al. D6/450
D412,461 S * 8/1999 McGrew D11/122
D431,206 S * 9/2000 Byers D11/125
D440,734 S * 4/2001 Berry D99/23

DESCRIPTION

FIG. 1 is a front perspective view of a cross-shaped display stand in accordance with the present invention;
FIG. 2 is a bottom perspective view thereof;
FIG. 3 is a front view thereof;
FIG. 4 is a right side view thereof, with the left side view being identical;
FIG. 5 is a top view thereof; and,
FIG. 6 is a bottom view thereof.

1 Claim, 4 Drawing Sheets



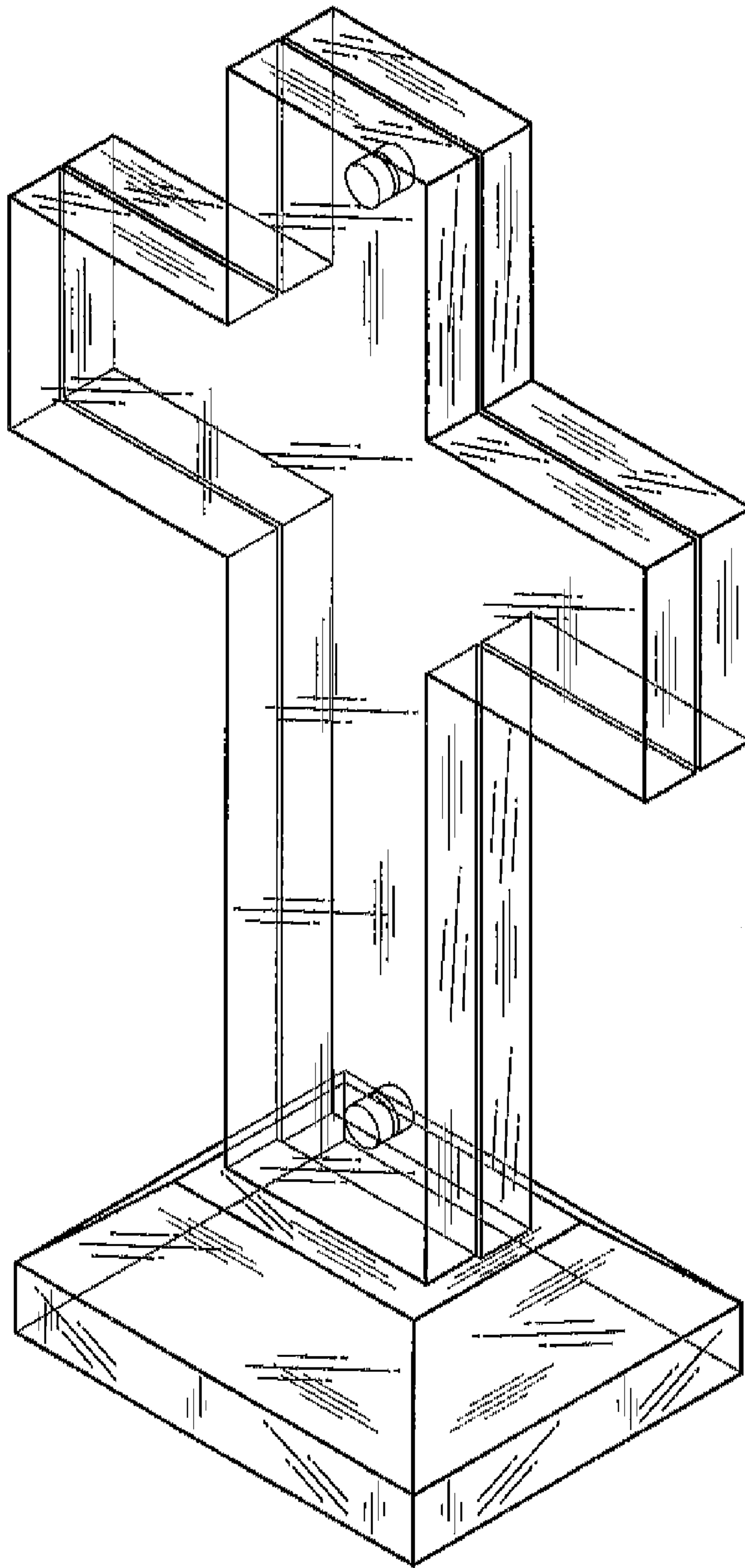


FIG. 1

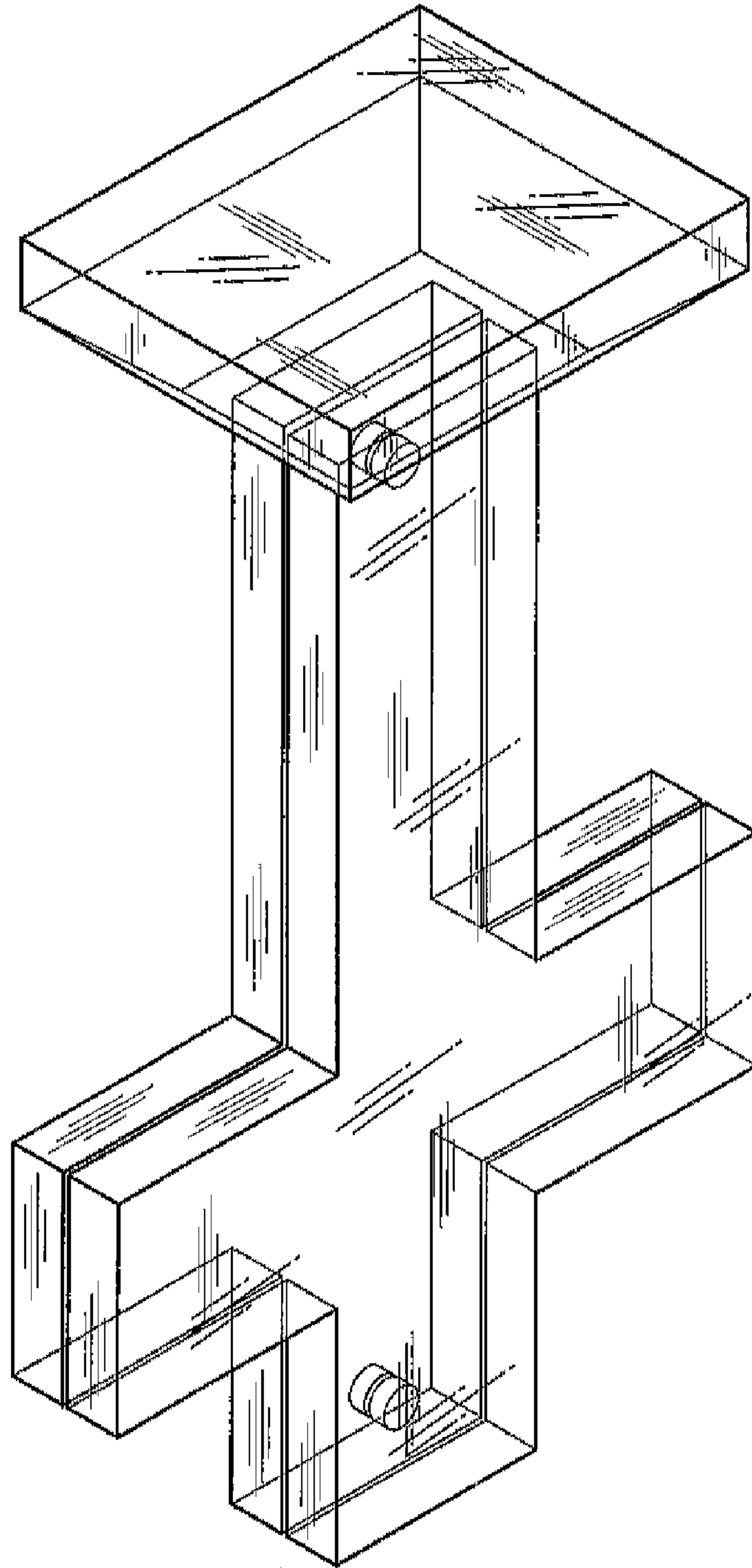


FIG. 2

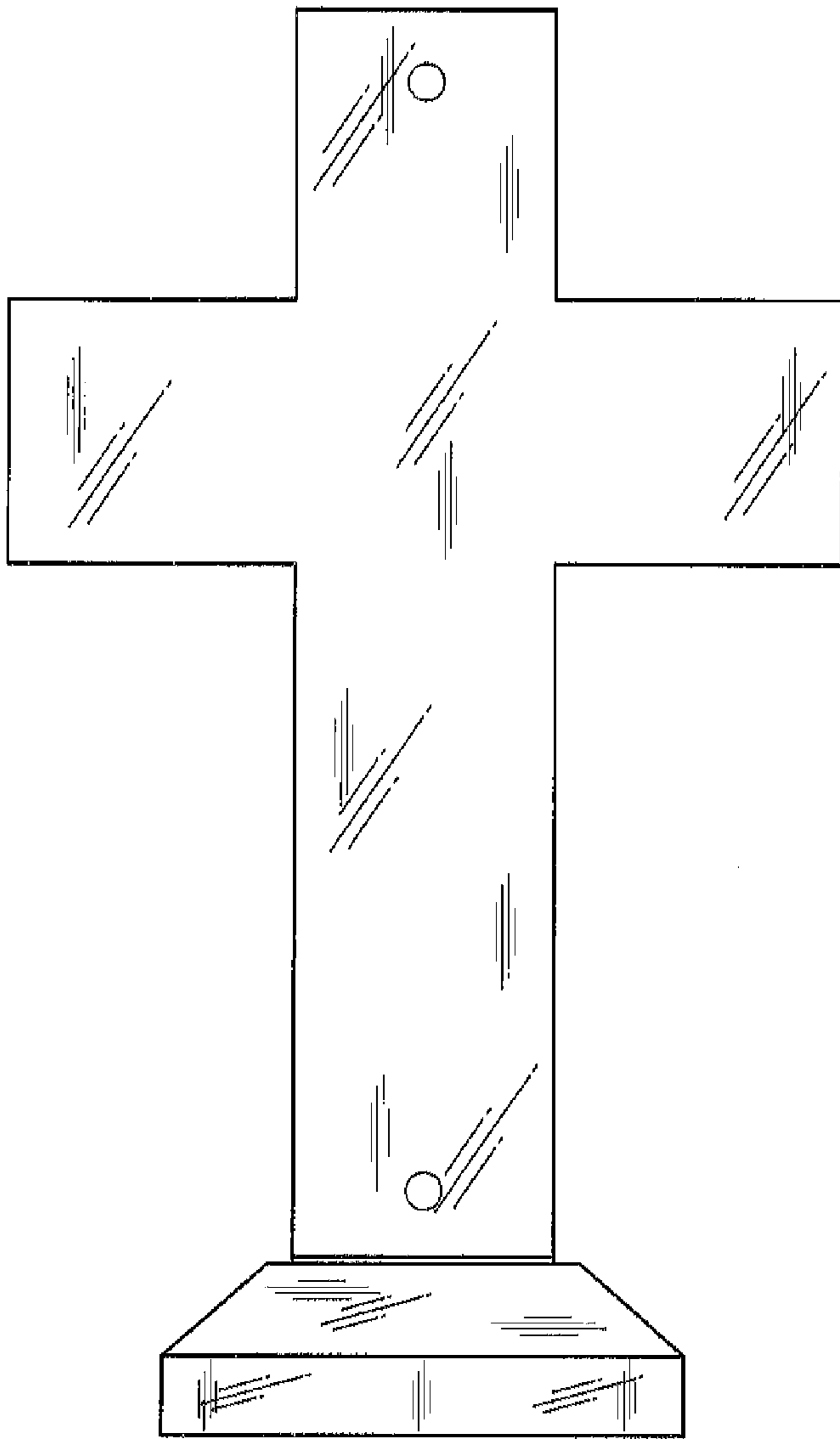


FIG. 3

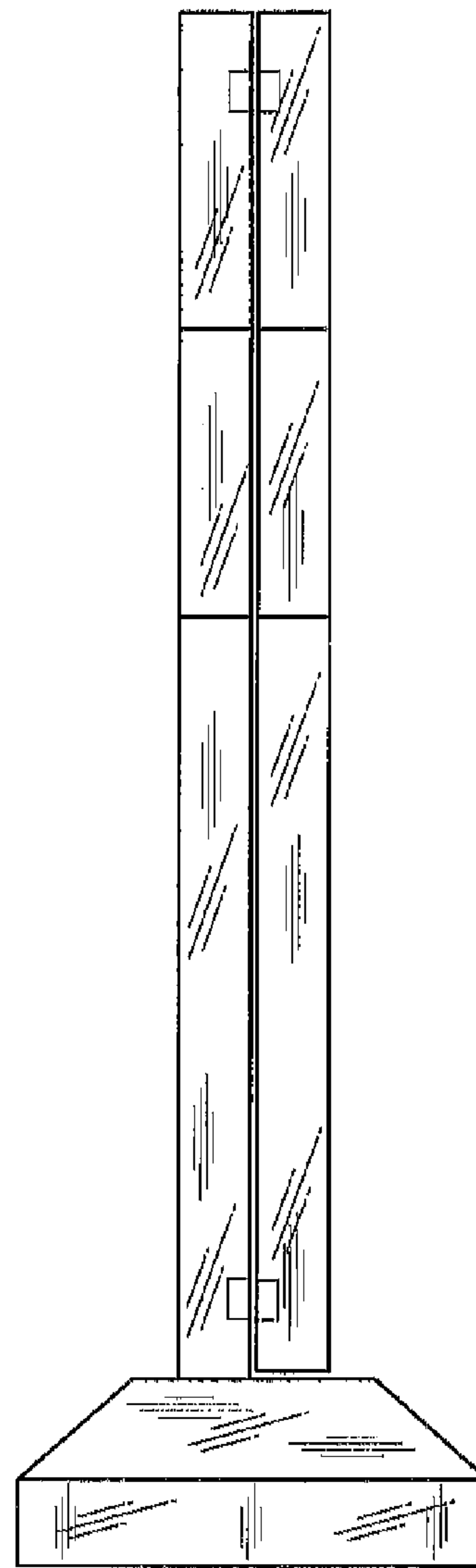


FIG. 4

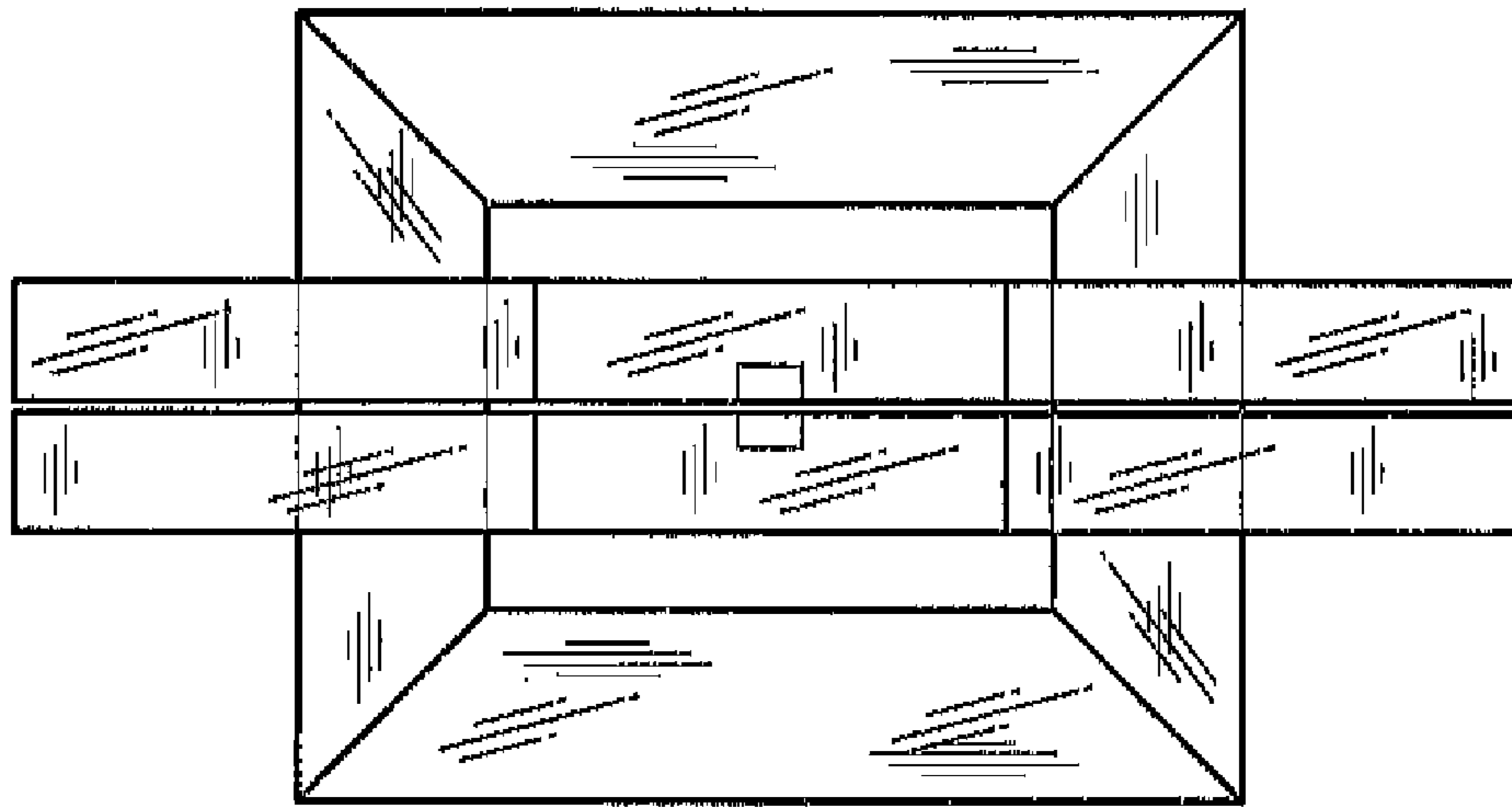


FIG. 5

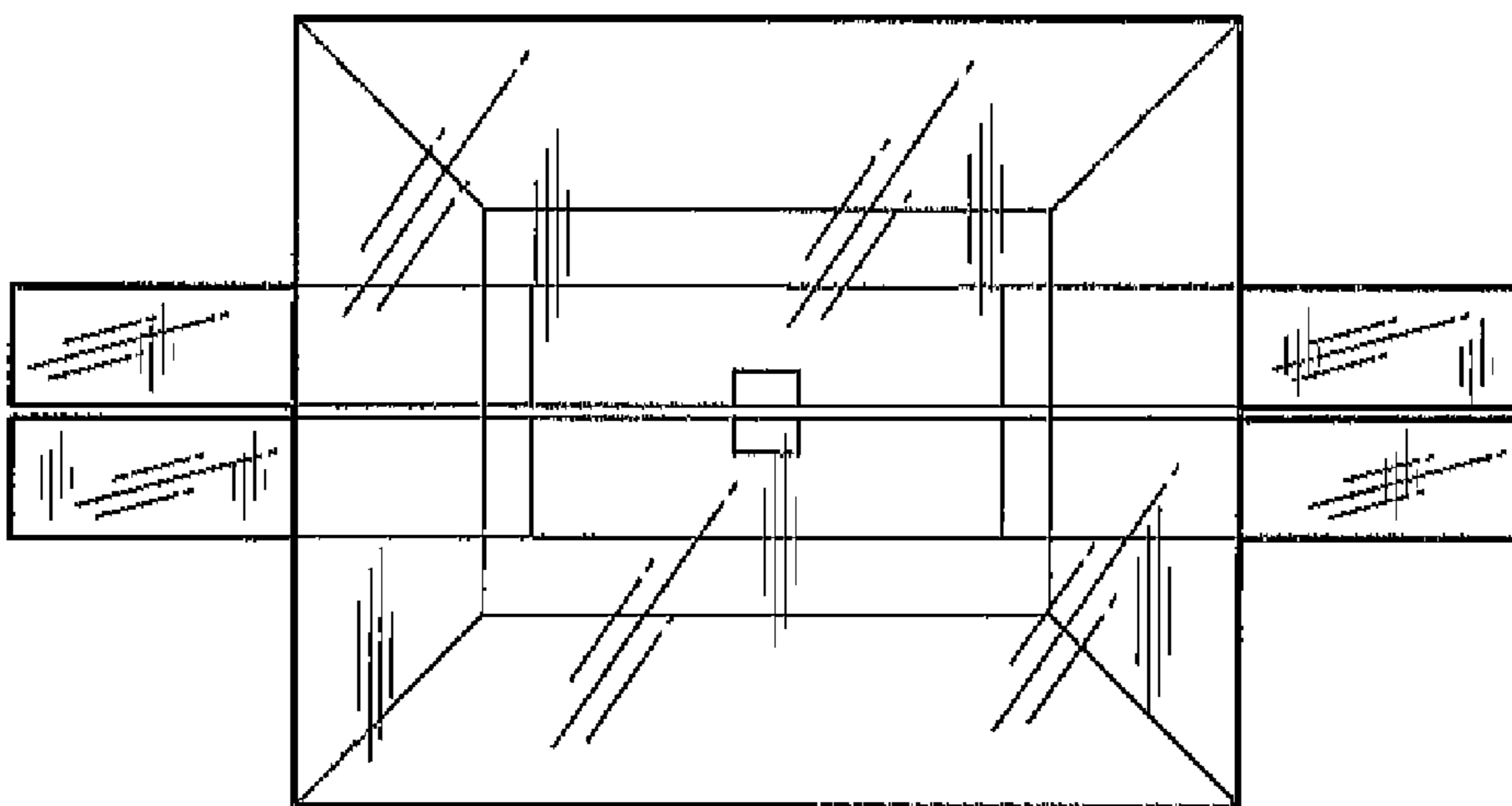


FIG. 6