



US00D658906S

(12) **United States Design Patent**  
**Cute**

(10) **Patent No.:** **US D658,906 S**

(45) **Date of Patent:** **\*\* May 8, 2012**

(54) **REVERSIBLE PLANT STAND**

(75) Inventor: **Joseph E. Cute**, Geneva, IL (US)

(73) Assignee: **Sun Hill Industries, Inc.**, Fairfield, CA (US)

(\*\*) Term: **14 Years**

(21) Appl. No.: **29/401,302**

(22) Filed: **Sep. 9, 2011**

(51) **LOC (9) Cl.** ..... **11-02**

(52) **U.S. Cl.** ..... **D6/403**

(58) **Field of Classification Search** ..... D6/403-405,  
D6/556-558; D8/1; D11/143-156, 164;  
D25/1; D26/9-11, 16, 19; D34/1, 2, 4-6;  
D99/5, 19; 47/17, 32.4, 32.5, 33, 39, 41.01,  
47/41.1, 41.11-41.15, 44-47, 65, 65.5, 65.9,  
47/66.1, 66.2, 66.6, 66.7, 67-71  
See application file for complete search history.

(56) **References Cited**

**U.S. PATENT DOCUMENTS**

D36,086 S *	9/1902	Olsen	.....	D6/403
2,001,646 A *	5/1935	Abitsch	.....	D11/143
D204,006 S *	3/1966	Reed	.....	D6/403
D250,686 S *	1/1979	Ashcraft	.....	D6/458

D265,150 S *	6/1982	Benedict	.....	D6/403
D393,549 S *	4/1998	Marinos	.....	D6/403
D449,180 S *	10/2001	Blake	.....	D6/403
D497,494 S *	10/2004	Tseng	.....	D6/403
D559,008 S *	1/2008	Knight	.....	D6/403
D566,985 S *	4/2008	Hana	.....	D6/403
D589,720 S *	4/2009	Cute	.....	D6/404
D602,283 S *	10/2009	Glenn	.....	D6/403
D648,957 S *	11/2011	Cute	.....	D6/405

\* cited by examiner

*Primary Examiner* — Garth Rademaker

(74) *Attorney, Agent, or Firm* — Riverside Law LLP

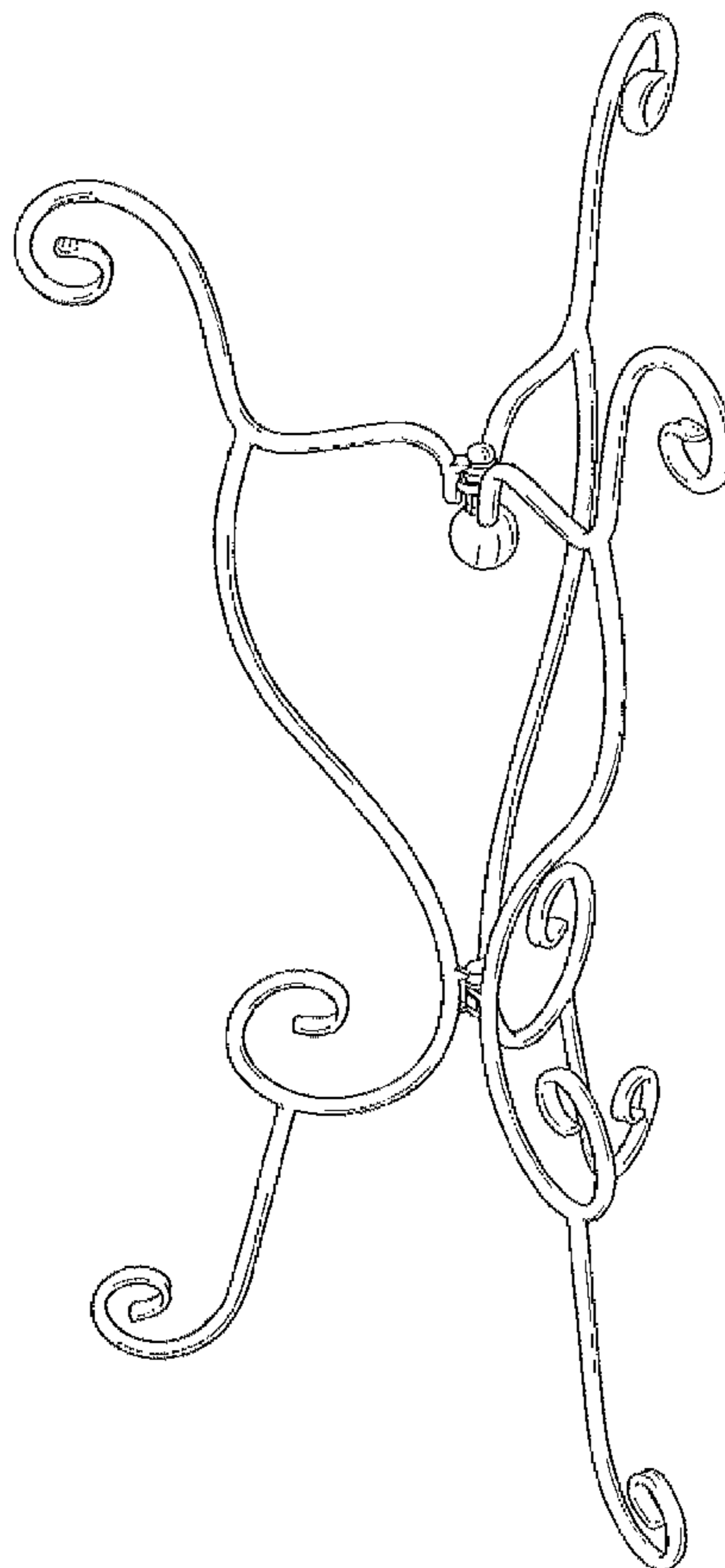
(57) **CLAIM**

I claim the ornamental design for a reversible plant stand, as shown and described.

**DESCRIPTION**

FIG. 1 is a perspective view of a reversible plant stand;  
FIG. 2 is a front view thereof;  
FIG. 3 is a right view thereof;  
FIG. 4 is a rear view thereof;  
FIG. 5 is a left view thereof;  
FIG. 6 is a top view thereof;  
FIG. 7 is a bottom view thereof; and,  
FIG. 8 is a rear view, inverted 180°.

**1 Claim, 7 Drawing Sheets**



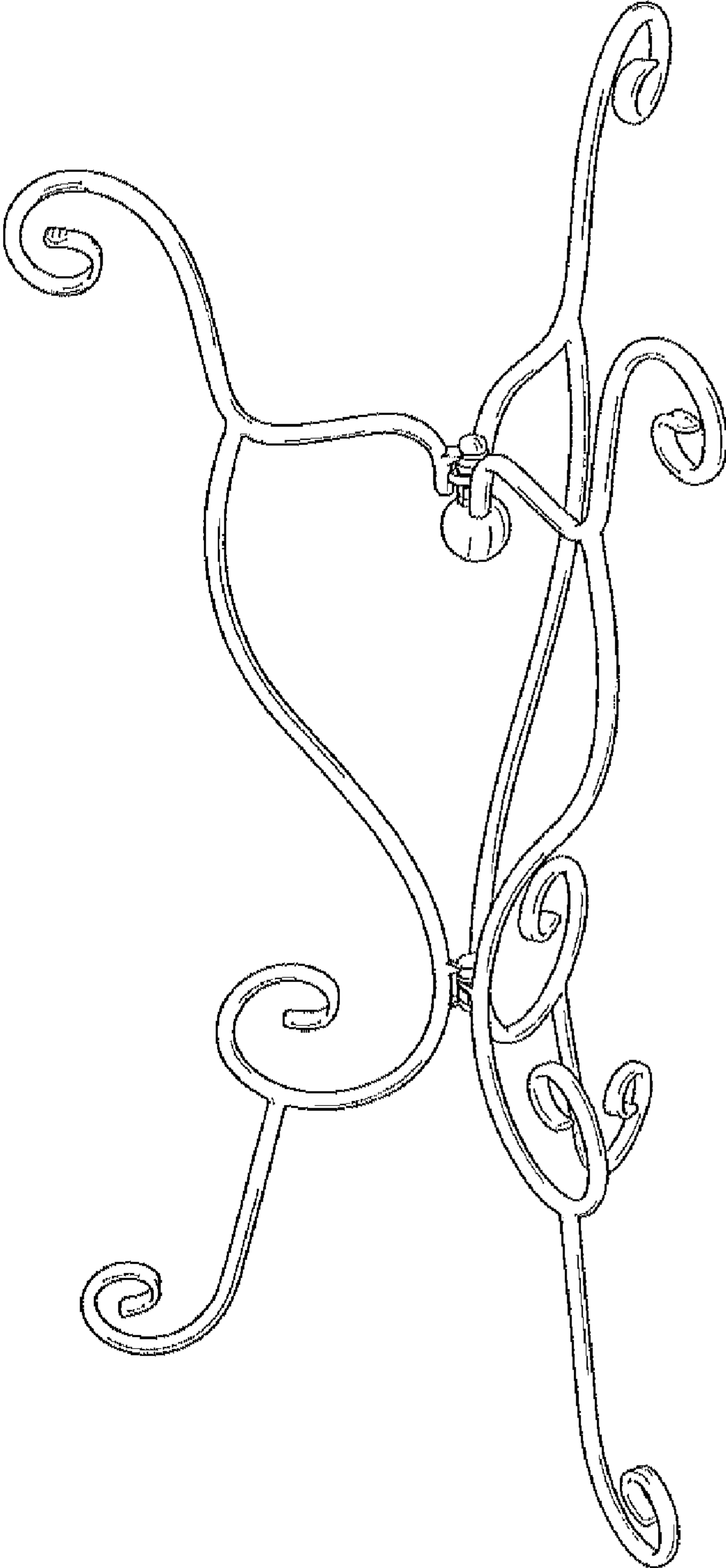


FIG. 1

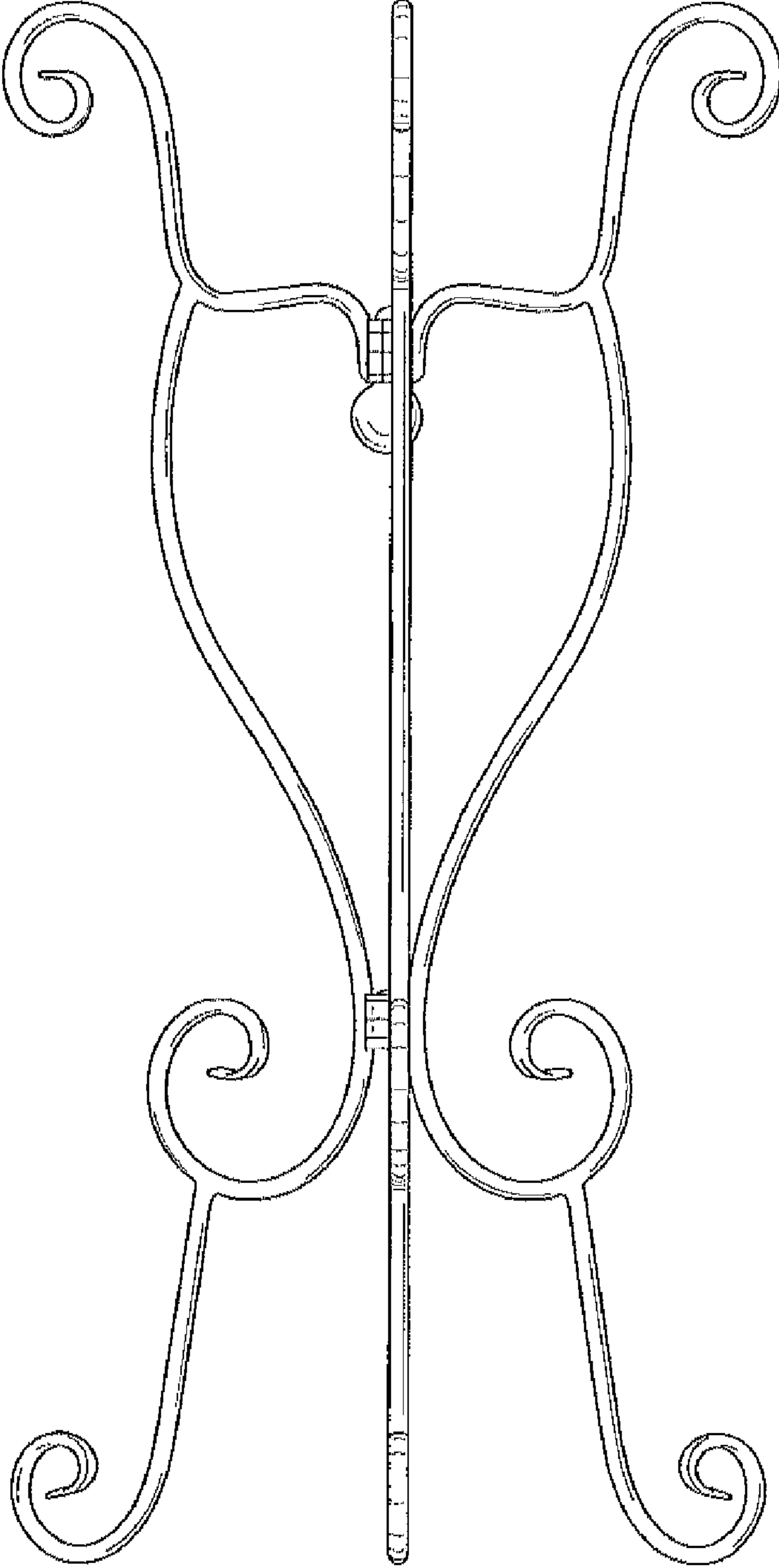


FIG. 2

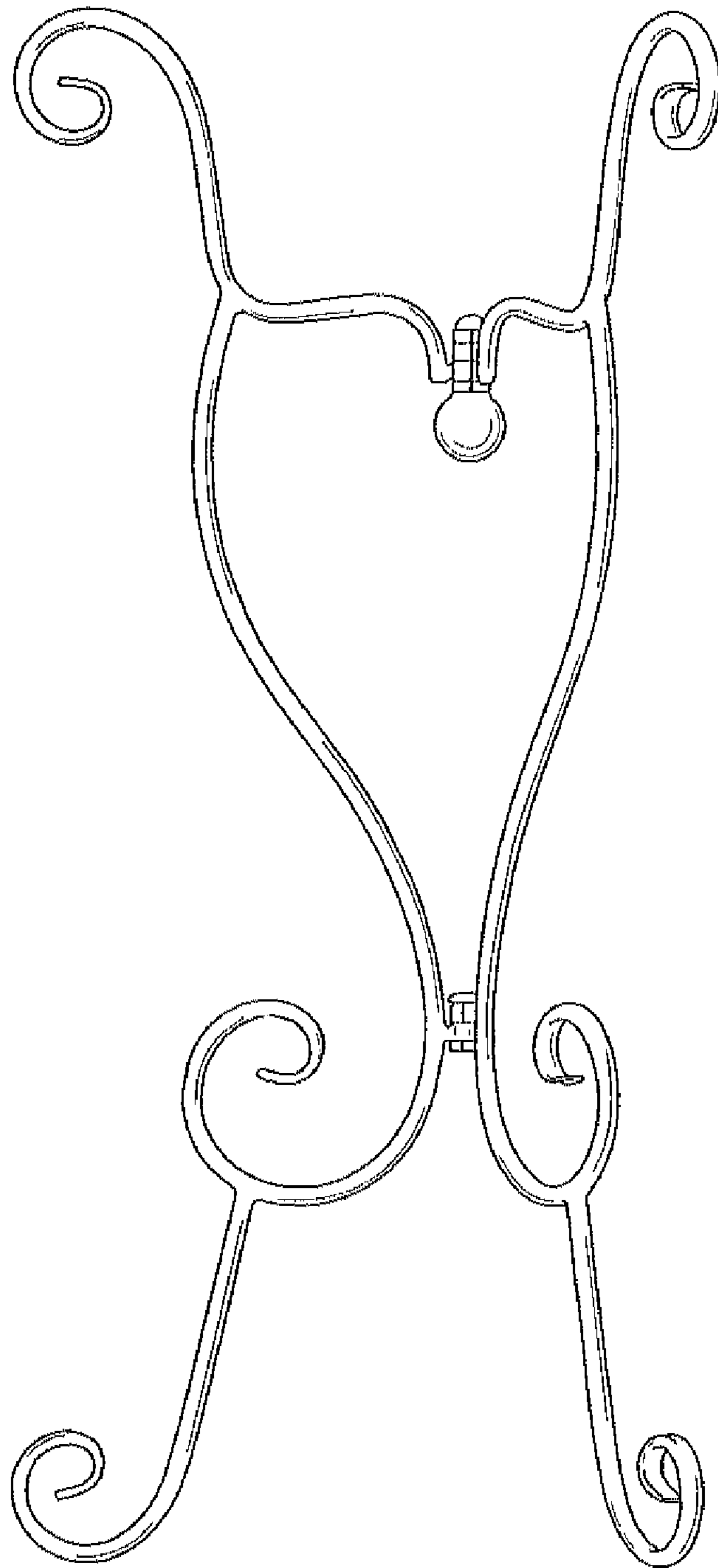


FIG. 3

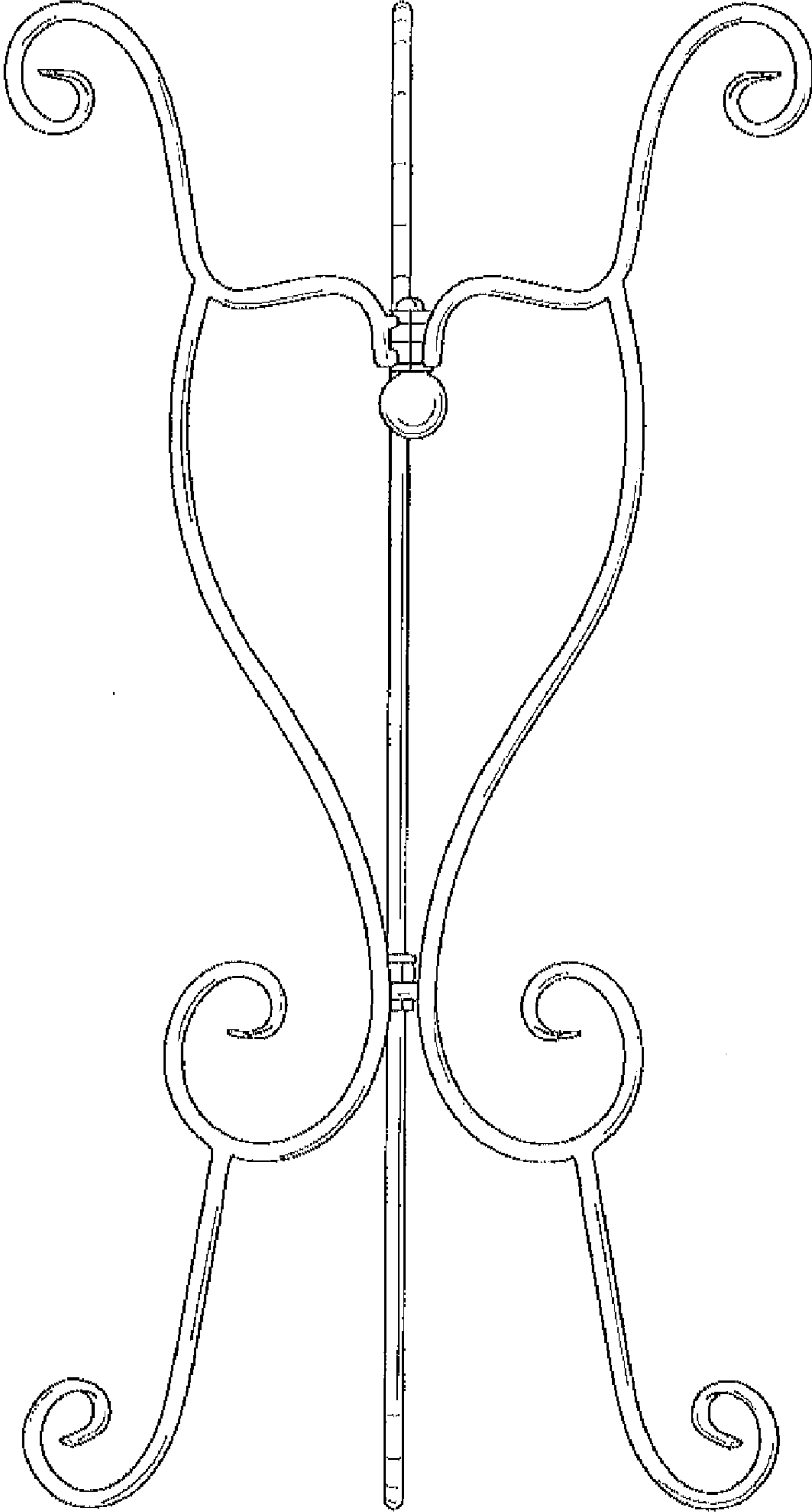


FIG. 4

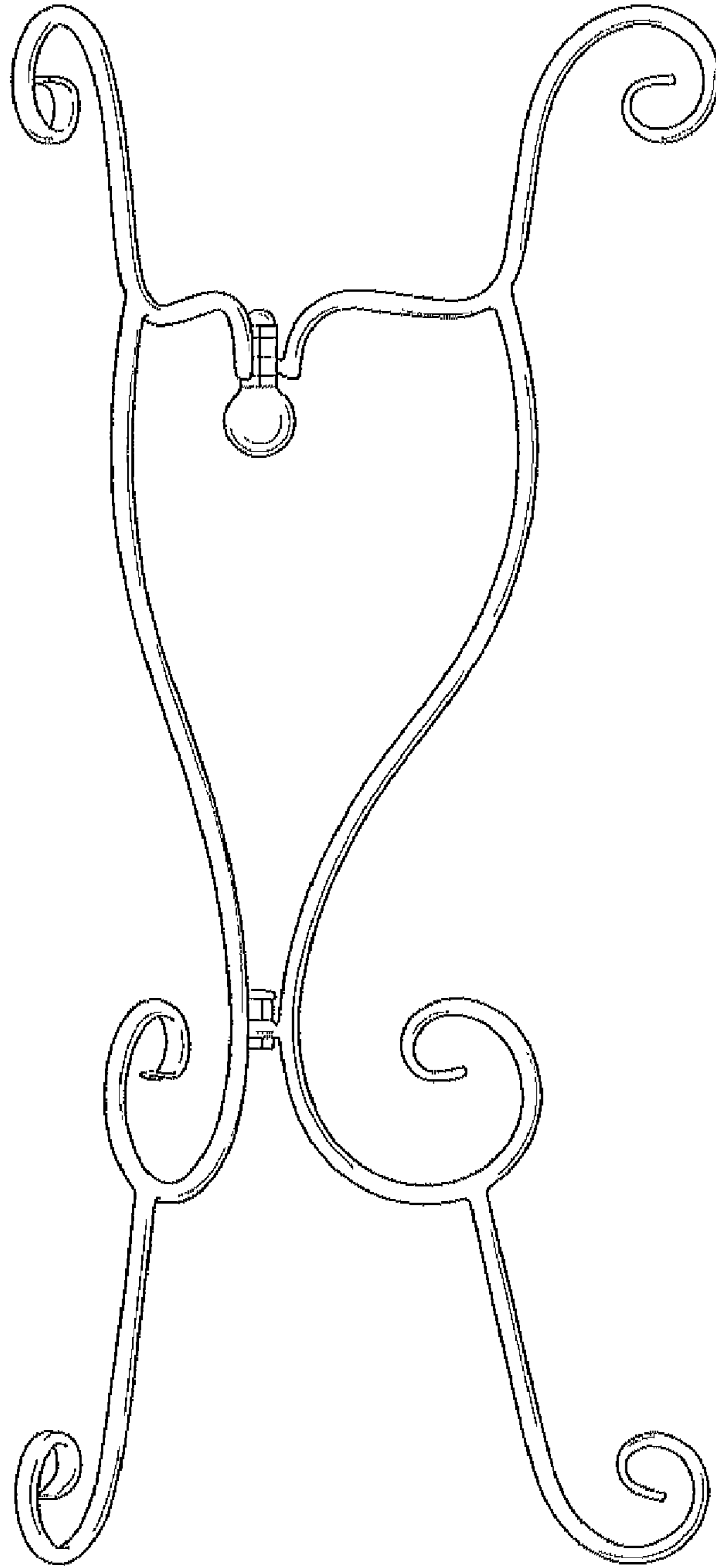


FIG. 5

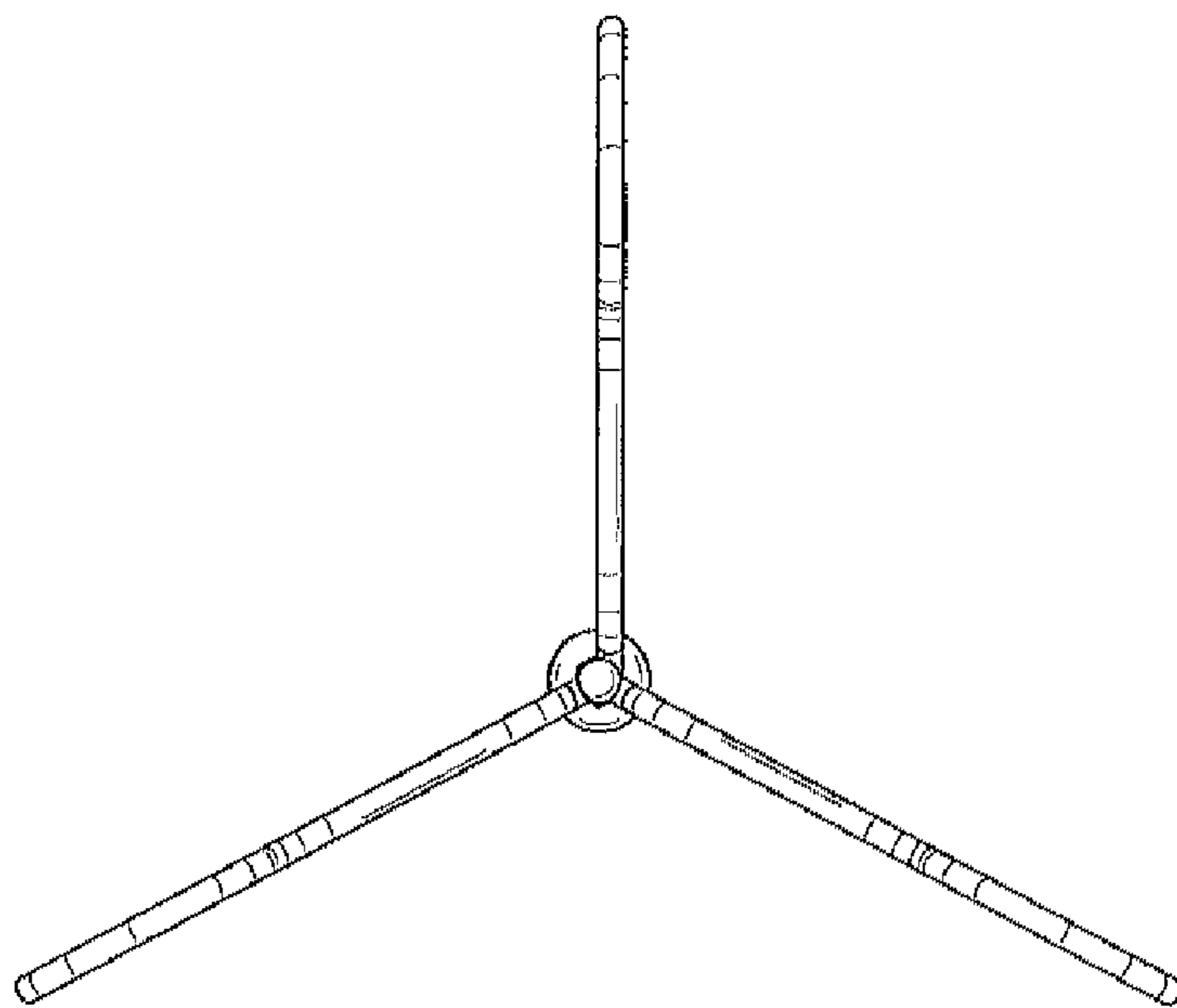


FIG. 6

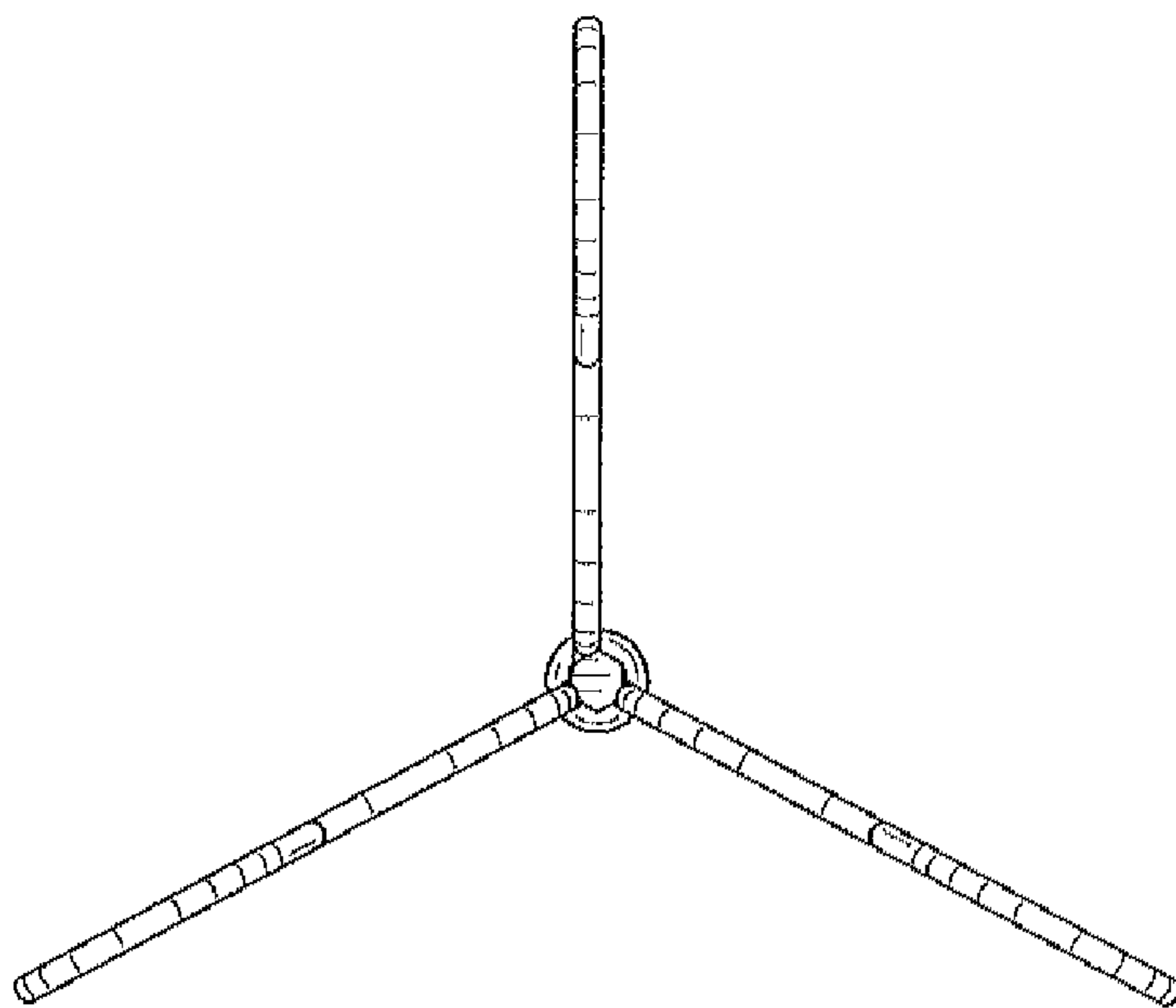


FIG. 7

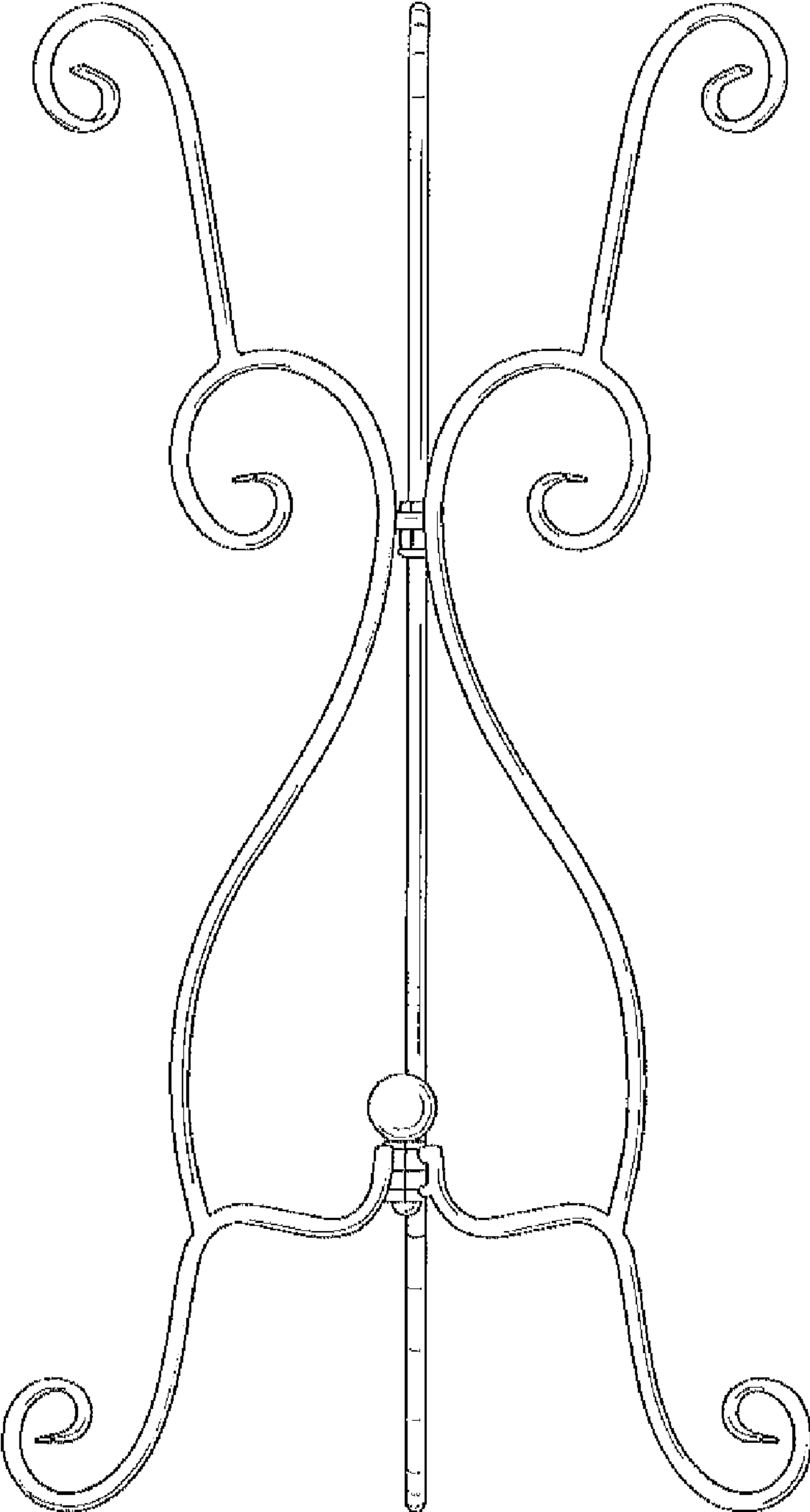


FIG. 8