



US00D658902S

(12) **United States Design Patent**  
**Comas**

(10) **Patent No.:** **US D658,902 S**  
(45) **Date of Patent:** **\*\* May 8, 2012**

(54) **ERGONOMIC SEAT**

(75) **Inventor:** **Josep Torrents I Comas, Rubi (ES)**

(73) **Assignee:** **Germans Boada, S.A. (ES)**

(\*\*) **Term:** **14 Years**

(21) **Appl. No.:** **29/358,699**

(22) **Filed:** **Mar. 31, 2010**

(30) **Foreign Application Priority Data**

Jan. 8, 2010 (EM) ..... 001654856-0001

(51) **LOC (9) Cl.** ..... **06-01**

(52) **U.S. Cl.** ..... **D6/340**

(58) **Field of Classification Search** ..... D6/340,  
D6/349-354, 355, 491, 492, 500-502, 330;  
297/16.1, 16.2, 175, 181, 186, 187, 195.1,  
297/215.16, 440.12, 461, 462, DIG. 2

See application file for complete search history.

(56) **References Cited**

**U.S. PATENT DOCUMENTS**

D277,722 S \* 2/1985 Gusrud ..... D6/340  
D327,352 S \* 6/1992 Robinson ..... D34/23  
D343,067 S \* 1/1994 Pass ..... D6/330  
D365,935 S \* 1/1996 Dallas ..... D6/336

5,720,517 A \* 2/1998 Prothro, Sr. .... 297/195.11  
D433,823 S \* 11/2000 Comeaux ..... D6/330  
6,398,234 B1 \* 6/2002 Brown ..... 280/32.6  
D463,143 S \* 9/2002 Riddle ..... D6/336  
D480,439 S \* 10/2003 Verheem et al. .... D21/686  
D531,423 S \* 11/2006 Whiteside et al. .... D6/367  
D608,558 S \* 1/2010 Rush ..... D6/367  
D620,722 S \* 8/2010 Adams ..... D6/366  
D632,904 S \* 2/2011 Adams ..... D6/498

\* cited by examiner

*Primary Examiner* — Sandra Snapp

(74) *Attorney, Agent, or Firm* — Ostrolenk Faber LLP

(57) **CLAIM**

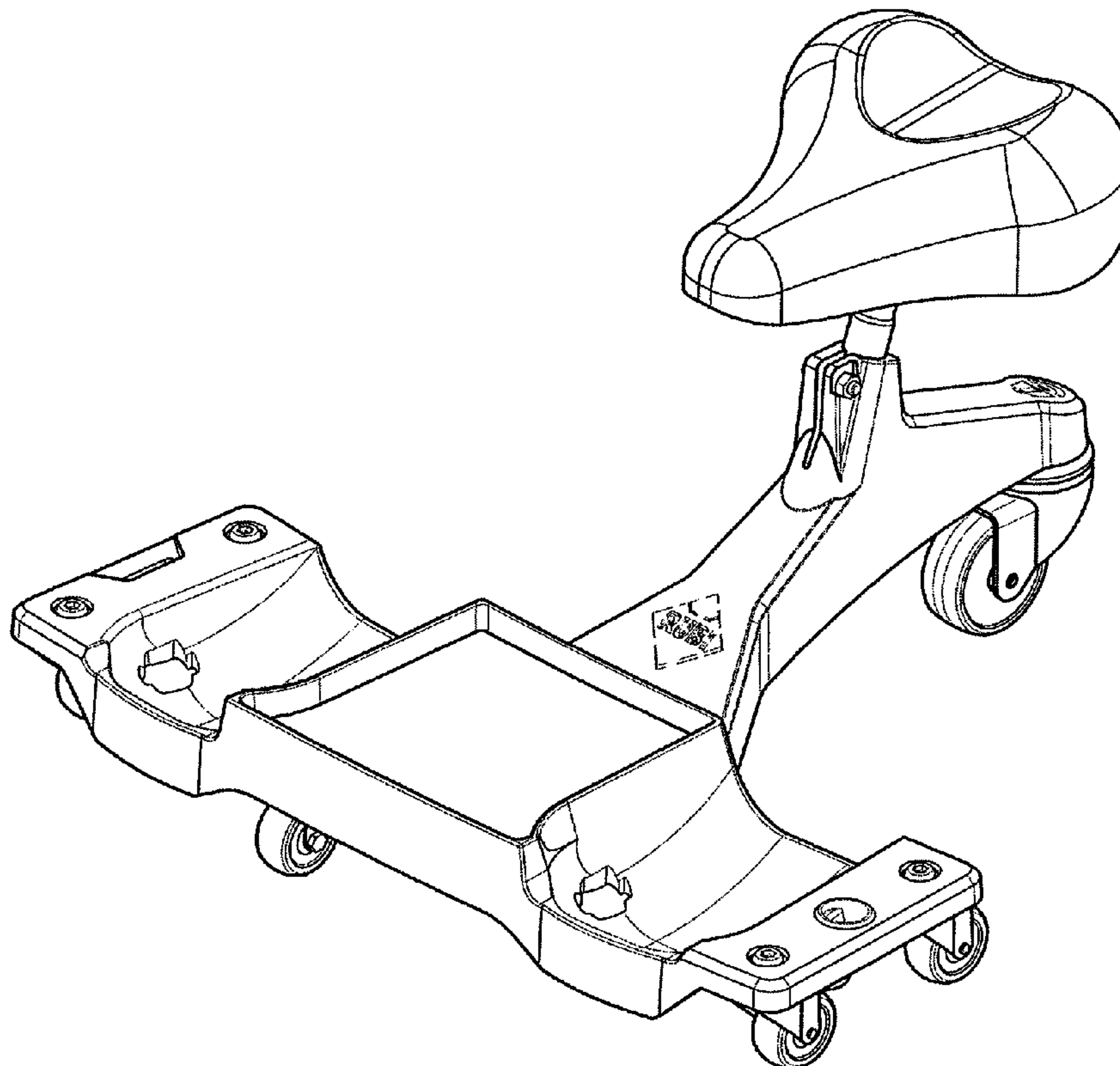
The ornamental design for an ergonomic seat, as shown and described.

**DESCRIPTION**

FIG. 1 is a front, left side perspective view of an ergonomic seat showing my new design;  
FIG. 2 is a side view thereof, the opposite side view thereof being a mirror image;  
FIG. 3 is a front view thereof;  
FIG. 4 is a rear view thereof;  
FIG. 5 is a top view thereof; and  
FIG. 6 is a bottom view thereof.

The broken lines in the drawing illustrate environmental material that forms no part of the claim design.

**1 Claim, 6 Drawing Sheets**



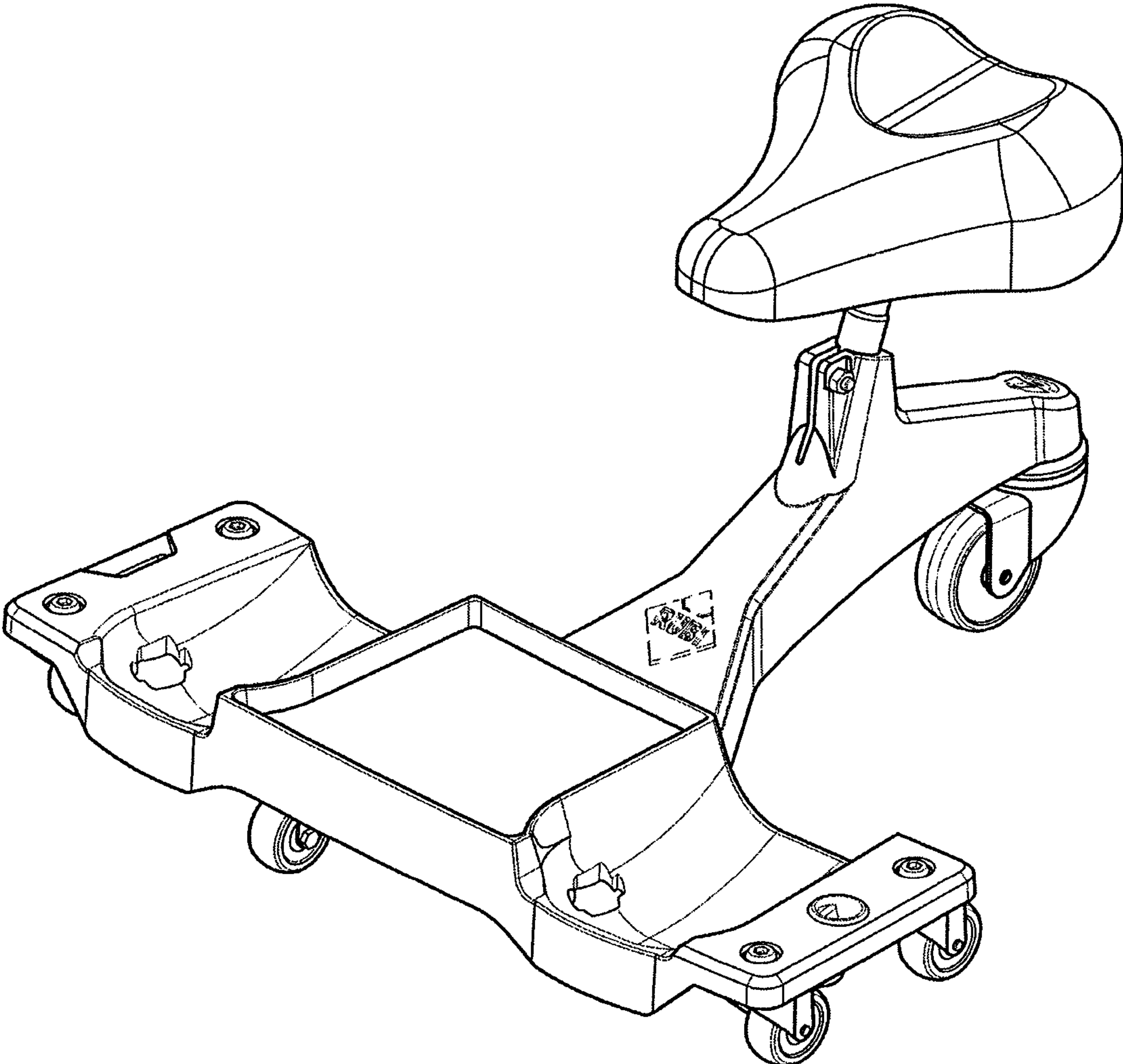


FIG. 1

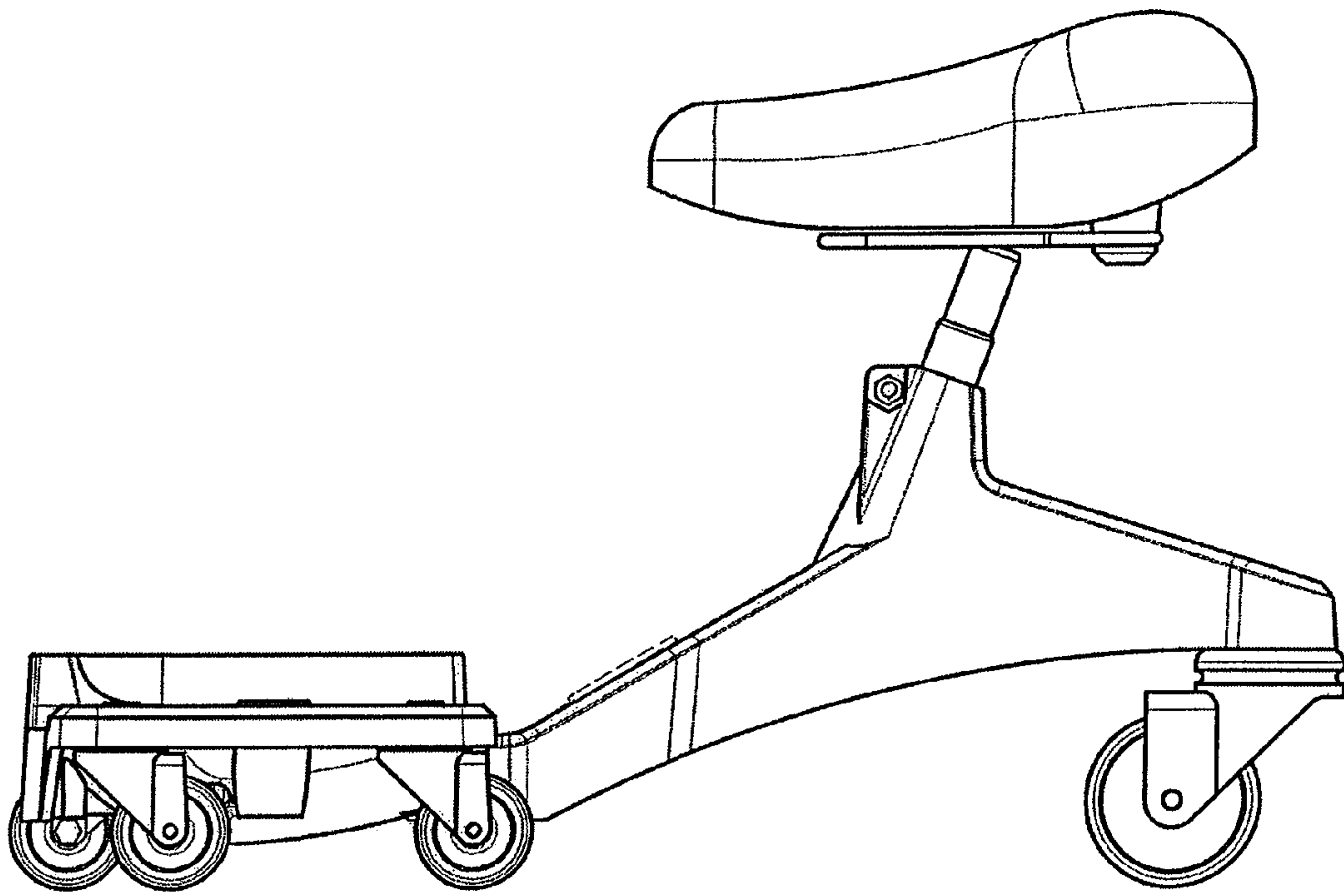


FIG. 2

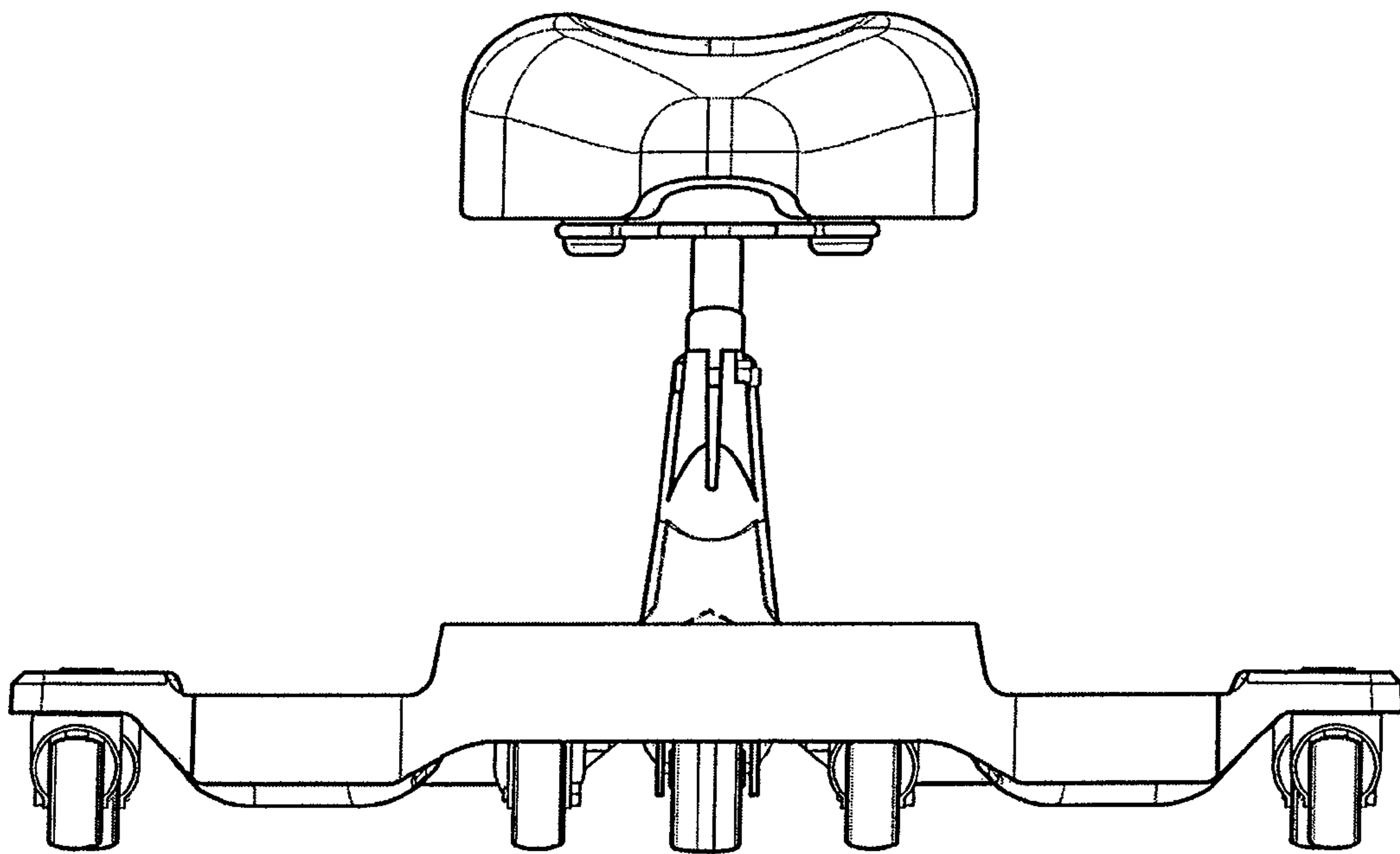


FIG. 3

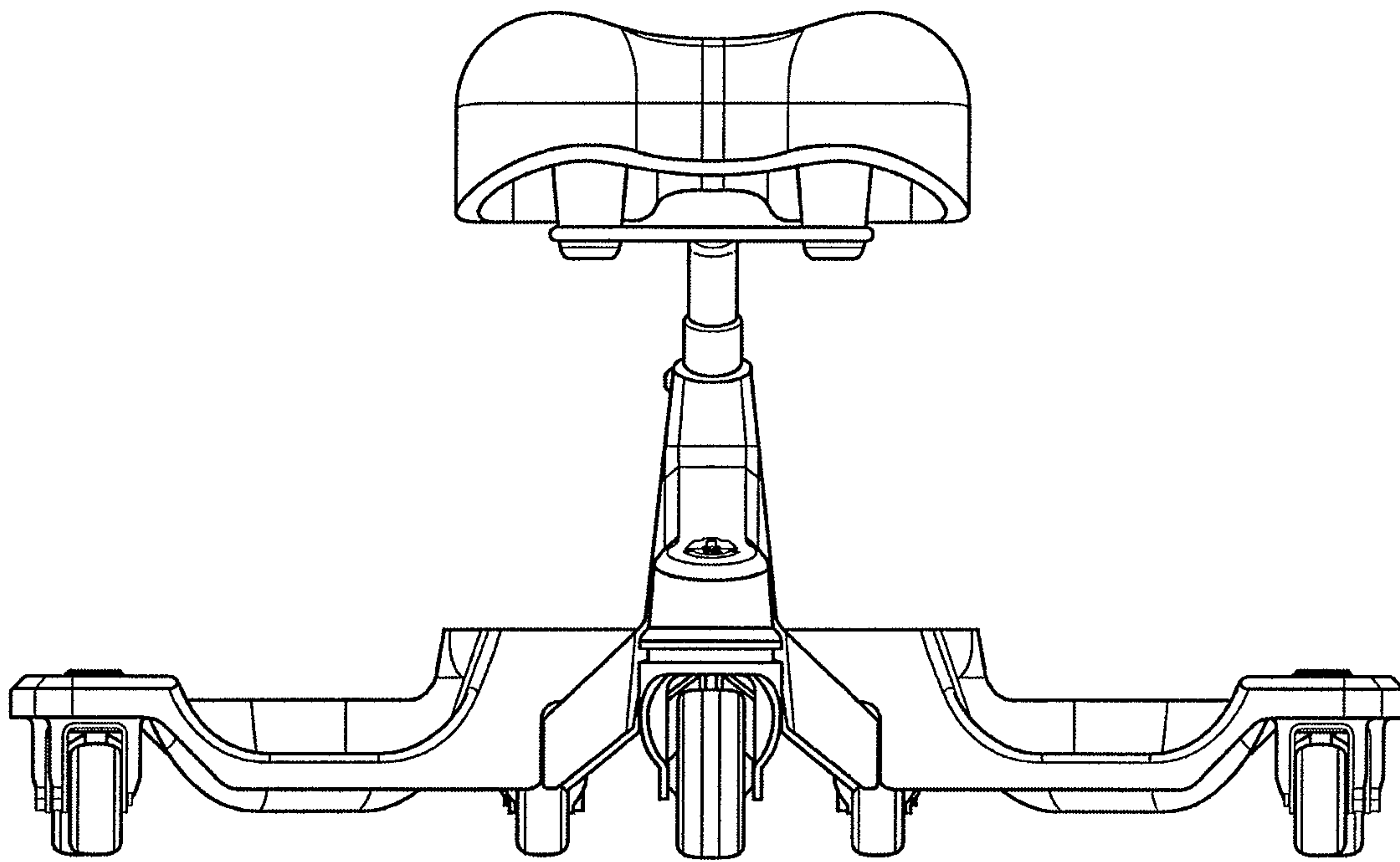


FIG. 4



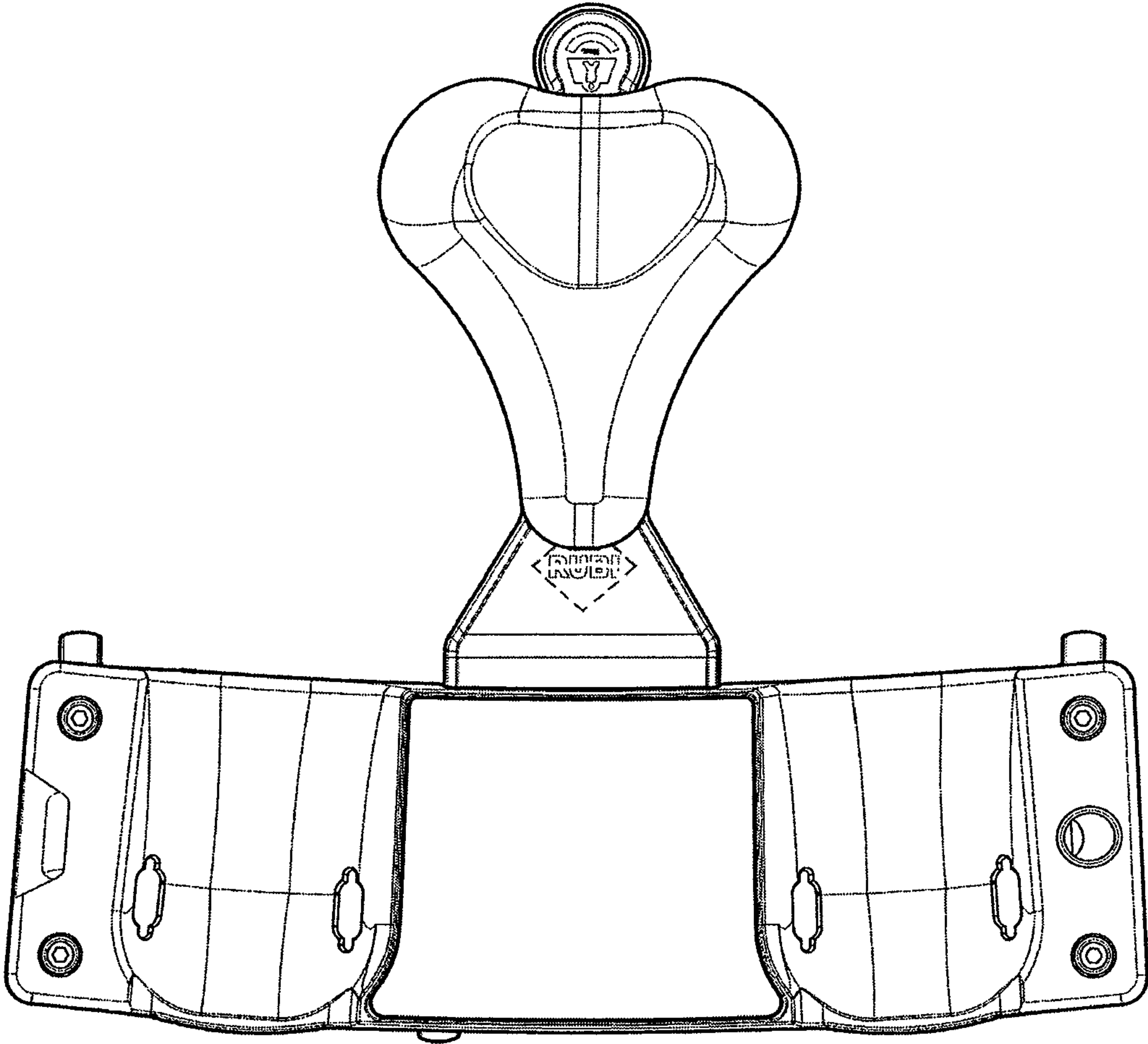


FIG. 5

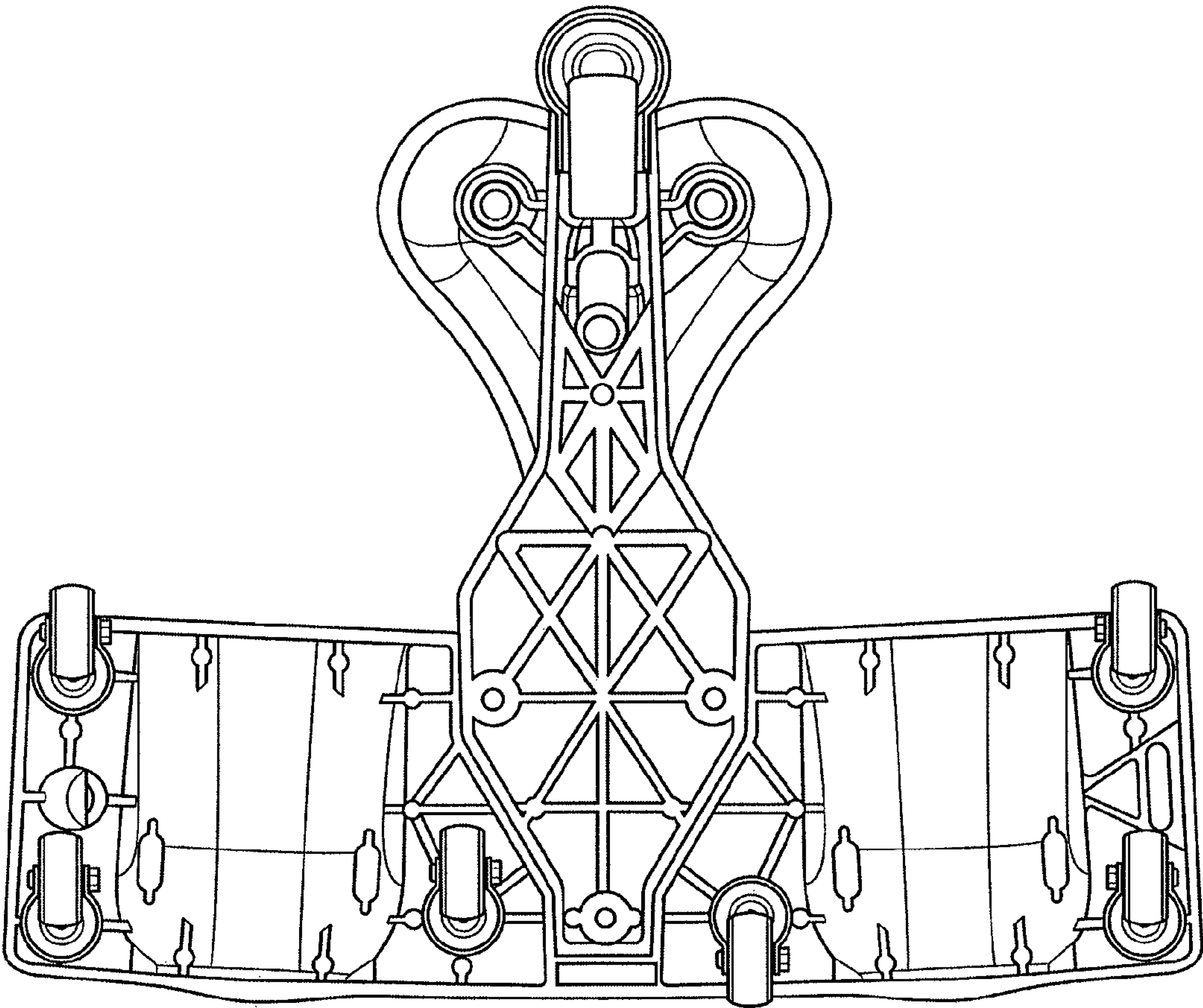


FIG. 6