



US00D658900S

(12) **United States Design Patent**  
**Kim**

(10) **Patent No.:** **US D658,900 S**

(45) **Date of Patent:** **\*\* May 8, 2012**

(54) **GARMENT HANGER**

(76) Inventor: **Yong Kim**, Seongnam-si (KR)

(\*\*) Term: **14 Years**

(21) Appl. No.: **29/406,045**

(22) Filed: **Nov. 9, 2011**

(30) **Foreign Application Priority Data**

Oct. 21, 2011 (KR) ..... 30-2011-0044013

(51) **LOC (9) Cl.** ..... **06-08**

(52) **U.S. Cl.** ..... **D6/317**

(58) **Field of Classification Search** ..... D6/317,  
D6/315, 318, 319, 320, 323, 324, 325, 462;  
D8/349, 354, 370; D24/128; 206/9, 278;  
211/1, 85.3, 113, 118, 119, 181.1; 223/1,  
223/85-98

See application file for complete search history.

(56) **References Cited**

**U.S. PATENT DOCUMENTS**

D390,012 S \* 2/1998 Goodman et al. .... D6/323  
5,904,278 A \* 5/1999 Barlow et al. .... 223/85  
D422,152 S \* 4/2000 Yeh ..... D6/317  
6,186,376 B1 \* 2/2001 Hyun ..... 223/1  
D438,390 S \* 3/2001 Davis ..... D6/317  
6,196,509 B1 \* 3/2001 Clemens ..... 248/302

D440,053 S \* 4/2001 Richter ..... D6/317  
D481,208 S \* 10/2003 Scola ..... D6/317  
D571,193 S \* 6/2008 Goodman et al. .... D8/372  
D580,662 S \* 11/2008 Varela ..... D6/317  
D629,624 S \* 12/2010 Marchand ..... D6/317

\* cited by examiner

*Primary Examiner* — Derrick Holland

(74) *Attorney, Agent, or Firm* — Cantor Colburn LLP

(57) **CLAIM**

The ornamental design for a garment hanger, as shown and described.

**DESCRIPTION**

FIG. 1 is a perspective view of a garment hanger showing my new design;

FIG. 2 is a front view thereof;

FIG. 3 is a rear view thereof;

FIG. 4 is a left side view thereof;

FIG. 5 is a right side view thereof;

FIG. 6 is a top plan view thereof;

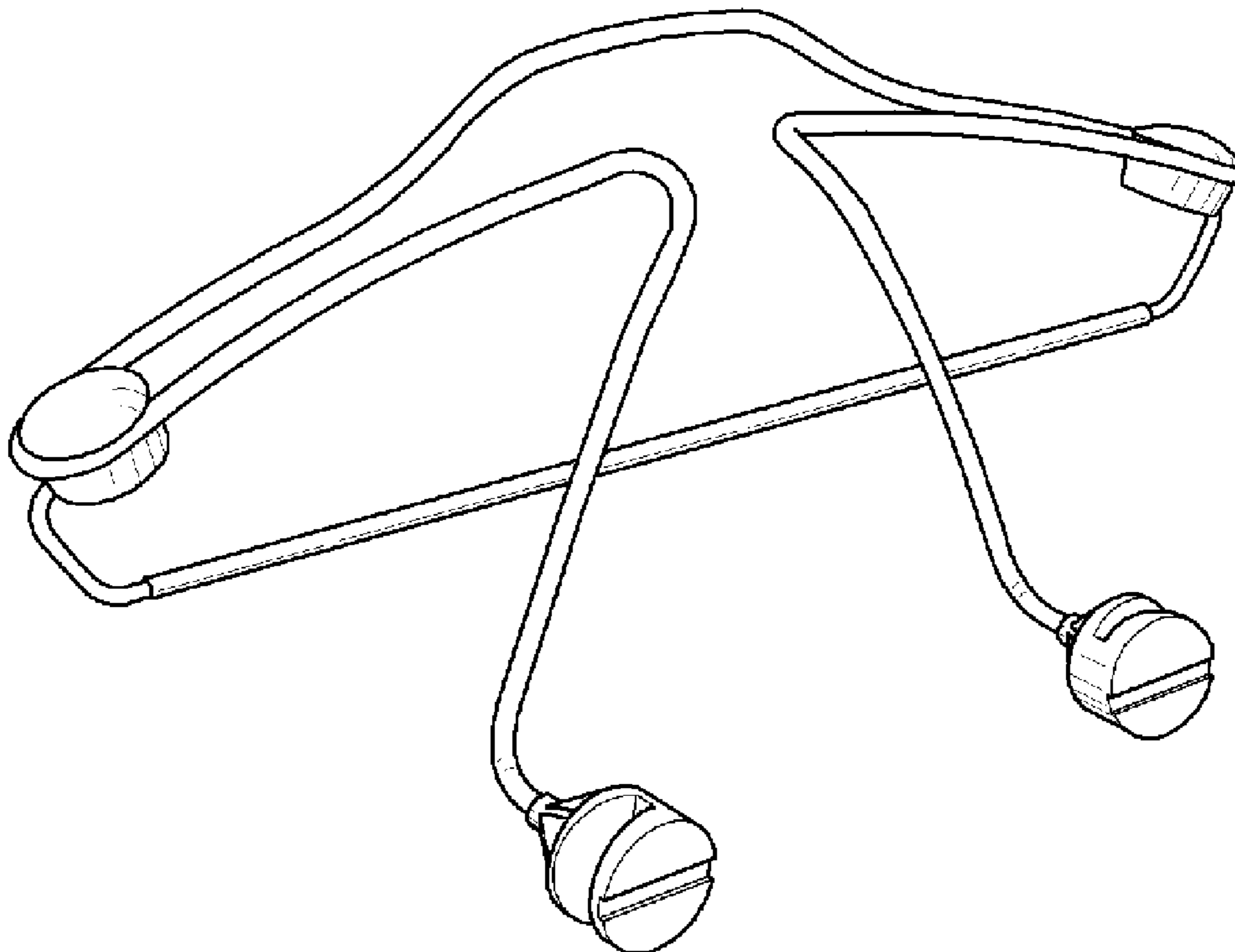
FIG. 7 is a bottom plan view thereof;

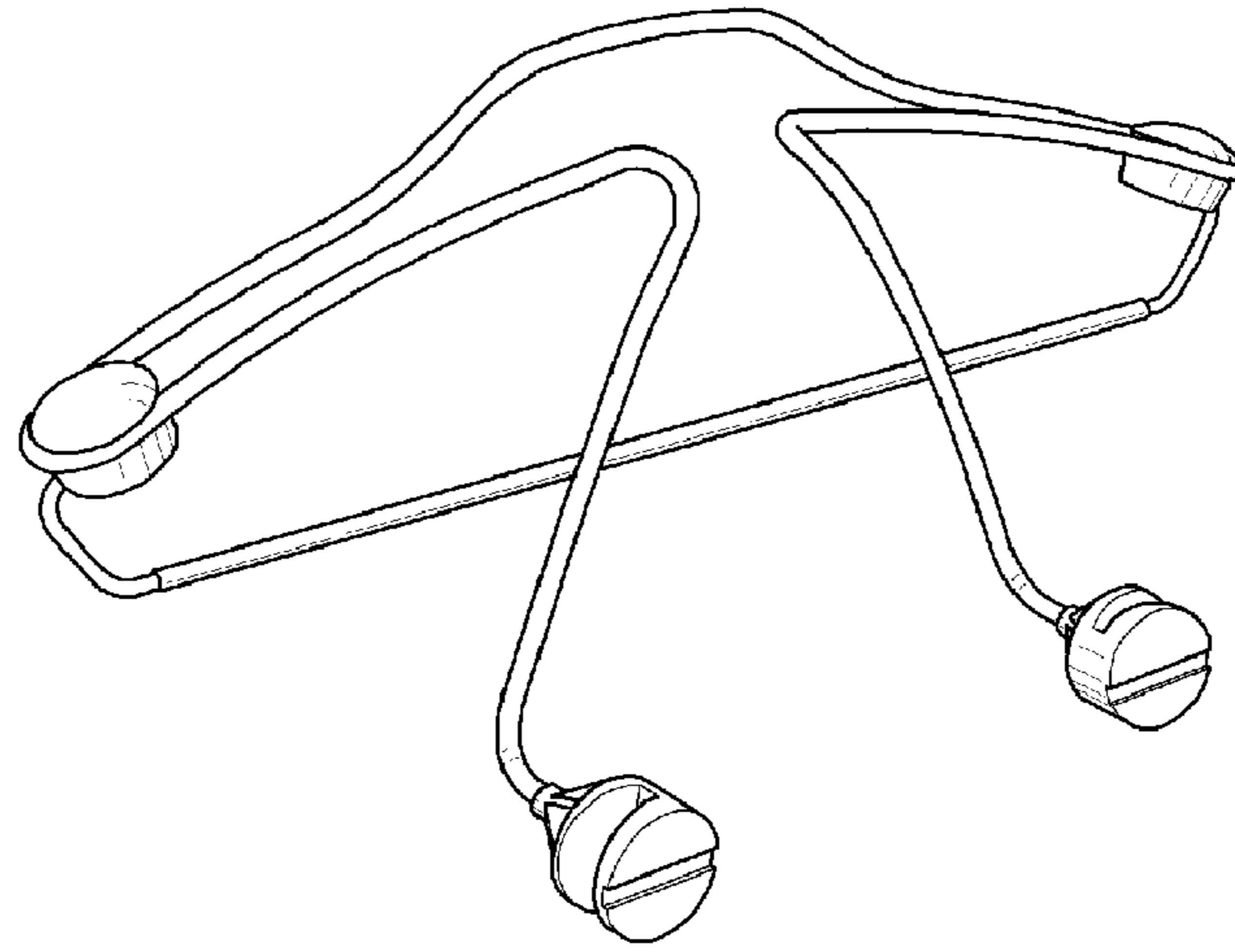
FIG. 8 is a reference perspective view showing use of the garment hanger; and,

FIG. 9 is a reference perspective view showing use of the garment hanger.

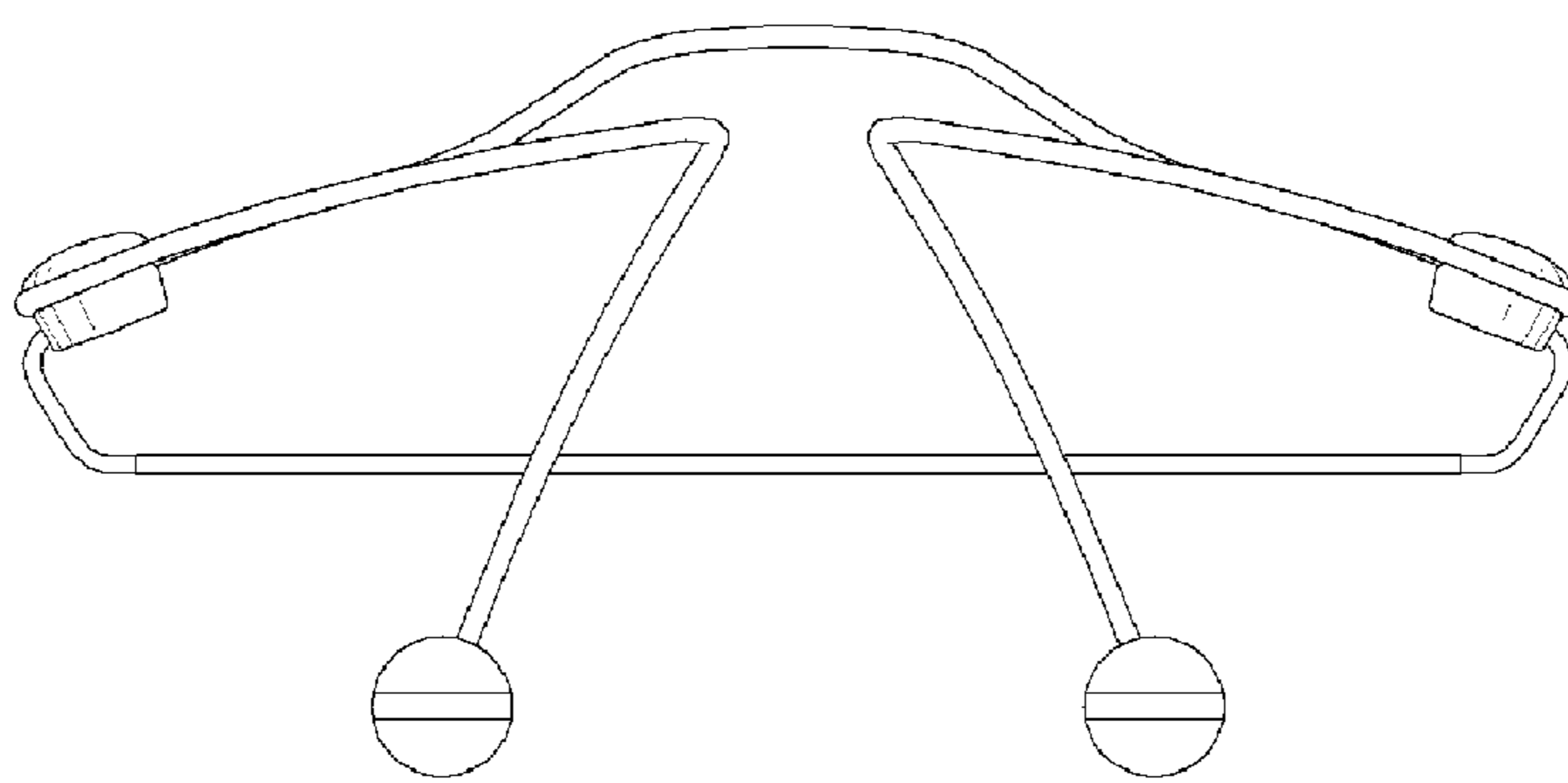
The broken lines shown represent unclaimed subject matter and form no part of the claimed design.

**1 Claim, 6 Drawing Sheets**

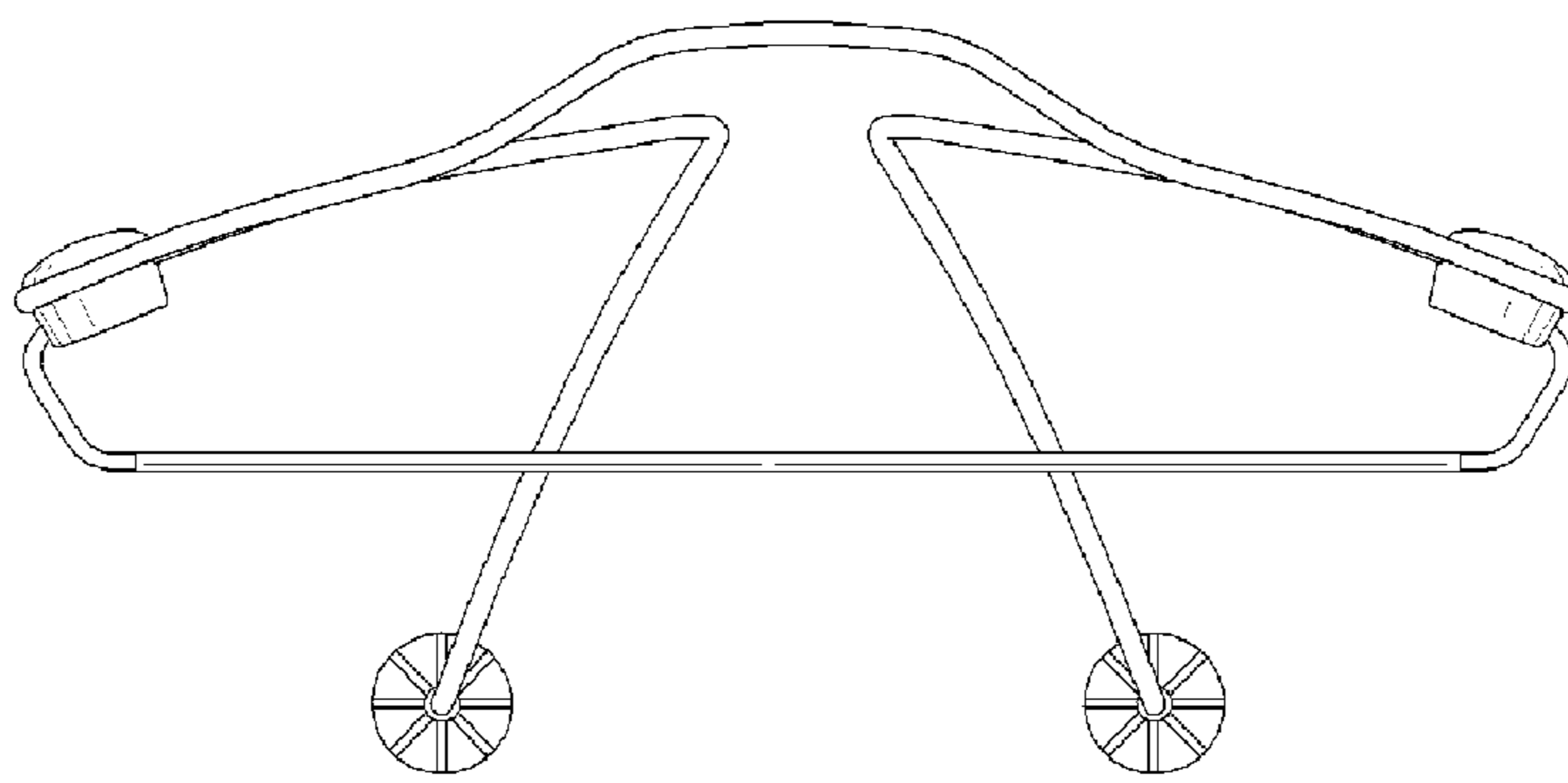




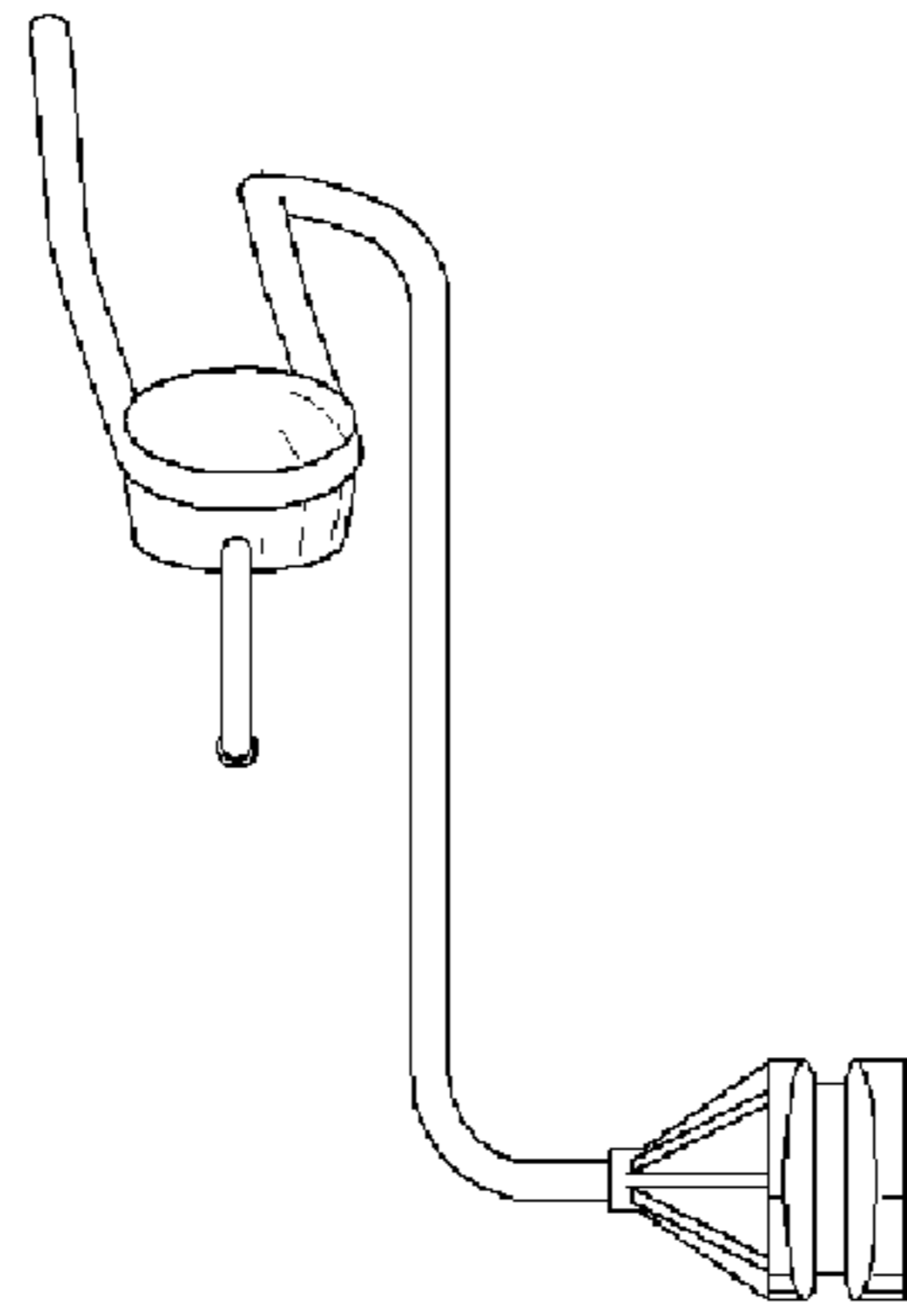
*FIG. 1*



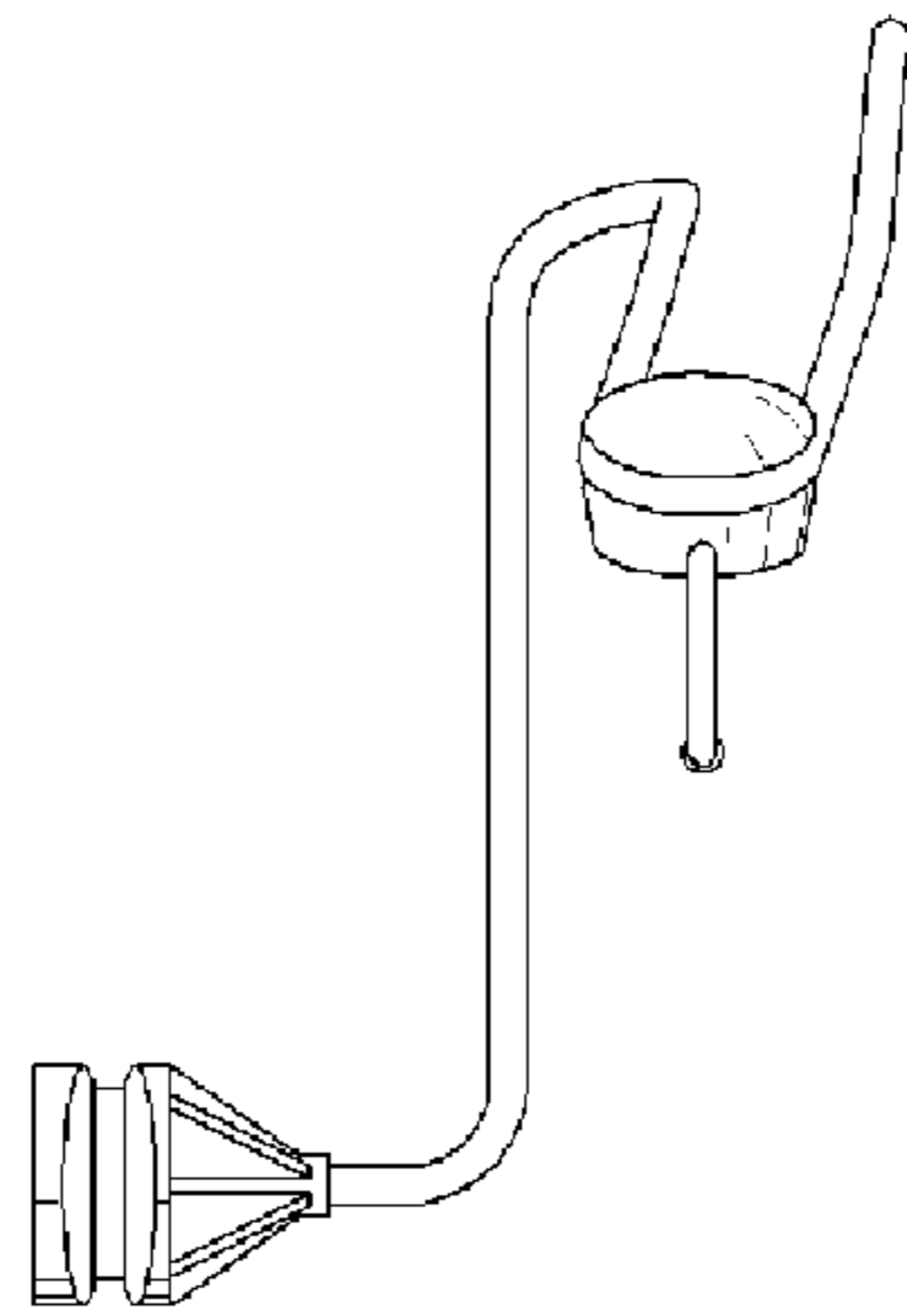
*FIG. 2*



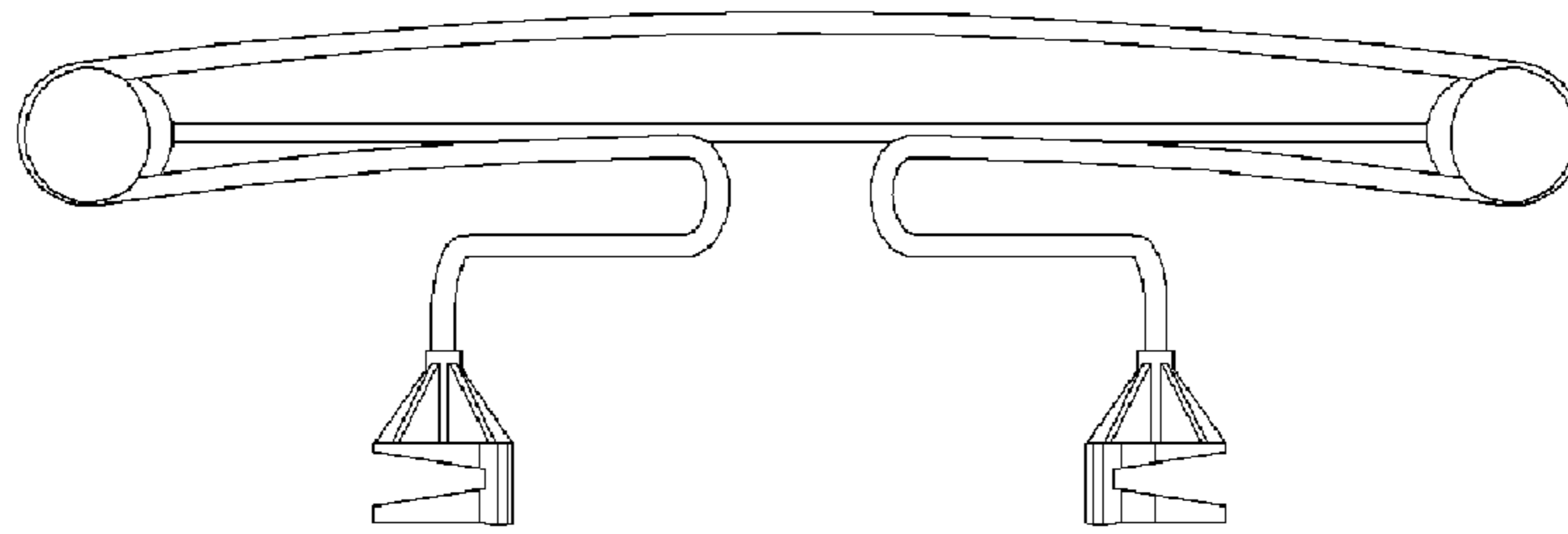
*FIG. 3*



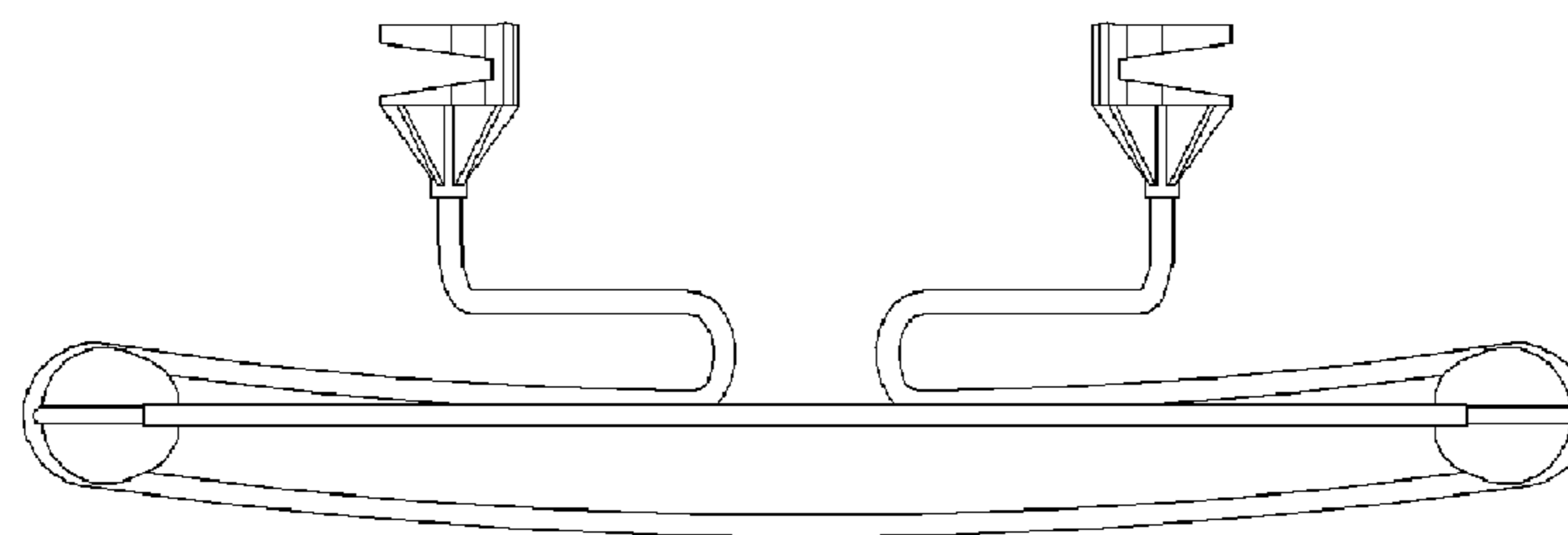
*FIG. 4*



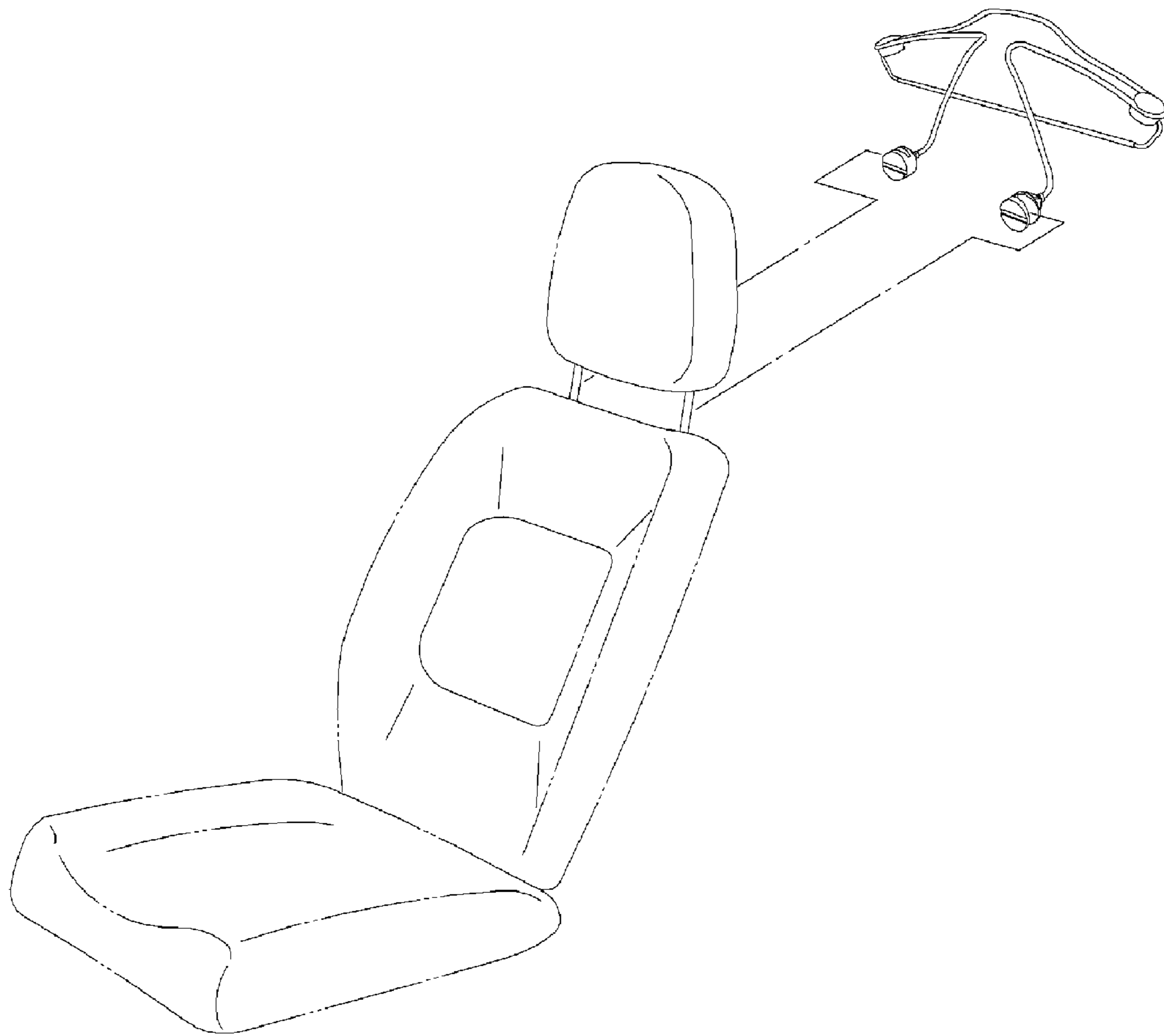
*FIG. 5*



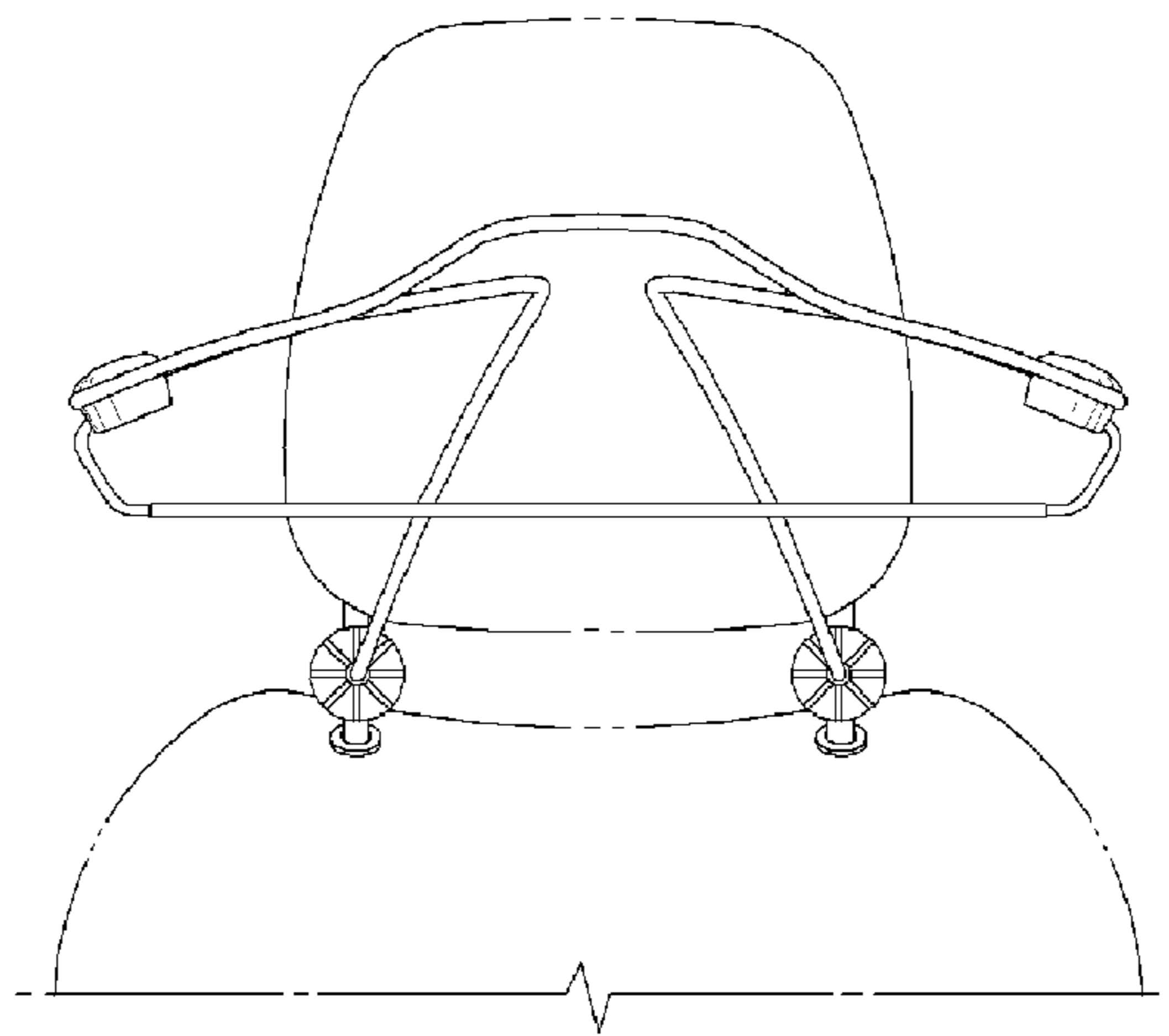
*FIG. 6*



*FIG. 7*



*FIG. 8*



*FIG. 9*