



US00D658898S

(12) **United States Design Patent**  
**DiNello et al.**

(10) **Patent No.:** **US D658,898 S**

(45) **Date of Patent:** **\*\* May 8, 2012**

(54) **FRAME WITH CLIP**

(56) **References Cited**

(75) Inventors: **Salvatore Joseph Franco DiNello**,  
Macomb, MI (US); **Michael John**  
**Abraham, Jr.**, Grosse Pointe Woods, MI  
(US)

U.S. PATENT DOCUMENTS

D137,047	S	*	1/1944	Halpern	.....	D6/310
D413,293	S	*	8/1999	Haas et al.	.....	D12/191
D623,866	S	*	9/2010	Shaha	.....	D6/300
D632,338	S	*	2/2011	Pascale	.....	D19/65
D632,346	S	*	2/2011	Hardstaff	.....	D21/501

\* cited by examiner

(73) Assignee: **Visor Frames, LLC**, Clinton Township,  
MI (US)

*Primary Examiner* — Philip S Hyder

*Assistant Examiner* — Sydney Buffalow

(74) *Attorney, Agent, or Firm* — Dobrusin & Thennisch PC

(\*\*) Term: **14 Years**

(57) **CLAIM**

The ornamental design for a frame with clip, as shown and described.

(21) Appl. No.: **29/401,238**

**DESCRIPTION**

(22) Filed: **Sep. 9, 2011**

FIG. 1 is a perspective view of the present invention.

(51) **LOC (9) Cl.** ..... **06-07**

FIG. 2 is a rear elevational view thereof.

(52) **U.S. Cl.** ..... **D6/300**

FIG. 3 is a front elevational view thereof.

(58) **Field of Classification Search** ..... D6/300-314,

FIG. 4 is a bottom plan view thereof.

FIG. 5 is a top plan view thereof.

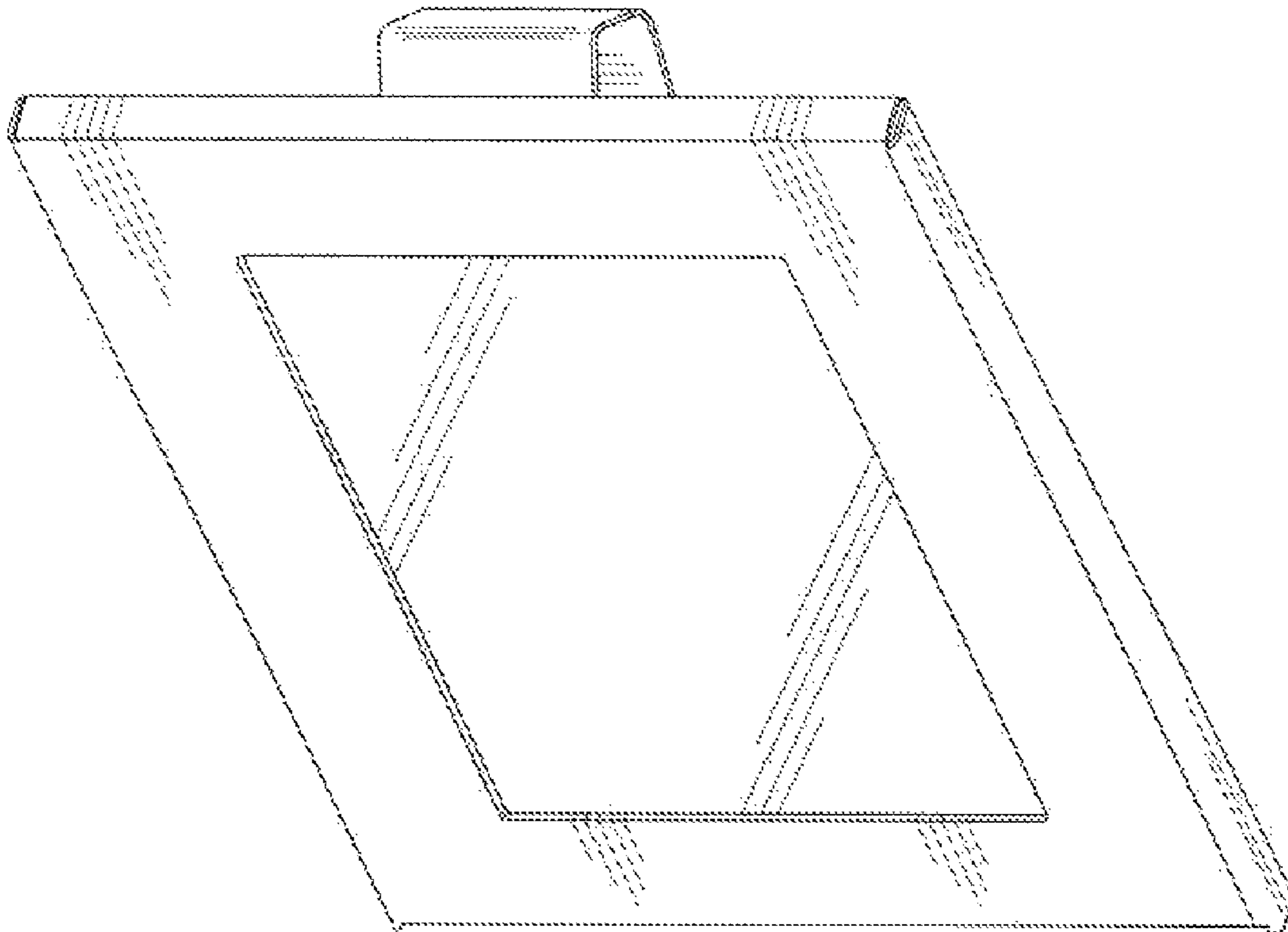
FIG. 6 is a side view thereof; and,

FIG. 7 is an opposing side view thereof.

D6/444; D12/191; D21/501; D19/65; 40/700

See application file for complete search history.

**1 Claim, 3 Drawing Sheets**



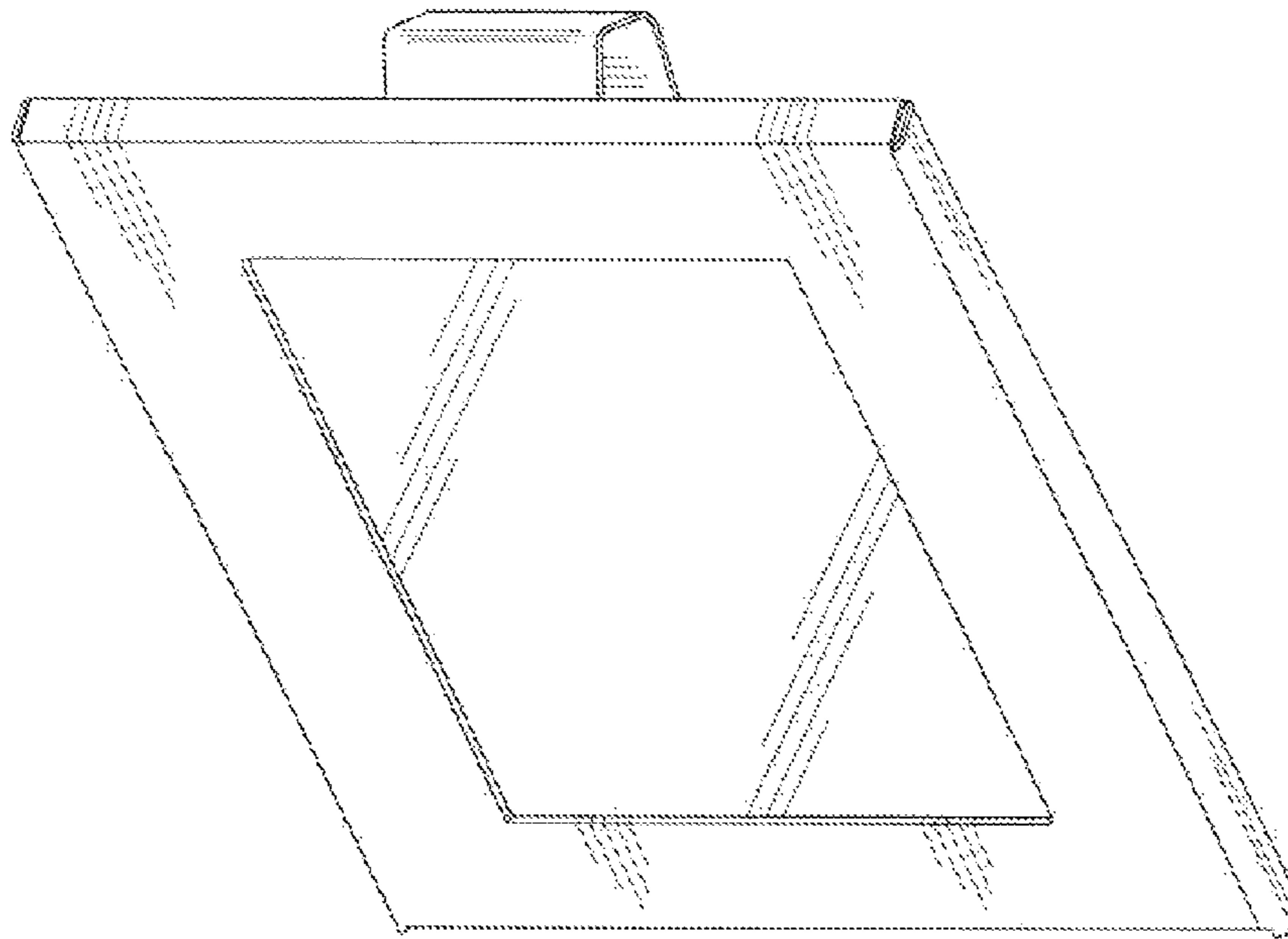


Fig - 1

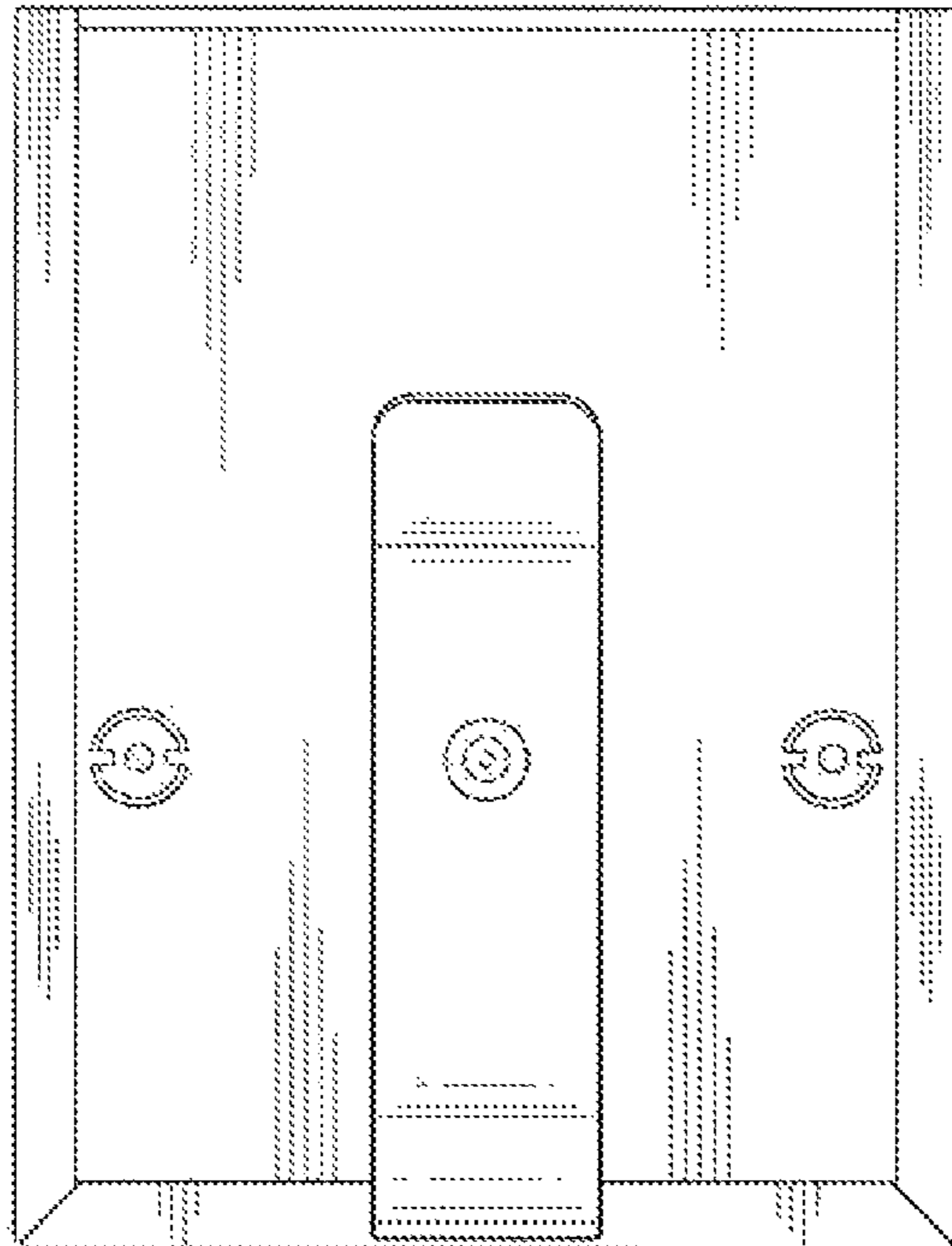


Fig - 2

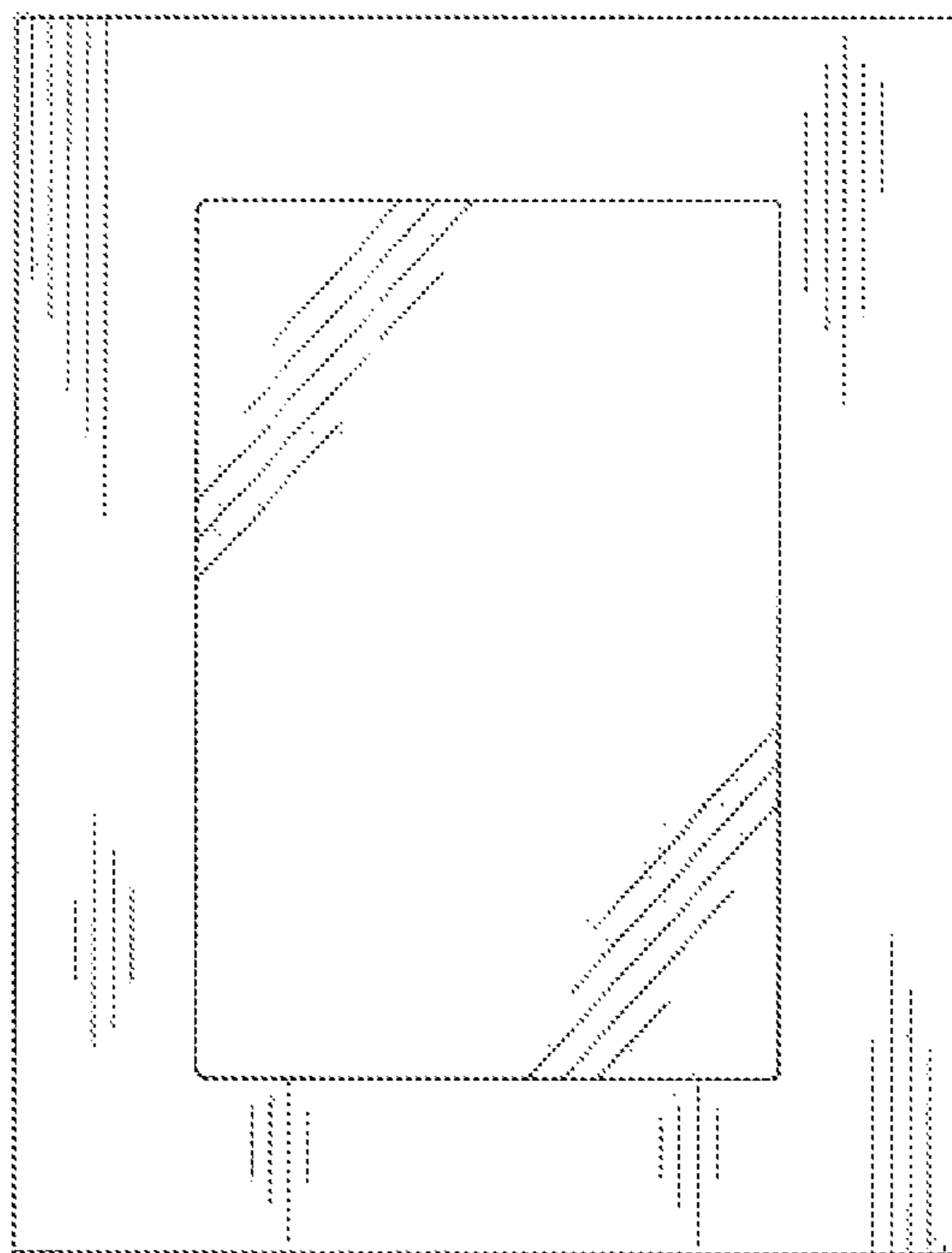


Fig - 3

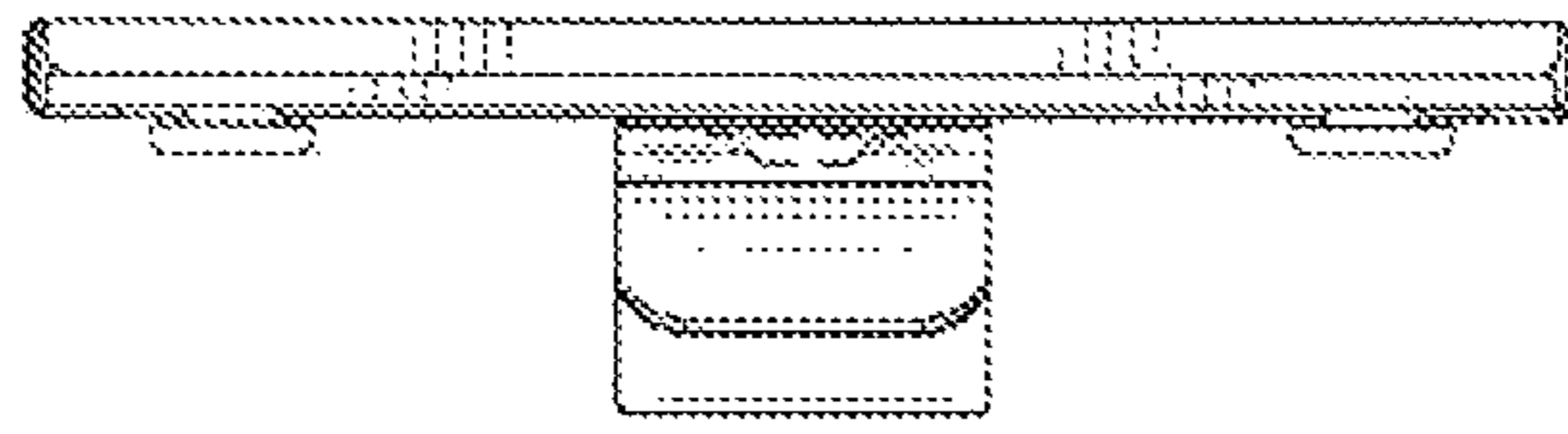


Fig - 4

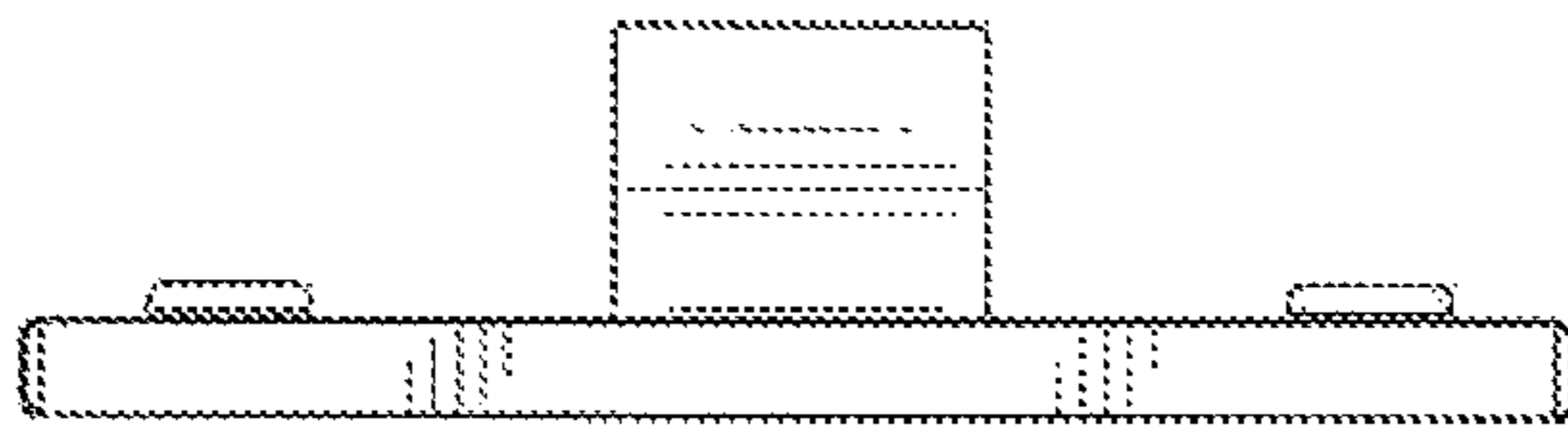


Fig - 5

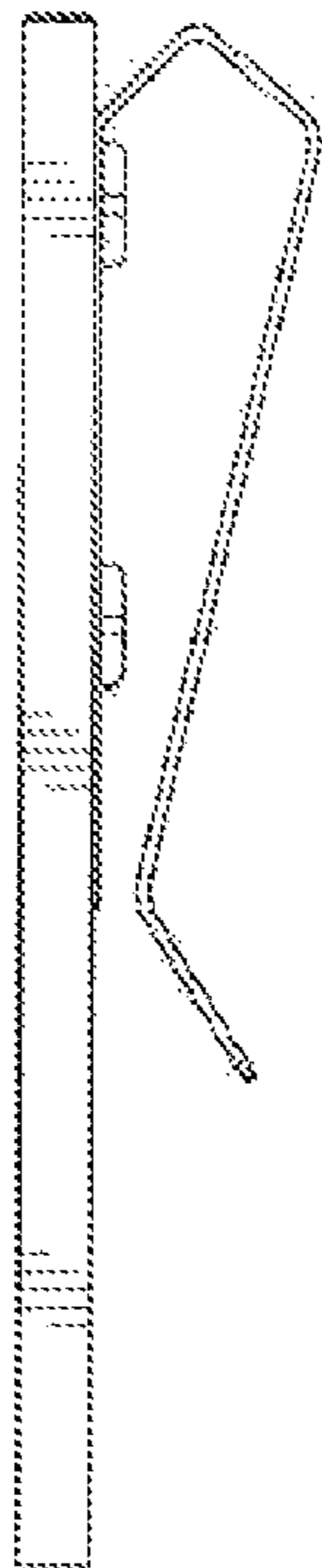


Fig - 6

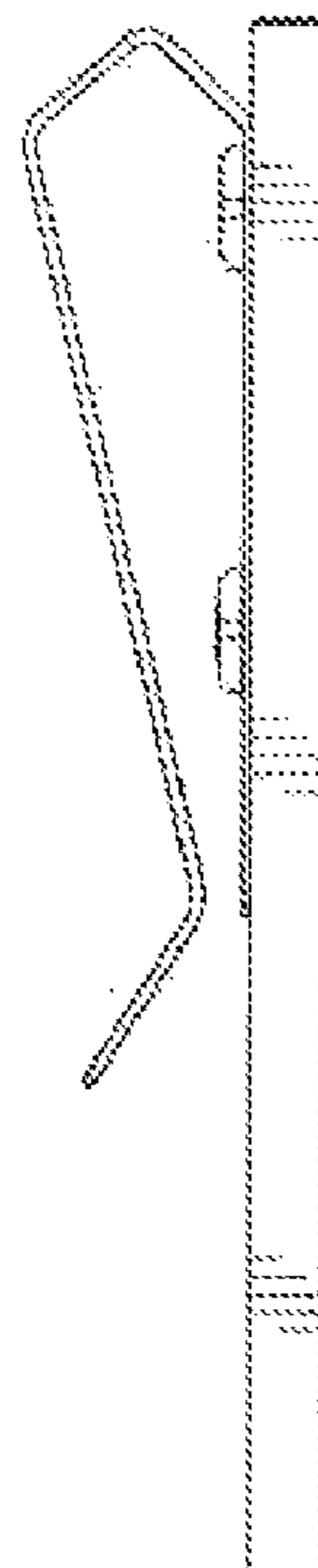


Fig - 7