

US00D658894S

(12) **United States Design Patent**
Zemel

(10) **Patent No.:** **US D658,894 S**

(45) **Date of Patent:** **** May 8, 2012**

(54) **GRILL BRUSH**

(75) Inventor: **Marc Zemel**, Melville, NY (US)

(73) Assignee: **Mr. BAR-B-Q-, Inc.**, Old Bethpage, NY (US)

(**) Term: **14 Years**

(21) Appl. No.: **29/410,072**

(22) Filed: **Jan. 4, 2012**

(51) **LOC (9) Cl.** **04-01**

(52) **U.S. Cl.** **D4/131**

(58) **Field of Classification Search** D4/119,
D4/120, 131, 132, 134, 114, 118; 15/159.1,
15/160, 106, 114, 118, 206

See application file for complete search history.

(56) **References Cited**

U.S. PATENT DOCUMENTS

D358,491 S *	5/1995	Hoagland	D4/138
D429,889 S *	8/2000	Fielding	D4/118
D456,614 S *	5/2002	Zemel	D4/134
D567,511 S *	4/2008	Borovicka et al.	D4/129
D572,011 S *	7/2008	Zemel	D4/138
D601,347 S *	10/2009	Wales	D4/122
D601,350 S *	10/2009	Wales	D4/199
D601,808 S *	10/2009	Wales	D4/119

D609,015 S *	2/2010	Borovicka et al.	D4/138
D632,088 S *	2/2011	Zemel	D4/131
D652,629 S *	1/2012	Zemel	D4/131
D654,272 S *	2/2012	Zemel	D4/131

* cited by examiner

Primary Examiner — Austin Murphy

(74) *Attorney, Agent, or Firm* — Carter, DeLuca, Farrell & Schmidt LLP

(57) **CLAIM**

The ornamental design for a grill brush, as shown and described.

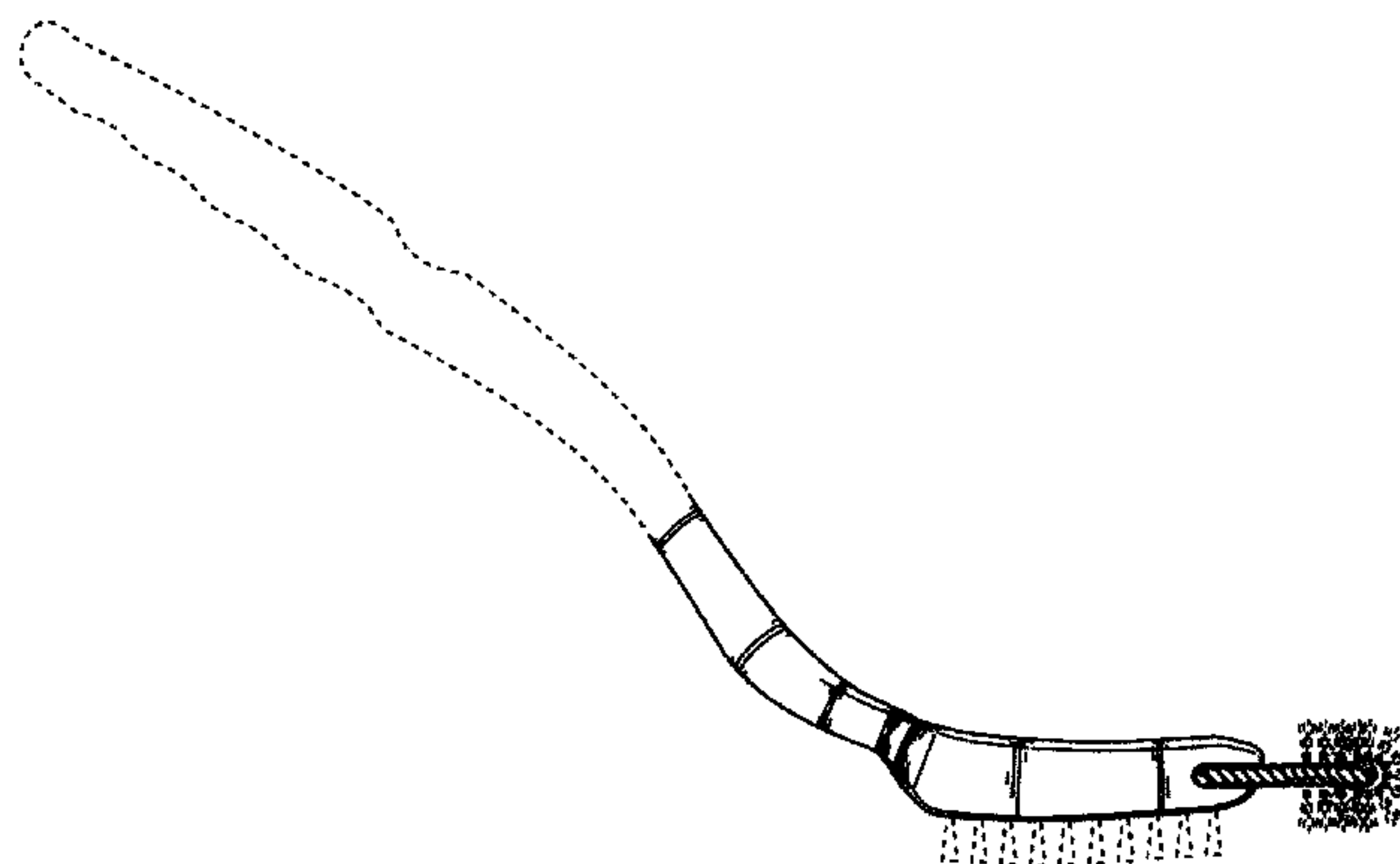
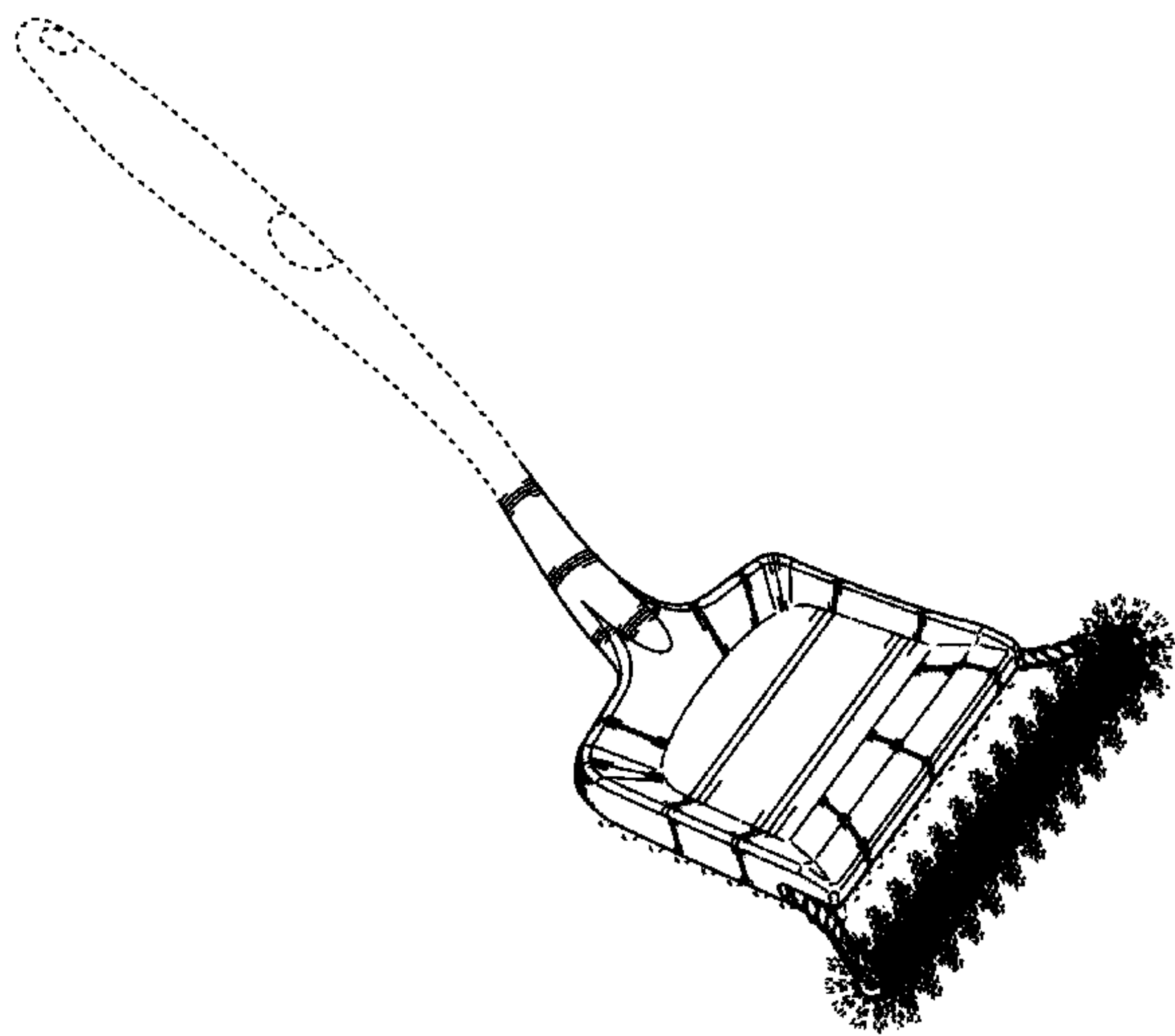
DESCRIPTION

FIG. 1 is a front side perspective view of a grill brush in accordance with the present design;
FIG. 2 is a right side elevational view thereof;
FIG. 3 is a left side elevational view thereof;
FIG. 4 is a front elevational view thereof;
FIG. 5 is a rear elevational view thereof;
FIG. 6 is a top plan view thereof; and,
FIG. 7 is a bottom plan view thereof.

The broken lines shown are included for the purpose of illustrating a portion of the grill brush that forms no part of the claimed design.

The stippling in the drawings is for shading purposes only.

1 Claim, 7 Drawing Sheets



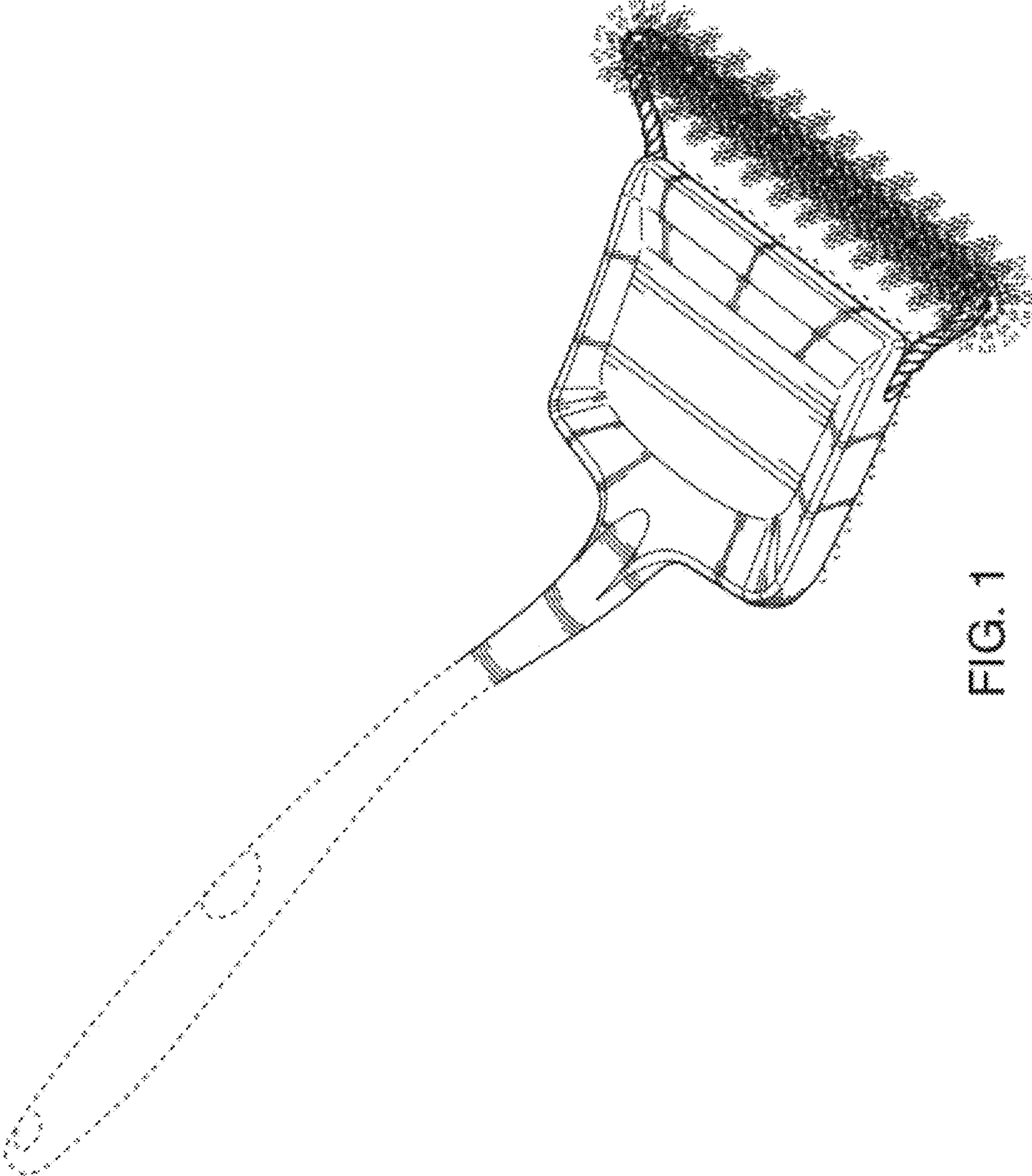


FIG. 1

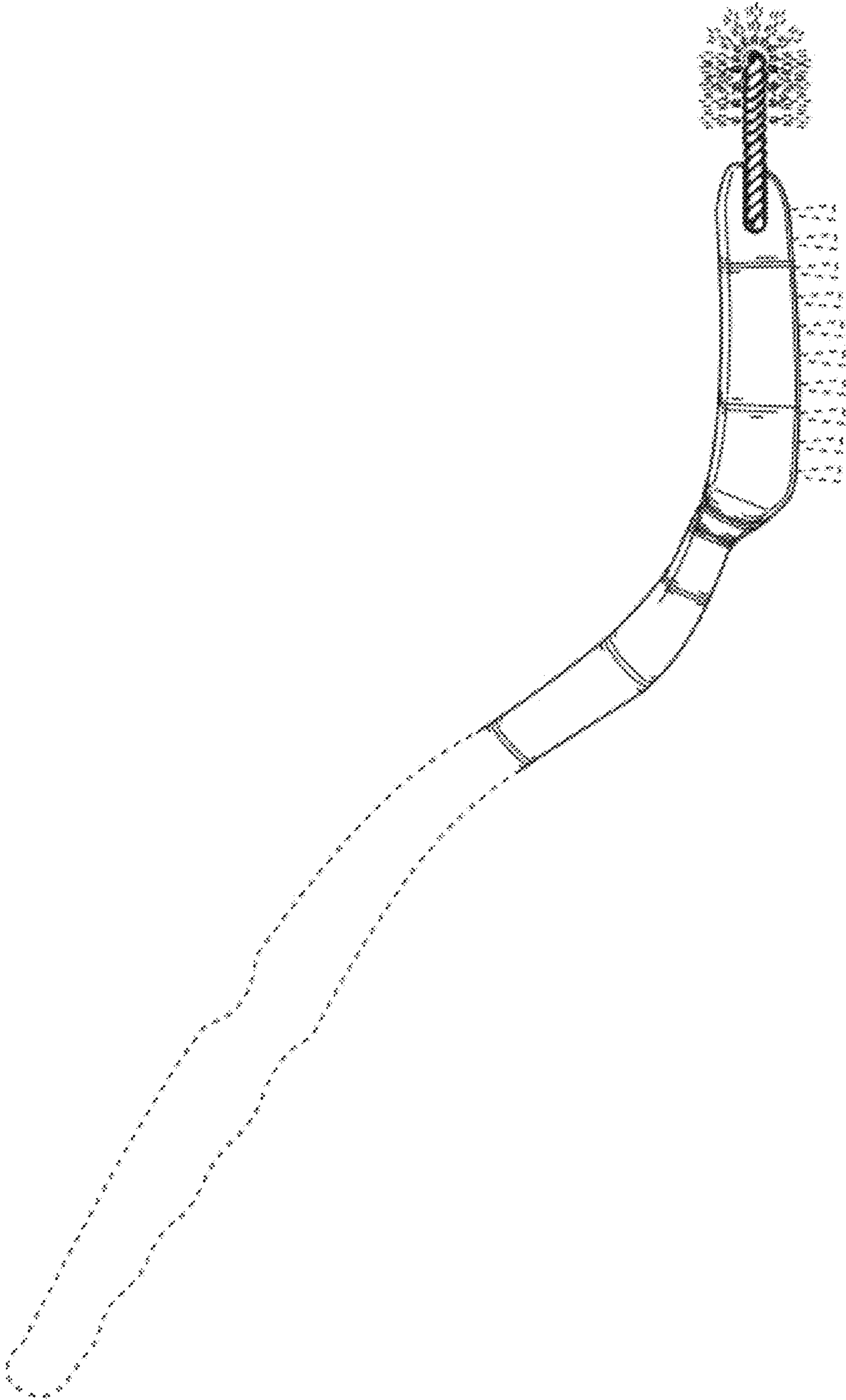


FIG. 2

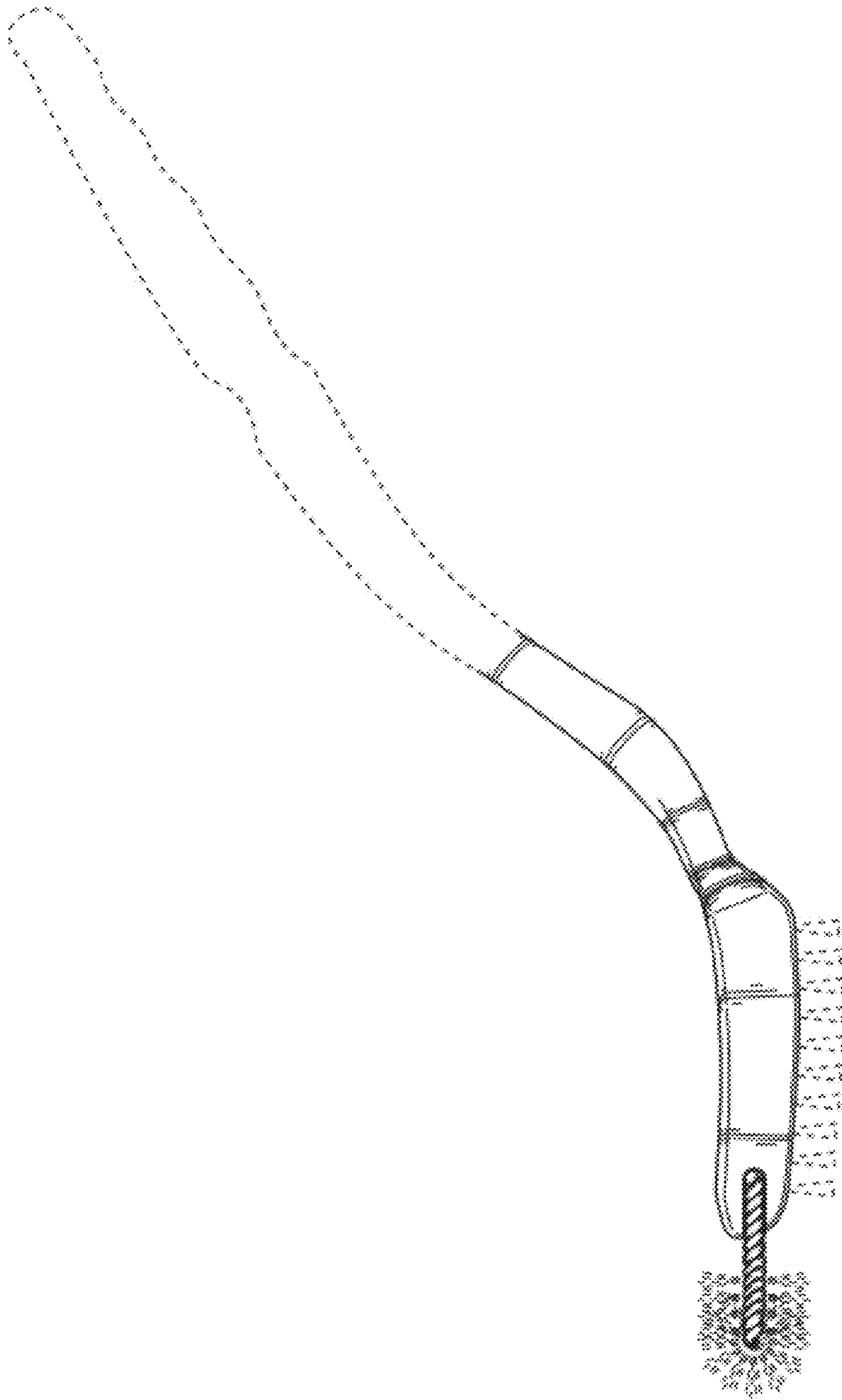


FIG. 3

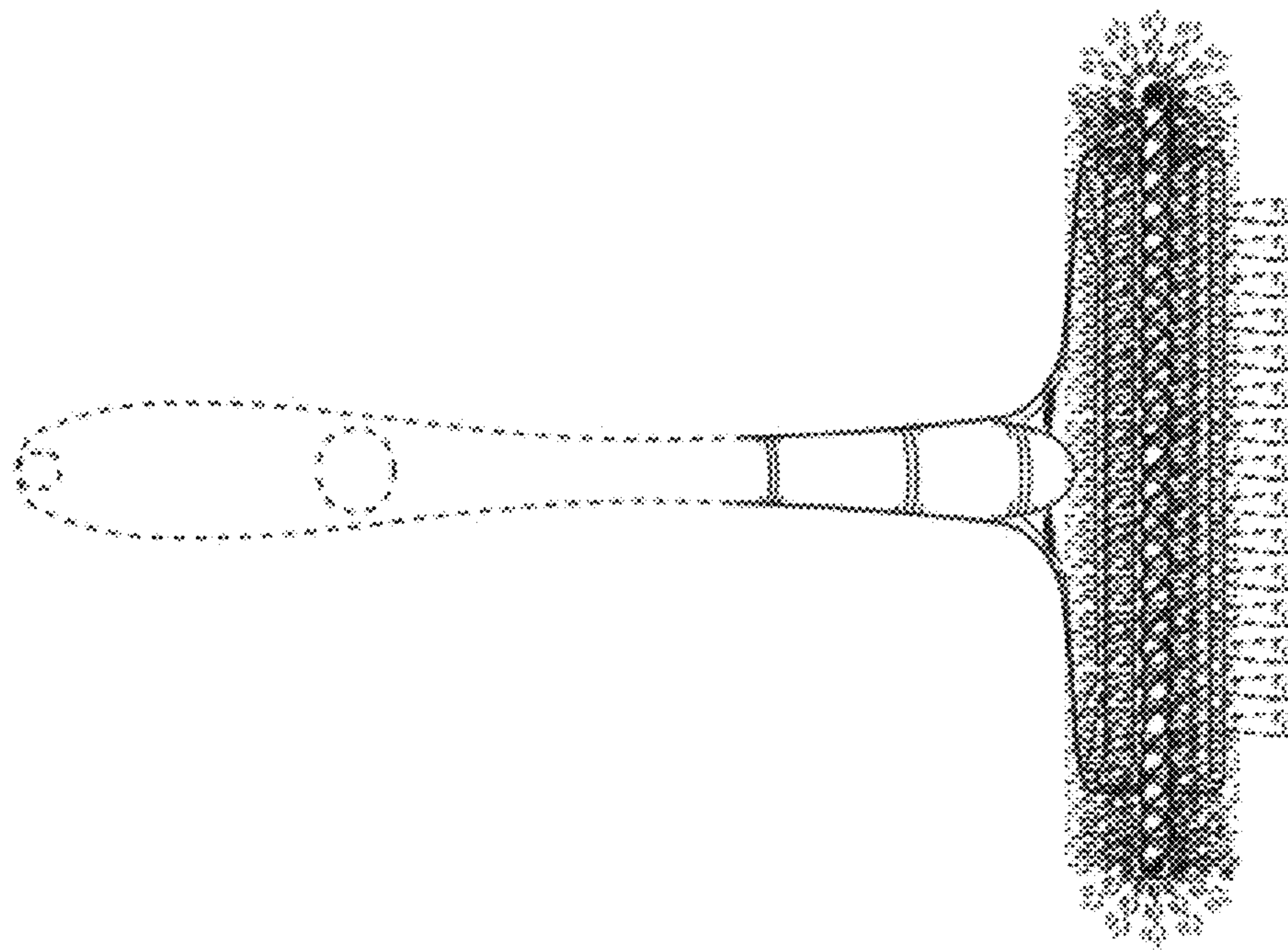


FIG. 4

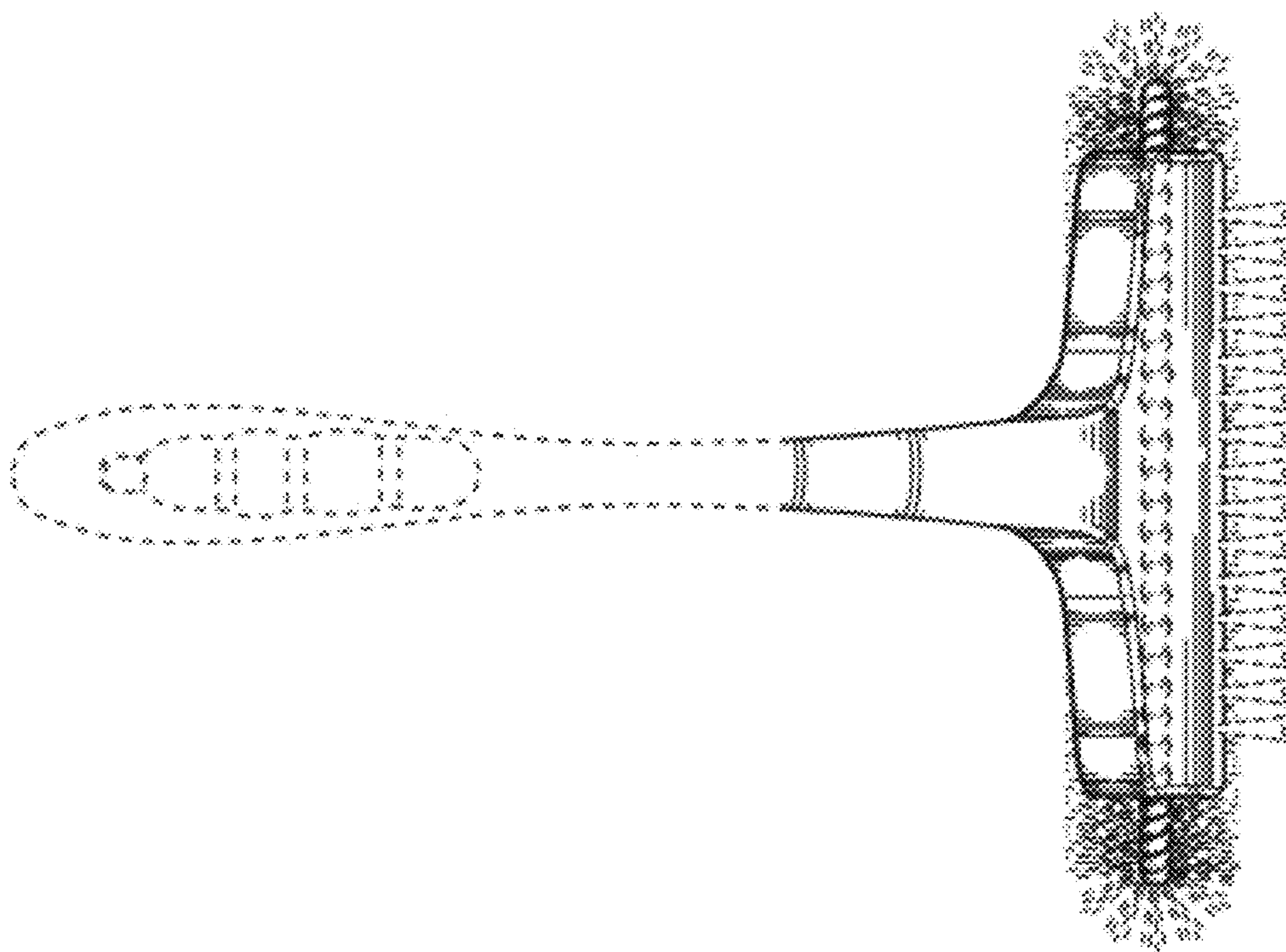


FIG. 5

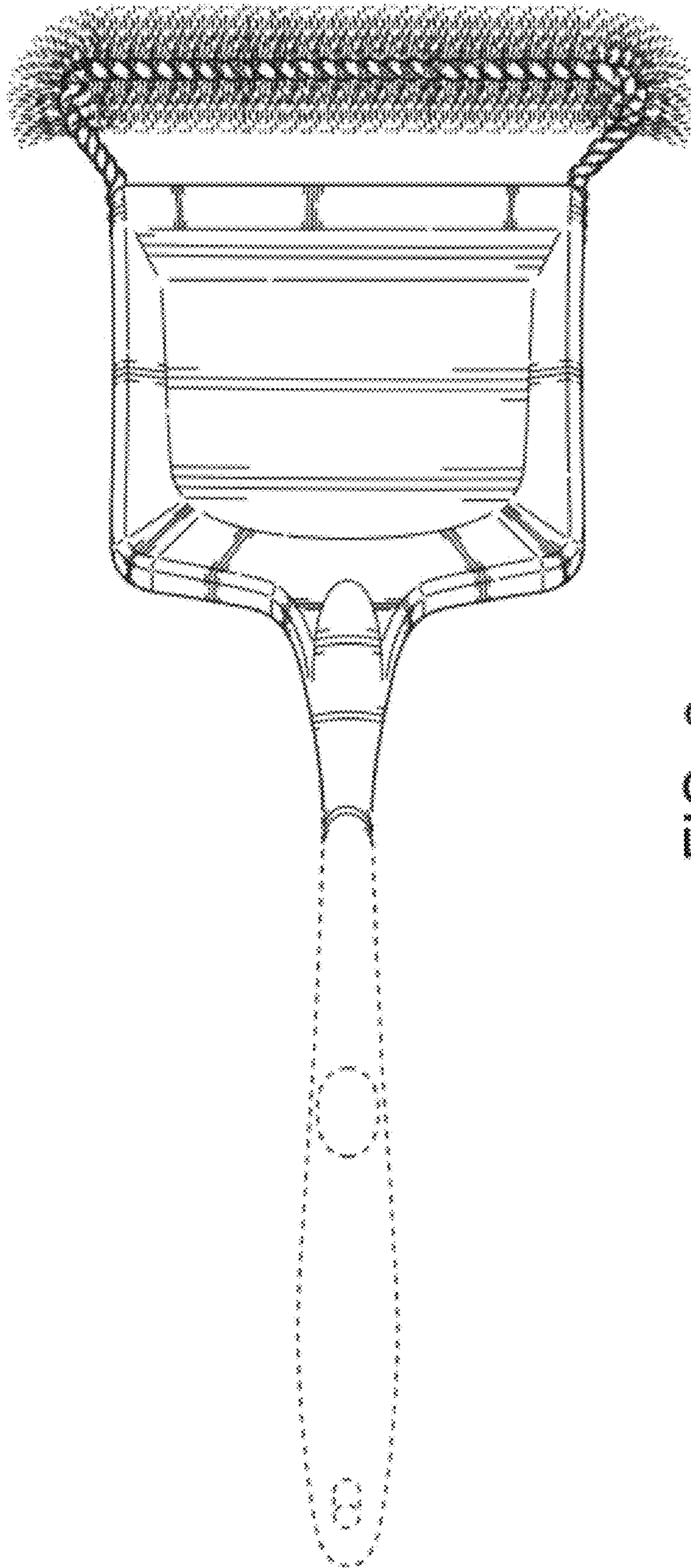


FIG. 6

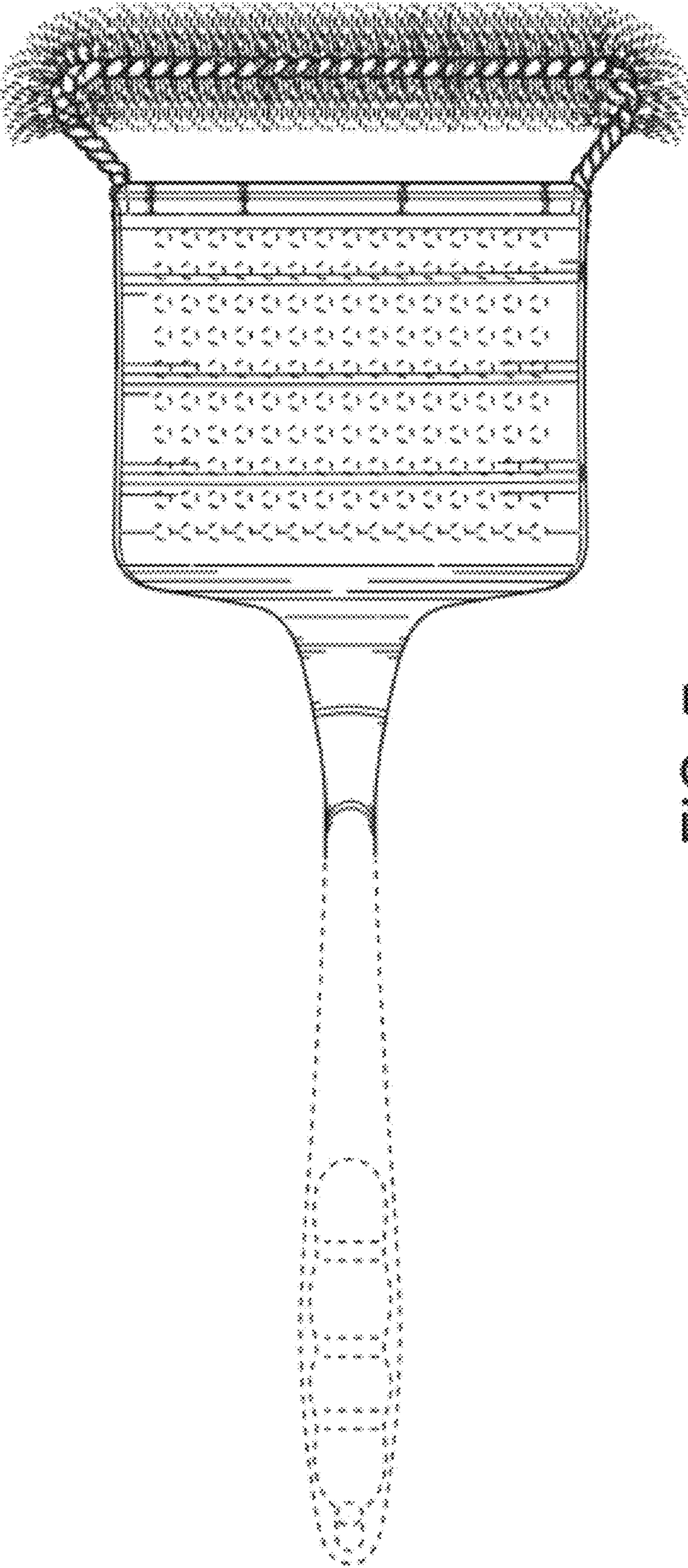


FIG. 7