



US00D658882S

(12) **United States Design Patent**  
**Cullen**

(10) **Patent No.:** **US D658,882 S**

(45) **Date of Patent:** **\*\* May 8, 2012**

(54) **PRODUCE BIN**

(75) Inventor: **Thomas P. Cullen**, Clinton Township,  
MI (US)

(73) Assignee: **Facility Solutions, Inc.**, Clinton  
Township, MI (US)

(\*\*) Term: **14 Years**

(21) Appl. No.: **29/341,871**

(22) Filed: **Aug. 13, 2009**

(51) **LOC (9) Cl.** ..... **03-01**

(52) **U.S. Cl.** ..... **D3/313**

(58) **Field of Classification Search** ..... D3/304-314;  
D6/510, 511, 491; D7/672, 553.1, 553.2,  
D7/555; 206/503, 505, 509, 512, 214; 220/532,  
220/529, 553, 523, 524, 525, 349, 345.5,  
220/345.6; 62/258, 446, 229, 465, 440; 312/114,  
312/324, 229, 240, 128

See application file for complete search history.

(56) **References Cited**

**U.S. PATENT DOCUMENTS**

|           |     |        |       |         |
|-----------|-----|--------|-------|---------|
| 767,293   | A * | 8/1904 | Kaus  | 206/214 |
| 1,684,002 | A * | 9/1928 | White | 206/373 |
| D133,046  | S * | 7/1942 | Wade  | D7/672  |
| D317,178  | S * | 5/1991 | Kheng | D19/75  |

|           |      |         |               |        |
|-----------|------|---------|---------------|--------|
| 5,247,807 | A    | 9/1993  | Jarman et al. |        |
| D385,112  | S *  | 10/1997 | Birnbaum      | D3/313 |
| 5,927,092 | A *  | 7/1999  | Kushen et al. | 62/258 |
| D494,760  | S *  | 8/2004  | Yuan          | D3/313 |
| 7,028,498 | B2 * | 4/2006  | Monroe et al. | 62/258 |

\* cited by examiner

*Primary Examiner* — Robert M Spear

*Assistant Examiner* — Rashida C McCoy

(74) *Attorney, Agent, or Firm* — Gifford, Krass, Sprinkle,  
Anderson & Citkowski, P.C.; Mark D. Schneider

(57) **CLAIM**

I claim the ornamental design for a produce bin, as shown and described.

**DESCRIPTION**

FIG. 1 is a perspective view of a produce bin according to the design, the containers for bin being shown in phantom and forming no part of the design;

FIG. 2 is a planar front view of the produce bin;

FIG. 3 is a planar rear view of the produce bin, the fluid conduits for the bin being shown in phantom here, and in FIGS. 4-7, and forming no part of the design;

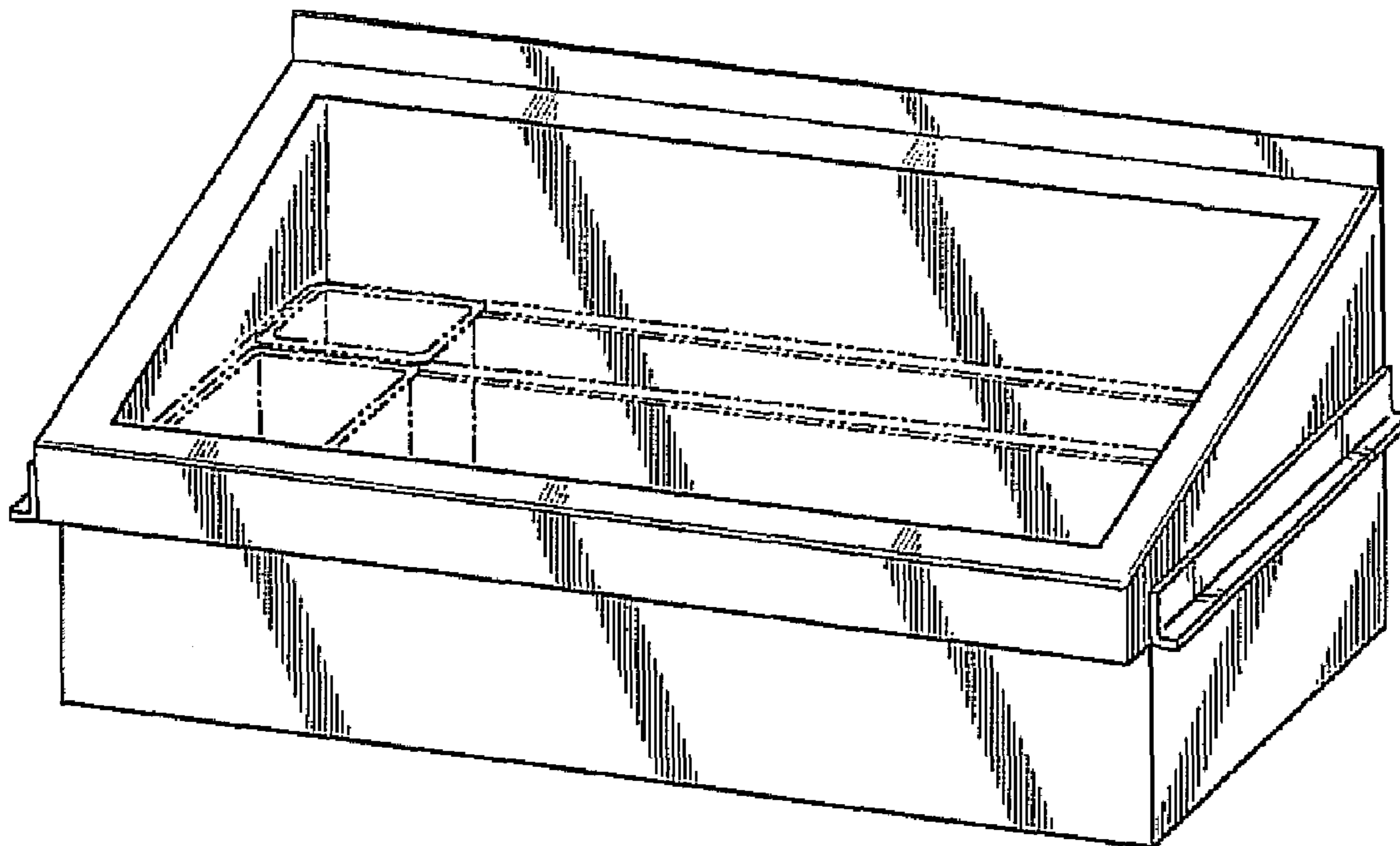
FIG. 4 is a planar top view of the produce bin;

FIG. 5 is a view of one side of the produce bin;

FIG. 6 is a view of the opposite side of the produce bin; and,

FIG. 7 is a bottom view of the produce bin.

**1 Claim, 3 Drawing Sheets**



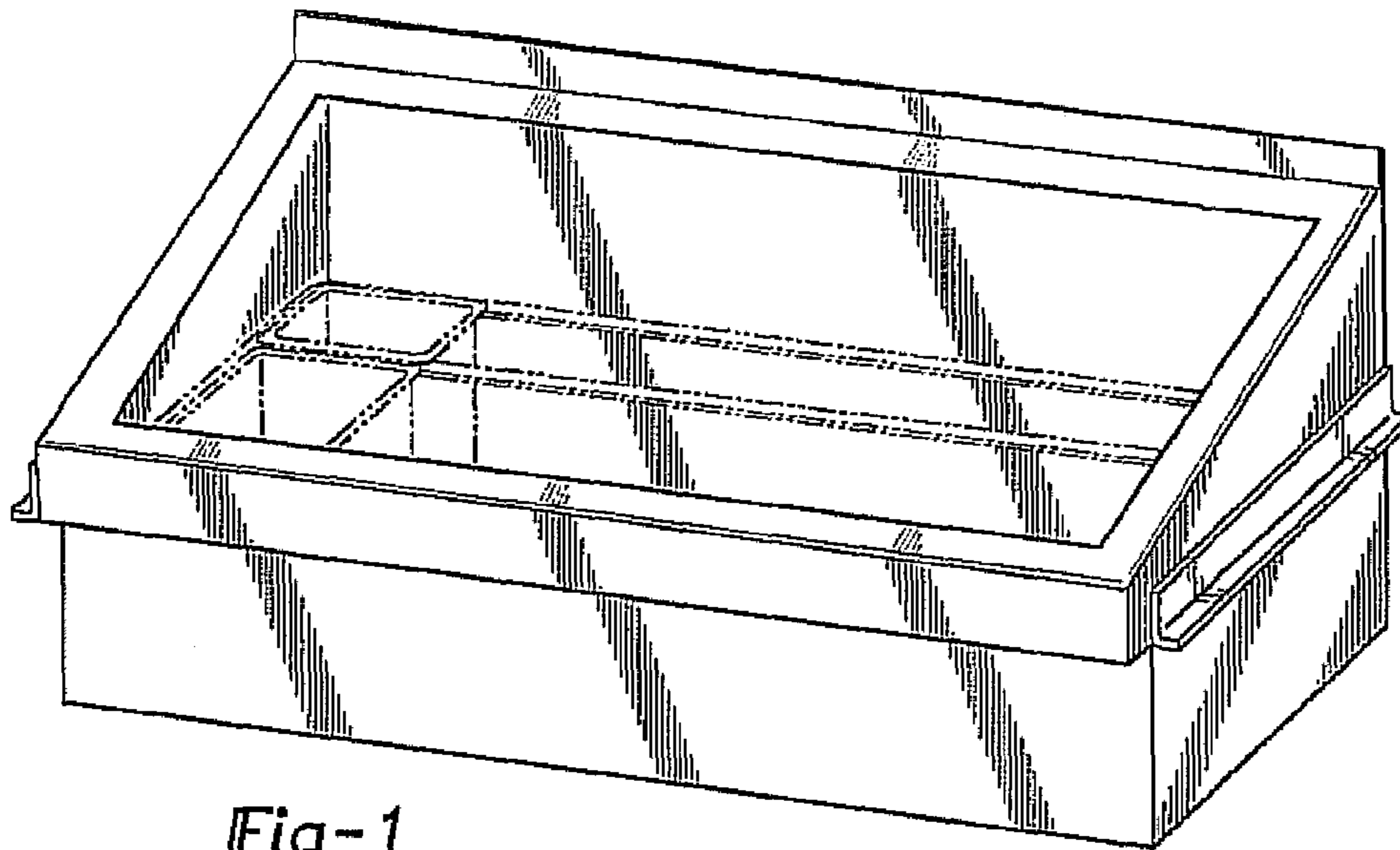


Fig-1

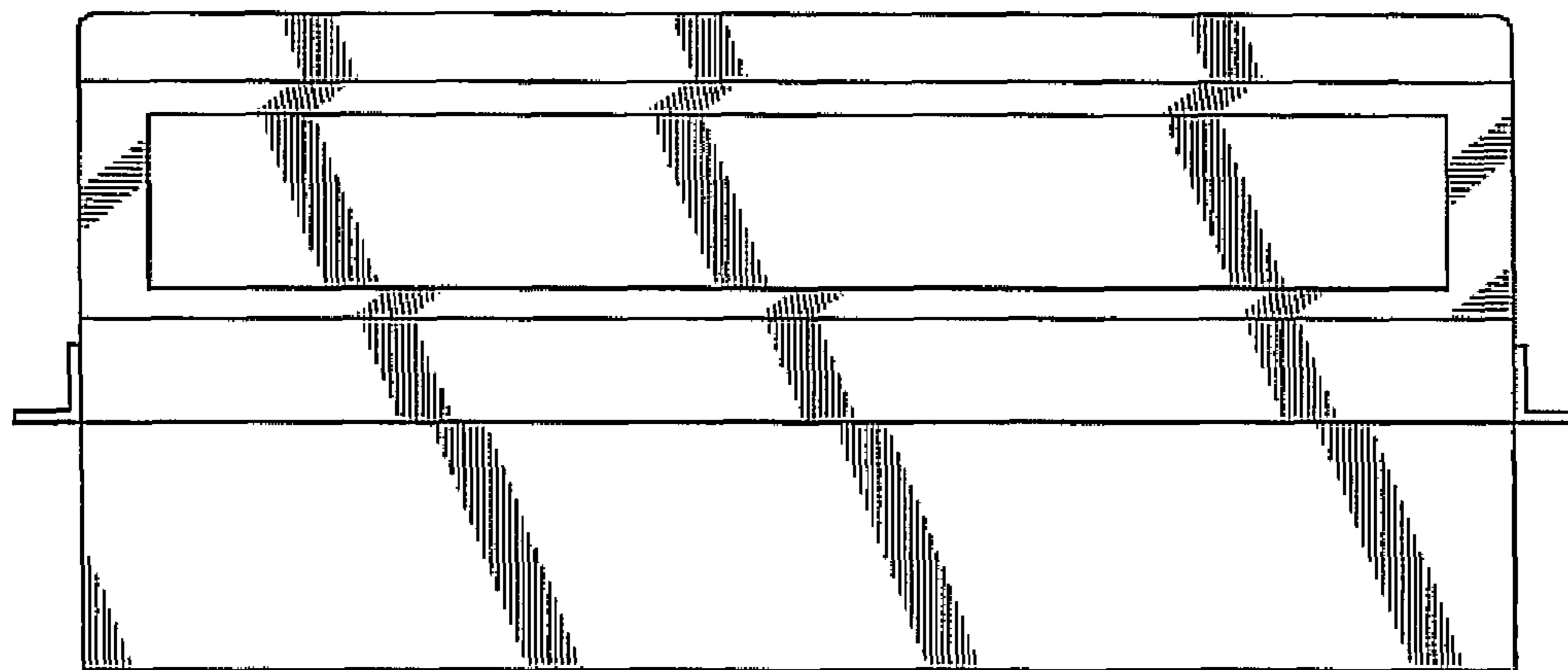


Fig-2

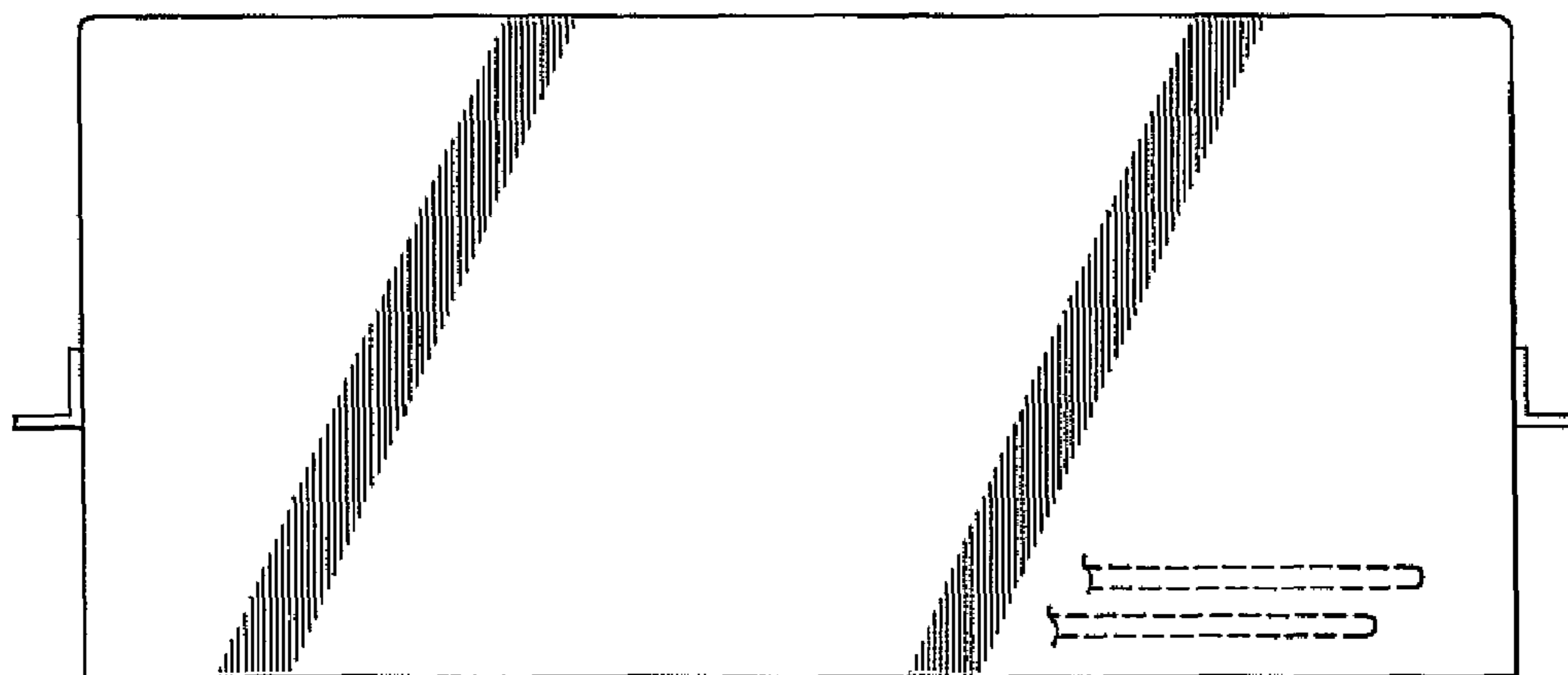


Fig-3

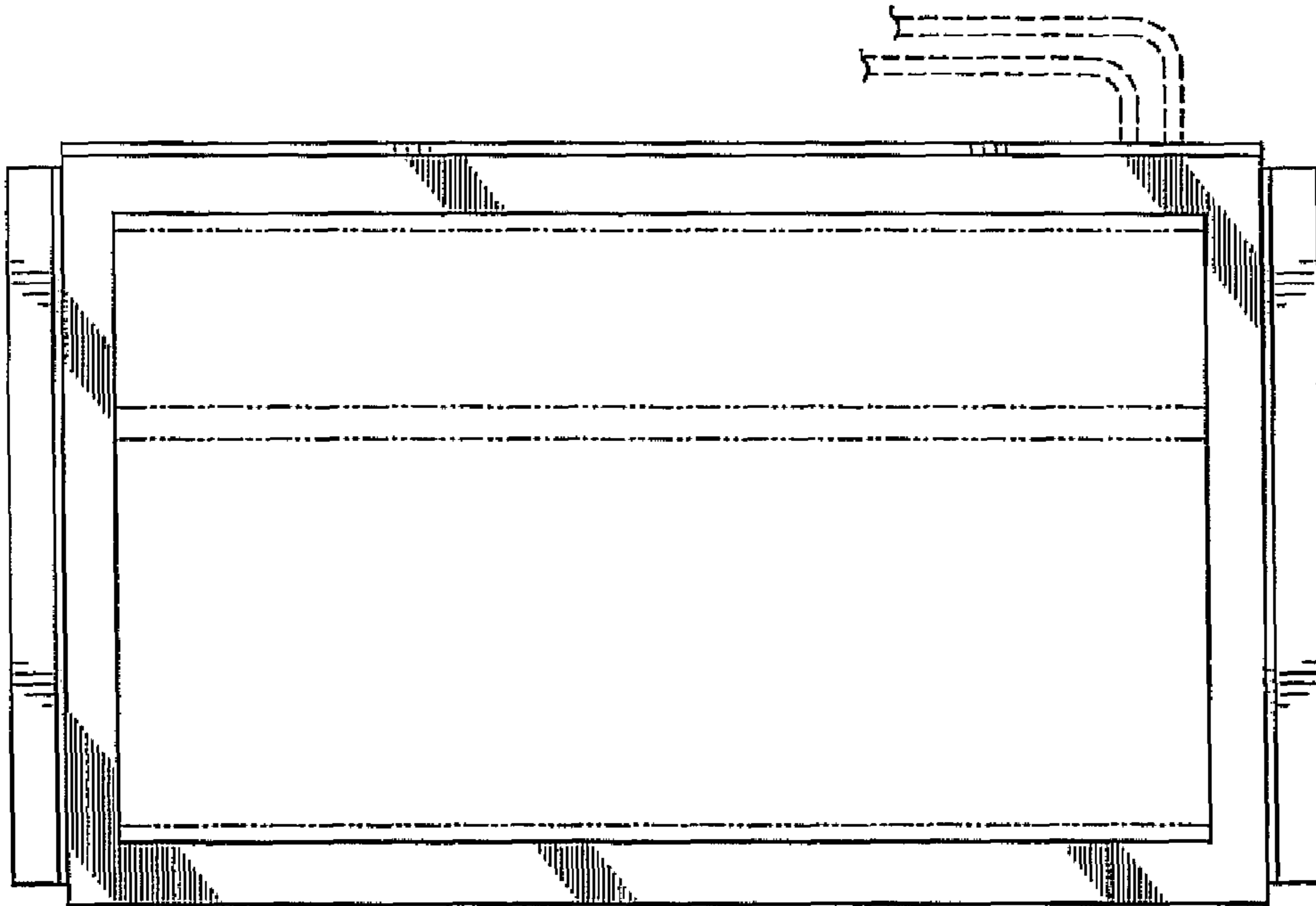


Fig-4

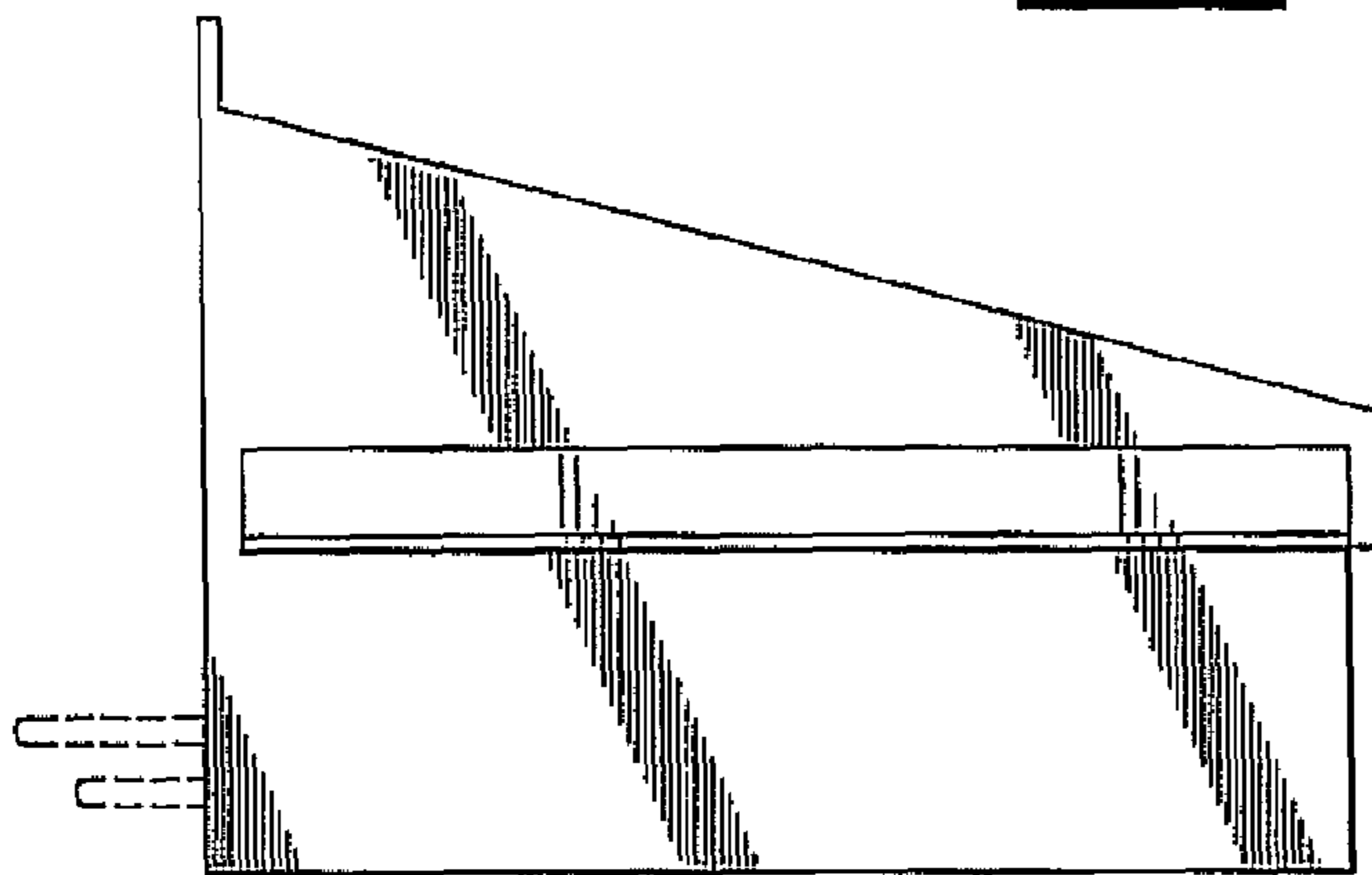
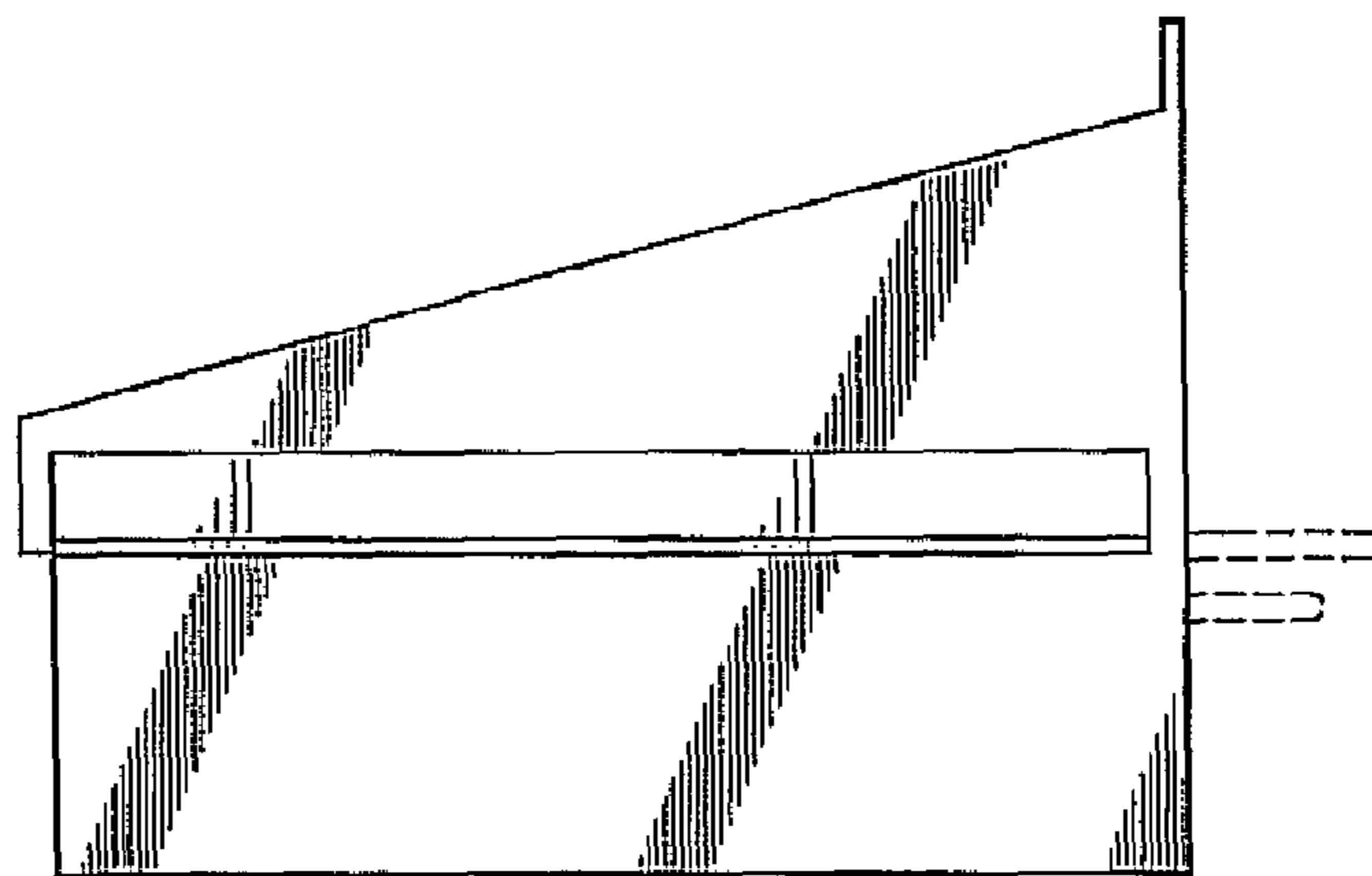


Fig-5

Fig-6



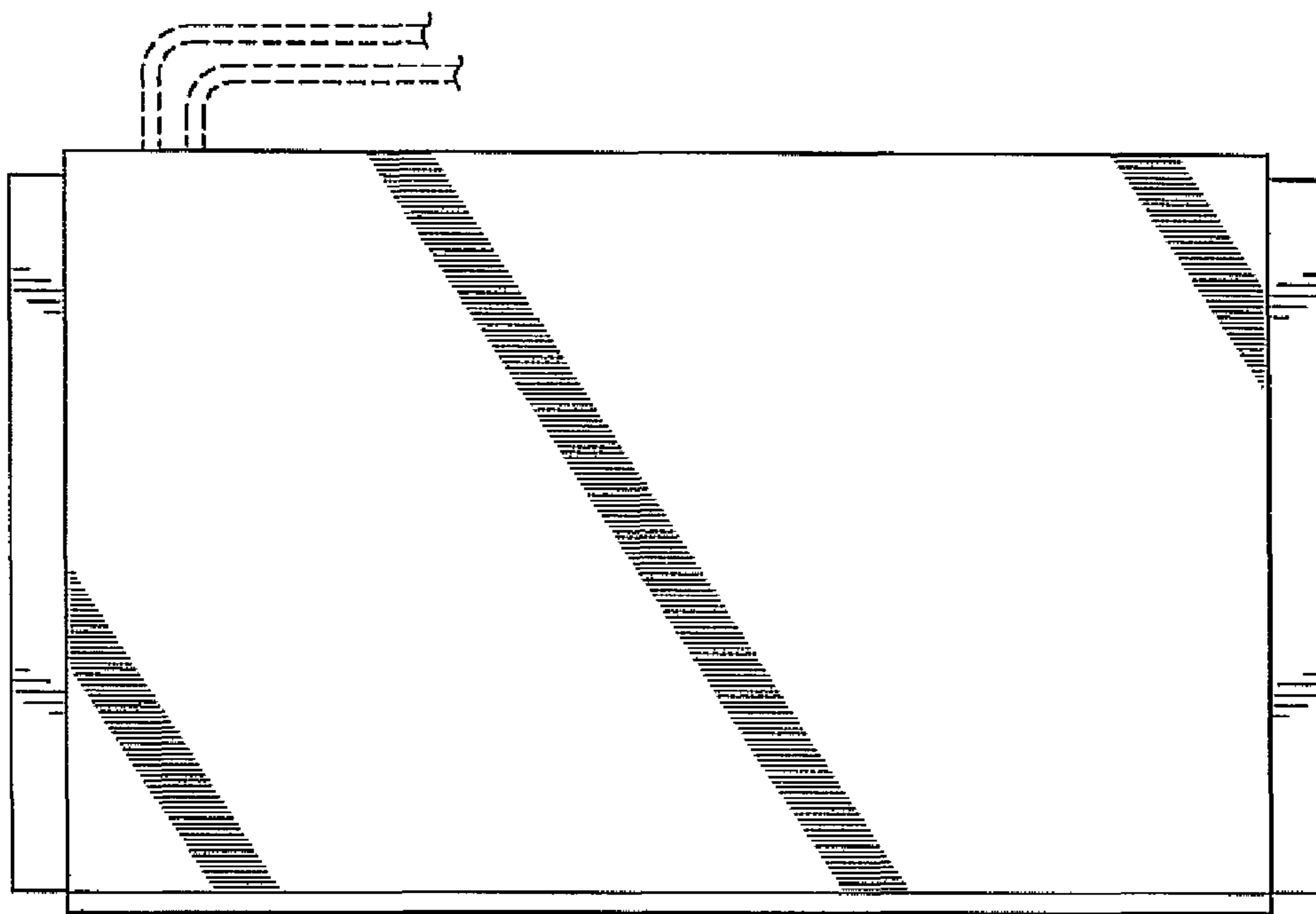


Fig-7