



US00D658880S

(12) **United States Design Patent**
Akana et al.

(10) **Patent No.:** **US D658,880 S**

(45) **Date of Patent:** **** May 8, 2012**

(54) **CASE**

(75) Inventors: **Jody Akana**, San Francisco, CA (US);
Bartley K. Andre, Menlo Park, CA
(US); **Jeremy Bataillou**, San Francisco,
CA (US); **Daniel J. Coster**, San
Francisco, CA (US); **Daniele De Iuliis**,
San Francisco, CA (US); **Evans**
Hankey, San Francisco, CA (US);
Richard P. Howarth, San Francisco, CA
(US); **Jonathan P. Ive**, San Francisco,
CA (US); **Duncan Robert Kerr**, San
Francisco, CA (US); **Shin Nishibori**,
Portola Valley, CA (US); **Matthew Dean**
Rohrbach, San Francisco, CA (US);
Peter Russell-Clarke, San Francisco,
CA (US); **Christopher J. Stringer**,
Woodside, CA (US); **Eugene Antony**
Whang, San Francisco, CA (US); **Rico**
Zorkendorfer, San Francisco, CA (US)

(73) Assignee: **Apple Inc.**, Cupertino, CA (US)

(**) Term: **14 Years**

(21) Appl. No.: **29/404,059**

(22) Filed: **Oct. 14, 2011**

Related U.S. Application Data

(63) Continuation of application No. 29/391,992, filed on
May 16, 2011, now Pat. No. Des. 649,785, which is a
continuation of application No. 29/353,322, filed on
Jan. 6, 2010, now Pat. No. Des. 637,814.

(51) **LOC (9) Cl.** **03-01**

(52) **U.S. Cl.** **D3/303**

(58) **Field of Classification Search** D3/249-253,
D3/273, 303; D19/19; 190/109, 115; 206/214
See application file for complete search history.

(56) **References Cited**

U.S. PATENT DOCUMENTS

4,432,827 A	2/1984	Graetz et al.	
4,501,361 A	2/1985	Rose, Jr.	
D283,950 S *	5/1986	Markowitz	D3/247
4,718,550 A	1/1988	Johnson	
5,145,068 A	9/1992	Schmitz et al.	
D407,432 S	3/1999	Tell	
D459,887 S	7/2002	Johnson	
6,513,836 B2	2/2003	Li	
D514,862 S	2/2006	Fair	
D516,363 S	3/2006	Fair	
D523,078 S	6/2006	Ong	
D524,051 S	7/2006	Krueger	
D552,348 S	10/2007	Martin	
D553,415 S	10/2007	Steele	
D554,859 S	11/2007	Sides et al.	
D556,193 S	11/2007	Laituri et al.	
D559,907 S	1/2008	Howe	
D582,405 S	12/2008	Andre et al.	
D599,400 S *	9/2009	Lapsker	D19/26
D637,814 S	5/2011	Akana et al.	
D649,785 S	12/2011	Akana et al.	

* cited by examiner

Primary Examiner — Holly Baynham

(74) *Attorney, Agent, or Firm* — Sterne, Kessler,
Goldstein & Fox PLLC

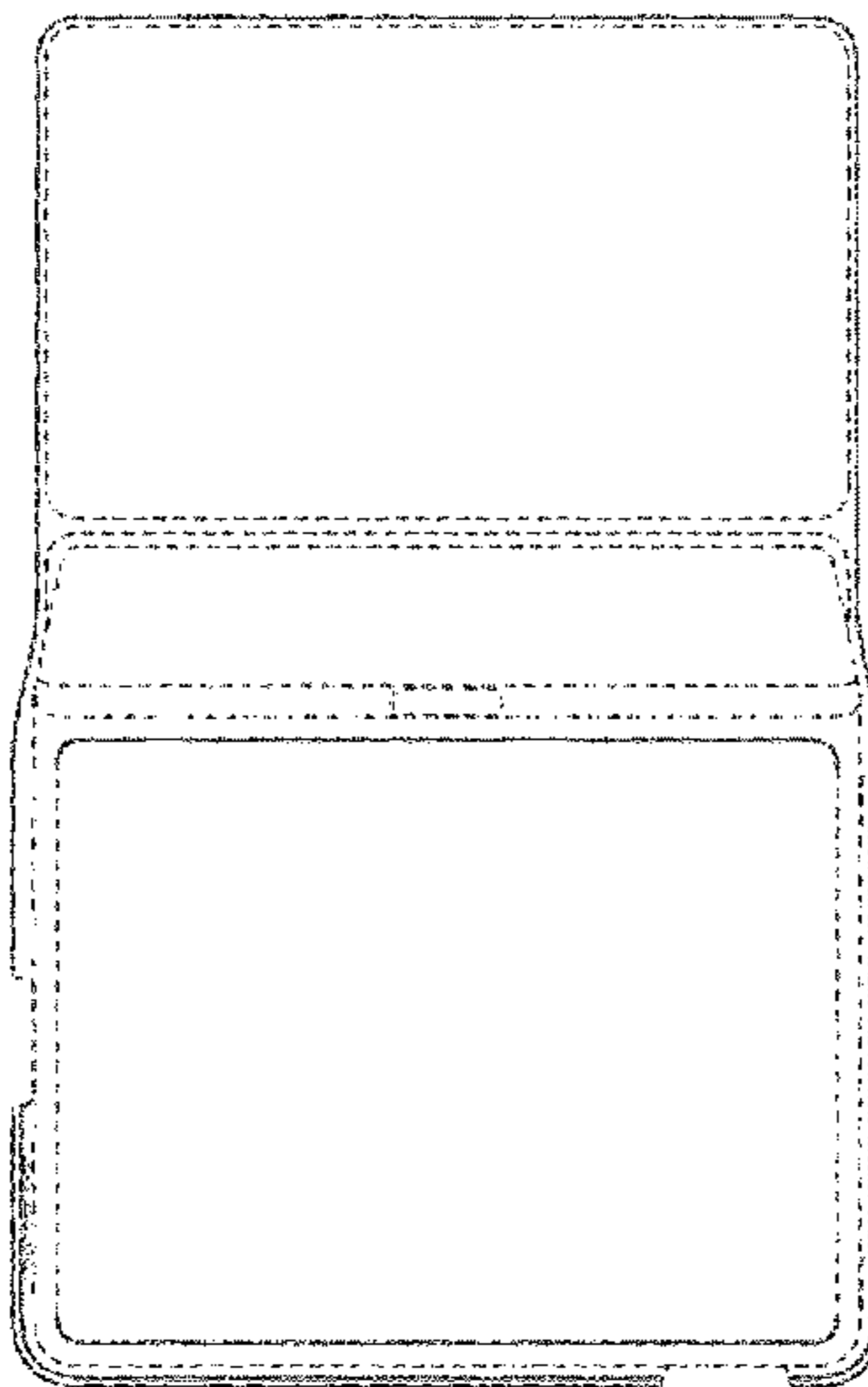
(57) **CLAIM**

The ornamental design for a case, as shown and described.

DESCRIPTION

FIG. 1 is a top plan view of a case showing our new design.
The case is shown in an open position;
FIG. 2 is another top plan view thereof with the unclaimed
flap in a closed position;
FIG. 3 is a rear view thereof; and,
FIG. 4 is a front perspective view thereof showing the case in
a closed position;
The broken lines showing a portion of the case are for the
purposes of illustrating environment and form no part of the
claimed design.

1 Claim, 2 Drawing Sheets



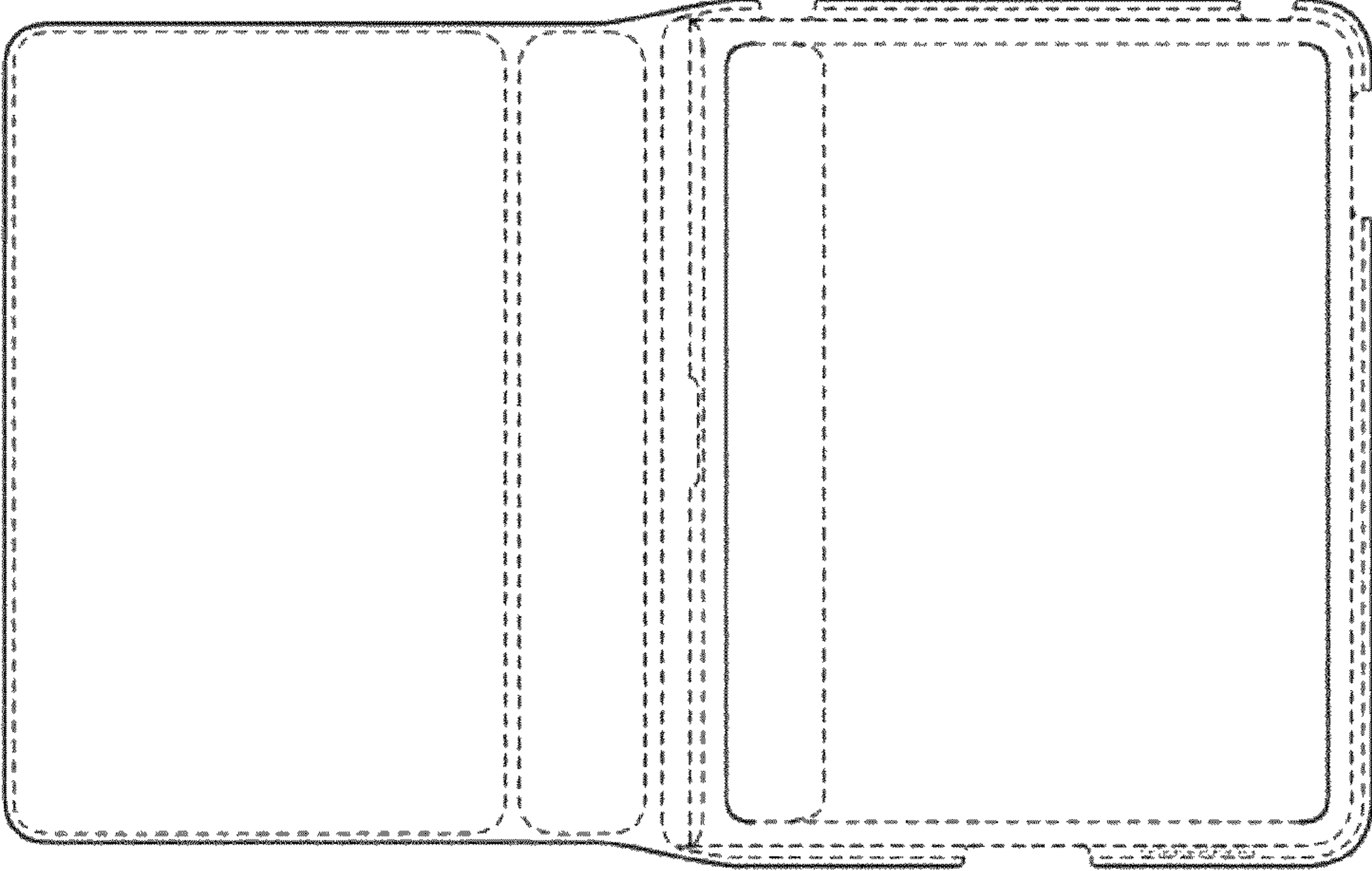


FIG. 2

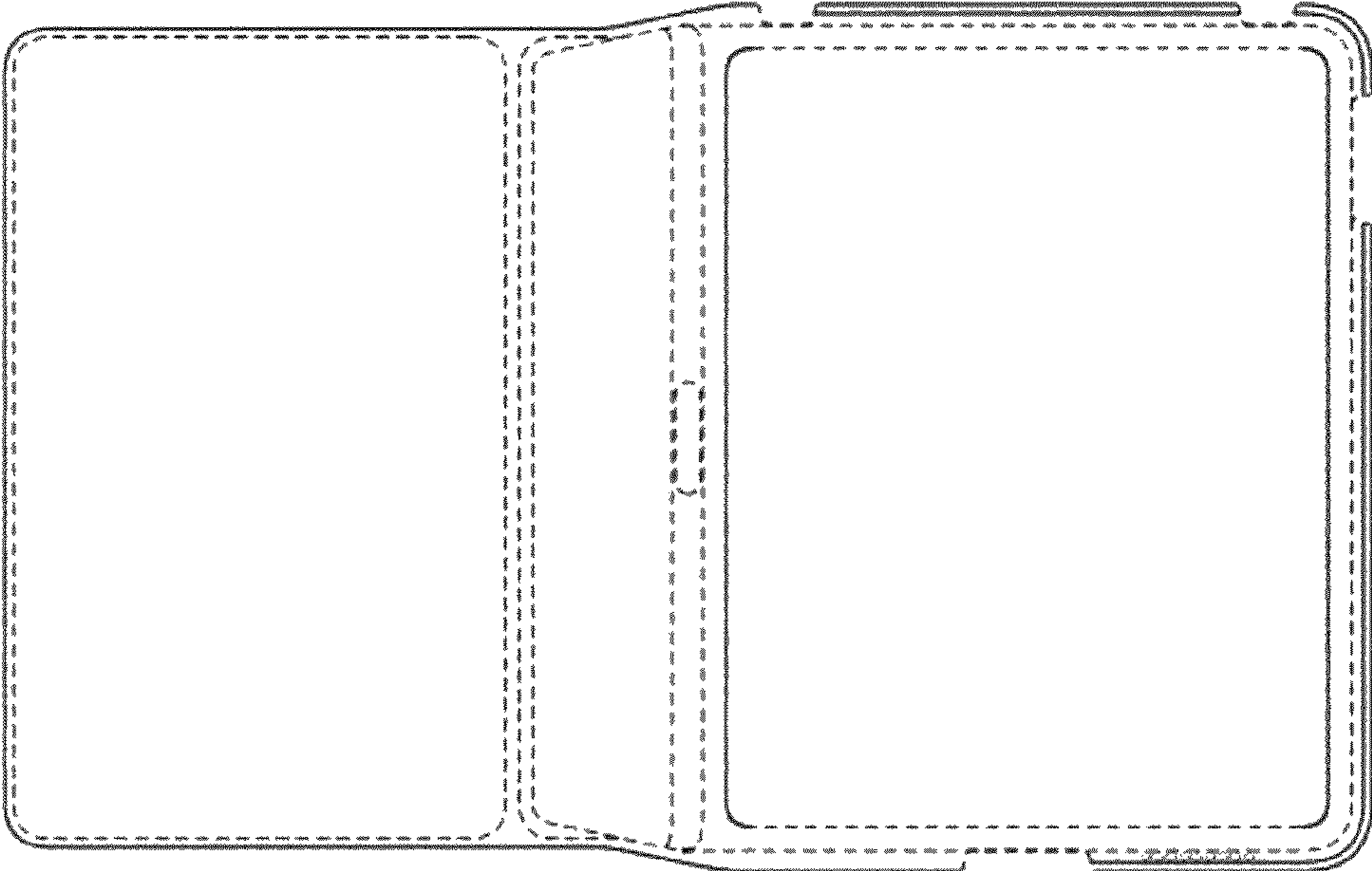


FIG. 1

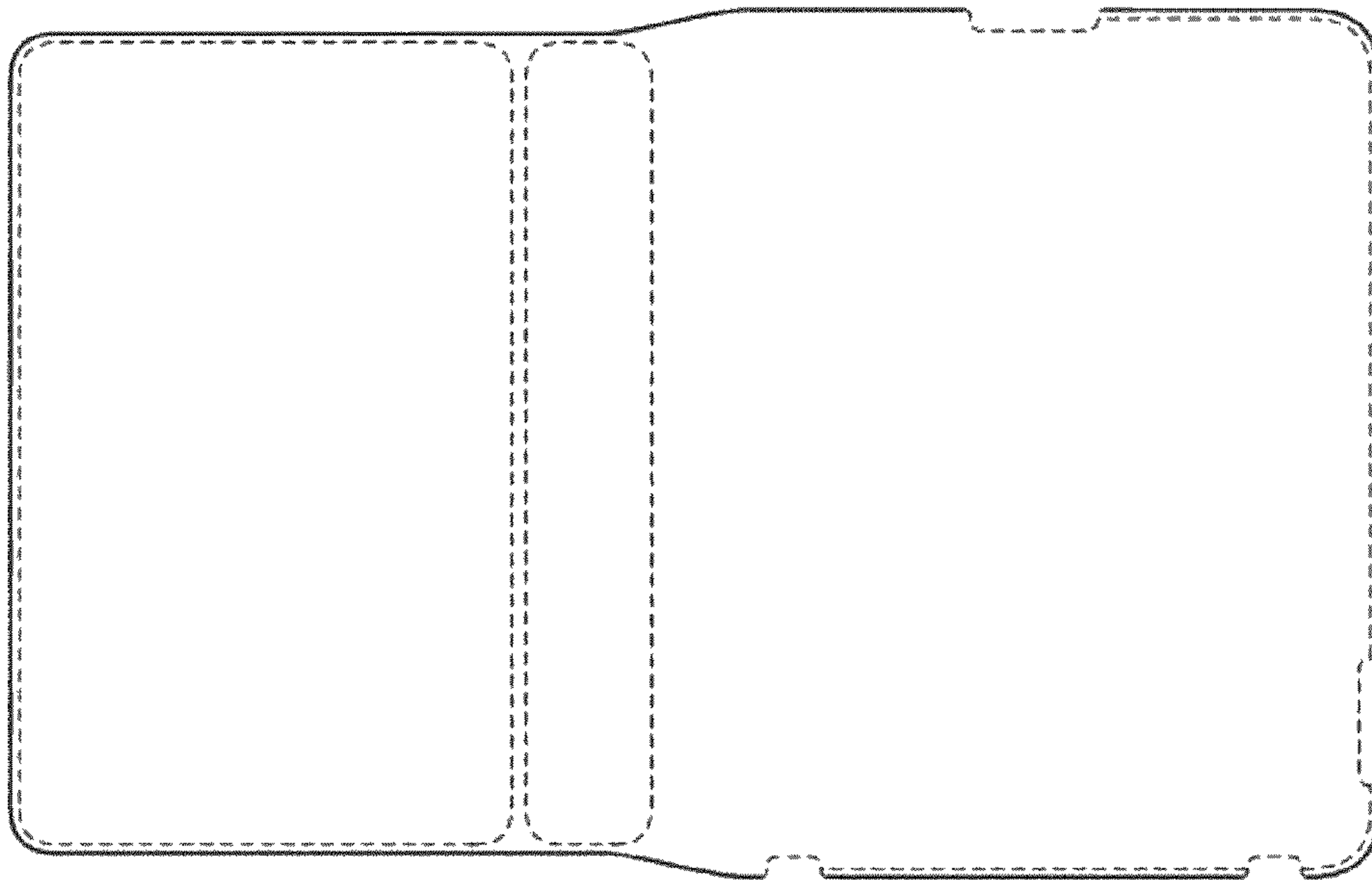


FIG. 3

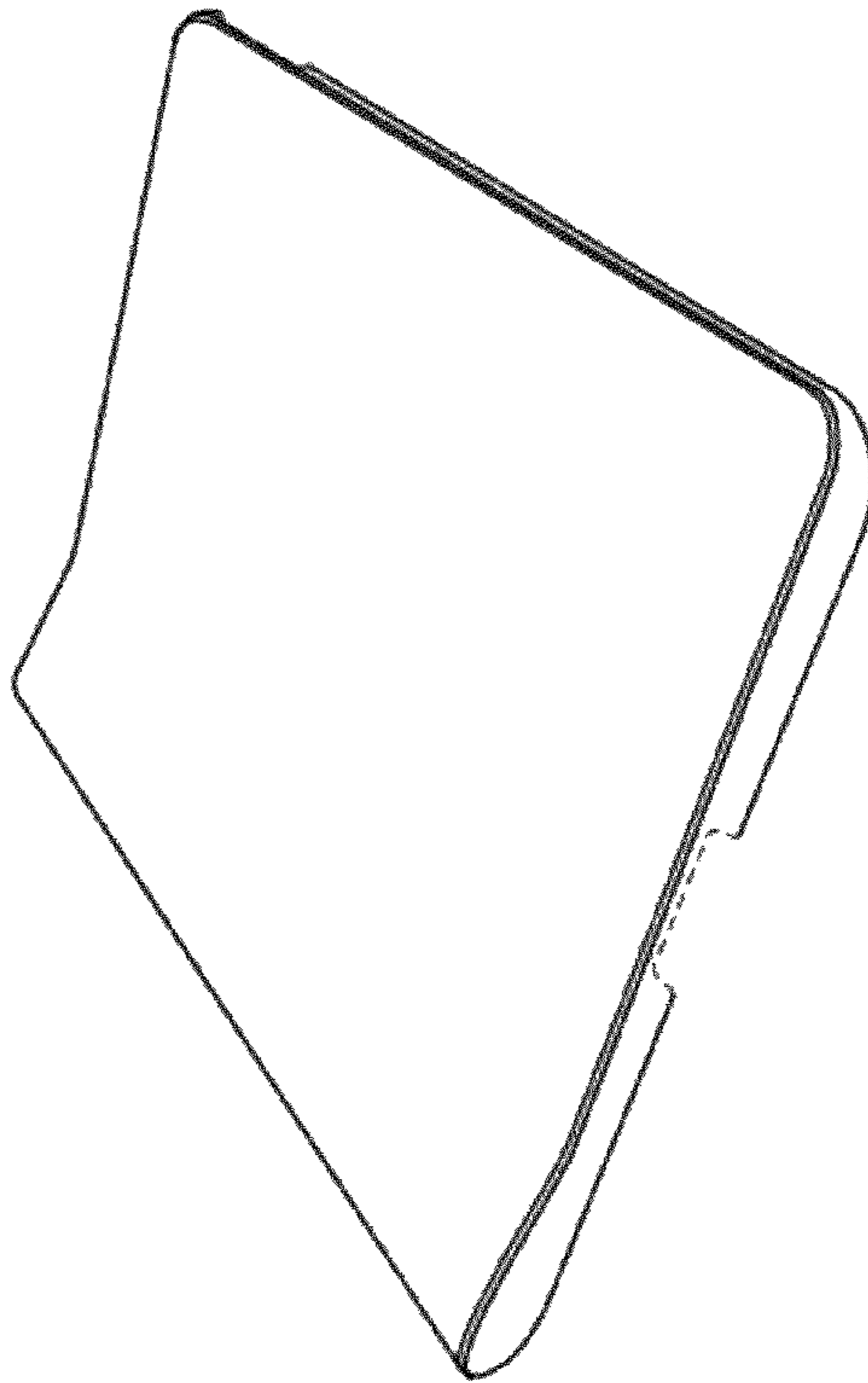


FIG. 4

UNITED STATES PATENT AND TRADEMARK OFFICE
CERTIFICATE OF CORRECTION

PATENT NO. : D658,880 S
APPLICATION NO. : 29/404059
DATED : May 8, 2012
INVENTOR(S) : Jody Akana et al.

Page 1 of 3

It is certified that error appears in the above-identified patent and that said Letters Patent is hereby corrected as shown below:

Title page, showing Fig. 1 should be deleted and substitute therefor the title page as shown on the attached page.

Drawings:

Fig. 1 should be deleted and replaced with Fig. 1 shown on the attached page.

Signed and Sealed this
Thirtieth Day of April, 2013



Teresa Stanek Rea
Acting Director of the United States Patent and Trademark Office

(12) **United States Design Patent** (10) **Patent No.:** **US D658,880 S**
Akana et al. (45) **Date of Patent:** **** May 8, 2012**

(54) **CASE**

(75) **Inventors:** **Jody Akana**, San Francisco, CA (US); **Bartley K. Andre**, Menlo Park, CA (US); **Jeremy Bataillou**, San Francisco, CA (US); **Daniel J. Coster**, San Francisco, CA (US); **Daniele De Iullis**, San Francisco, CA (US); **Evans Hankey**, San Francisco, CA (US); **Richard P. Howarth**, San Francisco, CA (US); **Jonathan P. Ive**, San Francisco, CA (US); **Duncan Robert Kerr**, San Francisco, CA (US); **Shin Nishibori**, Portola Valley, CA (US); **Matthew Dean Rohrbach**, San Francisco, CA (US); **Peter Russell-Clarke**, San Francisco, CA (US); **Christopher J. Stringer**, Woodside, CA (US); **Eugene Antony Whang**, San Francisco, CA (US); **Rico Zorkendorfer**, San Francisco, CA (US)

(73) **Assignee:** **Apple Inc.**, Cupertino, CA (US)

(**) **Term:** **14 Years**

(21) **Appl. No.:** **29/404,059**

(22) **Filed:** **Oct. 14, 2011**

Related U.S. Application Data

(63) Continuation of application No. 29/391,992, filed on May 16, 2011, now Pat. No. Des. 649,785, which is a continuation of application No. 29/353,322, filed on Jan. 6, 2010, now Pat. No. Des. 637,814.

(51) **LOC (9) Cl.** **03-01**

(52) **U.S. Cl.** **D3/303**

(58) **Field of Classification Search** **D3/249-253, D3/273, 303; D19/19; 190/109, 115; 206/214**
 See application file for complete search history.

(56) **References Cited**

U.S. PATENT DOCUMENTS

4,432,827 A	2/1984	Graetz et al.	
4,501,361 A	2/1985	Rose, Jr.	
D283,950 S *	5/1986	Markowitz	D3/247
4,718,550 A	1/1988	Johnson	
5,145,068 A	9/1992	Schmitz et al.	
D407,432 S	3/1999	Tell	
D459,887 S	7/2002	Johnson	
6,513,836 B2	2/2003	Li	
D514,862 S	2/2006	Fair	
D516,363 S	3/2006	Fair	
D523,078 S	6/2006	Ong	
D524,051 S	7/2006	Krueger	
D552,348 S	10/2007	Martin	
D553,415 S	10/2007	Steele	
D554,859 S	11/2007	Sides et al.	
D556,193 S	11/2007	Laituri et al.	
D559,907 S	1/2008	Howe	
D582,405 S	12/2008	Andre et al.	
D599,400 S *	9/2009	Lapsker	D19/26
D637,814 S	5/2011	Akana et al.	
D649,785 S	12/2011	Akana et al.	

* cited by examiner

Primary Examiner — Holly Baynham

(74) *Attorney, Agent, or Firm* — Sterne, Kessler, Goldstein & Fox PLLC

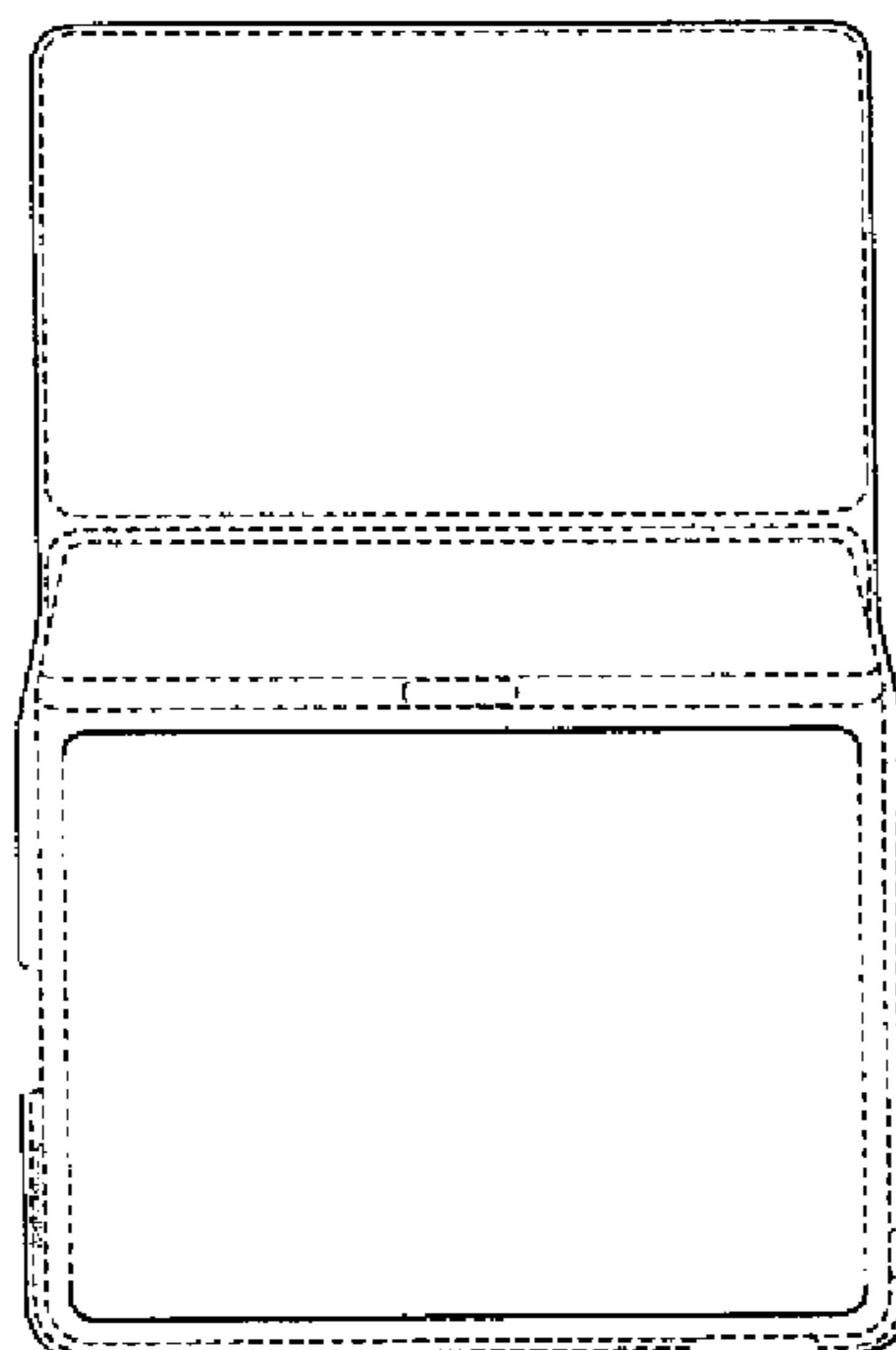
(57) **CLAIM**

The ornamental design for a case, as shown and described.

DESCRIPTION

FIG. 1 is a top plan view of a case showing our new design. The case is shown in an open position; FIG. 2 is another top plan view thereof with the unclaimed flap in a closed position; FIG. 3 is a rear view thereof; and, FIG. 4 is a front perspective view thereof showing the case in a closed position; The broken lines showing a portion of the case are for the purposes of illustrating environment and form no part of the claimed design.

1 Claim, 2 Drawing Sheets



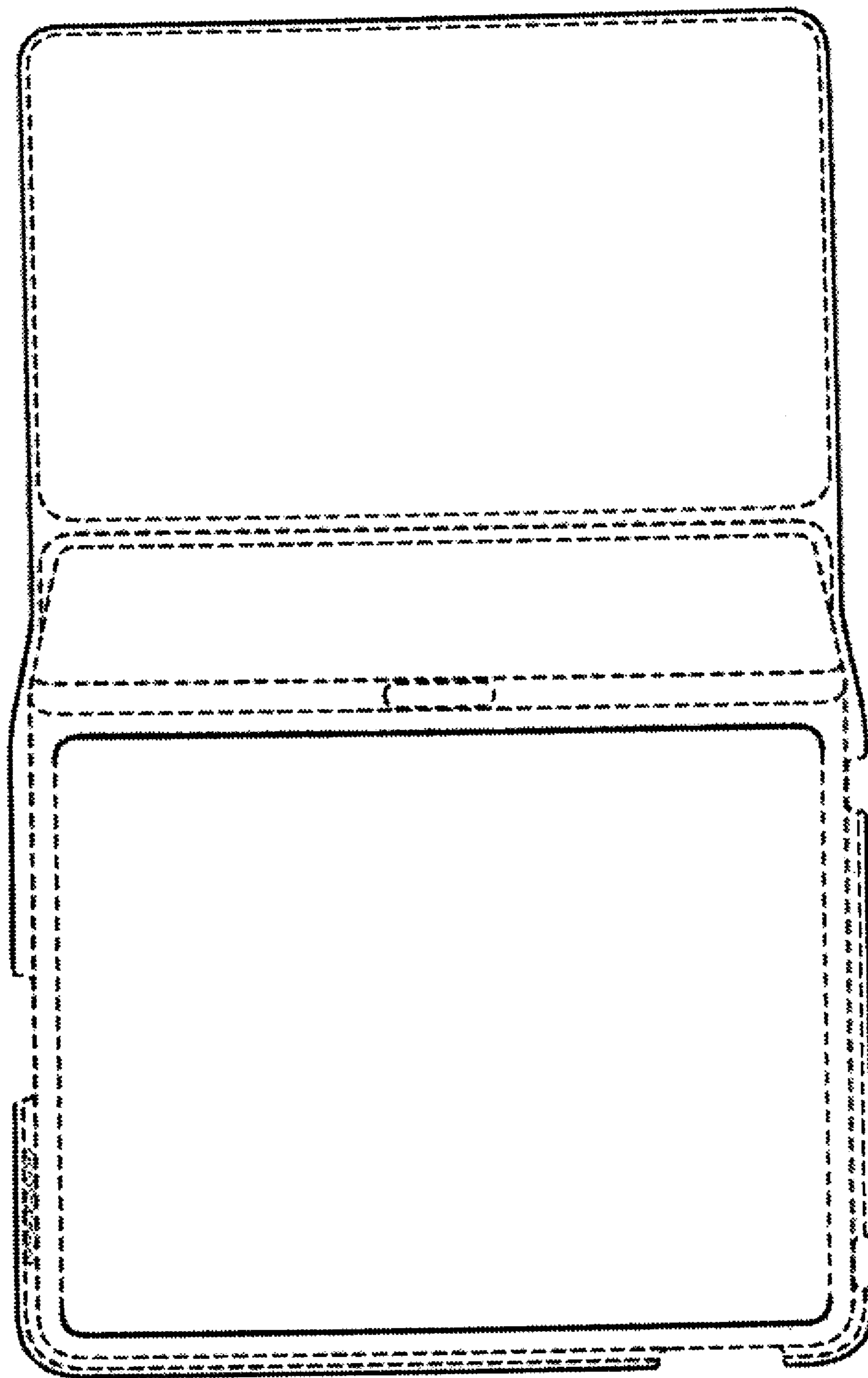


FIG. 1